



US00D911515S

(12) **United States Design Patent** (10) **Patent No.:** **US D911,515 S**
Koschany et al. (45) **Date of Patent:** **** Feb. 23, 2021**

(54) **NASAL CANNULA**
(71) Applicant: **medin Medical Innovations GmbH**,
Olching (DE)
(72) Inventors: **Angelika Koschany**, Olching (DE);
Stefan Mader, Aichach (DE); **Tim**
Beier, Diedorf (DE)
(73) Assignee: **MEDIN MEDICAL INNOVATIONS**
GMBH, Olching (DE)
(**) Term: **15 Years**

(21) Appl. No.: **29/644,856**
(22) Filed: **Apr. 20, 2018**

(30) **Foreign Application Priority Data**
Mar. 21, 2018 (EM) 004875003
(51) **LOC (13) Cl.** **24-02**
(52) **U.S. Cl.**
USPC **D24/110.5**
(58) **Field of Classification Search**
USPC D24/108, 110, 110.5, 111, 112, 128
CPC A61M 16/0666; A61M 16/0672; A61M
2202/0208; A61M 16/0683
See application file for complete search history.

(56) **References Cited**
U.S. PATENT DOCUMENTS
4,278,082 A * 7/1981 Blackmer A61M 16/0672
128/207.18
D752,735 S * 3/2016 Scampoli D24/110.5
D859,646 S * 9/2019 Scampoli D24/112

2008/0185007 A1* 8/2008 Sleeper A61M 16/06
128/207.18
2011/0067704 A1* 3/2011 Kooij A61M 16/0666
128/207.18
2011/0125052 A1* 5/2011 Davenport A61M 16/0051
600/561
2013/0211275 A1* 8/2013 Curti A61M 16/0666
600/543
2016/0158476 A1* 6/2016 Tatkov A61M 16/0688
128/203.22
2016/0175548 A1* 6/2016 Spence A61M 16/16
128/203.22
2016/0235937 A1* 8/2016 Ronayne A61M 16/0605
2019/0217038 A1* 7/2019 O'Connor A61M 16/0666
2019/0328990 A1* 10/2019 Cortez, Jr. A61M 16/0666

* cited by examiner

Primary Examiner — Lilyana Bekic
(74) *Attorney, Agent, or Firm* — Wuersch & Gering LLP

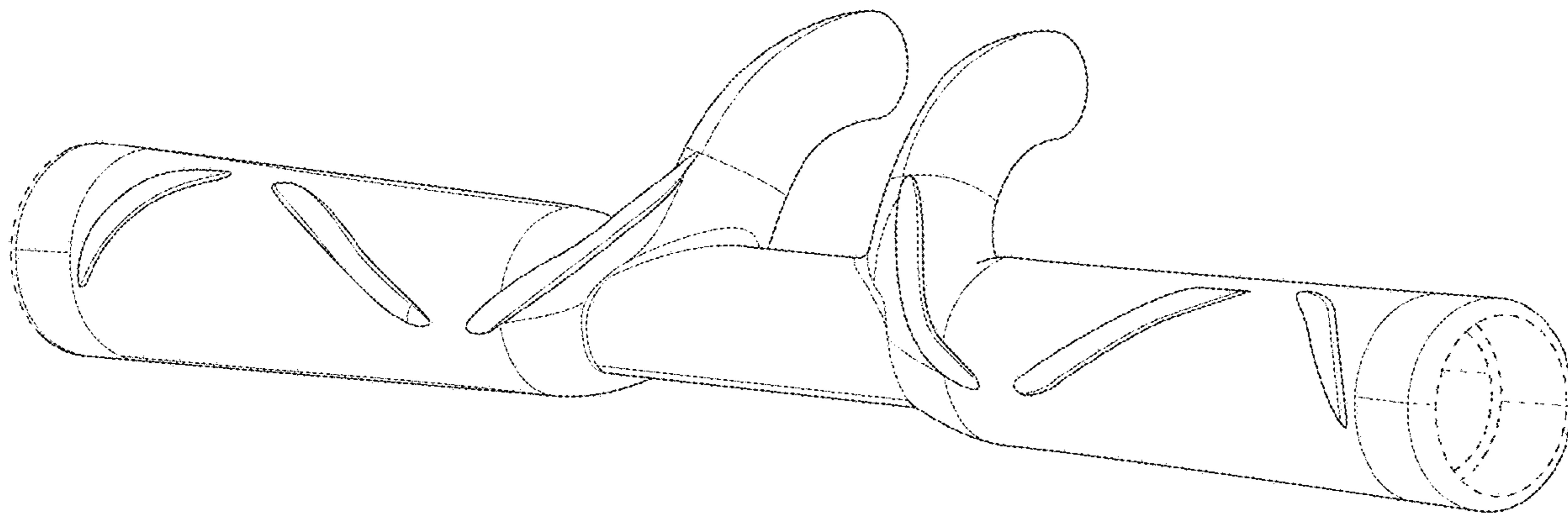
(57) **CLAIM**

The ornamental design for a nasal cannula, as shown and described.

DESCRIPTION

FIG. 1 is a rear elevational view of the nasal cannula, showing our new design;
FIG. 2 is a bottom plan view thereof;
FIG. 3 is a front elevational view thereof;
FIG. 4 is a left side elevational view thereof;
FIG. 5 is a right side elevational view thereof;
FIG. 6 is a top plan view thereof; and,
FIG. 7 is a front and right side perspective view of the nasal cannula of FIG. 1.
The broken lines in the drawings depict portions of the nasal cannula that form no part of the claimed design.

1 Claim, 7 Drawing Sheets



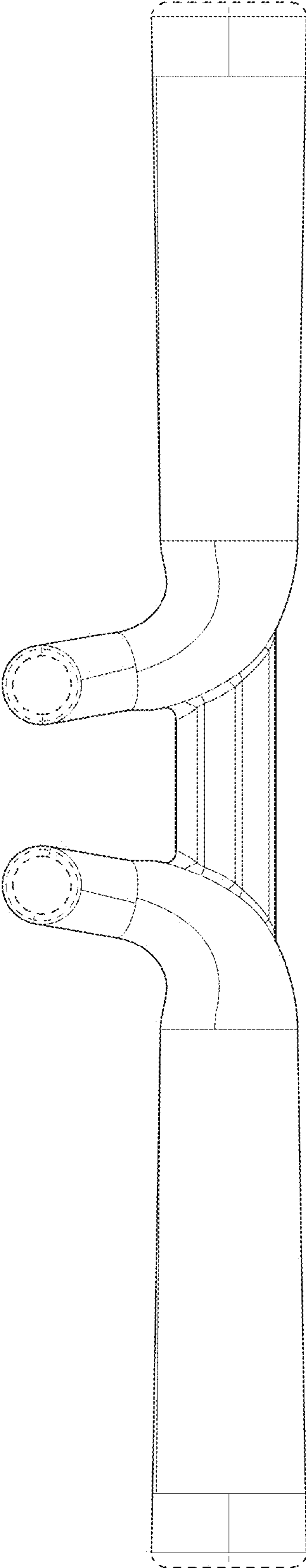


Figure 1

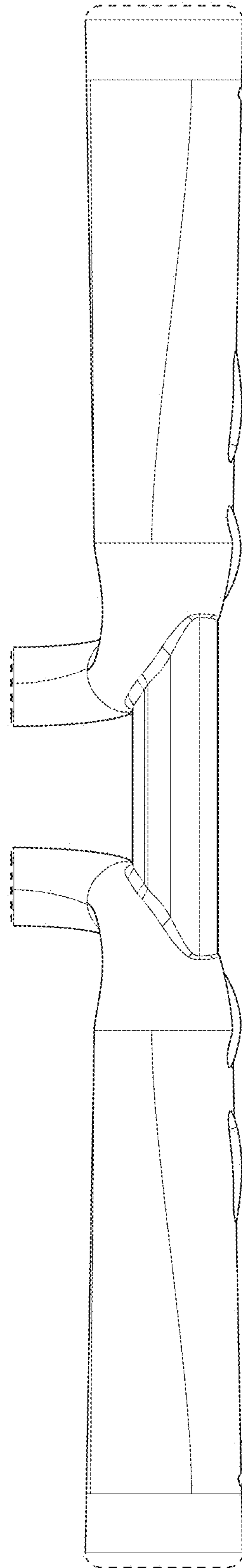


Figure 2

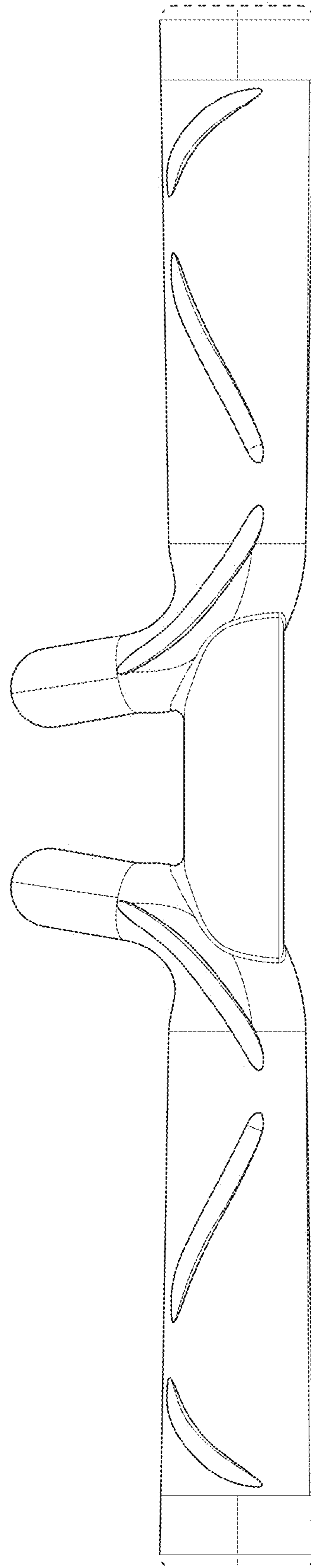


Figure 3

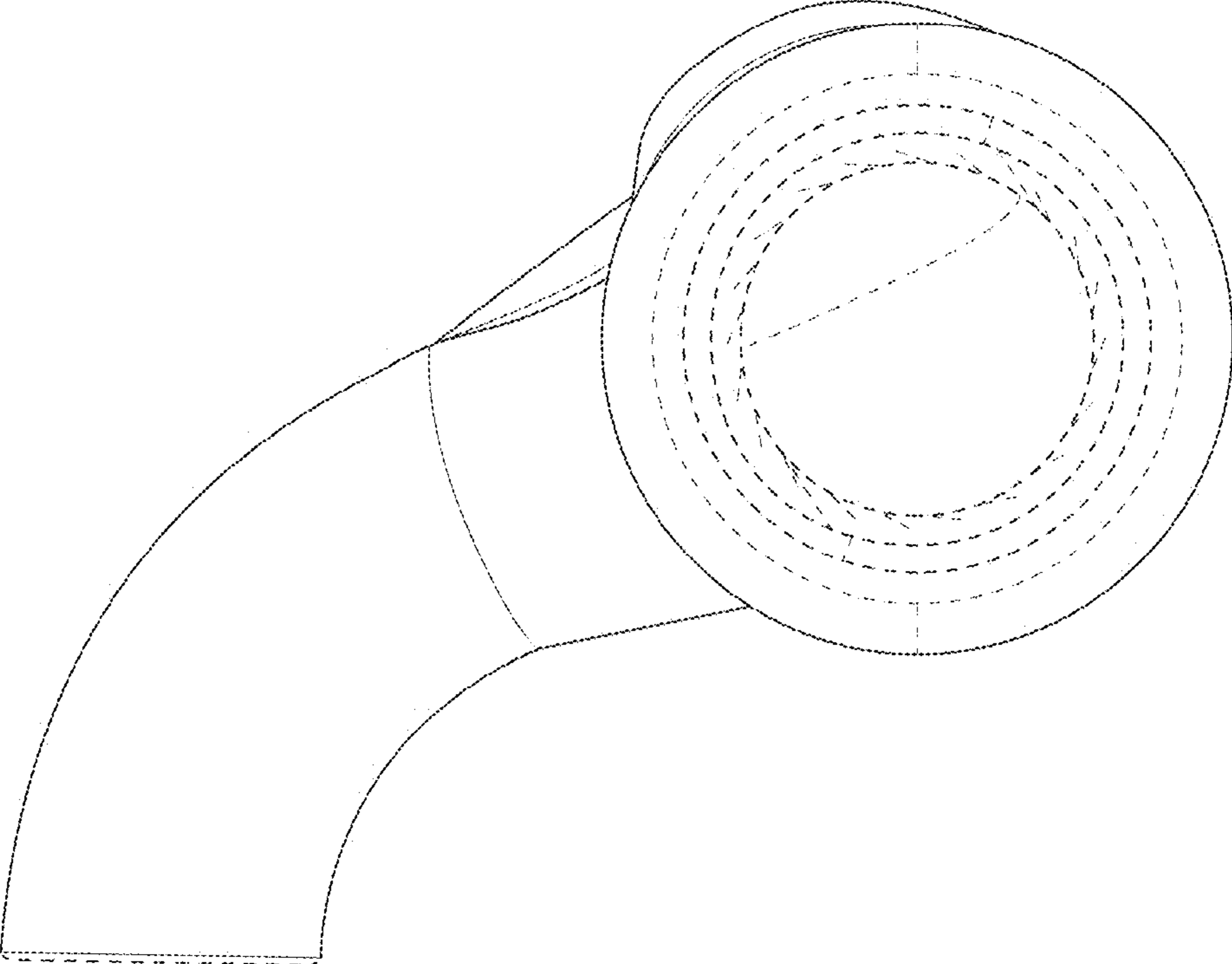


Figure 4

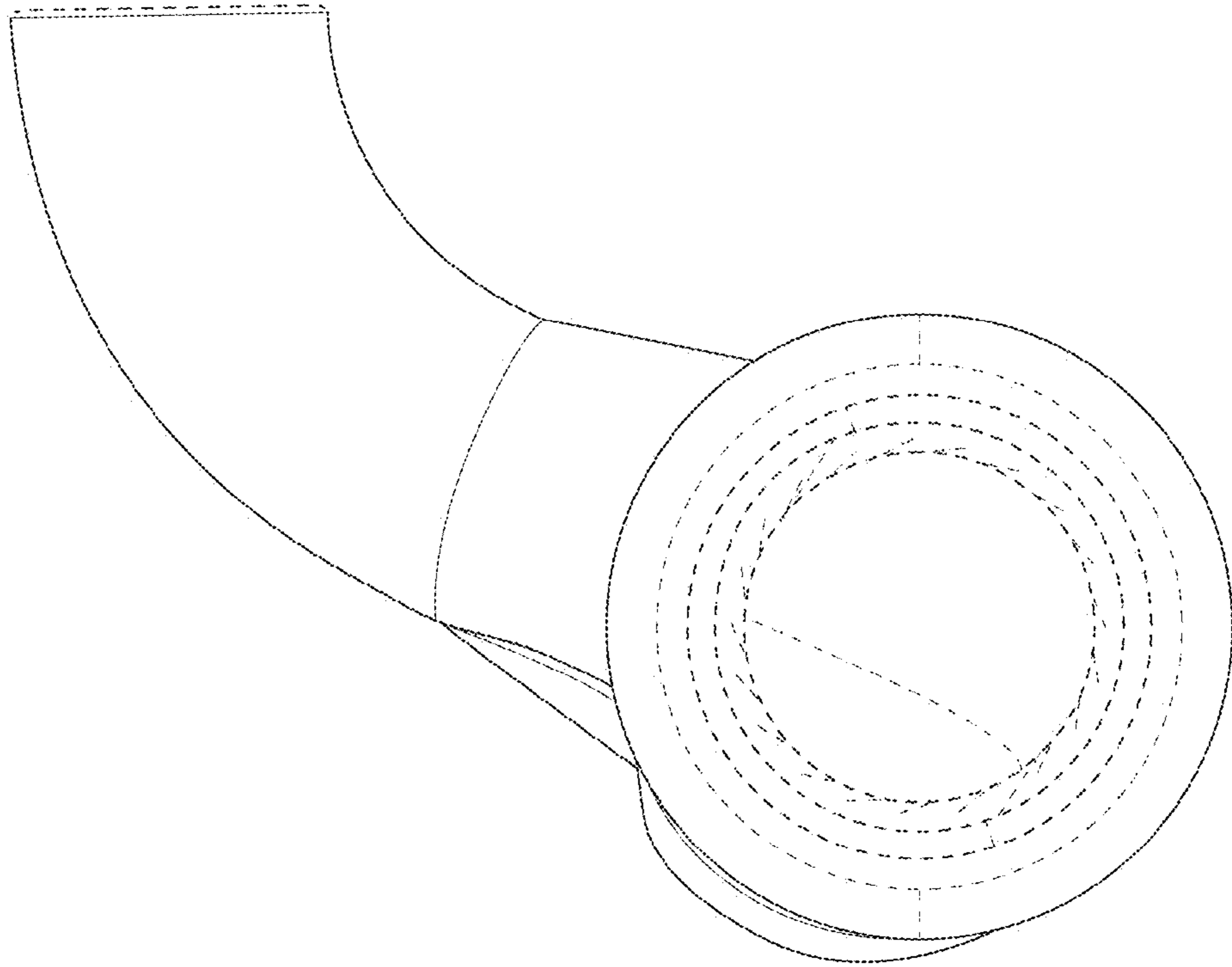


Figure 5

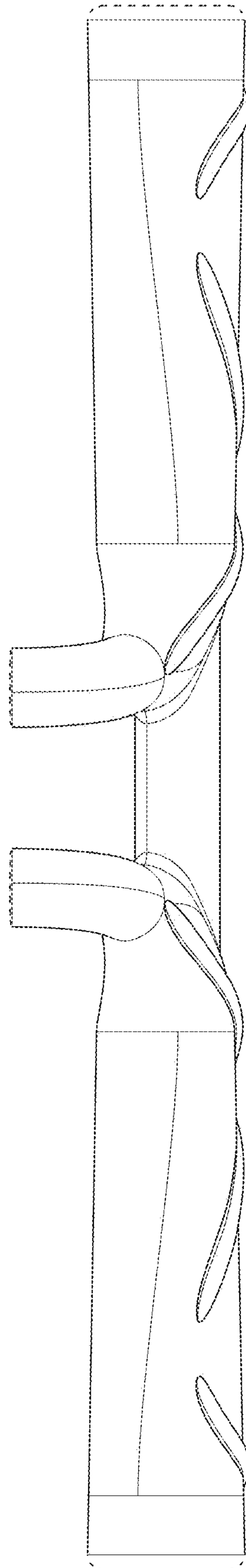


Figure 6

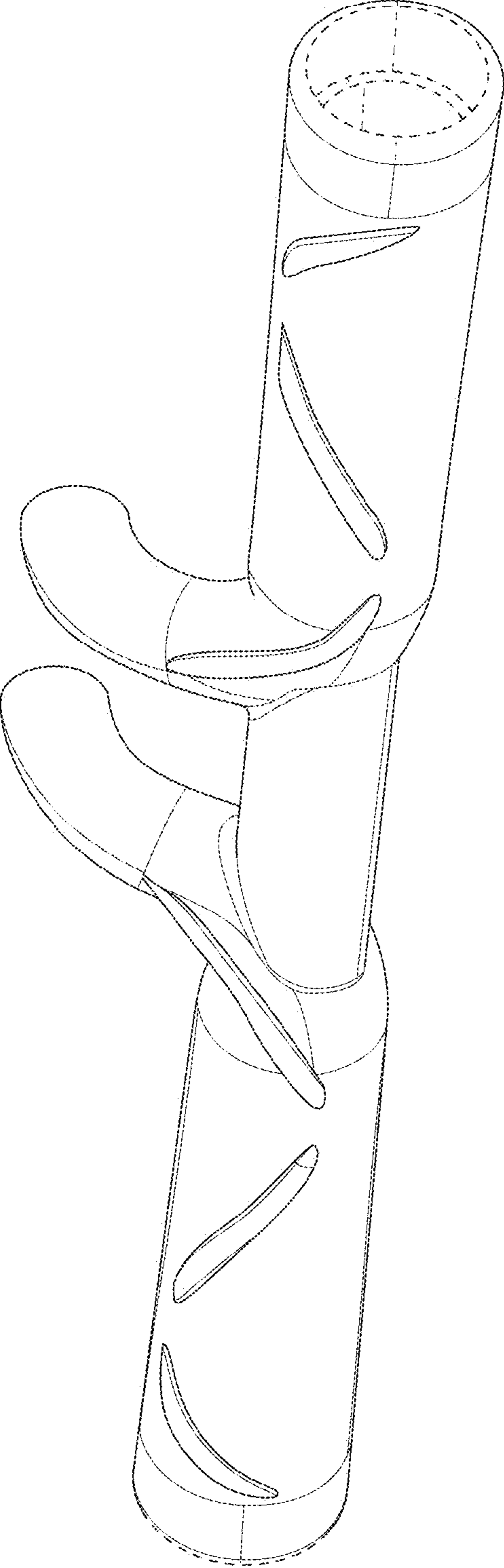


Figure 7