



US00D911514S

(12) **United States Design Patent** (10) **Patent No.:** **US D911,514 S**  
**Pelzl et al.** (45) **Date of Patent:** **\*\* Feb. 23, 2021**

(54) **BREAST PUMP**

CPC ..... A61M 1/06; A61M 1/062; A61M 1/064;  
A61M 1/0031; A61M 1/0072; A61M  
2205/3344

(71) Applicant: **MAM Babyartikel Gesellschaft  
m.b.H., Vienna (AT)**

See application file for complete search history.

(72) Inventors: **Philipp Pelzl**, Rosenheim (DE);  
**Vanessa Ramster**, Munich (DE);  
**Herfried Schwarz**, Klosterneuburg  
(AT); **Peter Roehrig**, Vienna (AT);  
**Philip Zeitler**, Munich (DE); **Andreas  
Beer**, Munich (DE); **Thomas  
Rohaczek**, Vienna (AT)

(56) **References Cited**

U.S. PATENT DOCUMENTS

D326,516	S	*	5/1992	Chambers	.....	D24/109
D688,785	S	*	8/2013	Cudworth	.....	D24/109
D701,955	S	*	4/2014	Thomas	.....	D24/109
D776,803	S	*	1/2017	Gilbert	.....	D24/109
D796,026	S	*	8/2017	Holtz	.....	D24/109
D808,006	S	*	1/2018	Zhang	.....	D24/109
D810,925	S	*	2/2018	Zhang	.....	D24/109
D852,350	S	*	6/2019	Gilbert	.....	D24/109
D867,574	S	*	11/2019	Gilbert	.....	D24/109
D871,566	S	*	12/2019	Zhang	.....	D24/109

(\*\*) Term: **15 Years**

\* cited by examiner

(21) Appl. No.: **35/506,925**

(22) Filed: **Jan. 15, 2019**

*Primary Examiner* — Samantha Q Lawrence

(80) **Hague Agreement Data**

Int. Filing Date: **Jan. 15, 2019**  
Int. Reg. No.: **DM/201284**  
Int. Reg. Date: **Jan. 15, 2019**  
Int. Reg. Pub. Date: **Jun. 14, 2019**

(57) **CLAIM**

The ornamental design for breast pumps, as shown and described.

(30) **Foreign Application Priority Data**

Jul. 17, 2018 (EM) ..... 005504875

**DESCRIPTION**

(51) **LOC (13) Cl.** ..... **24-02**

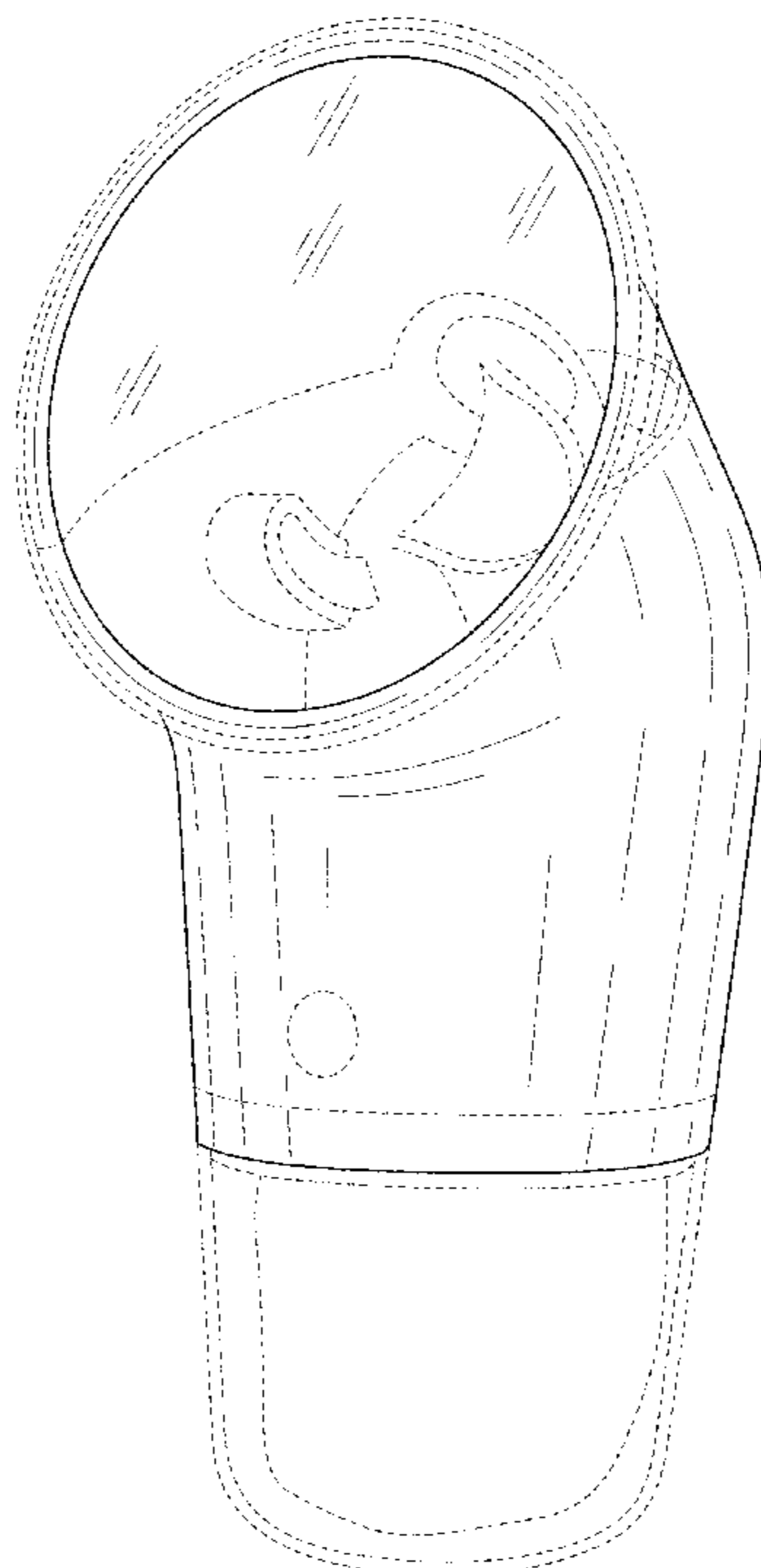
(52) **U.S. Cl.**  
USPC ..... **D24/109**

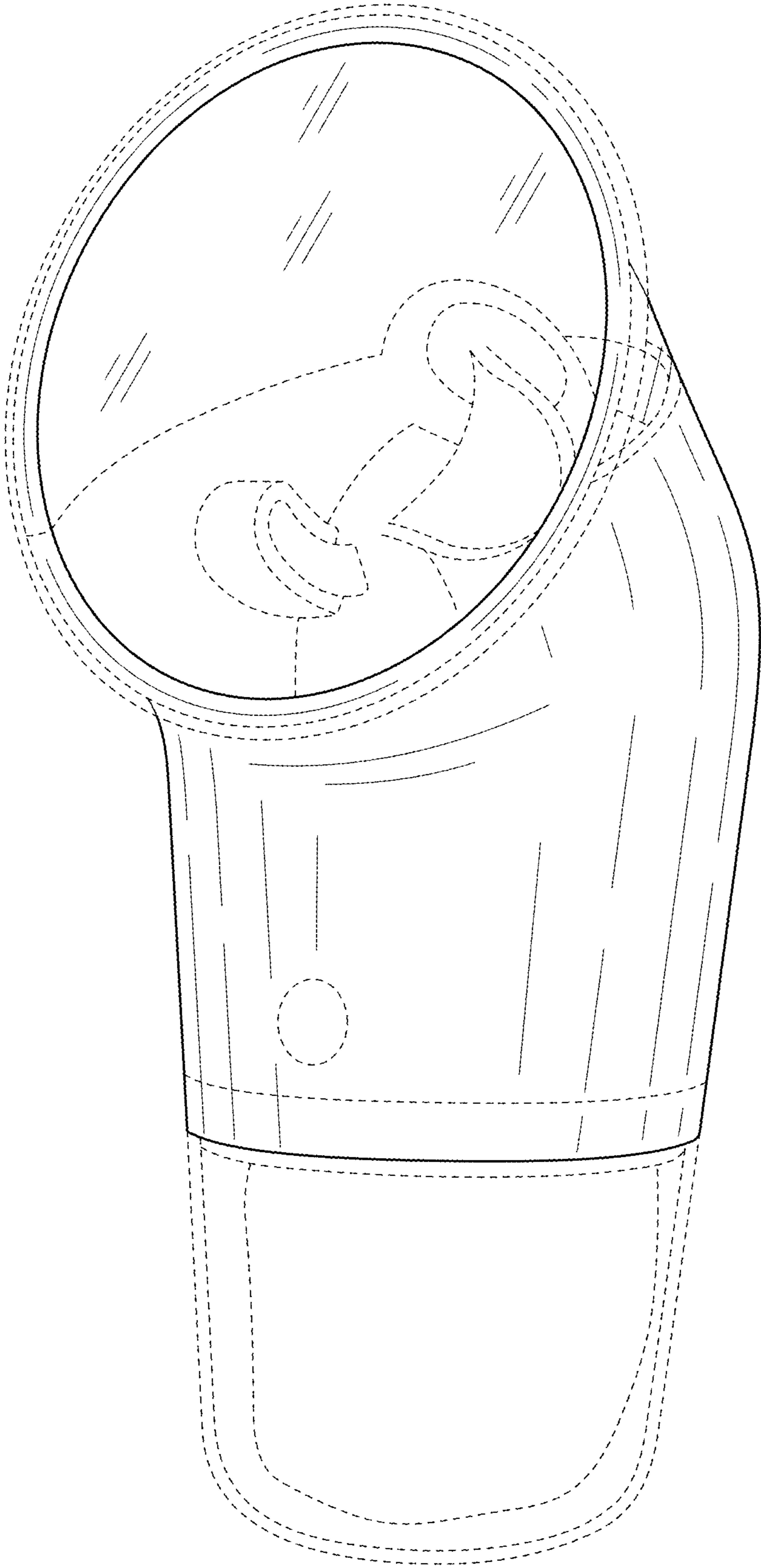
(58) **Field of Classification Search**  
USPC ..... D24/107, 109, 121, 193, 197, 209;  
D7/700

Figure 6.1 is a perspective view of a breast pump;  
Figure 6.2 is a front view thereof;  
Figure 6.3 is a back view thereof;  
Figure 6.4 is a side view thereof; and  
Figure 6.5 is another side view thereof;  
Figure 6.6 is a top view thereof; and  
Figure 6.7 is a bottom view thereof.

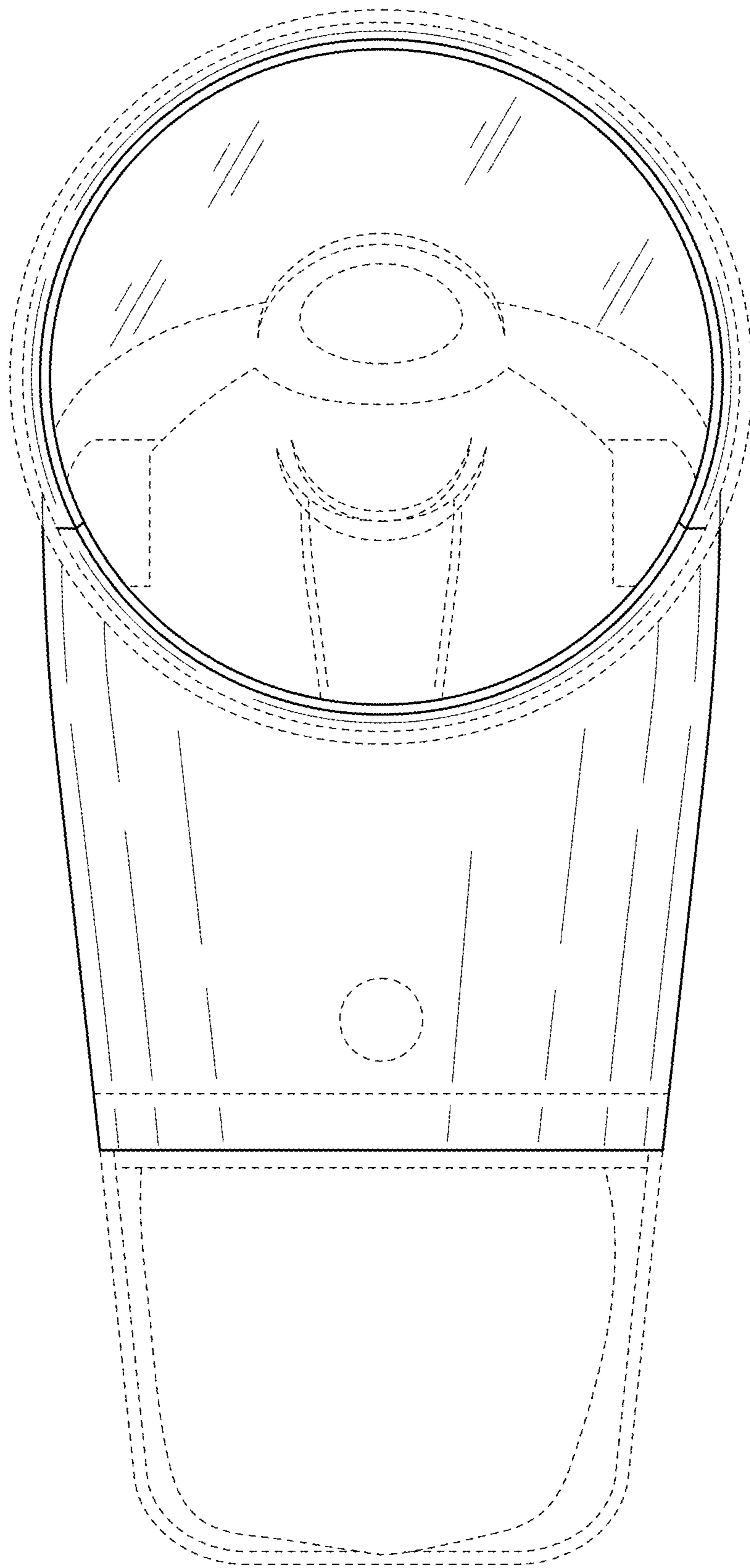
The broken lines shown in Figures 6.1-6.7 illustrate portions of the breast pump that form no part of the claimed design.

**1 Claim, 7 Drawing Sheets**

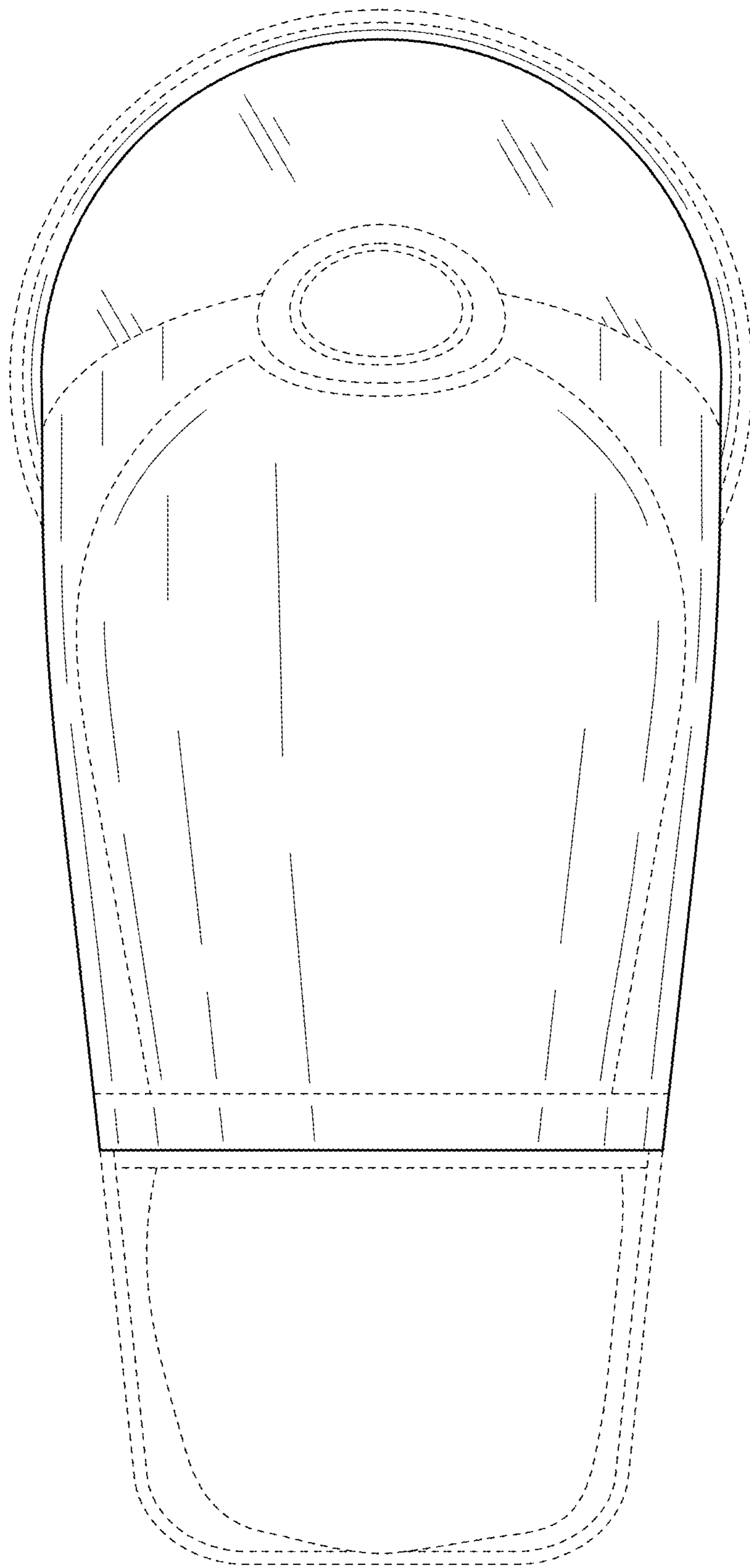


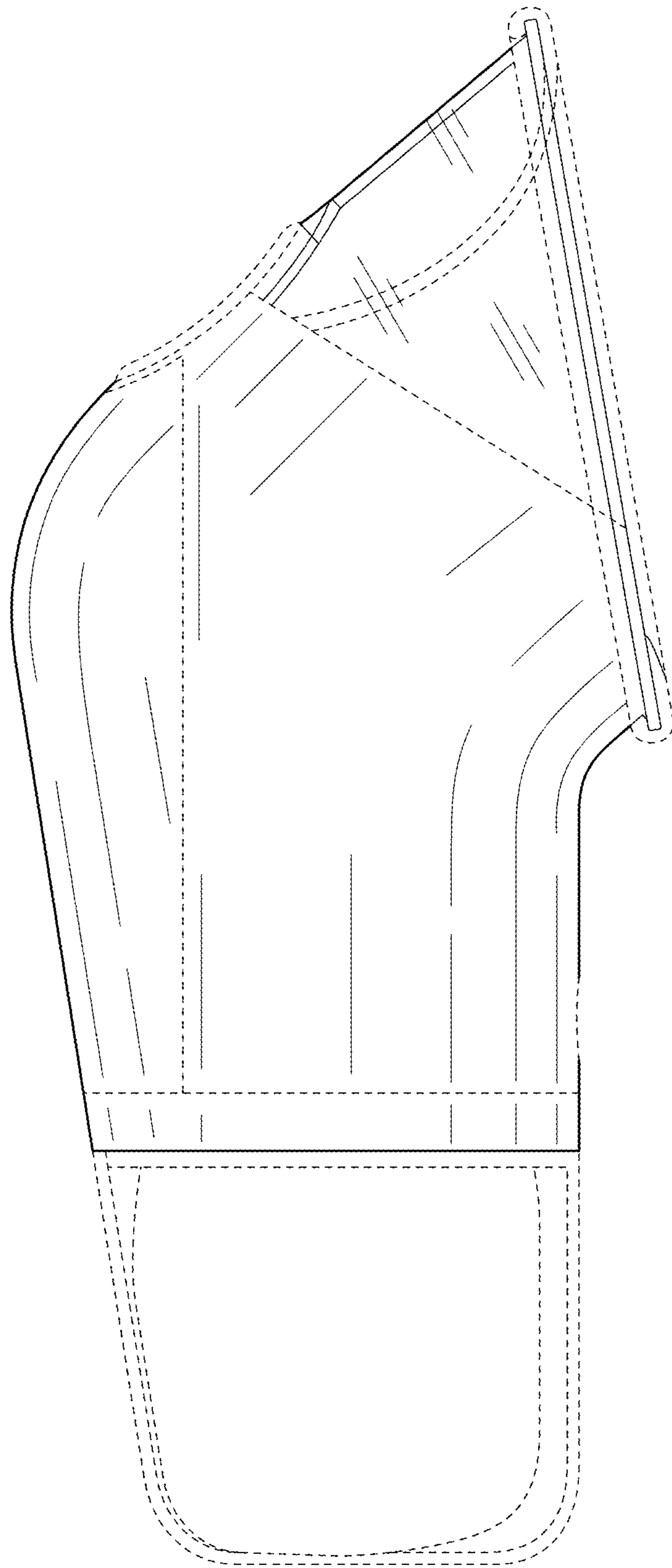


6.1



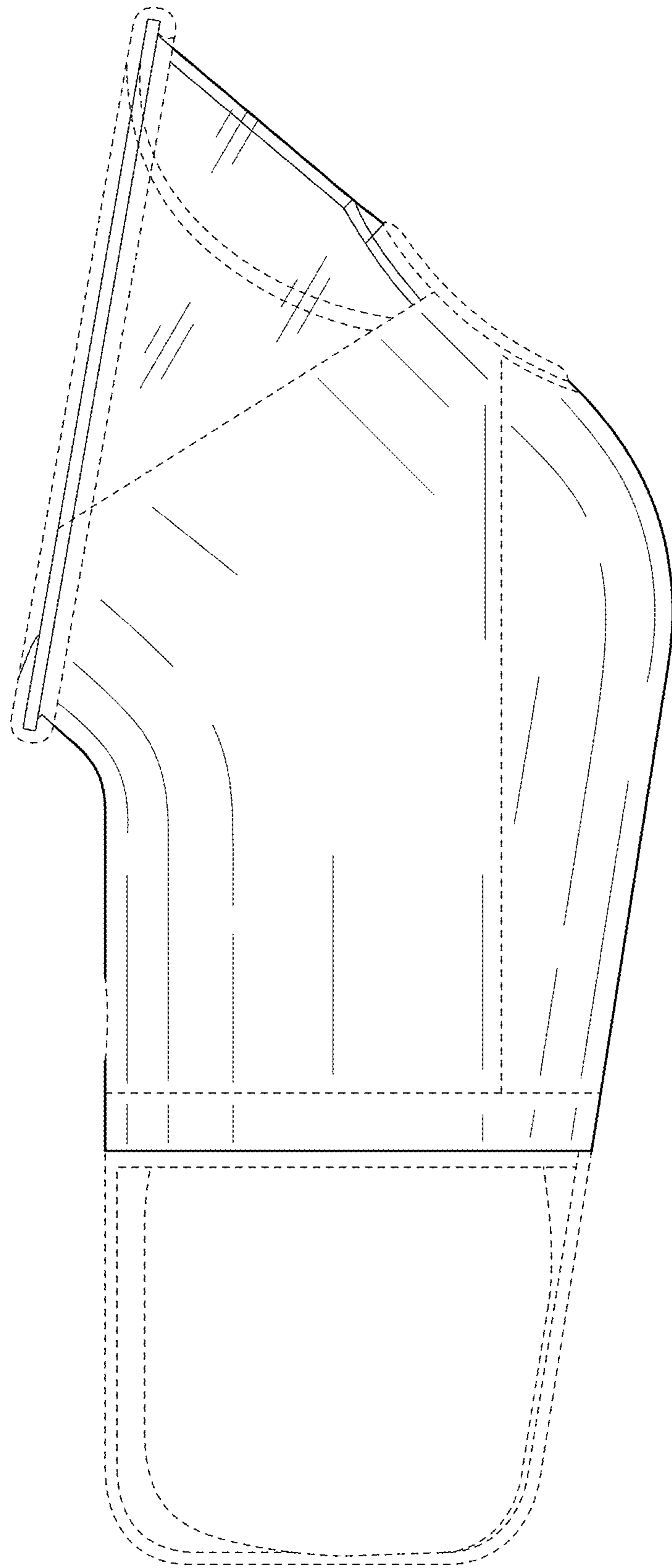
6.2



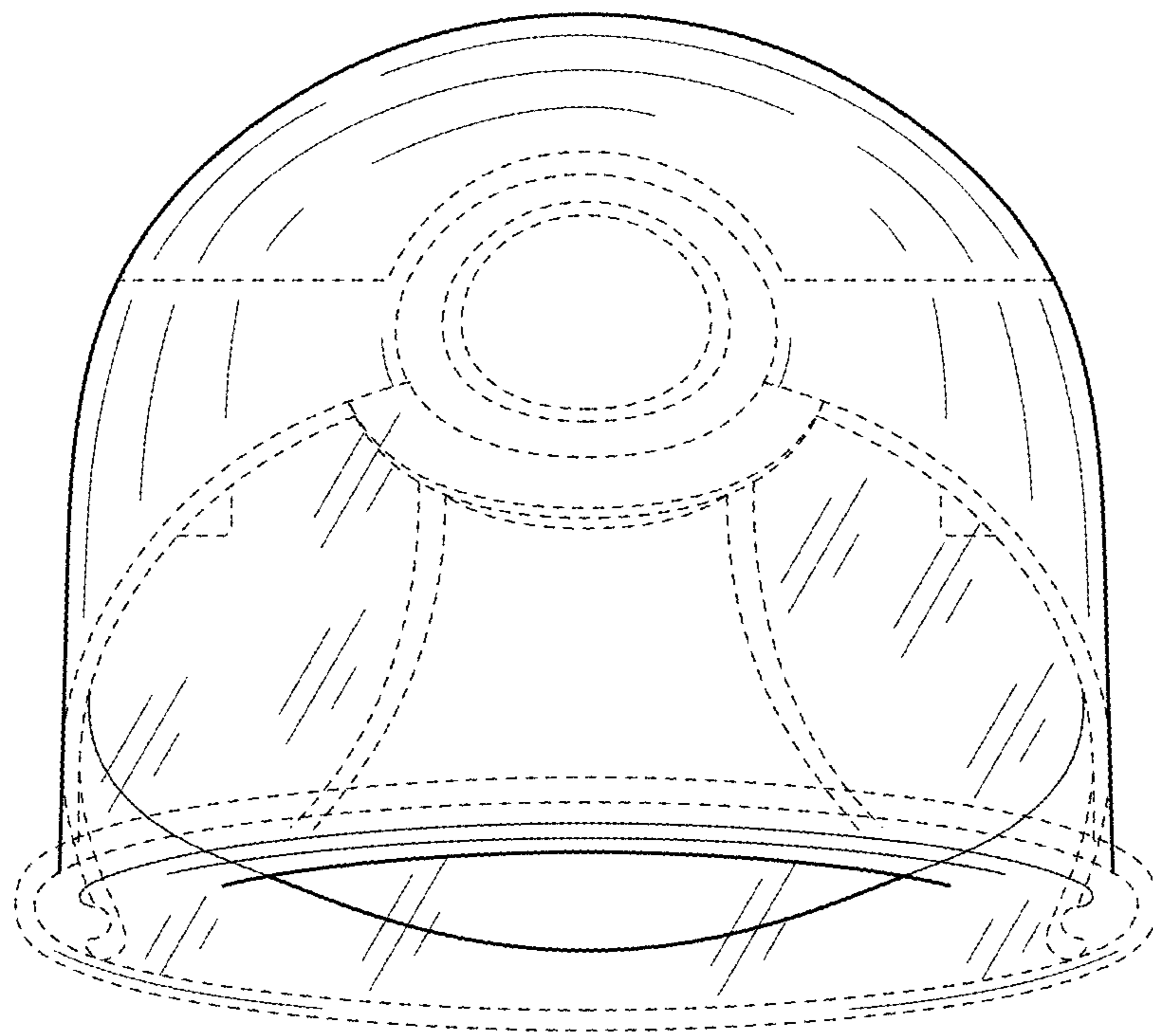


6.4

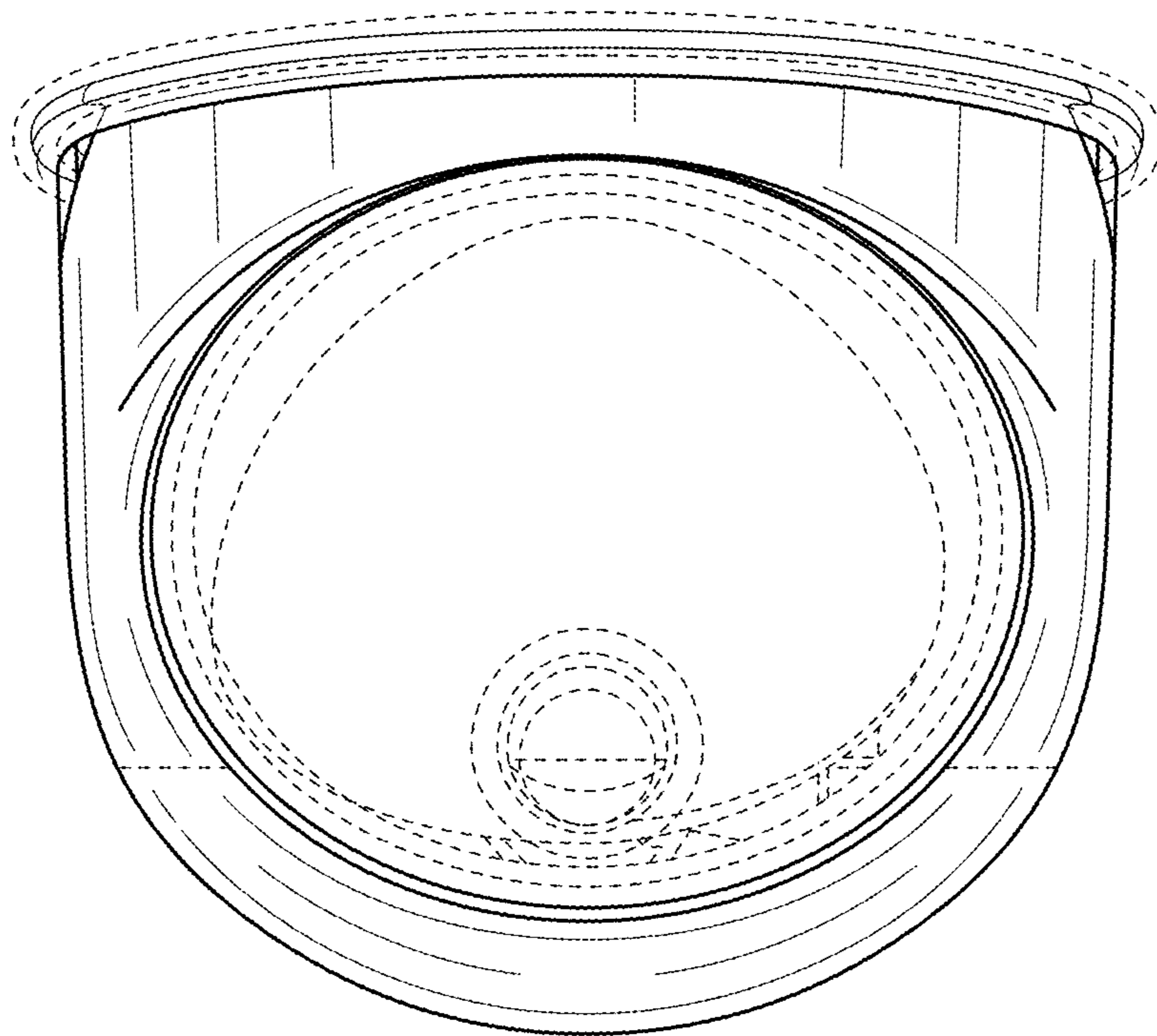




6.5



6.6



6.7