



US00D911513S

(12) **United States Design Patent** (10) **Patent No.:** **US D911,513 S**  
**Chen et al.** (45) **Date of Patent:** **\*\* Feb. 23, 2021**

(54) **CEILING FAN BLADE**  
(71) Applicants: **Chia-Teh Chen**, Taipei (TW); **Luminex International Co., Ltd.**, Mahe (SC)  
(72) Inventors: **Chia-Teh Chen**, Taipei (TW); **Meng-Chu Lee**, Taipei (TW)  
(73) Assignees: **Chia-Teh Chen**, Taipei (TW); **Luminex International Co., Ltd.**, Mahe (SC)  
(\*\*) Term: **15 Years**  
(21) Appl. No.: **29/715,179**  
(22) Filed: **Nov. 28, 2019**  
(51) **LOC (13) Cl.** ..... **23-03**  
(52) **U.S. Cl.**  
USPC ..... **D23/413**  
(58) **Field of Classification Search**  
USPC ..... D23/370, 377, 379, 385, 411, 413;  
D26/59; D12/214, 339, 344  
CPC ..... F04D 25/088; F04D 29/38; F04D 29/384;  
F04D 29/386; F21V 33/0096  
See application file for complete search history.

(56) **References Cited**

**U.S. PATENT DOCUMENTS**

D535,388 S 1/2007 Gajewski  
D581,037 S \* 11/2008 Dyson ..... D23/377  
D626,643 S 11/2010 Situ et al.  
D629,501 S 12/2010 Liu  
D645,134 S 9/2011 Lee et al.  
D675,313 S 1/2013 Lindgren  
D715,421 S 10/2014 Schulzman  
D716,438 S 10/2014 Liu  
D721,800 S 1/2015 Busta  
D726,297 S 4/2015 Liu  
D732,656 S 6/2015 Wu et al.  
D745,956 S \* 12/2015 Ertze ..... D23/385  
D755,948 S 5/2016 Ertze

D761,949 S 7/2016 Badarello  
D773,639 S 12/2016 Shen  
D773,640 S 12/2016 Wang  
D776,251 S \* 1/2017 Pickett ..... D23/413  
D779,648 S 2/2017 Badarello et al.  
D783,146 S \* 4/2017 Wang ..... D23/413  
D785,155 S \* 4/2017 Wang ..... D23/377  
D795,413 S \* 8/2017 Wang ..... D23/377  
D799,660 S 10/2017 Jones  
D799,688 S 10/2017 Wang

(Continued)

*Primary Examiner* — Cathron C Brooks  
*Assistant Examiner* — Sharon S Oum  
(74) *Attorney, Agent, or Firm* — Li & Cai Intellectual Property Office

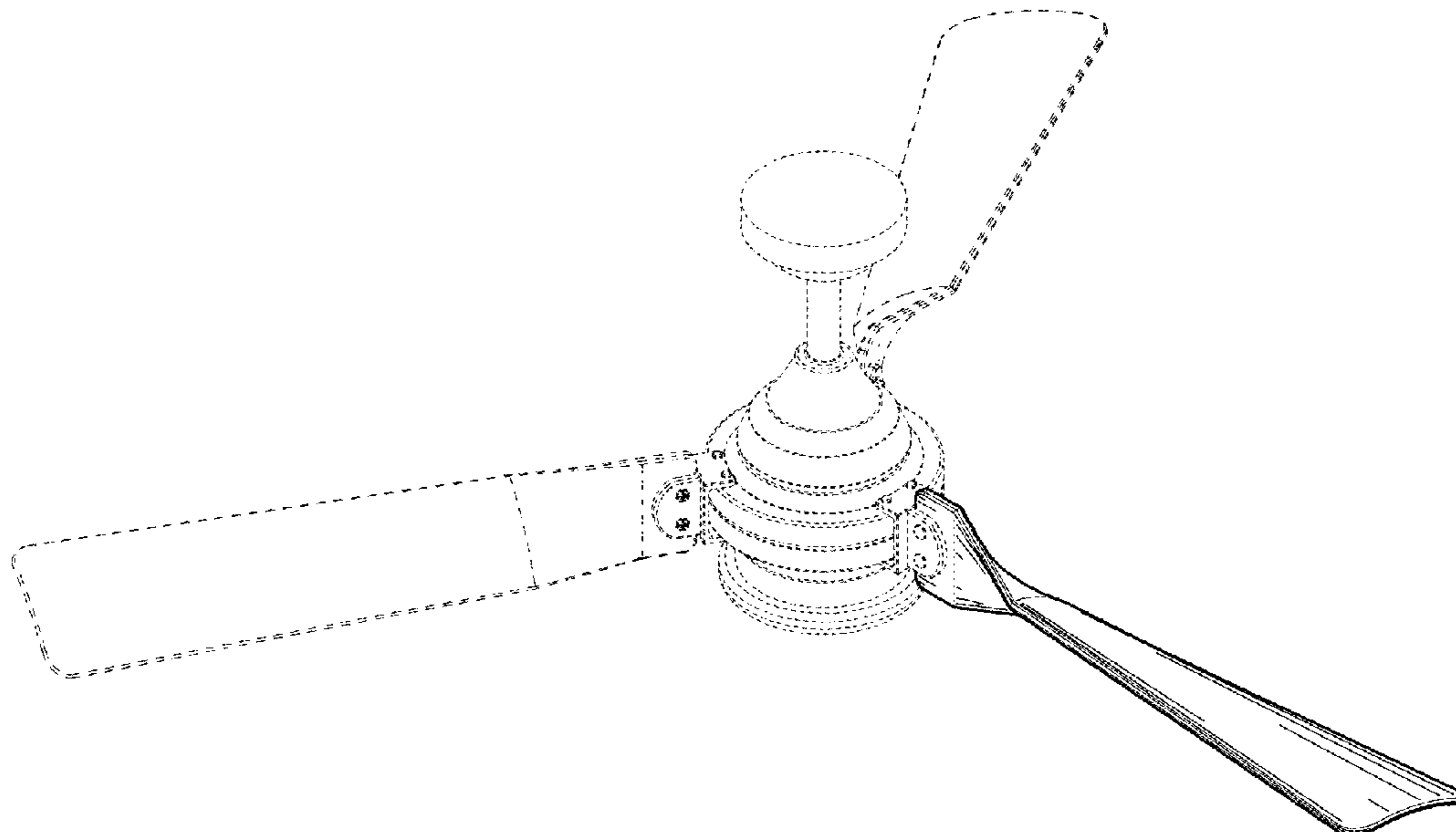
(57) **CLAIM**

The ornamental design for a ceiling fan blade, as shown and described.

**DESCRIPTION**

FIG. 1 is a front and top perspective view of a ceiling fan blade showing our new design;  
FIG. 2 is a front elevational view thereof;  
FIG. 3 is a rear elevational view thereof;  
FIG. 4 is a left side elevational view thereof;  
FIG. 5 is a right side elevational view thereof;  
FIG. 6 is a top plan view thereof;  
FIG. 7 is a bottom plan view thereof;  
FIG. 8 is a rear and bottom perspective view thereof; and,  
FIG. 9 is another front and top perspective view thereof, but showing the blade fixed to the broken line showing of a ceiling fan.  
The broken lines depict portions of the ceiling fan blade in which the design is embodied that form no part of the claimed design.  
The broken lines in FIG. 9 depict environmental structure that forms no part of the claimed design.

**1 Claim, 8 Drawing Sheets**



(56)

**References Cited**

U.S. PATENT DOCUMENTS

D806,856 S	1/2018	Schulzman	
D810,923 S	2/2018	Jones	
D814,622 S	4/2018	Gajewski	
D818,572 S	5/2018	Gajewski	
D828,535 S	9/2018	Searle	
D835,255 S *	12/2018	Jones .....	D23/411
D844,771 S	4/2019	Badarello	

\* cited by examiner

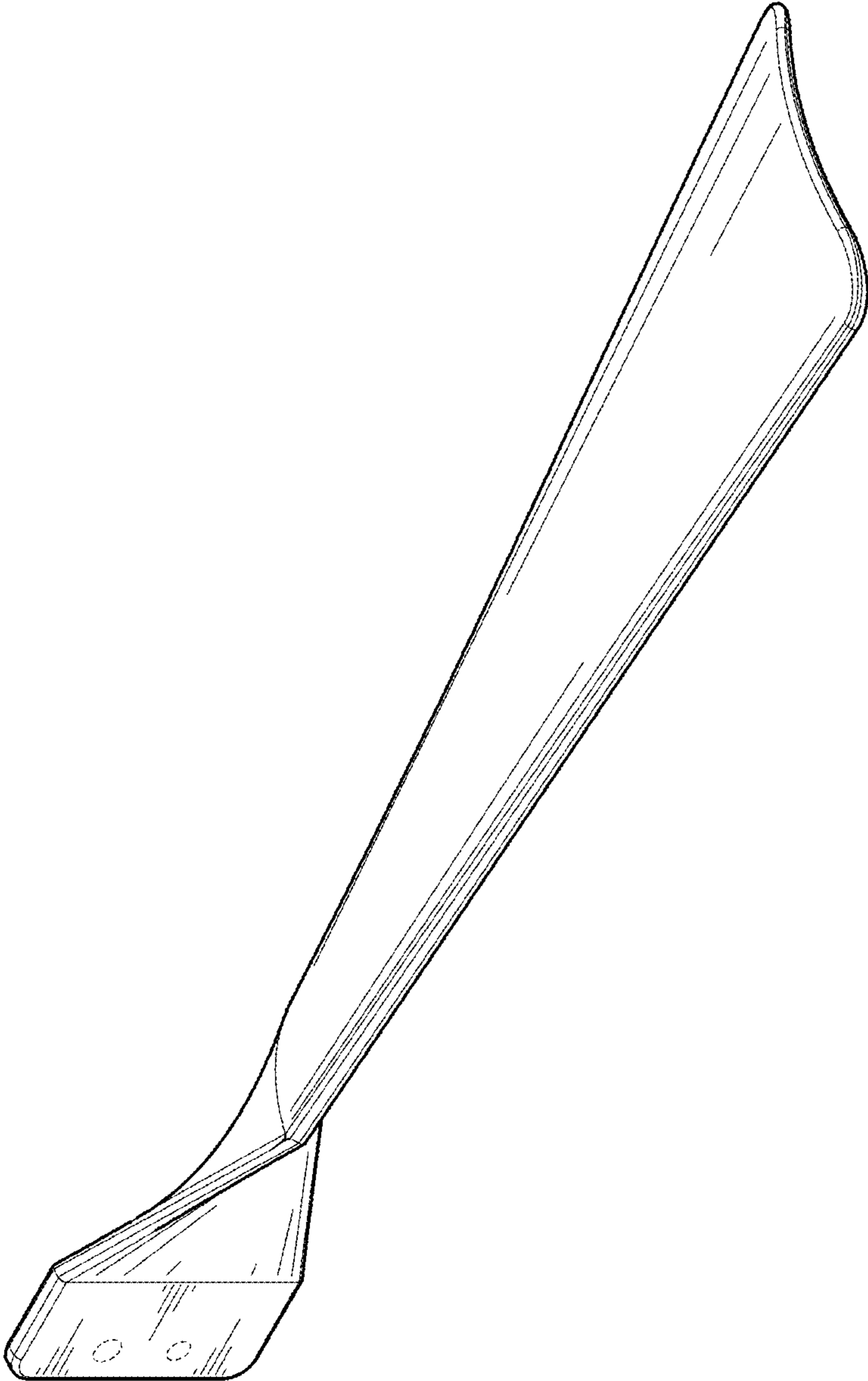


FIG. 1

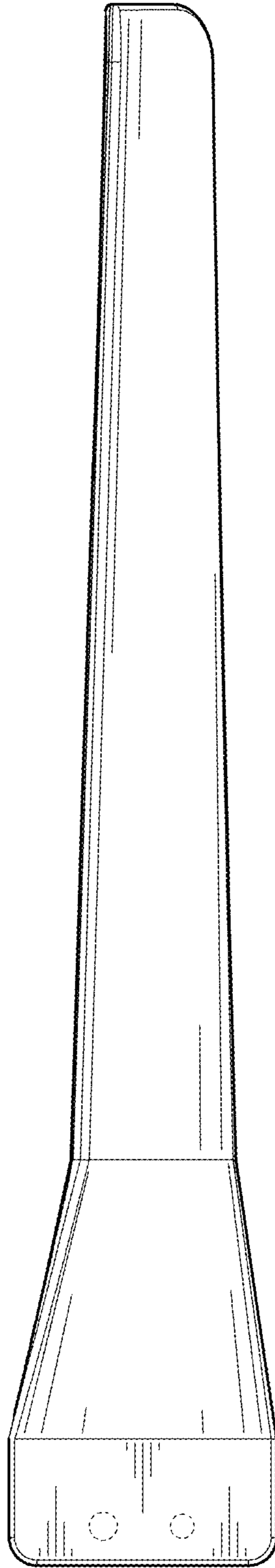


FIG. 2

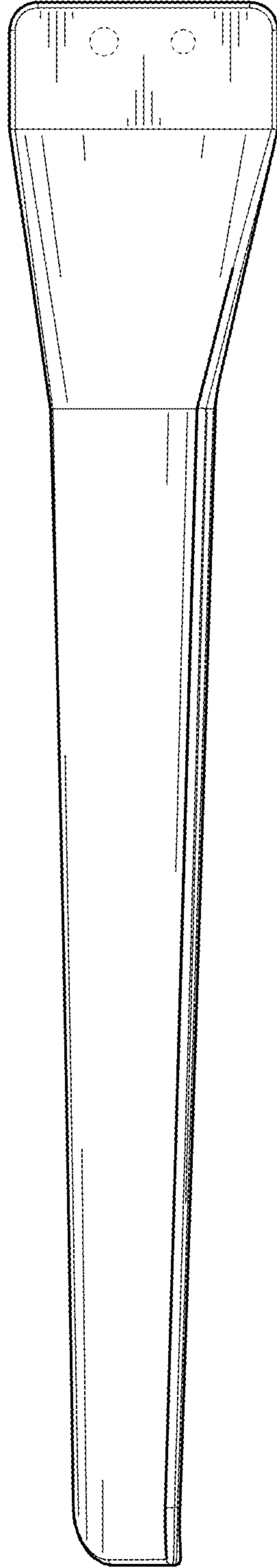


FIG. 3

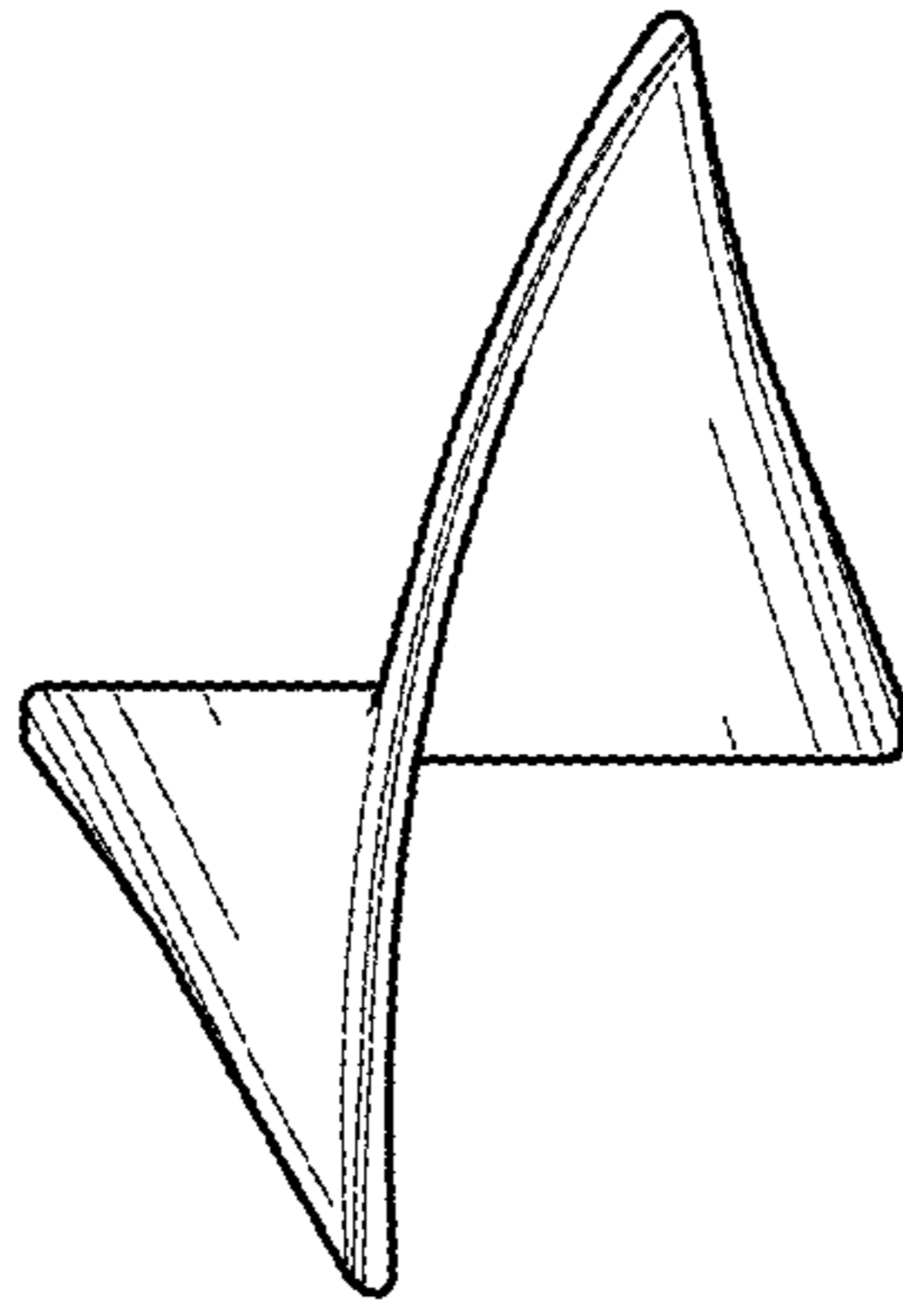


FIG. 5

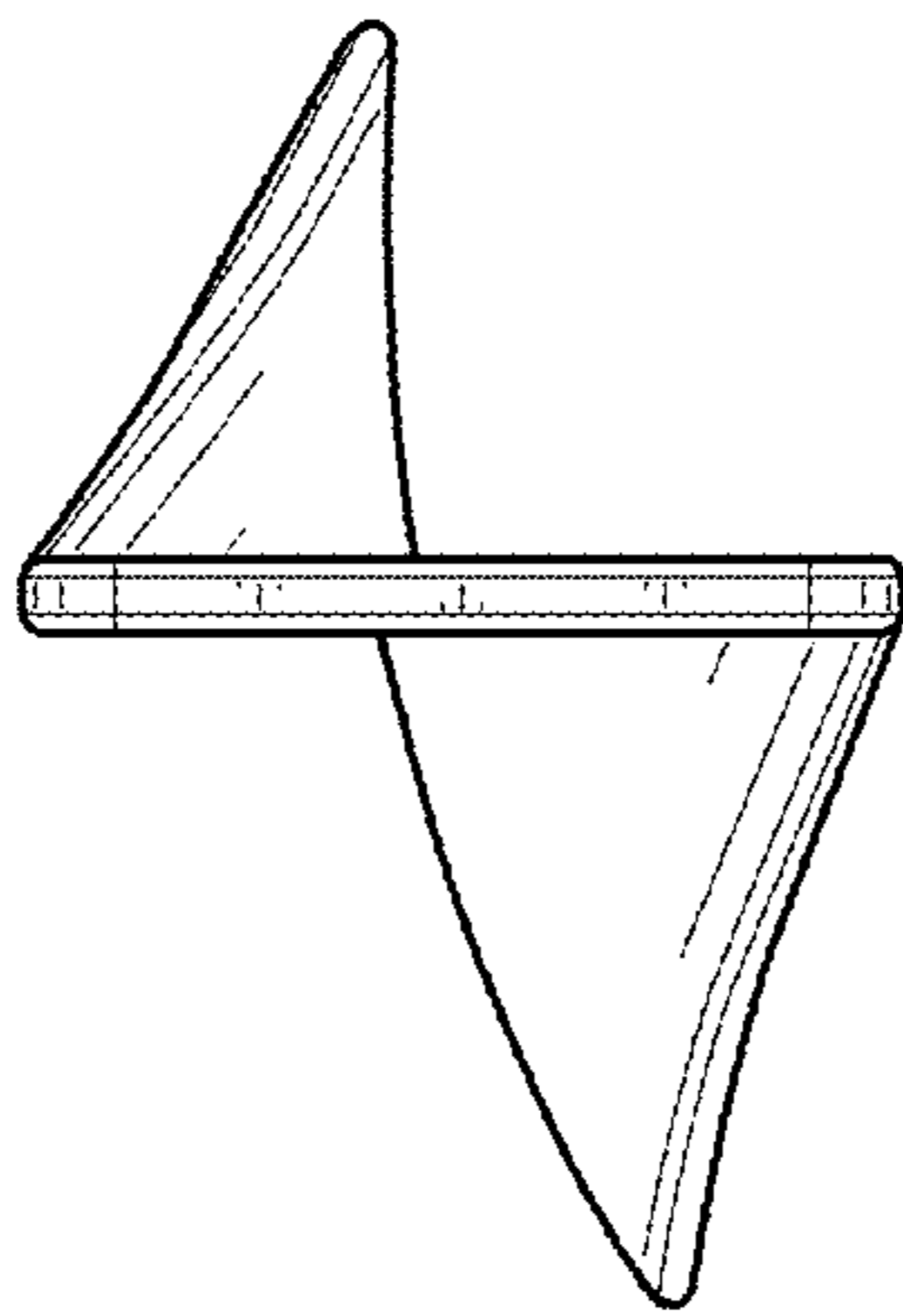


FIG. 4

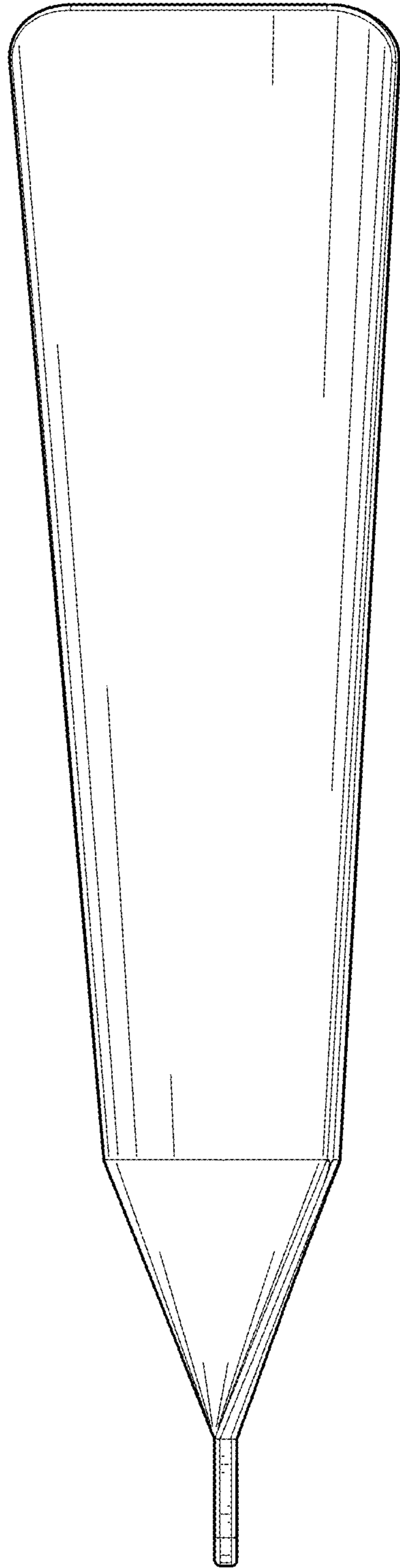


FIG. 6

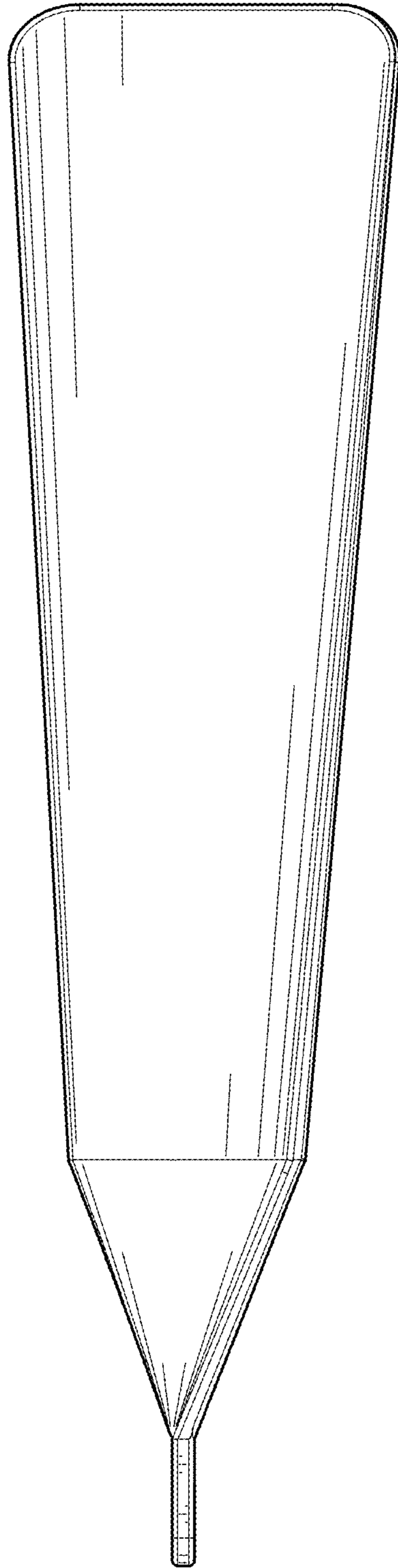


FIG. 7



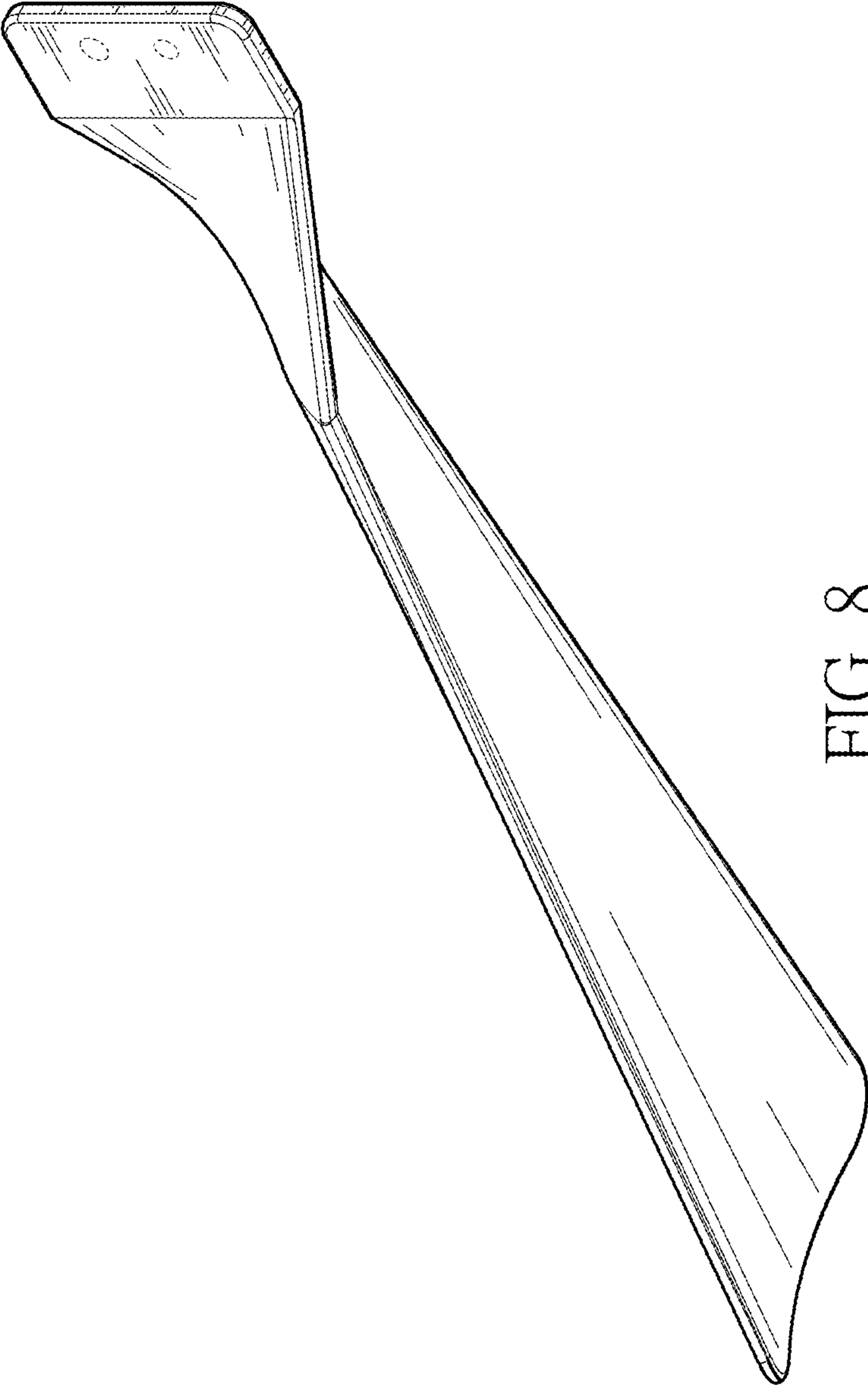


FIG. 8

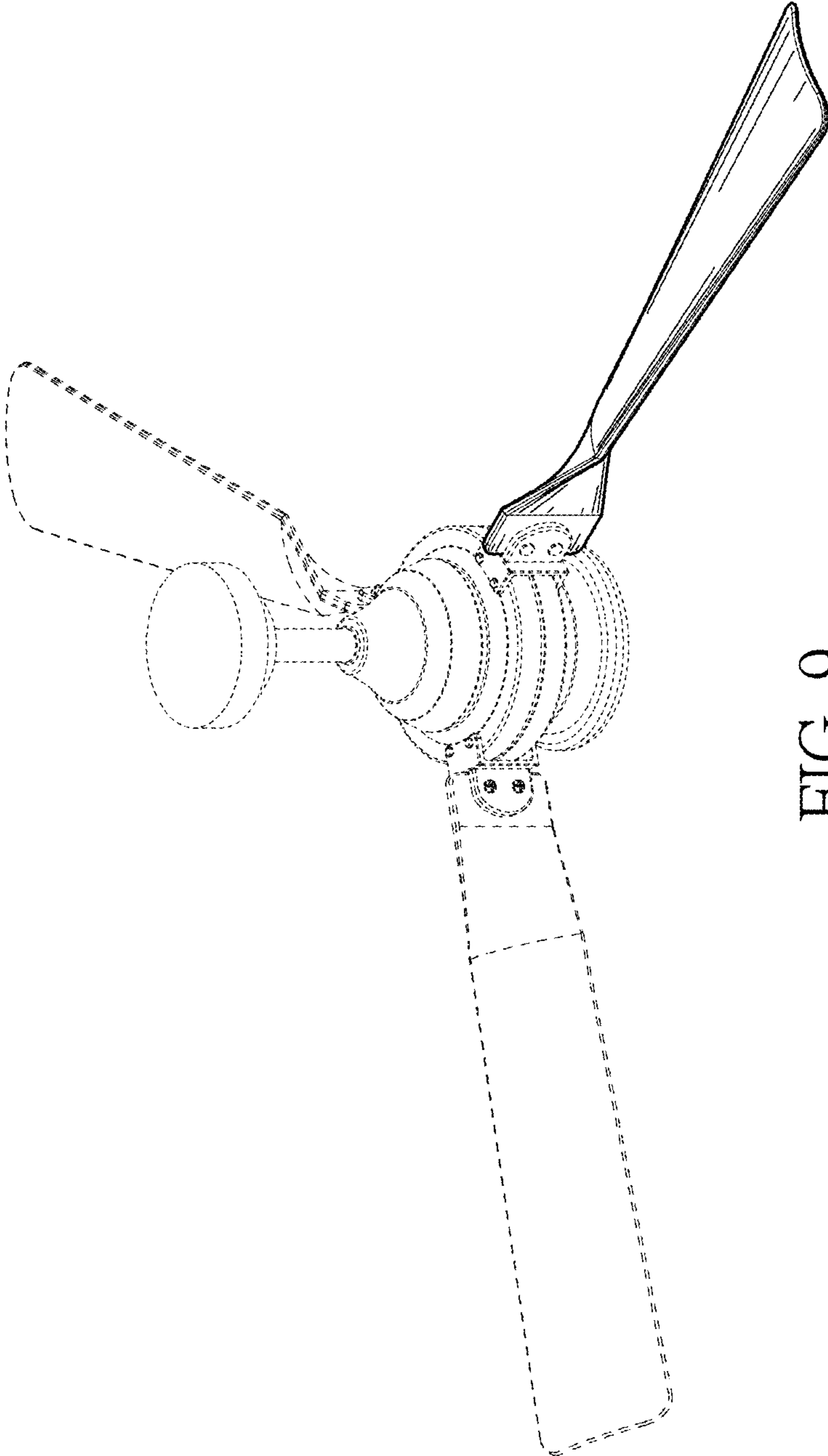


FIG. 9