



US00D911509S

(12) **United States Design Patent**
Haggar

(10) **Patent No.:** **US D911,509 S**

(45) **Date of Patent:** **** Feb. 23, 2021**

(54) **CEILING FAN**

D514,220 S 1/2006 Tai
D516,203 S 2/2006 Frampton
D516,707 S 3/2006 Frampton
(Continued)

(71) Applicant: **HUNTER FAN COMPANY,**
Memphis, TN (US)

(72) Inventor: **Alexander Jonathan Haggar,**
Memphis, TN (US)

(73) Assignee: **Hunter Fan Company,** Memphis, TN
(US)

(**) Term: **15 Years**

(21) Appl. No.: **29/628,449**

(22) Filed: **Dec. 5, 2017**

(51) **LOC (13) Cl.** **23-04**

(52) **U.S. Cl.**
USPC **D23/377**

(58) **Field of Classification Search**
USPC D23/370–385, 411–414; D26/59, 85, 86,
D26/89, 90
CPC F04D 25/088; F04D 29/38; F04D 29/384;
F04D 29/386; F21V 33/0096
See application file for complete search history.

(56) **References Cited**

U.S. PATENT DOCUMENTS

D314,618 S *	2/1991	Yen	D23/377
D324,565 S	3/1992	Fraser		
D357,978 S	5/1995	Young		
D374,926 S	10/1996	Sheh		
D380,539 S	7/1997	Liu		
D386,257 S	11/1997	Liu		
D393,902 S	4/1998	Pickett		
D431,307 S *	9/2000	Zelina, Jr.	D26/24
D434,134 S *	11/2000	Frampton	D23/413
D443,713 S *	6/2001	Benensohn	D26/72
D450,380 S *	11/2001	Frampton	D23/413
D453,216 S *	1/2002	Gajewski	D23/377
D484,964 S *	1/2004	Young	D23/377
D501,251 S	1/2005	Hidalgo		

FOREIGN PATENT DOCUMENTS

IN 235579 S 9/2011

OTHER PUBLICATIONS

<http://www.crompton.co.in/aura-metallic/>, Crompton, Aura Metallic Ceiling Fan, accessed May 2, 2017.

(Continued)

Primary Examiner — Cathron C Brooks

Assistant Examiner — Sharon S Oum

(74) *Attorney, Agent, or Firm* — McGarry Bair PC

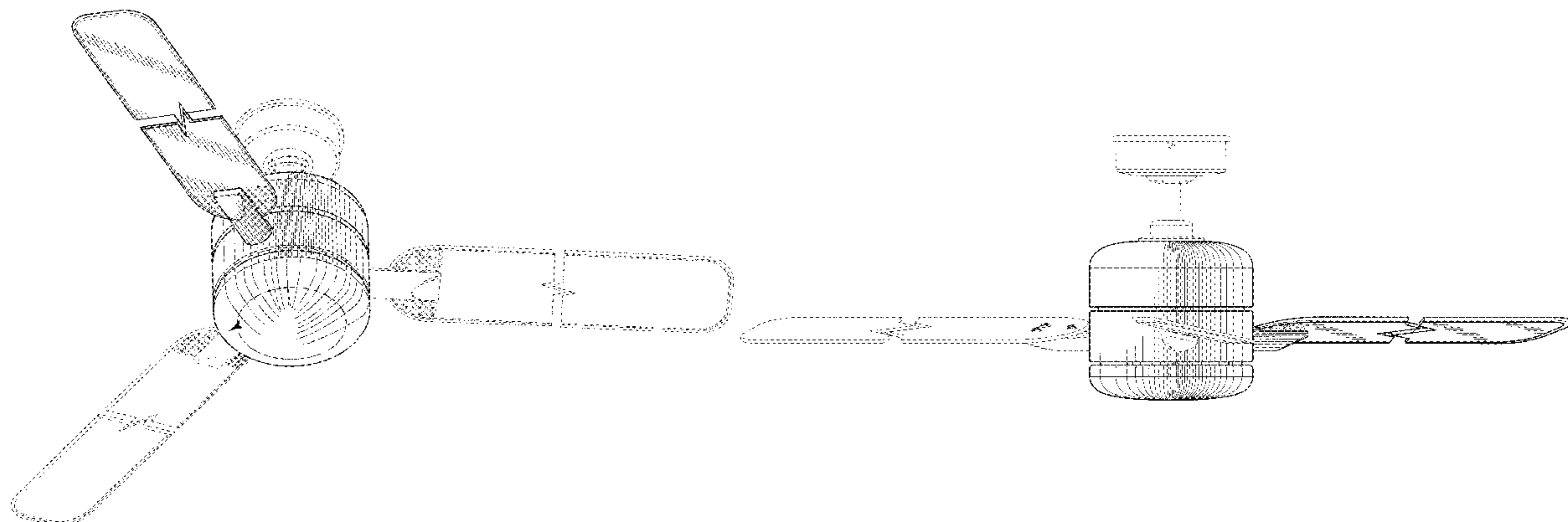
(57) **CLAIM**

The ornamental design for a ceiling fan, as shown and described.

DESCRIPTION

FIG. 1 is a top perspective view of a ceiling fan showing my new design;
FIG. 2 is a bottom perspective view of the ceiling fan of FIG. 1;
FIG. 3 is a front view of the ceiling fan of FIG. 1;
FIG. 4 is a rear view of the ceiling fan of FIG. 1;
FIG. 5 is a right side view of the ceiling fan of FIG. 1;
FIG. 6 is a left side view of the ceiling fan of FIG. 1;
FIG. 7 is a top view of the ceiling fan of FIG. 1; and,
FIG. 8 is a bottom view of the ceiling fan of FIG. 1.
Portions of the ceiling fan shown in broken lines, including the grid pattern at the root end of the blades, form no part of the claimed design.
The ceiling fan blades are shown with a symbolic break in their length. The appearance of any portion of the ceiling fan blades between the break lines forms no part of the claimed design.

1 Claim, 8 Drawing Sheets



(56)

References Cited

U.S. PATENT DOCUMENTS

D516,708	S	3/2006	Frampton	
D517,688	S	3/2006	Frampton	
D527,090	S	8/2006	Pan	
D534,273	S	* 12/2006	Pan	D23/411
D561,374	S	* 2/2008	Hartmann, Jr.	D26/74
D575,862	S	* 8/2008	McCalla	D23/377
D584,396	S	1/2009	Bucher et al.	
D599,473	S	9/2009	Klausing et al.	
D609,799	S	* 2/2010	Lee	D23/377
D627,054	S	11/2010	Pan	
D633,644	S	* 3/2011	Sprengers	D26/89
D707,336	S	* 6/2014	Pan	D23/377
D708,315	S	* 7/2014	Wang	D23/377
D739,001	S	* 9/2015	Crisa'	D23/372
D745,134	S	* 12/2015	Wang	D23/413
D771,794	S	* 11/2016	Wang	D23/411
D772,393	S	* 11/2016	Wang	D23/377
D778,422	S	2/2017	Gajewski	
D783,796	S	4/2017	Badarello et al.	
D788,283	S	* 5/2017	Busta	D23/377
D805,174	S	* 12/2017	Guthrie	D23/377
D805,175	S	* 12/2017	Haggar	D23/377
D805,625	S	* 12/2017	Haggar	D23/377
D808,510	S	* 1/2018	Gajewski	D23/377
D809,644	S	* 2/2018	Holmes	D23/377
D810,917	S	* 2/2018	Holmes	D23/377
D826,394	S	* 8/2018	Biancuzzo	D23/411
D855,172	S	* 7/2019	Holmes	D23/411
D855,788	S	* 8/2019	Haggar	D23/377
D855,789	S	* 8/2019	Haggar	D23/377
2015/0078906	A1	* 3/2015	Wang	F04D 25/088 416/219 R
2018/0128277	A1	* 5/2018	Chia	F04D 25/088

OTHER PUBLICATIONS

<https://www.craftmade.com/penbrooke-pnb52>, Craftmade, Penbrooke Ceiling Fan with Blades Included, Model No. PNB52, accessed May 2, 2017.

<http://www.kichler.com/products/product/52-bowen-ceiling-fan-ni-330242ni.aspx>, Kichler, 52" Bowen Ceiling Fan, Model No. 330242NI (Brushed Nickel), accessed May 2, 2017.

<https://www.lowes.com/pd/Harbor-Breeze-Riverview-36-in-Bronze-Downrod-or-Close-Mount-Indoor-Ceiling-Fan-with-Light-Kit-4-Blade/1000124909>, Harbor Breeze, Riverview 36-in Bronze Downrod or Close Mount Indoor Ceiling Fan with Light Kit (4-Blade), accessed May 2, 2017.

<https://www.craftmade.com/mobi-mob60>, Craftmade, Modi Customizable Fan, Model No. MOB60, accessed May 2, 2017.

<http://www.minkagroup.net/products/f734-gl>, Minka Group, Strata 52" Ceiling Fan in Galvanized Finish with 4 Blades in Silver, Model No. F734-GL, accessed May 2, 2017.

<http://www.kingoffans.com/#/products>, King of Fans, Windward II, Model No. 55296, accessed Dec. 5, 2017.

<http://www.casablancafanco.com/Ceiling-Fans/Piston?ModelNumber=59196>, Casablanca, Piston, 52" Ceiling Fan, Model No. 59196, Matte Black, accessed May 2, 2017.

<http://www.montecarlofans.com/37649/42-Vision-II---Rubberized-White-3VNR42RZWD.html>, Conte Carlo, 42" Vision II—Rubberized White, Product No. 3VNR24RZWD, accessed May 2, 2017.

<http://www.kichler.com/products/product/52-inch-leeds-fan-obb-300427obb.aspx>, Kichler, Leeds Collection 52 Inch Leeds Fan OBB, Model No. 300427OBB (Oil Brushed Bronze), accessed May 2, 2017.

<http://www.minkagroup.net/products/f306l-bssl>, Minka Group, Elemental Gyro, 42" Ceiling Fan in Brushed Steel Finish with Silver Blades w/etched Opal Glass, Model No. F306L-BS-SL, accessed May 2, 2017.

<http://ceilingfans.emerson.com/shop/en/fan/fans-s-emerson-fans/fans-s-contemporary/highrise-fan-p-cf430>, Emerson, Contemporary Bronze Ceiling Fan with LED Light, Model No. CF430, accessed May 2, 2017.

<http://www.minkagroup.net/products/f518-orb>, Minka Group, Concept II, 44" 3 Blades in Oil Rubbed Bronze Finish w/Taupe Blades, Integrated Halogen Lights, Model No. F518-ORB, accessed May 2, 2017.

<http://www.fanimation.com/products/index.php/fans/benito.html>, Fanimation, Benito Ceiling Fan, Model No. FP8003, accessed May 2, 2017.

* cited by examiner

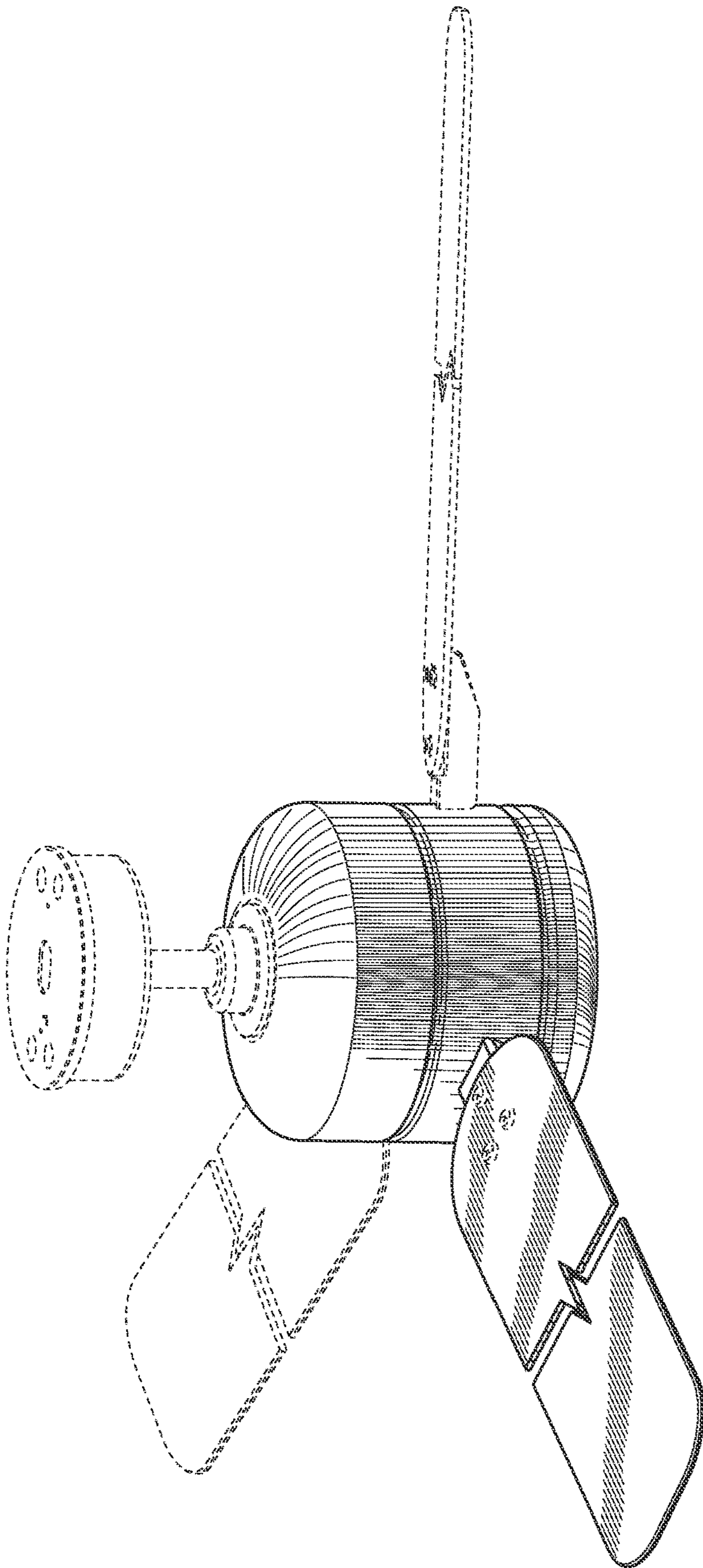


FIG. 1

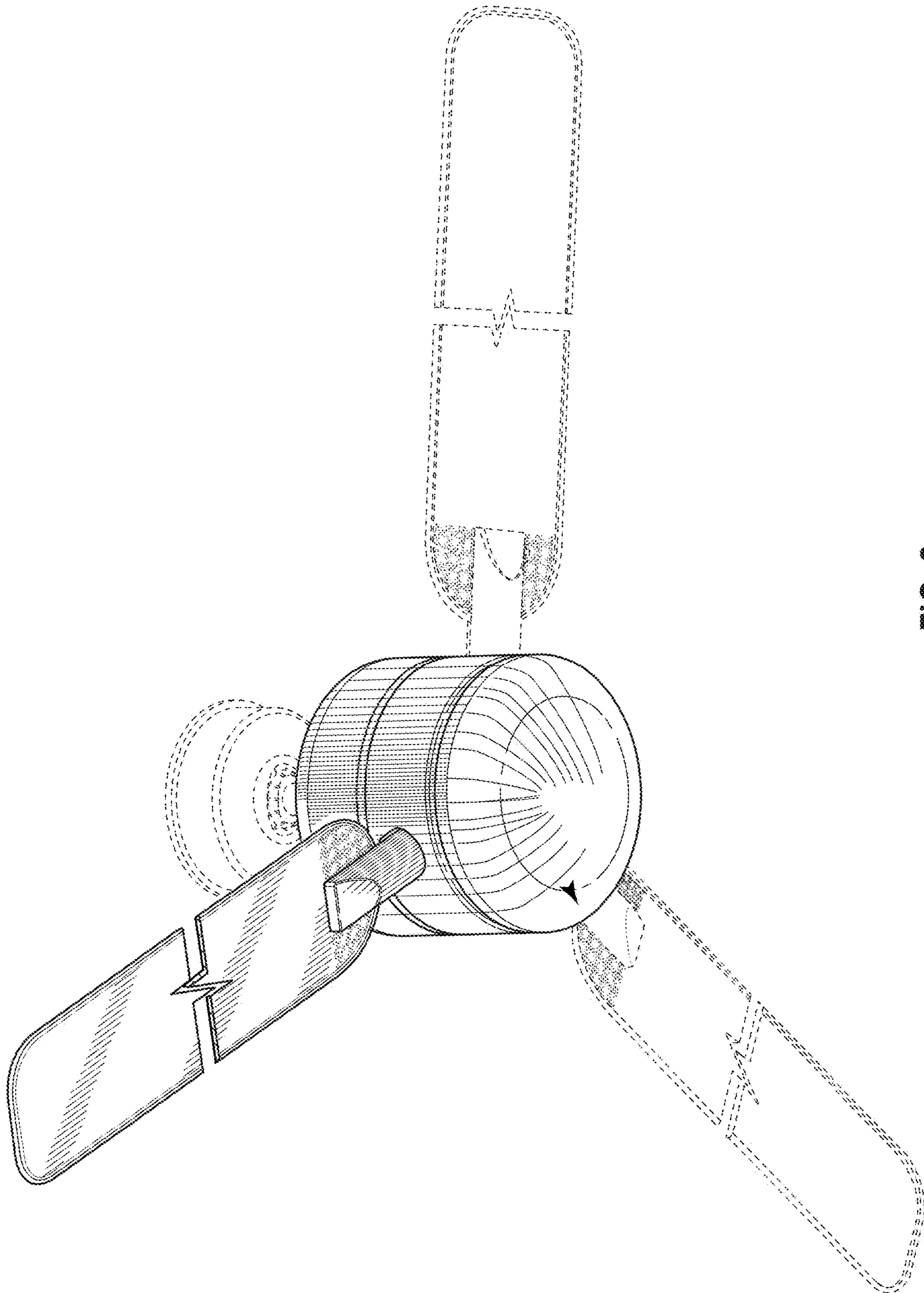


FIG. 2

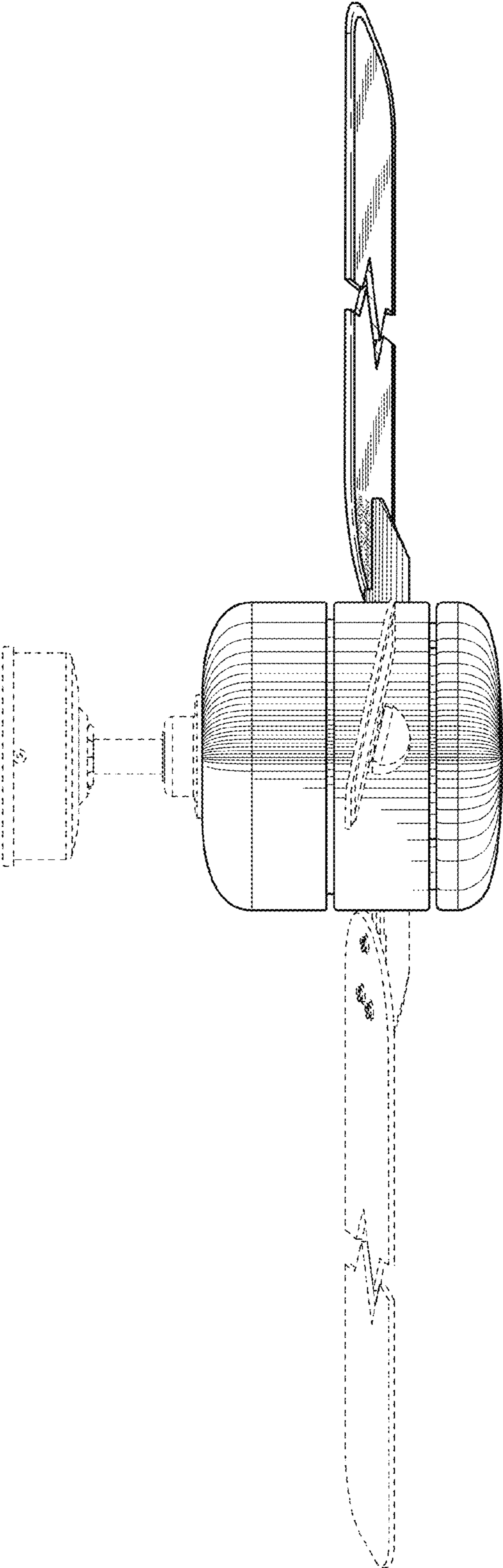


FIG. 3

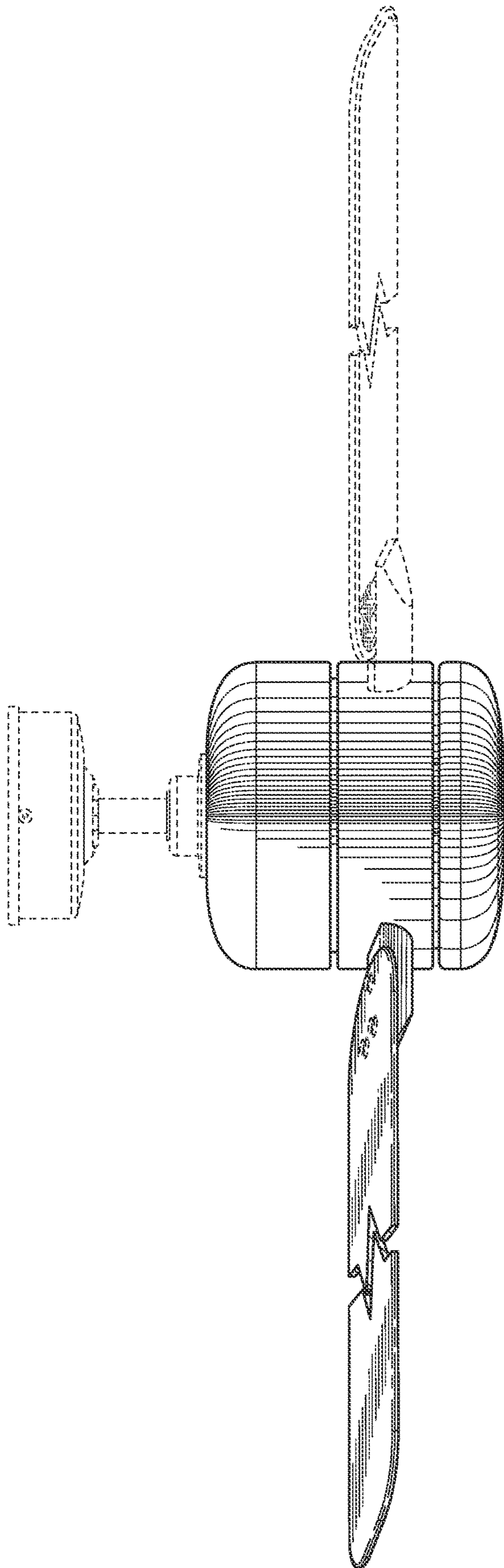


FIG. 4

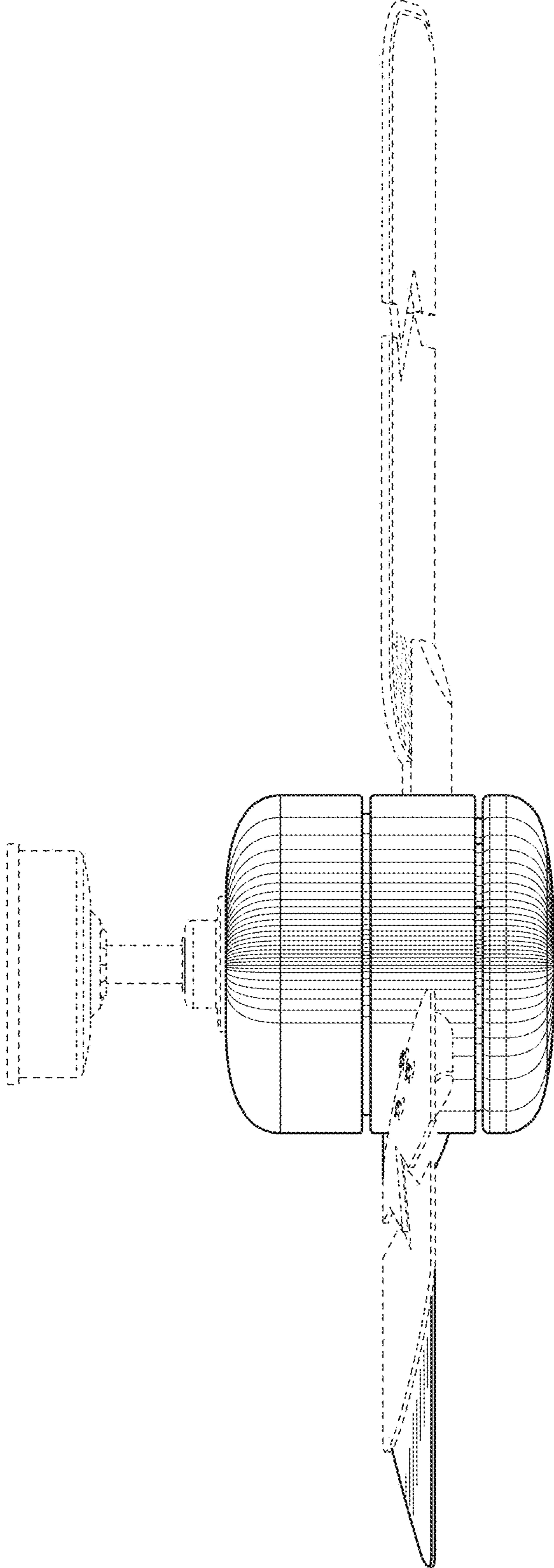


FIG. 5

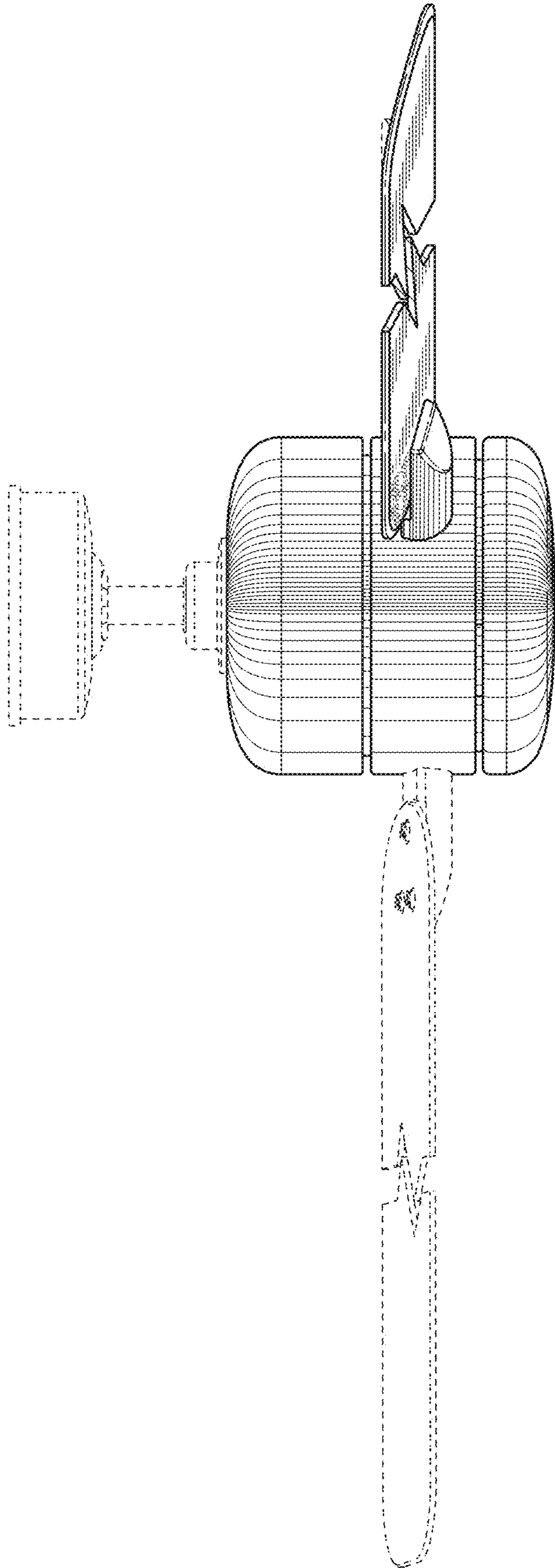


FIG. 6

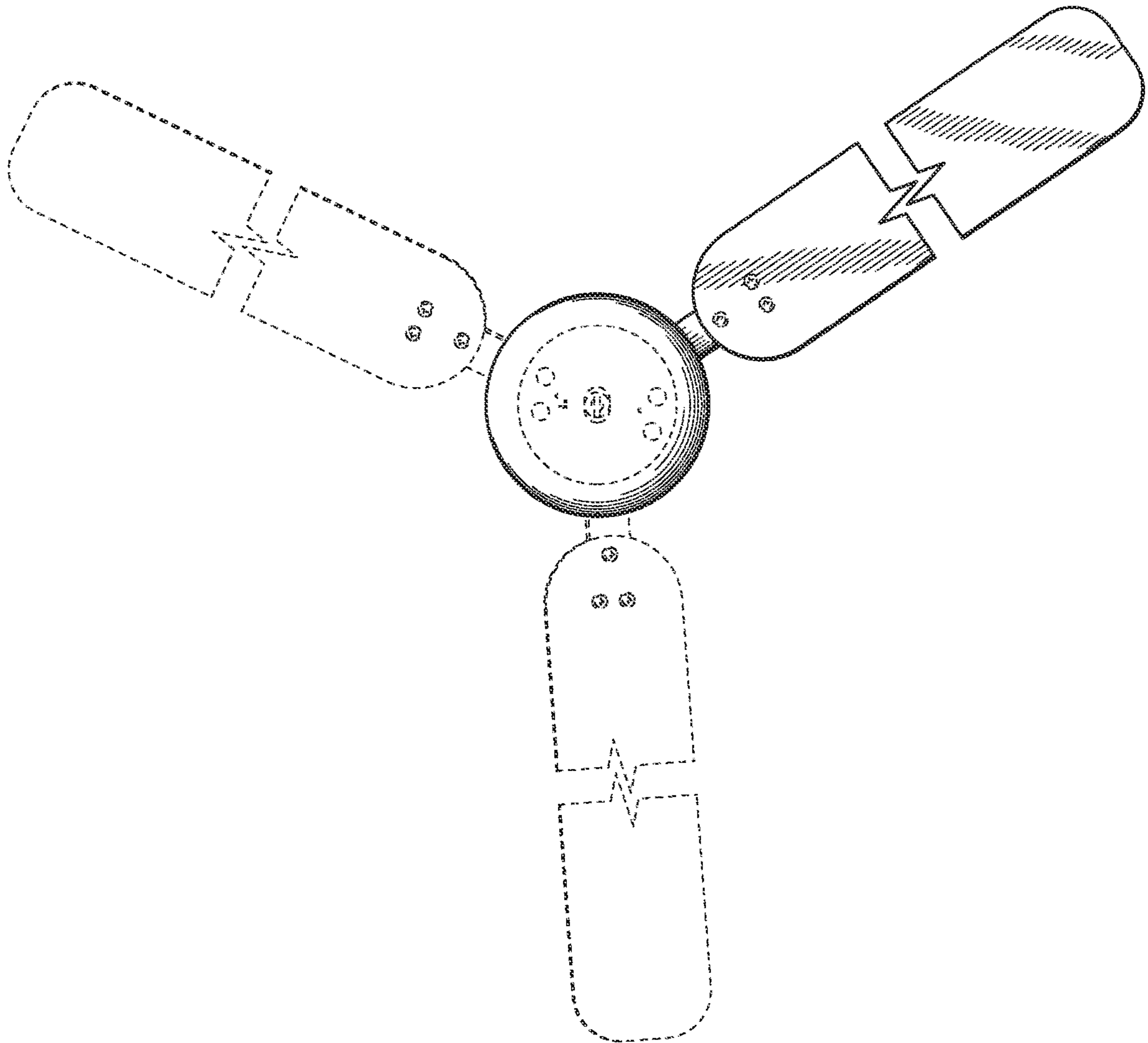


FIG. 7

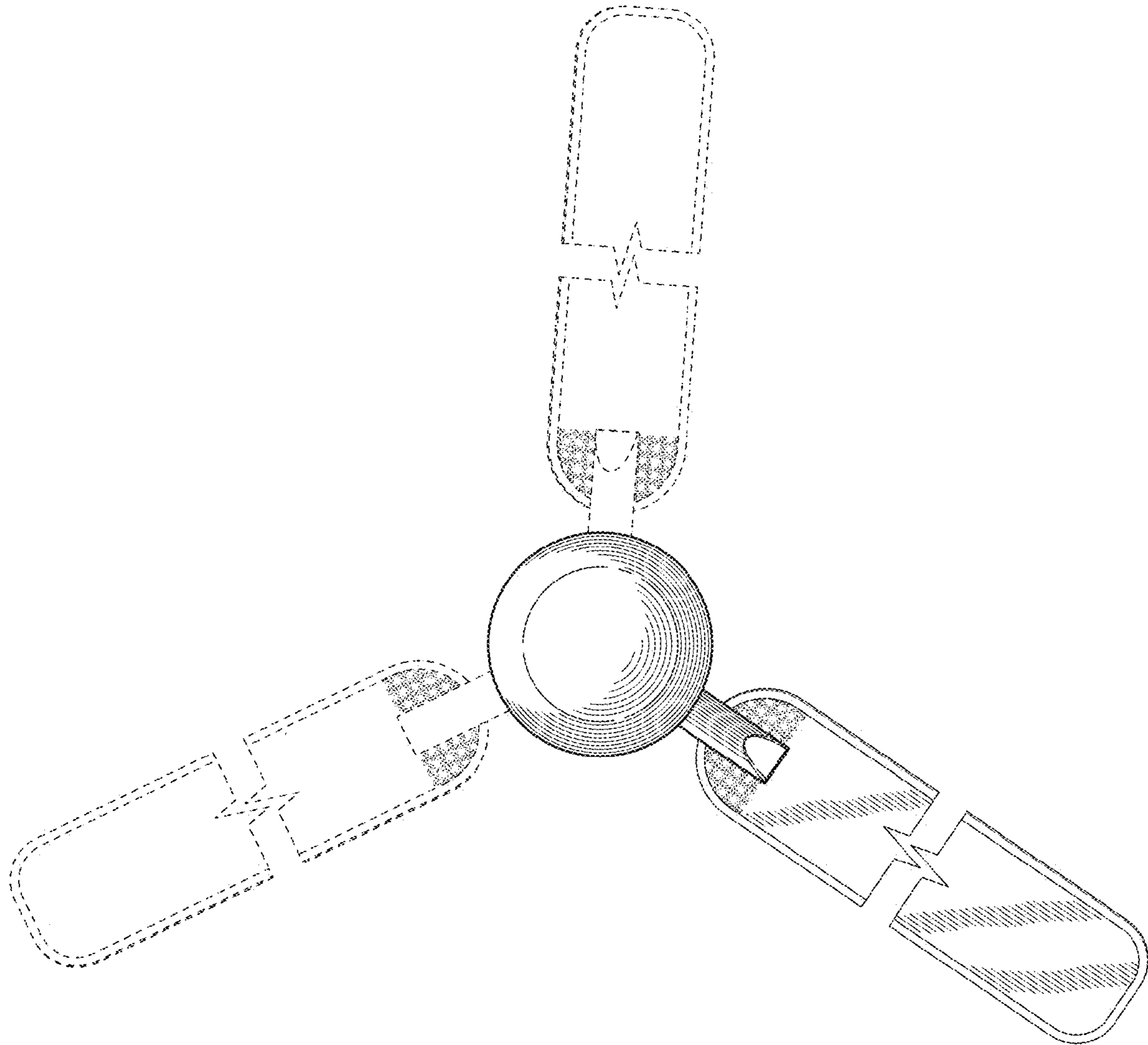


FIG. 8