



US00D911506S

(12) **United States Design Patent** (10) **Patent No.:** **US D911,506 S**
Wonnacott et al. (45) **Date of Patent:** **** Feb. 23, 2021**

(54) **AIR DEODORIZING APPARATUS**
(71) Applicant: **Vectair Systems Limited**, Basingstoke (GB)
(72) Inventors: **Paul Wonnacott**, Basingstoke (GB); **Robert Dix**, Basingstoke (GB)
(73) Assignee: **Vectair Systems Limited**, Basingstoke (GB)

D752,198 S * 3/2016 Zach D23/208
D802,087 S * 11/2017 Bos D23/208
D813,979 S * 3/2018 Bruining E03D 9/032
D23/208
D847,324 S * 4/2019 Zuo D23/366
2002/0083514 A1 * 7/2002 Lhoste E03D 9/032
4/231
2004/0068782 A1 * 4/2004 Butter-Jentsch C11D 3/3956
4/231

(**) Term: **15 Years**
(21) Appl. No.: **29/657,767**
(22) Filed: **Jul. 25, 2018**

(30) **Foreign Application Priority Data**
May 23, 2018 (EM) 005279130
(51) **LOC (13) Cl.** **23-04**
(52) **U.S. Cl.**
USPC **D23/366**
(58) **Field of Classification Search**
USPC D23/208, 355-369, 393; D14/209.1,
D14/212-213; D8/1, 391
CPC A61L 9/02; A61L 9/03; A61L 9/12; A61L
9/035; A61L 9/125; A61L 2209/15; A61L
2209/16
See application file for complete search history.

(56) **References Cited**
U.S. PATENT DOCUMENTS
D477,390 S * 7/2003 Chen D23/366
D534,641 S * 1/2007 Chen D23/366
D541,902 S * 5/2007 Cheung C11D 3/3956
D23/208
8,051,503 B2 * 11/2011 Nguyen E03D 9/032
4/223
D698,004 S * 1/2014 Bruining D23/208

OTHER PUBLICATIONS

InVent by HYScent; URL: <https://www.hyscent.com/fragrance-scent-commercial-business-diffusers/invent-odor-control>.

* cited by examiner

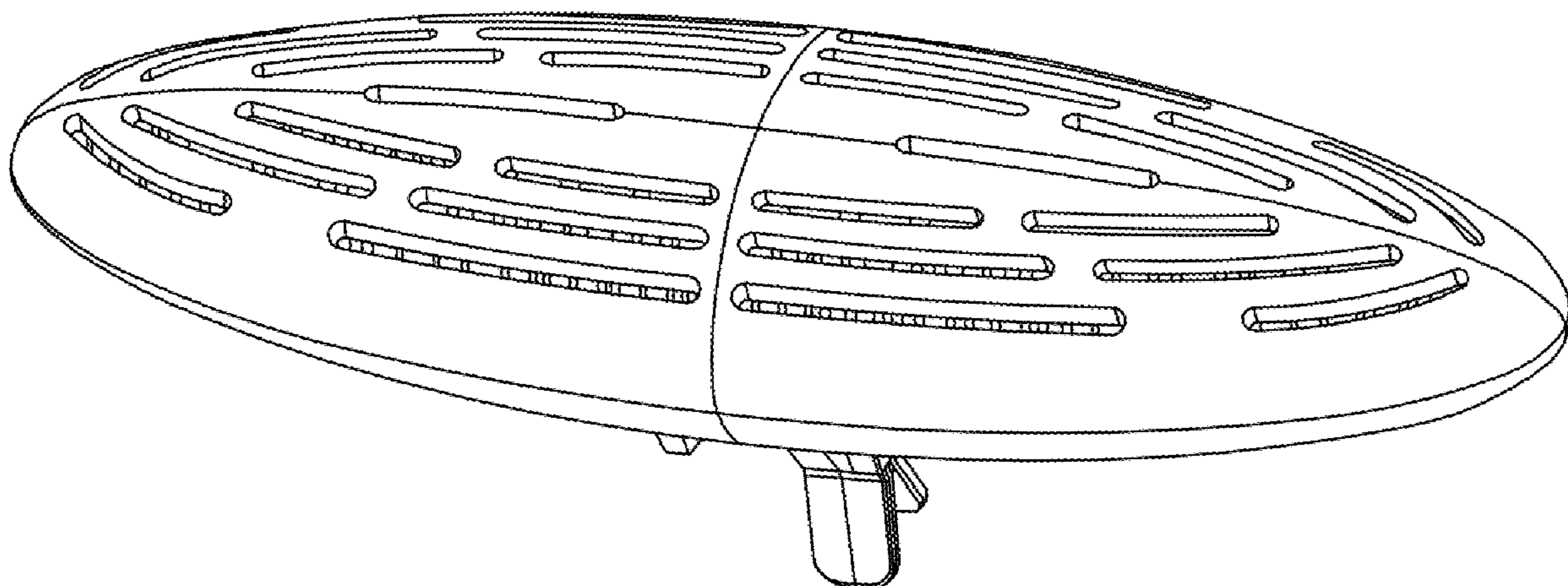
Primary Examiner — Sheryl Lane
Assistant Examiner — Calvin E Vansant
(74) *Attorney, Agent, or Firm* — Westman, Champlin & Koehler, P.A.; Z. Peter Sawicki; Amanda M. Prose

(57) **CLAIM**
The ornamental design for a deodorizing apparatus, as shown and described.

DESCRIPTION

FIG. 1 is a front view of the air deodorizing apparatus. FIG. 2 is a right side view of the air deodorizing apparatus. FIG. 3 is a top view of the air deodorizing apparatus. FIG. 4 is a back view of the air deodorizing apparatus. FIG. 5 is a top exploded perspective view of the air deodorizing apparatus. FIG. 6 is a back perspective view of the air deodorizing apparatus; and, FIG. 7 is a front perspective view of the air deodorizing apparatus. The right and left sides of the air deodorizing apparatus are mirror images.

1 Claim, 5 Drawing Sheets



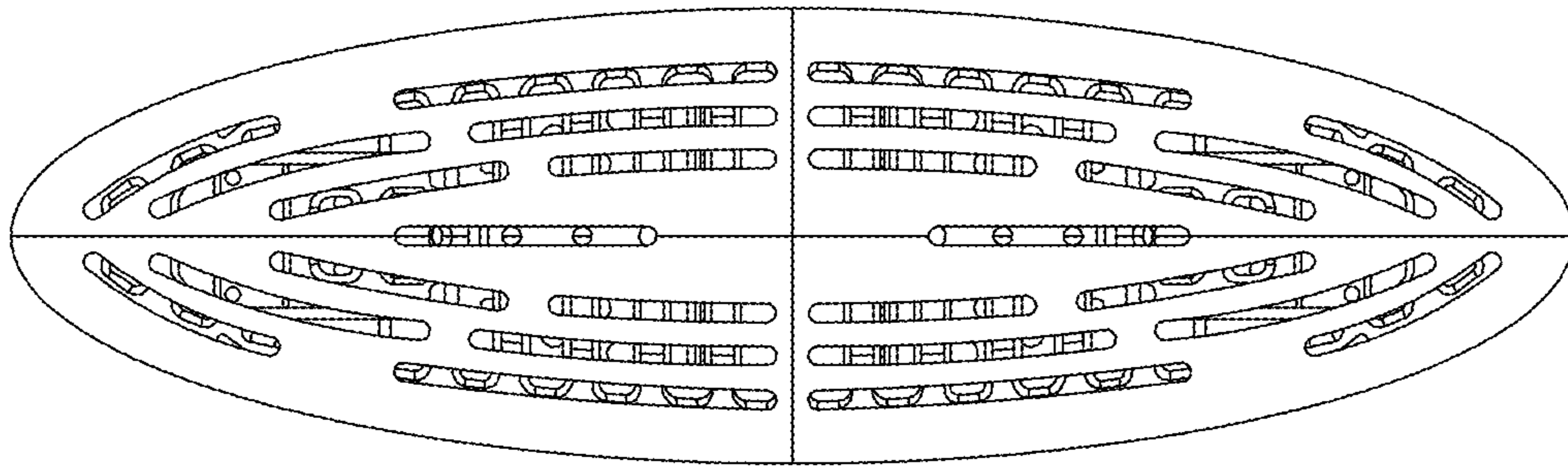


FIG. 1

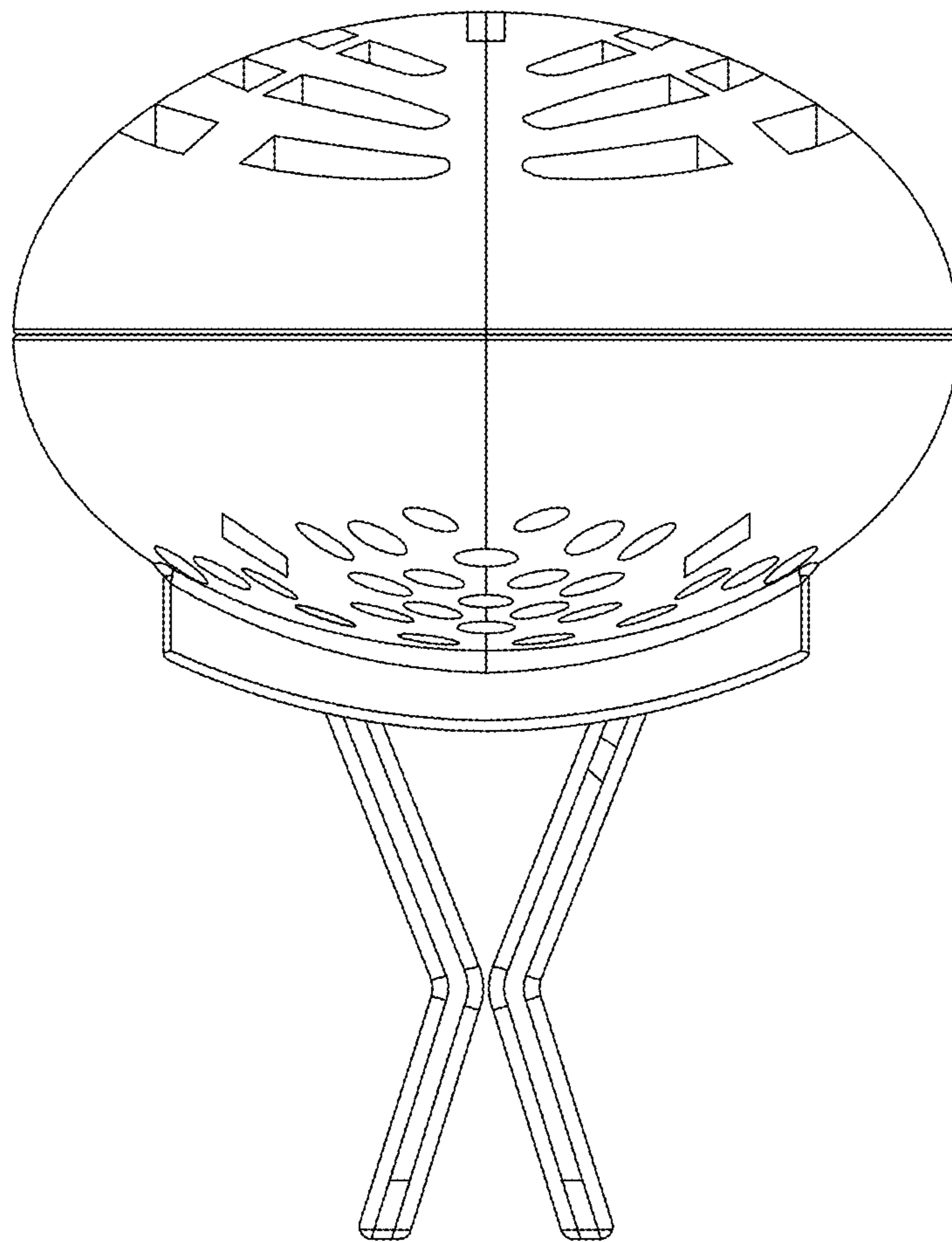


FIG. 2

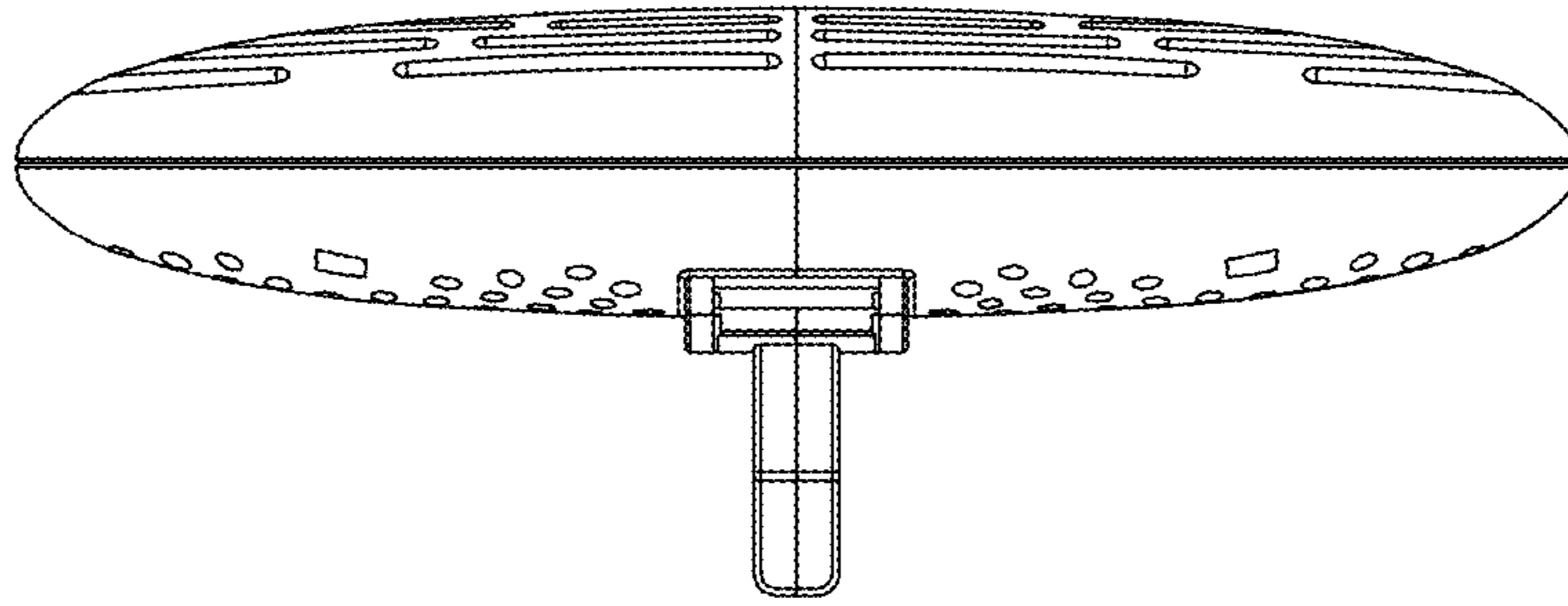


FIG. 3

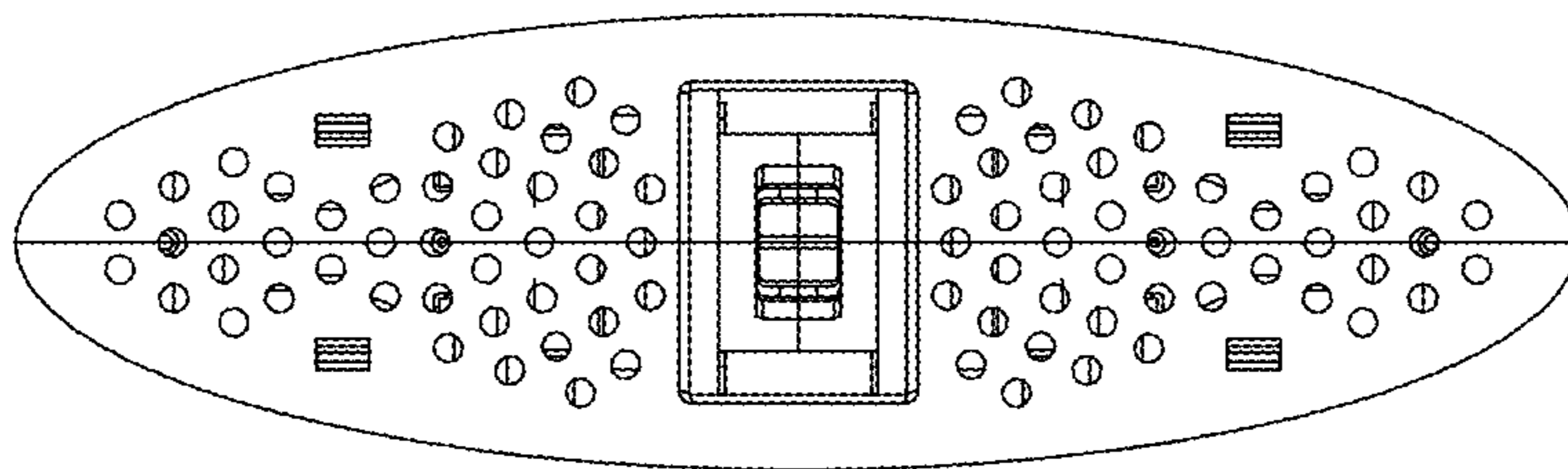


FIG. 4

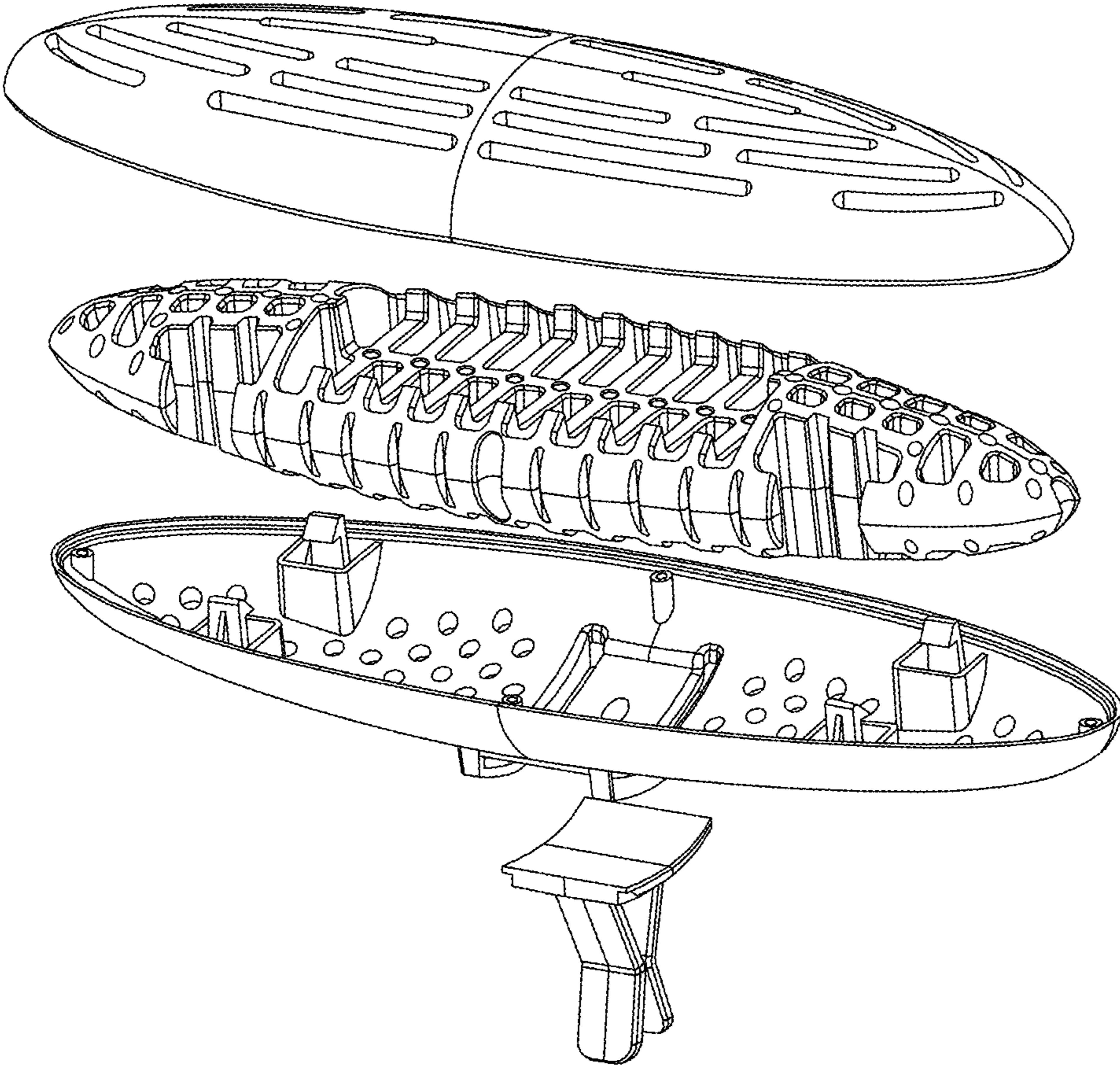


FIG. 5

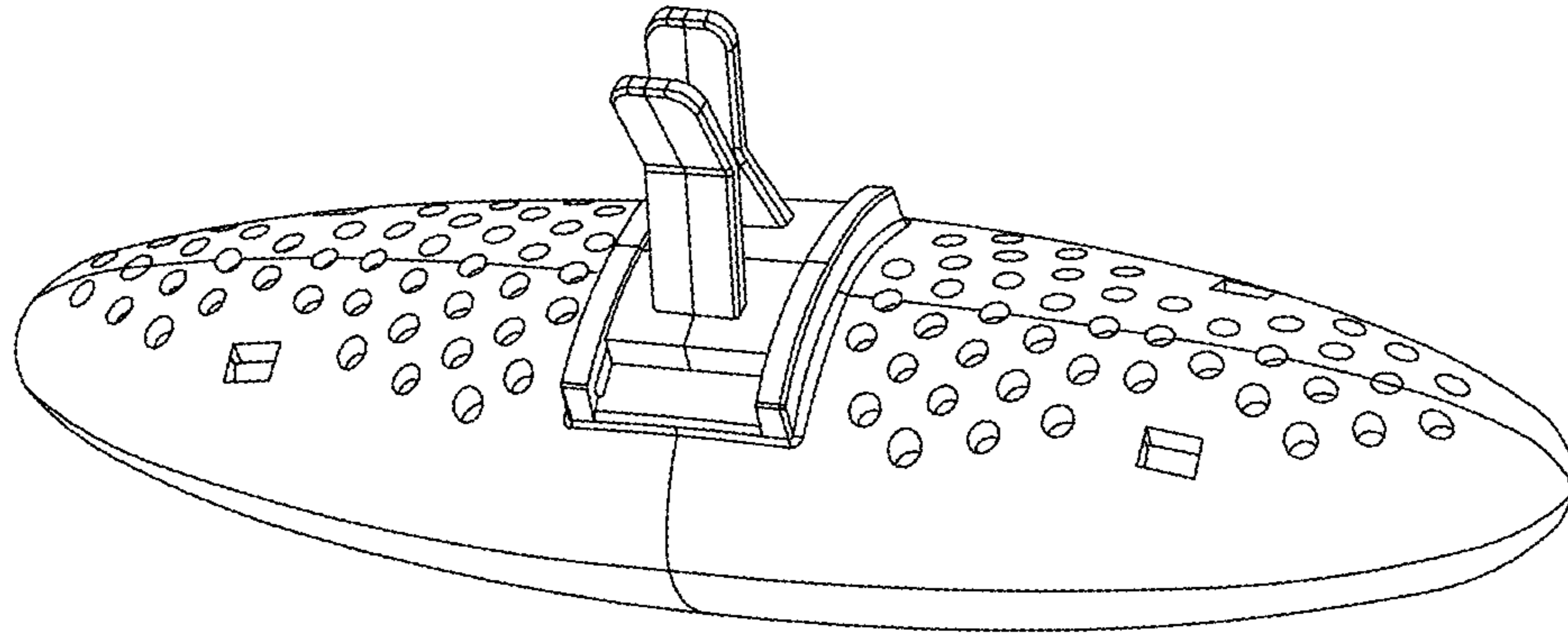


FIG. 6

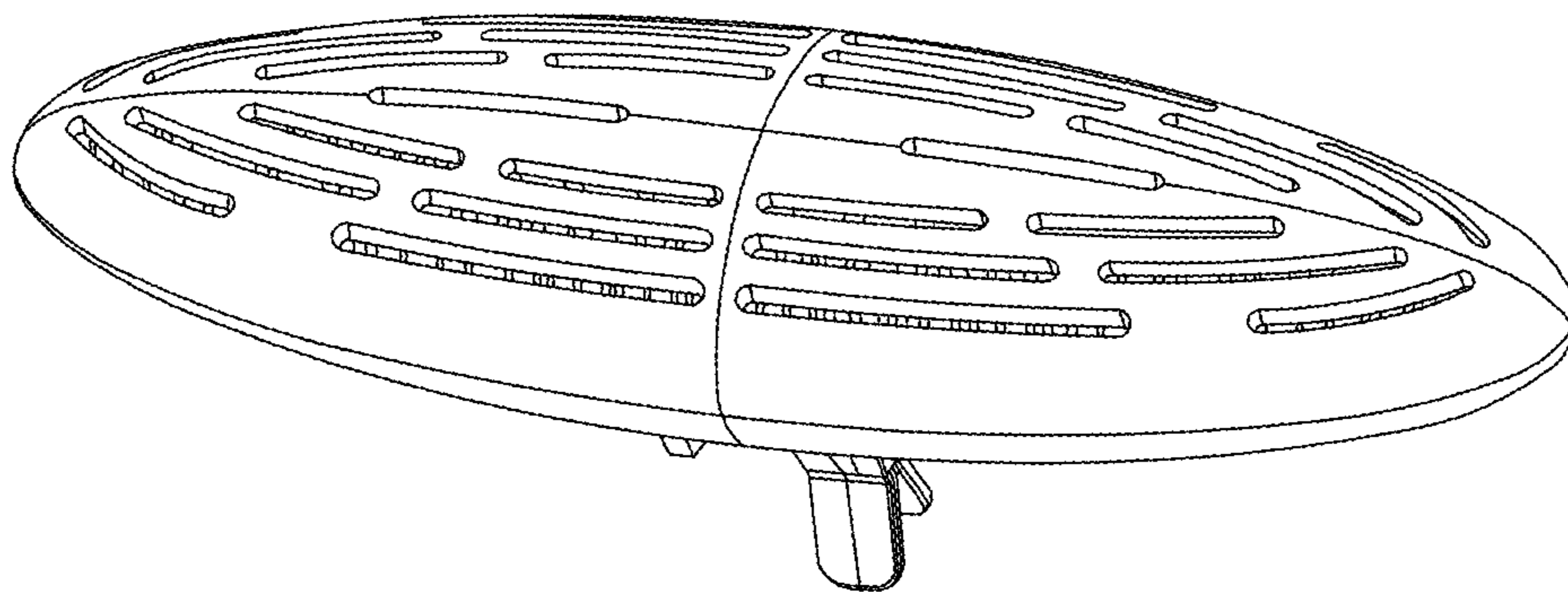


FIG. 7