



US00D911501S

(12) **United States Design Patent** (10) **Patent No.:** **US D911,501 S**
Goad (45) **Date of Patent:** **** Feb. 23, 2021**

(54) **TOILET TANK**
(71) Applicant: **Kohler Co.**, Kohler, WI (US)
(72) Inventor: **Robin Goad**, Sheboygan, WI (US)
(73) Assignee: **Kohler Co.**, Kohler, WI (US)
(**) Term: **15 Years**
(21) Appl. No.: **29/736,074**
(22) Filed: **May 27, 2020**

D514,208 S 1/2006 Gordon
D514,673 S 2/2006 Lanius
D515,186 S 2/2006 Lanius
D529,153 S 9/2006 Gordon
D585,128 S 1/2009 Slothower
D608,430 S 1/2010 Slothower
D637,703 S 5/2011 Corpuz
D639,918 S 6/2011 Bates
D641,459 S 7/2011 Corpuz, Jr.
D649,627 S 11/2011 Corpuz, Jr.
D678,490 S 3/2013 Corpuz, Jr.

Primary Examiner — Robert A Delehanty
(74) *Attorney, Agent, or Firm* — Lempia Summerfield
Katz LLC

Related U.S. Application Data

(62) Division of application No. 29/664,000, filed on Sep. 20, 2018, now Pat. No. Des. 893,002.
(51) **LOC (13) Cl.** **23-02**
(52) **U.S. Cl.**
USPC **D23/313**
(58) **Field of Classification Search**
USPC D23/295, 301, 303, 310, 313
CPC A47K 11/00
See application file for complete search history.

(57) **CLAIM**

I claim the ornamental design for a toilet tank, as shown and described.

DESCRIPTION

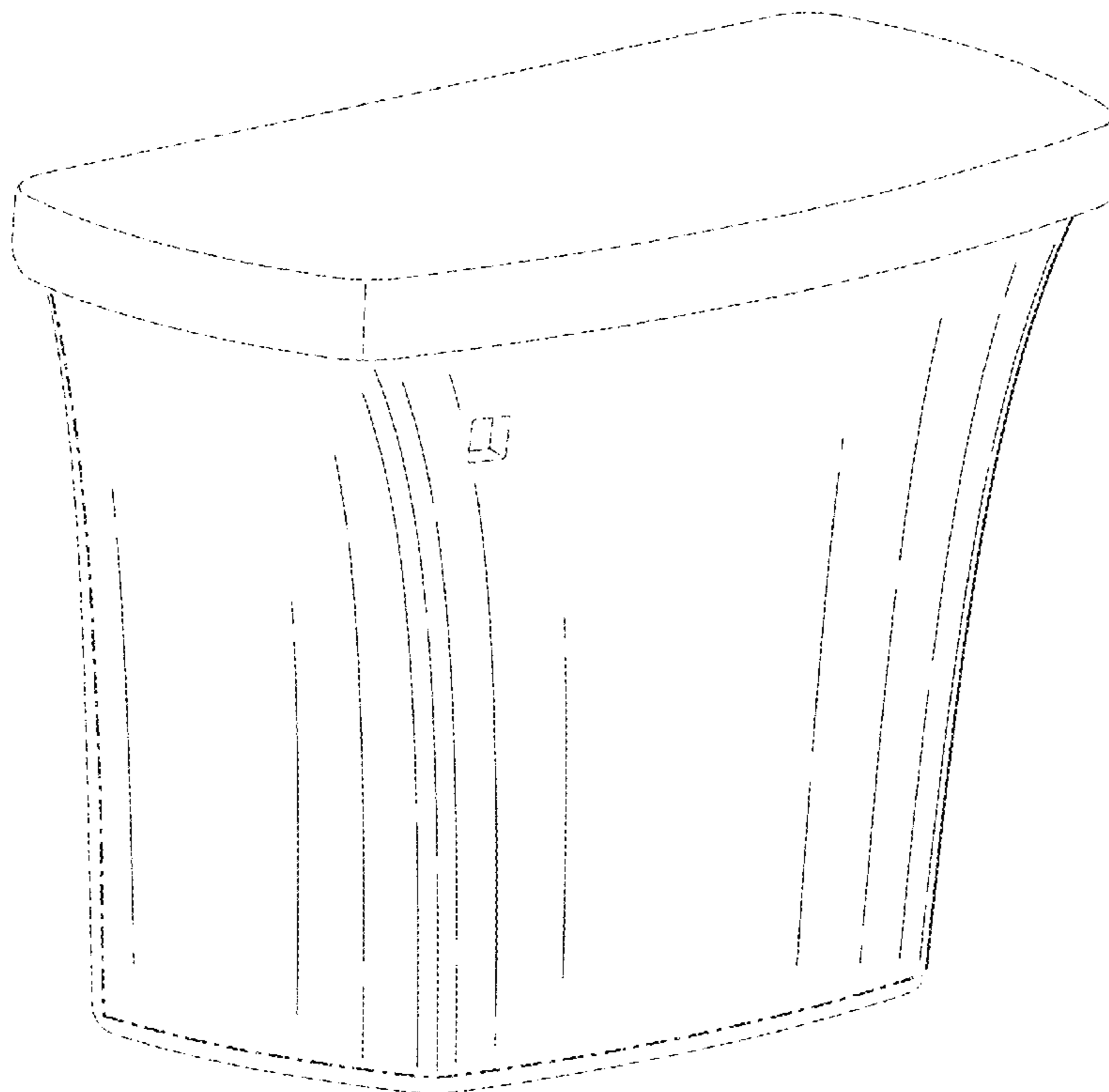
FIG. 1 is a perspective view of another embodiment of the claimed design;
FIG. 2 is a front view of the embodiment of FIG. 1;
FIG. 3 is a rear view of the embodiment of FIG. 1;
FIG. 4 is a side view of the embodiment of FIG. 1;
FIG. 5 is another side view of the embodiment of FIG. 1;
FIG. 6 is a top view of the embodiment of FIG. 1; and,
FIG. 7 is a bottom view of the embodiment of FIG. 1.
The ornamental design which is claimed is shown in solid lines in the drawings. The broken lines in the drawings are for illustrative purposes only and form no part of the claimed design. Broken lines formed of unequal length dashes (i.e., dash-dot) define bounds of the claimed design.

(56) **References Cited**

U.S. PATENT DOCUMENTS

D379,217 S 5/1997 Kergoet
D390,933 S 2/1998 Slothower
D415,583 S 10/1999 Byers
D441,437 S 5/2001 McKeone
D451,175 S 11/2001 Smith
D471,621 S 3/2003 Bennie

1 Claim, 5 Drawing Sheets



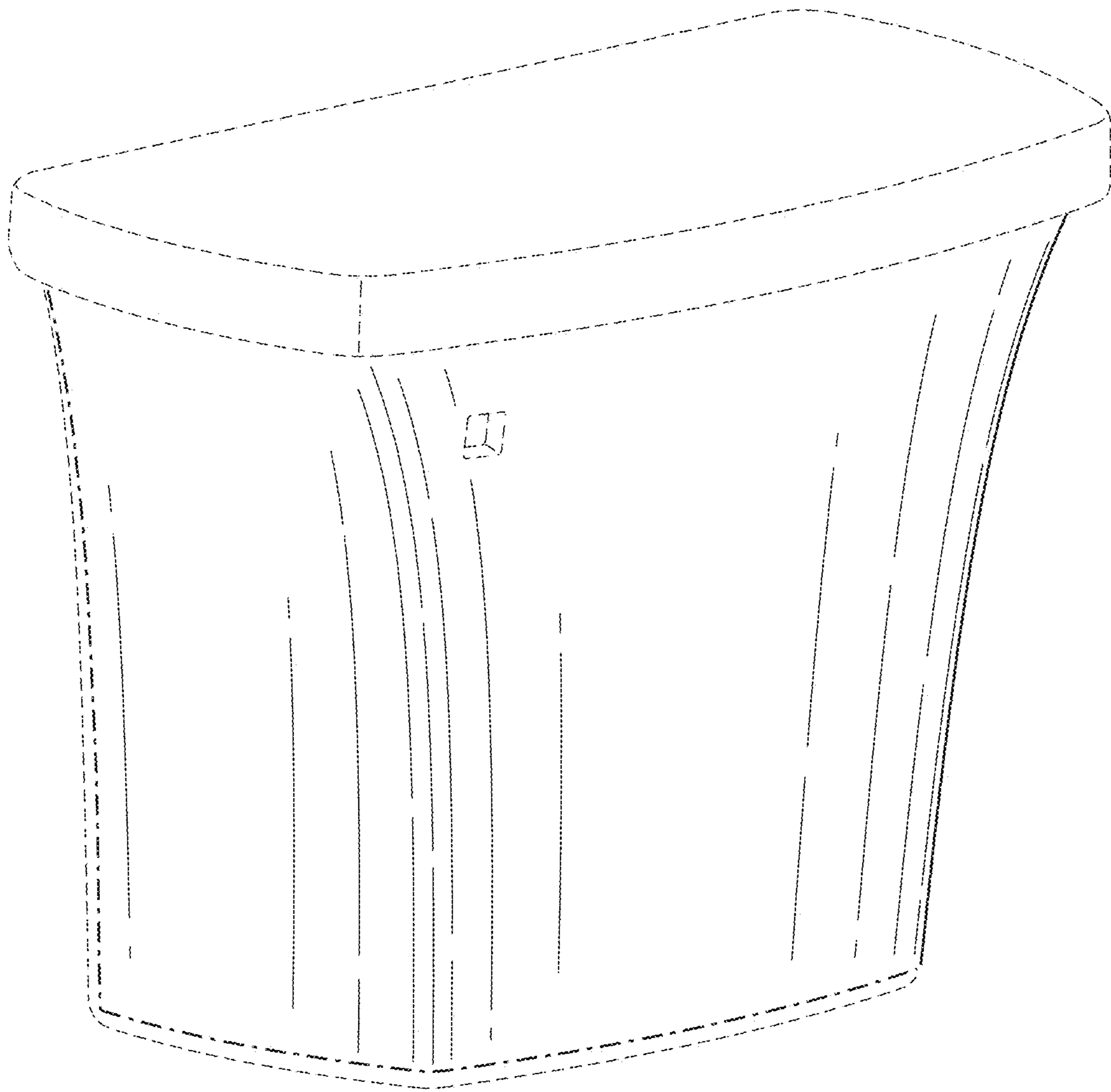


FIG. 1

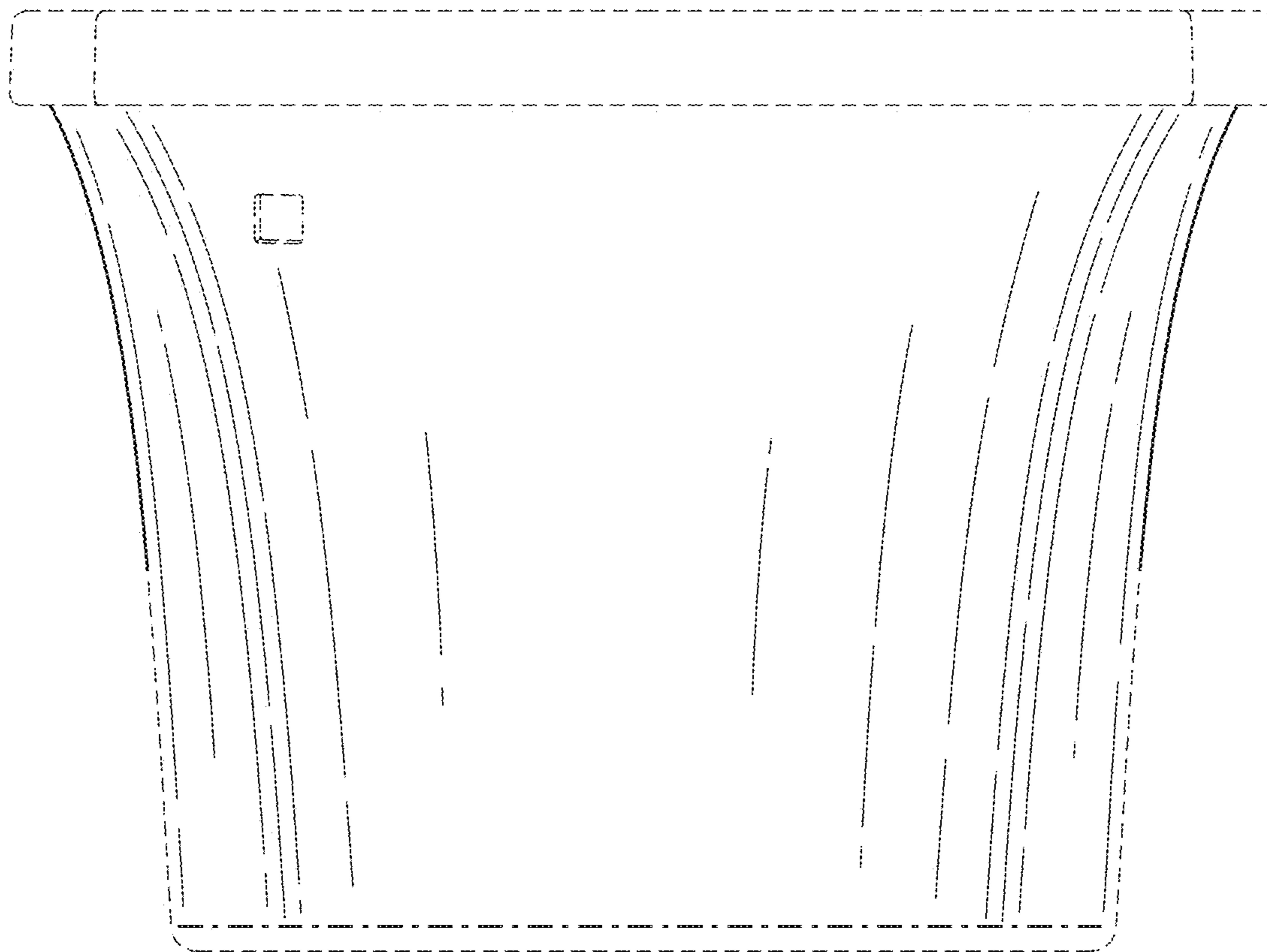


FIG. 2

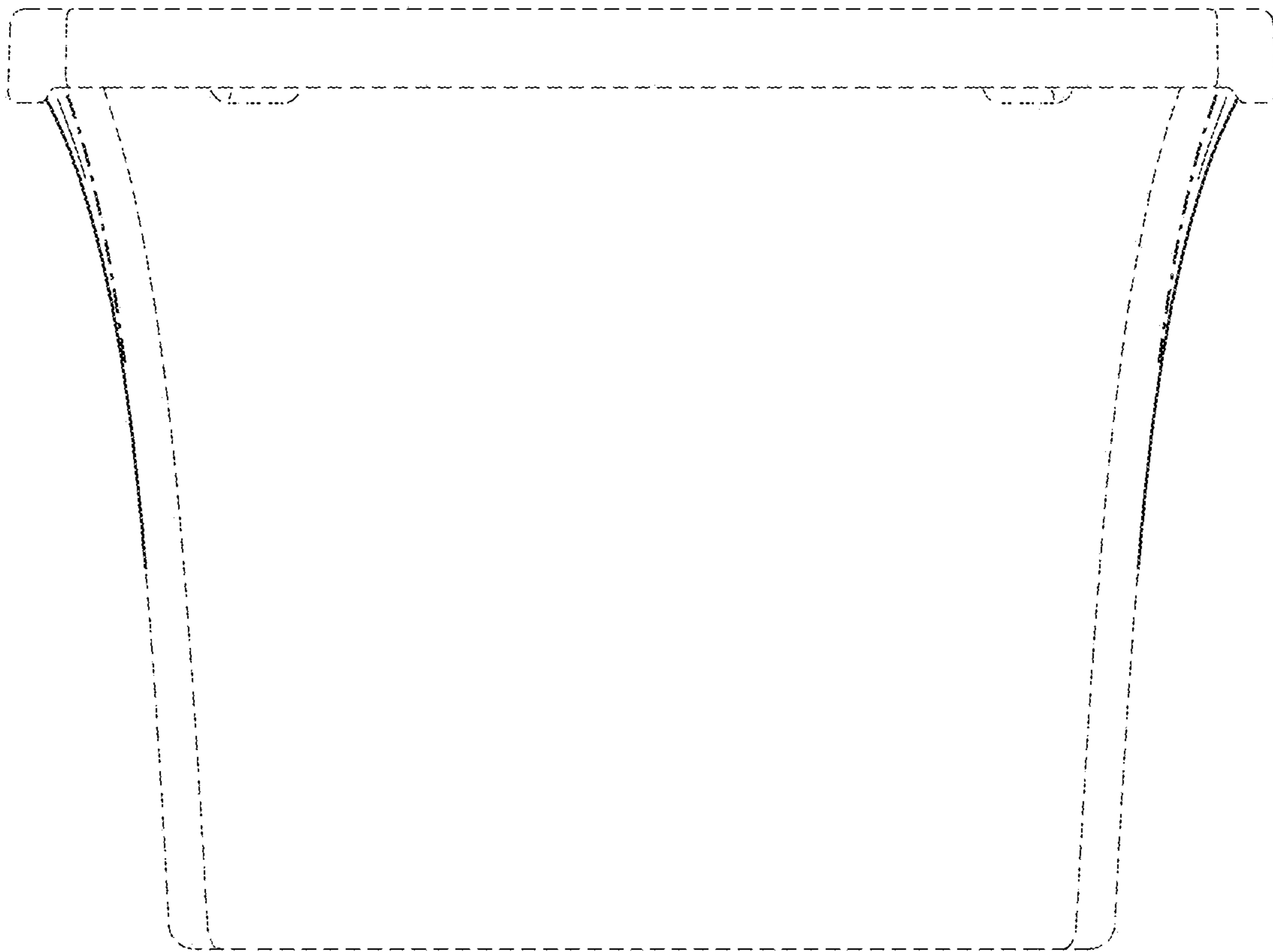


FIG. 3

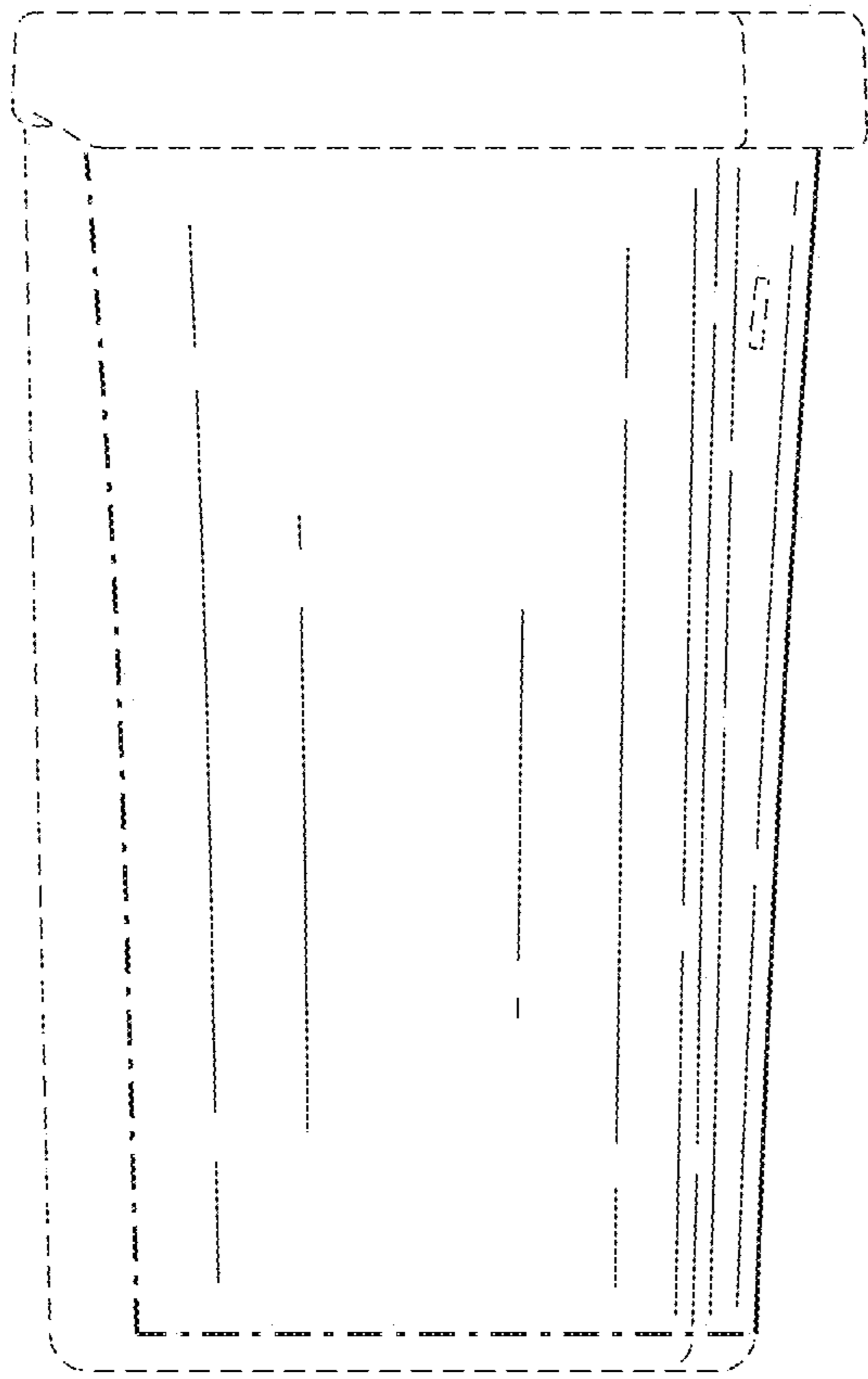


FIG. 4

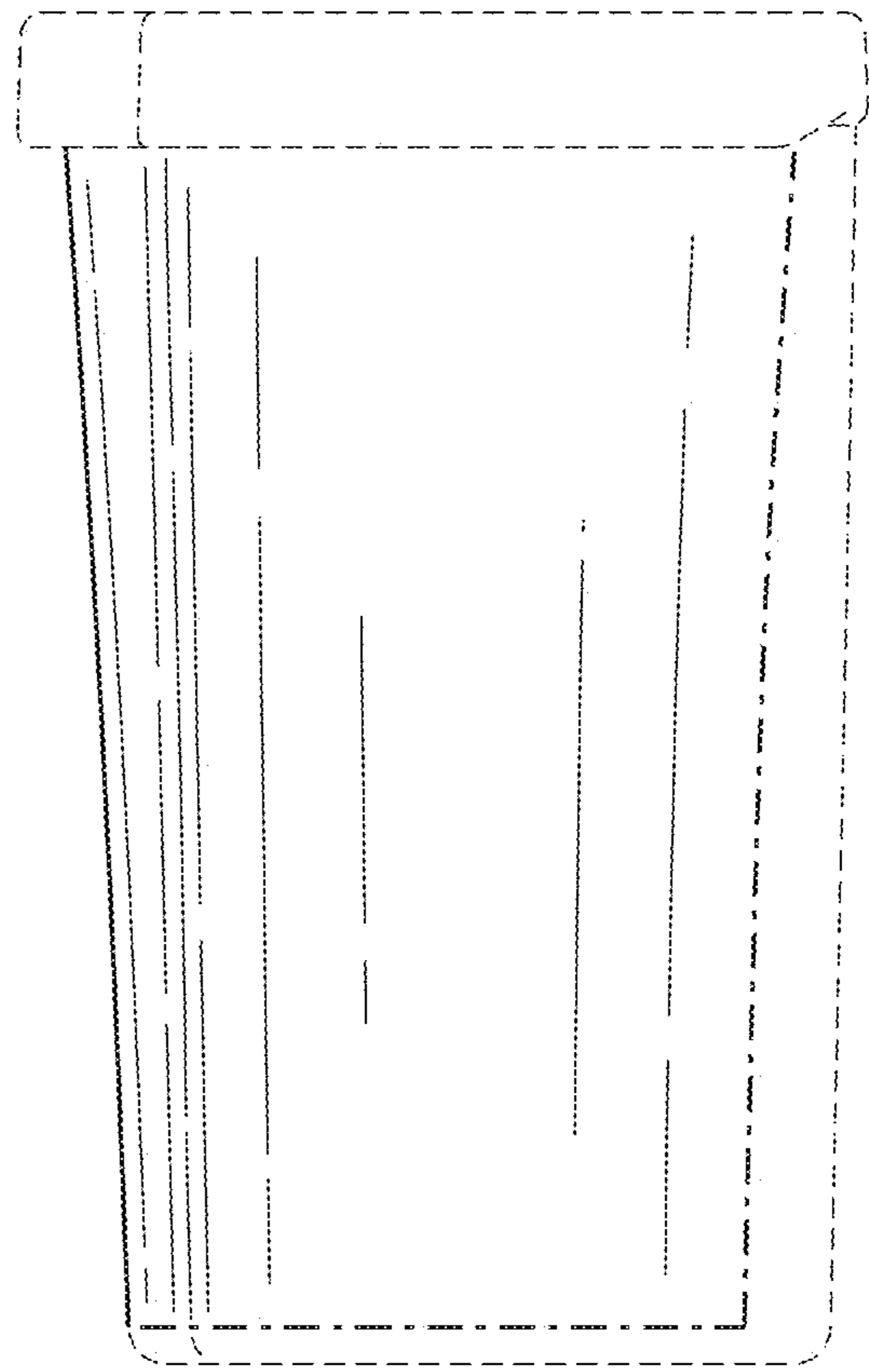


FIG. 5

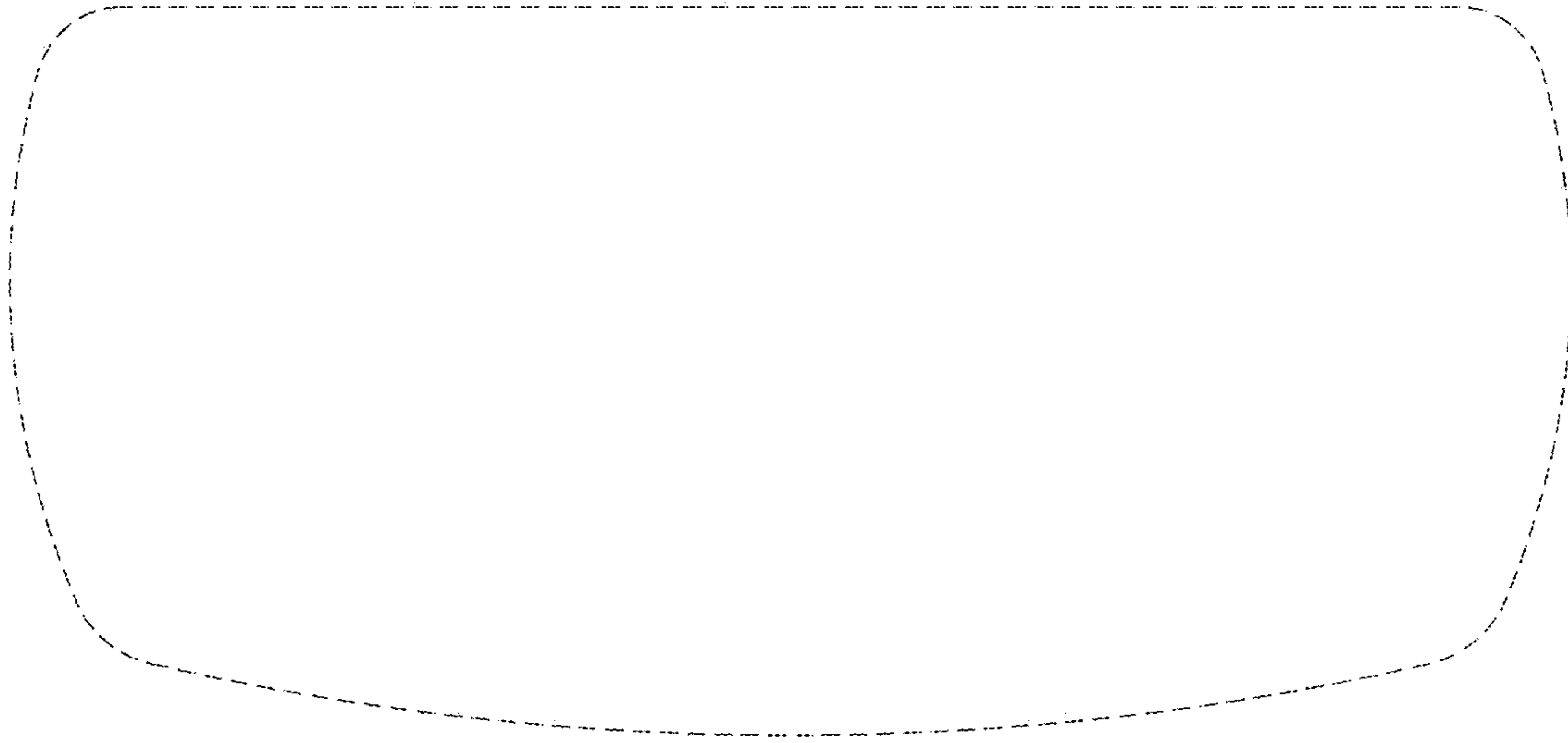


FIG. 6

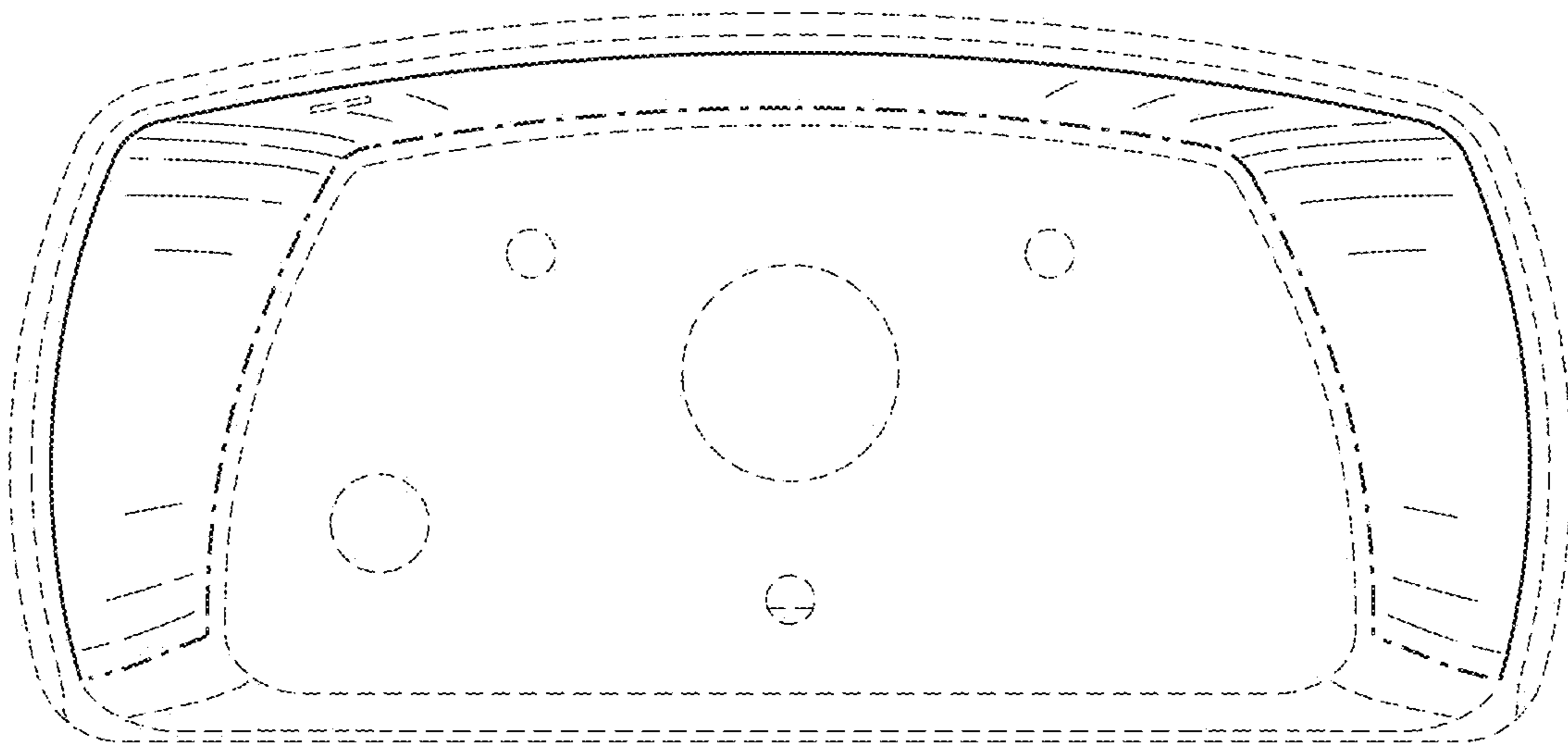


FIG. 7