



US00D911500S

(12) **United States Design Patent** (10) **Patent No.:** **US D911,500 S**  
**Panseri** (45) **Date of Patent:** **\*\* Feb. 23, 2021**

(54) **PUBLIC URINAL**

(71) Applicant: **Despe S.p.A.**, Torre de' Roveri (IT)  
(72) Inventor: **Roberto Panseri**, Torre de' Roveri (IT)  
(73) Assignee: **DESPE S.P.A.**, Torre de' Roveri (IT)  
(\*\*) Term: **15 Years**

(21) Appl. No.: **35/507,561**  
(22) Filed: **Jan. 8, 2019**

(80) **Hague Agreement Data**  
Int. Filing Date: **Jan. 8, 2019**  
Int. Reg. No.: **DM/203523**  
Int. Reg. Date: **Jan. 8, 2019**  
Int. Reg. Pub. Date: **Oct. 25, 2019**

(30) **Foreign Application Priority Data**  
Jul. 11, 2018 (IT) ..... 402018000002679  
(51) **LOC (13) Cl.** ..... **23-02**  
(52) **U.S. Cl.**  
USPC ..... **D23/302**  
CPC ..... **E03D 1/00** (2013.01)  
(58) **Field of Classification Search**  
USPC ..... D23/270, 274, 295, 299, 300, 302, 309;  
4/144.1, 310, 311, 340-342, 644, 665  
CPC ..... E03D 1/00; E03D 1/003; E03D 1/005;  
E03D 5/003; E03D 5/006; E03D 5/016;  
E03D 11/025; E03D 13/00; E03D 13/005;  
E03D 13/007; A61G 9/006; A47K 11/00;  
A47K 11/02; A47K 11/04; A47K 11/06;  
A47K 11/12; A47K 13/24; B64D 11/02  
See application file for complete search history.

(56) **References Cited**

U.S. PATENT DOCUMENTS

D195,617 S *	7/1963	Eger .....	D23/302
D396,095 S *	7/1998	Tilton .....	D23/302
5,806,107 A *	9/1998	Tilton .....	E03D 13/00 4/301
D545,418 S *	6/2007	Cummings .....	D23/302
D545,948 S *	7/2007	Cummings .....	D23/302
D548,820 S *	8/2007	Cummings .....	D23/302
D548,821 S *	8/2007	Cummings .....	D23/302
D556,302 S *	11/2007	Paterson .....	D23/302
D556,303 S *	11/2007	Paterson .....	D23/302
D577,434 S *	9/2008	Stebler .....	D24/122
D579,556 S *	10/2008	Stebler .....	D24/122
D618,322 S *	6/2010	Keller .....	D23/302
D747,237 S *	1/2016	Nalgabatz .....	D11/148
D747,786 S *	1/2016	Ahola .....	D23/302
D801,492 S *	10/2017	Schmed .....	D23/302

\* cited by examiner

*Primary Examiner* — Richard E Chilcot  
(74) *Attorney, Agent, or Firm* — McAndrews, Held & Malloy, Ltd.

(57) **CLAIM**

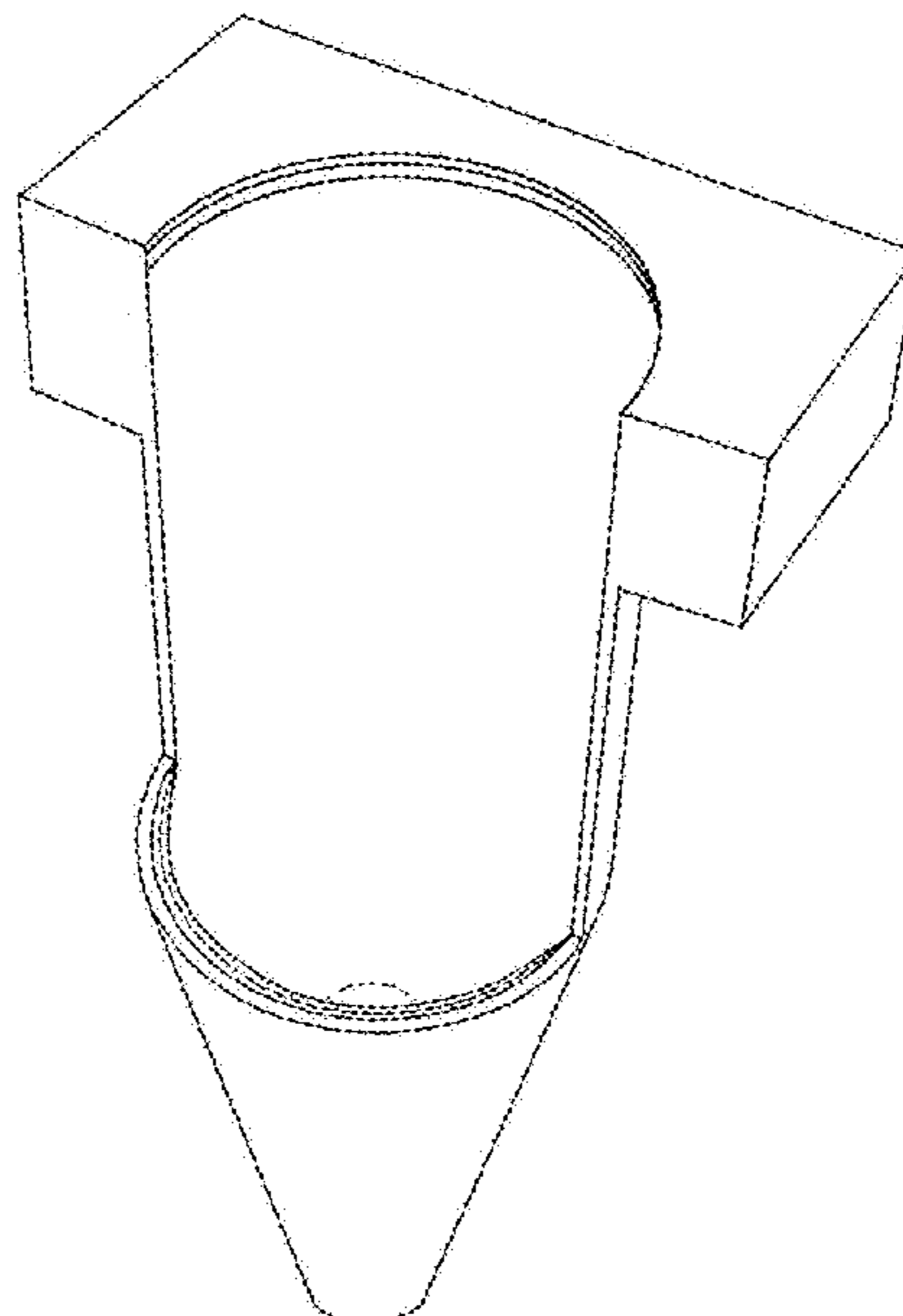
The ornamental design for a public urinal, as shown and described.

**DESCRIPTION**

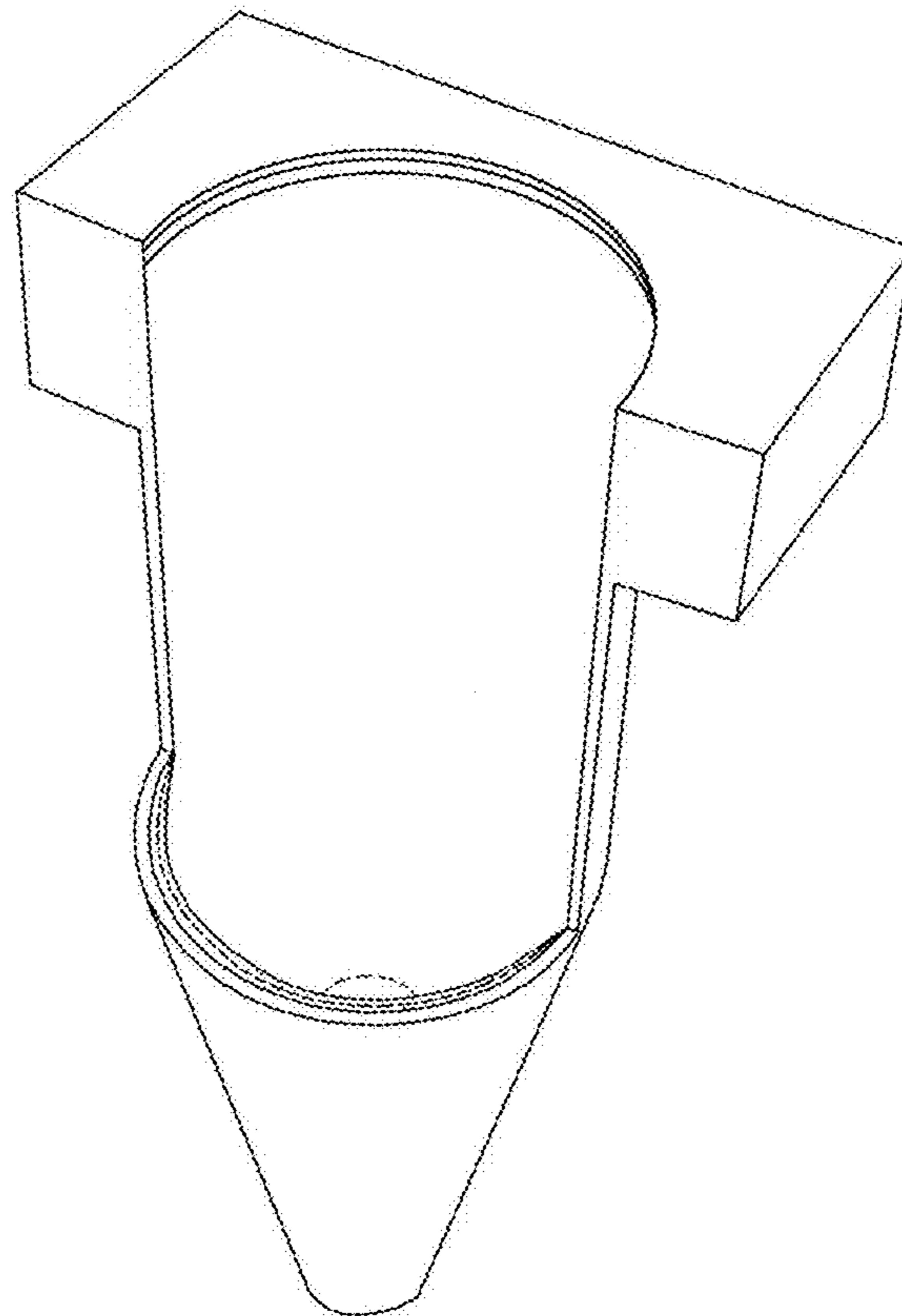
- 1. Public urinal
- 1.1 : Perspective
- 1.2 : Front
- 1.3 : Back
- 1.4 : Left
- 1.5 : Right
- 1.6 : Top
- 1.7 : Bottom

The broken lines in the drawings illustrate portions of the public urinal that form no part of the claimed design.

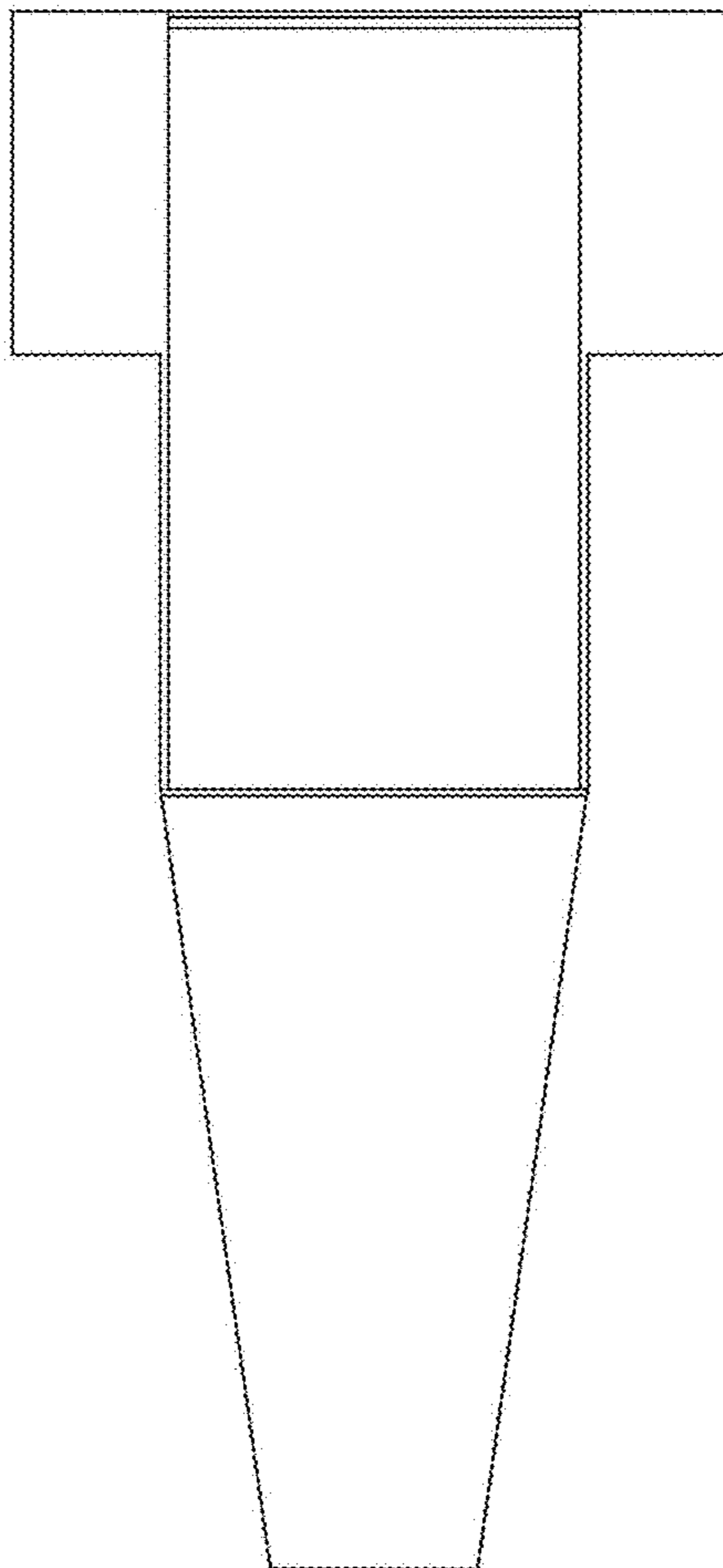
**1 Claim, 7 Drawing Sheets**



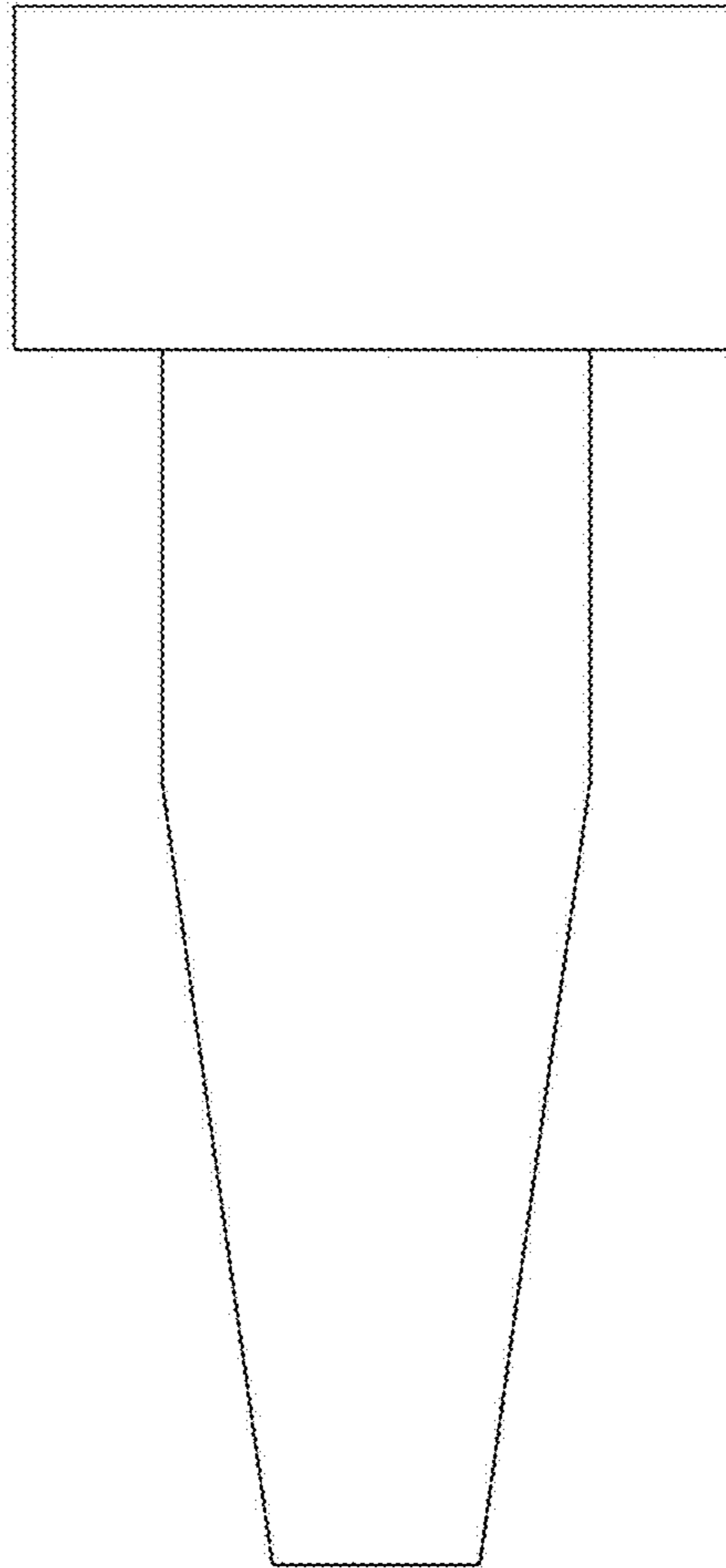
1.1



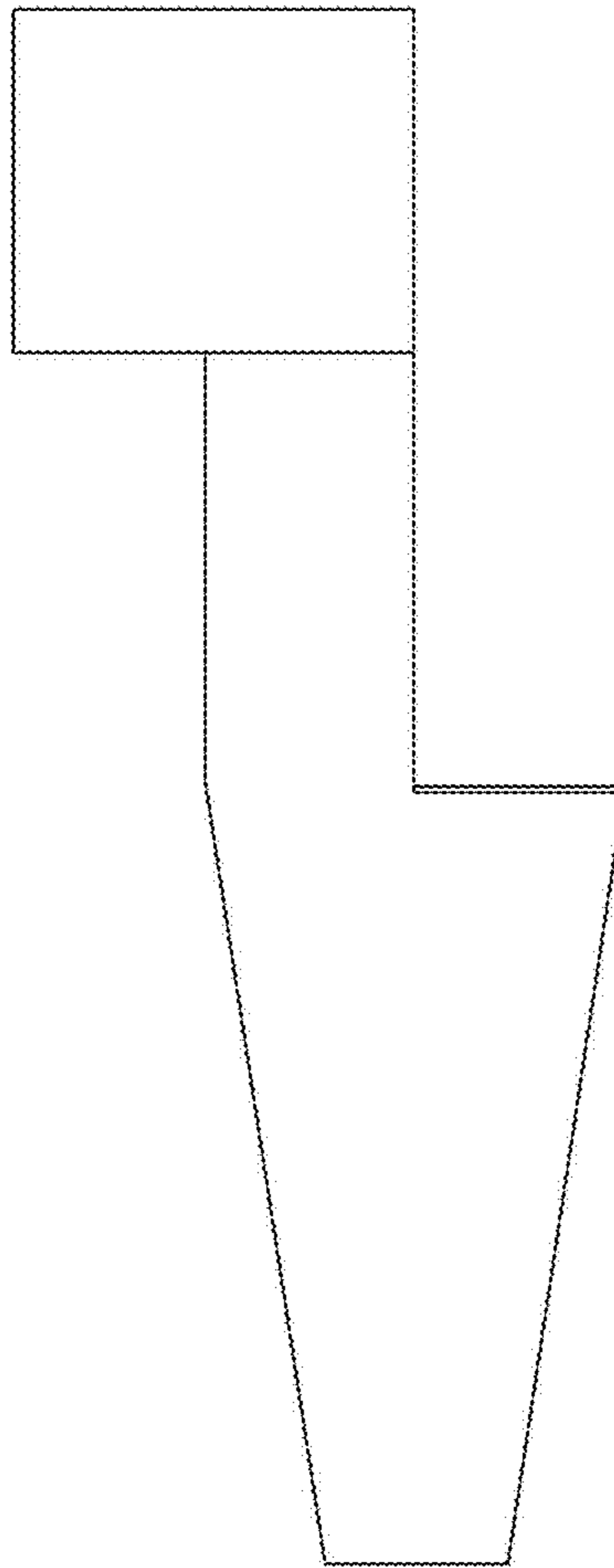
1.2



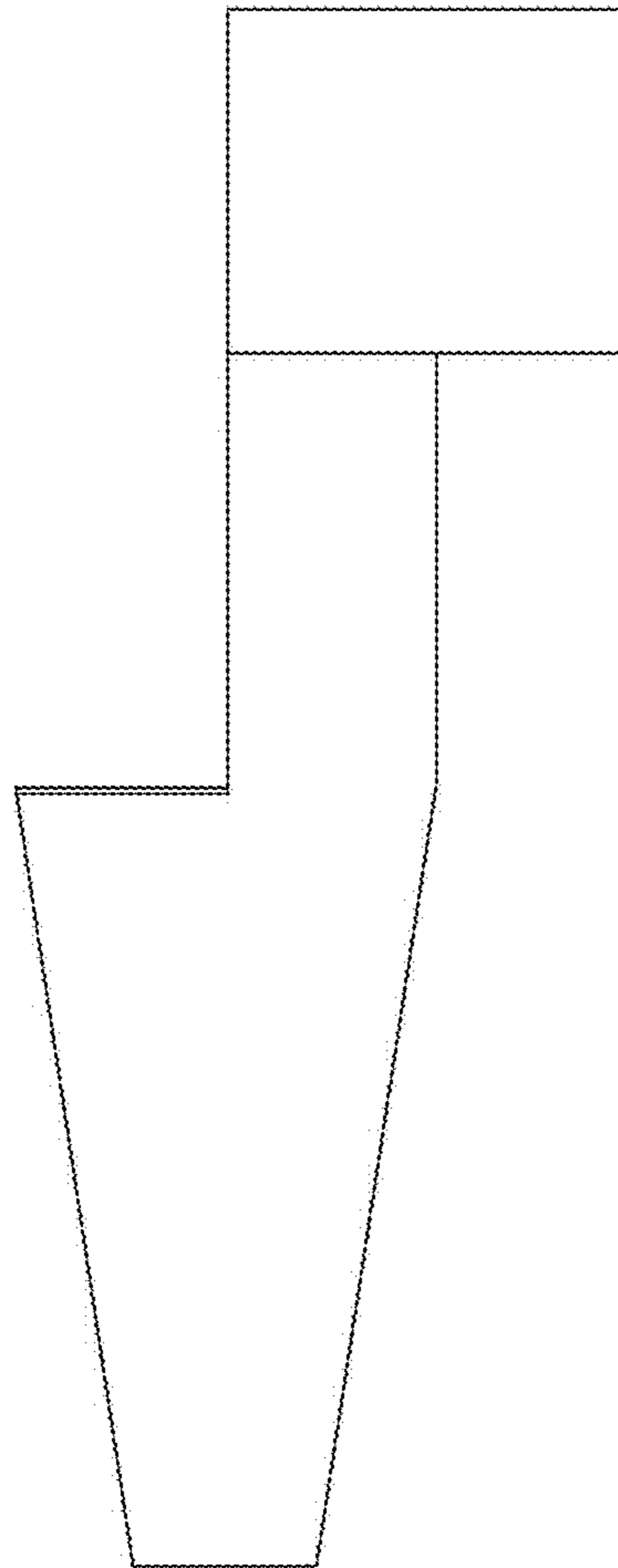
1.3



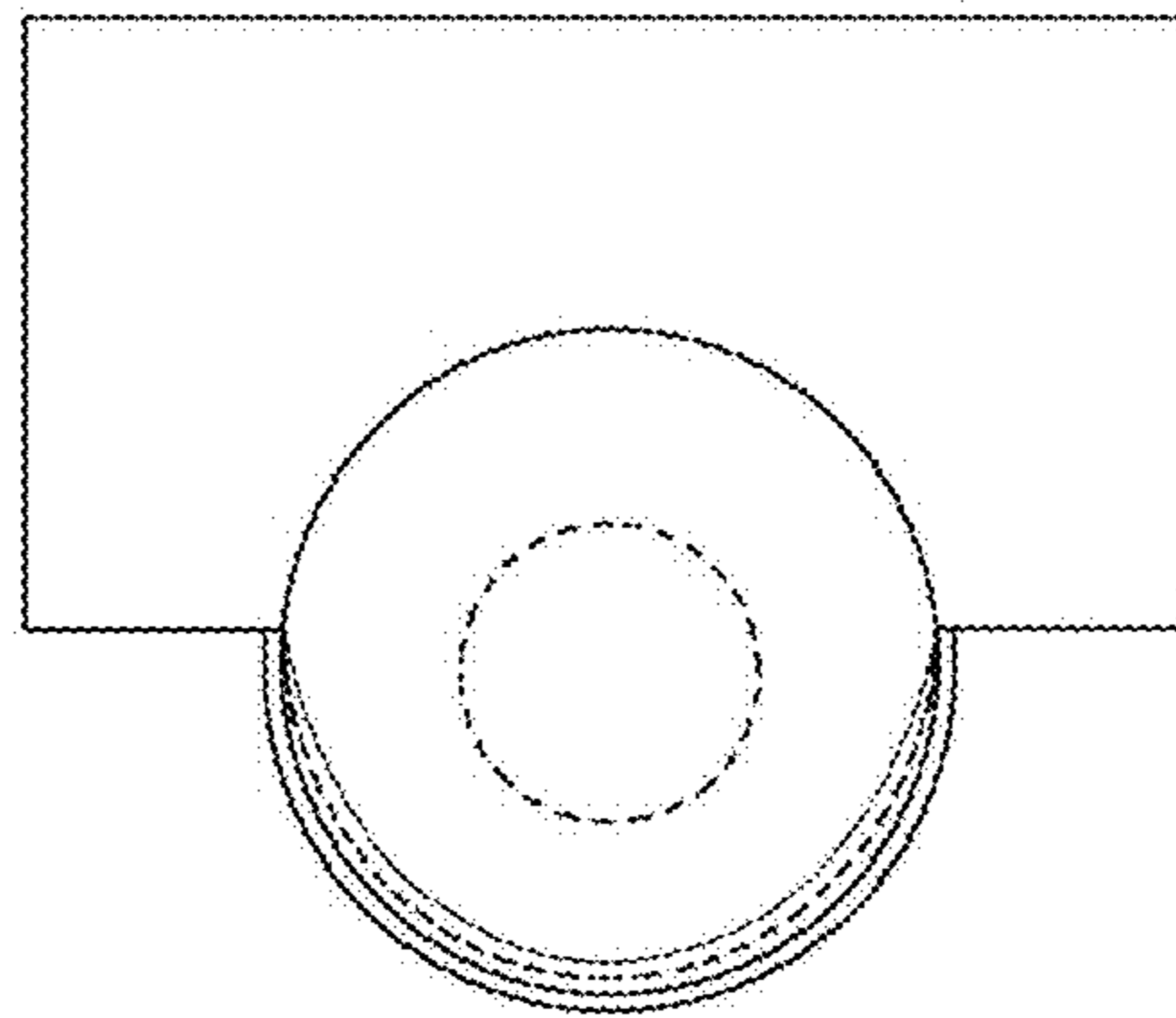
1.4



1.5



1.6



1.7

