



US00D911499S

(12) **United States Design Patent** (10) **Patent No.:** **US D911,499 S**  
**Chong** (45) **Date of Patent:** **\*\* Feb. 23, 2021**

(54) **SINK**

(71) Applicant: **Elkay Manufacturing Company**,  
Downers Grove, IL (US)  
(72) Inventor: **Jonathan Chee Yeen Chong**, Chicago,  
IL (US)  
(73) Assignee: **Elkay Manufacturing Company**,  
Downers Grove, IL (US)

(\*\*) Term: **15 Years**  
(21) Appl. No.: **29/733,797**  
(22) Filed: **May 6, 2020**

**Related U.S. Application Data**

(62) Division of application No. 16/746,086, filed on Jan.  
17, 2020.  
(51) **LOC (13) Cl.** ..... **23-02**  
(52) **U.S. Cl.**  
USPC ..... **D23/284**  
(58) **Field of Classification Search**  
USPC ..... D23/284, 286, 293.1, 308  
CPC ..... A47B 77/06  
See application file for complete search history.

(56) **References Cited**

U.S. PATENT DOCUMENTS

D575,379 S *	8/2008	Ziemann .....	D23/284
D631,143 S *	1/2011	Thomas .....	D23/284
D670,367 S *	11/2012	Miller .....	D23/308
D694,377 S *	11/2013	Mustee .....	D23/284
D799,648 S *	10/2017	Chong .....	D23/284
D849,893 S *	5/2019	Chen .....	D23/287

\* cited by examiner

*Primary Examiner* — Robert A Delehanty  
(74) *Attorney, Agent, or Firm* — Neal, Gerber &  
Eisenberg LLP; Tanvi B. Patel; Nawshaba M. Siddiquee

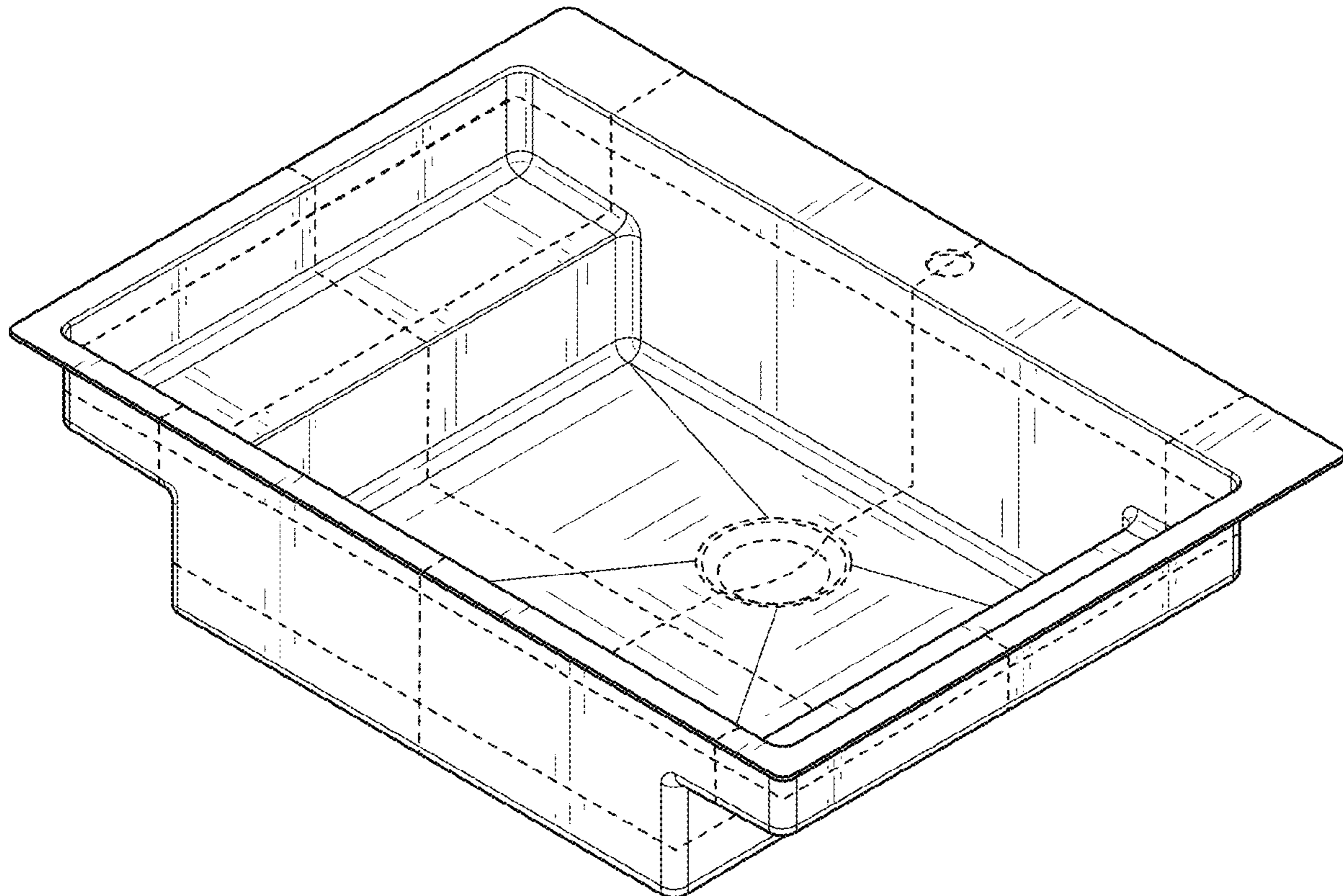
(57) **CLAIM**

The ornamental design for a sink, as shown and described.

**DESCRIPTION**

FIG. 1 is a front perspective view of a sink, showing our new design.  
FIG. 2 is a front elevation view thereof.  
FIG. 3 is a rear elevation view thereof.  
FIG. 4 is a first side elevation view thereof.  
FIG. 5 is a second side elevation view thereof.  
FIG. 6 is a top plan view thereof; and,  
FIG. 7 is a bottom plan view thereof.  
The broken lines shown in the drawing views are for illustrative purposes and form no part of the claim design.

**1 Claim, 7 Drawing Sheets**



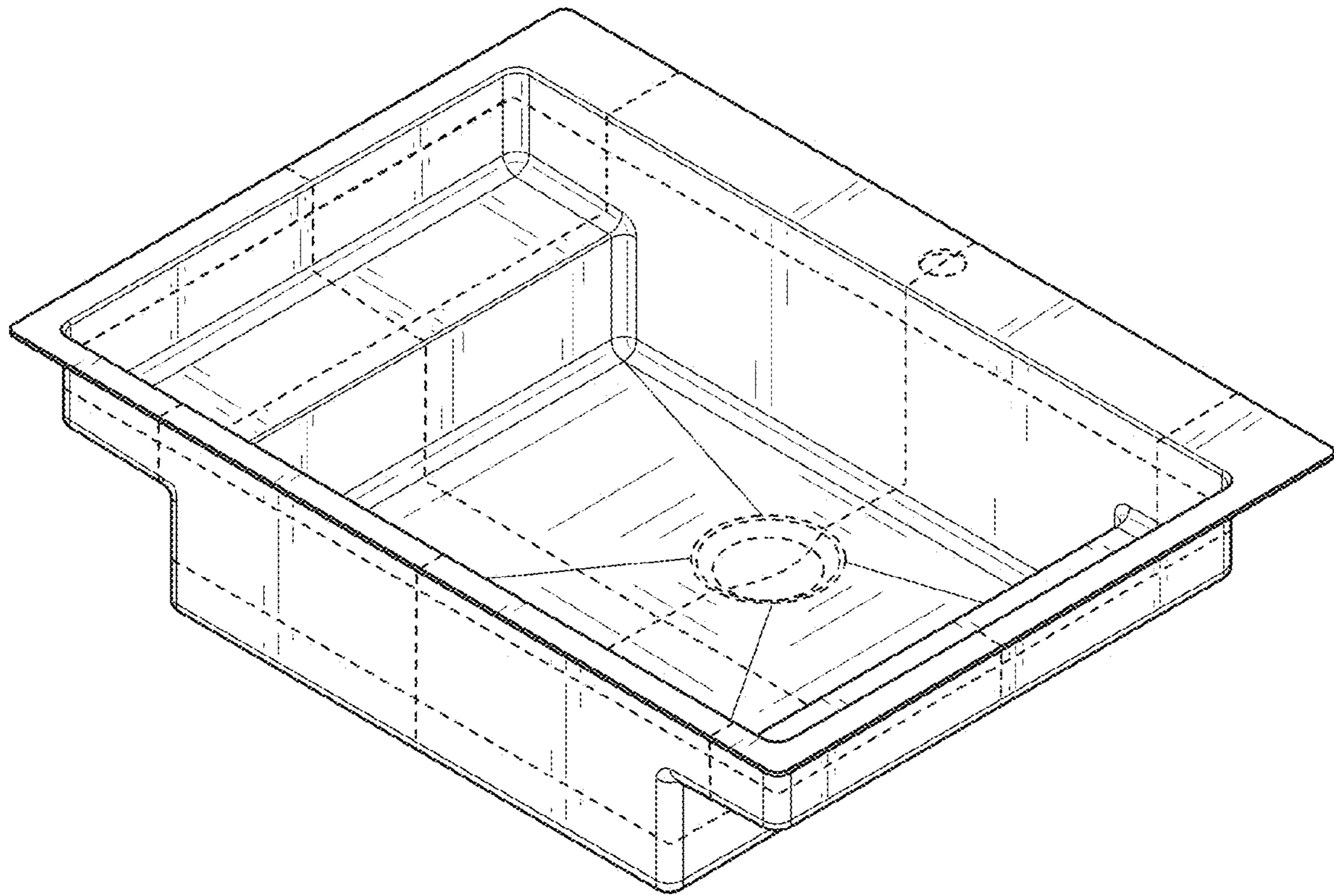


FIG. 1

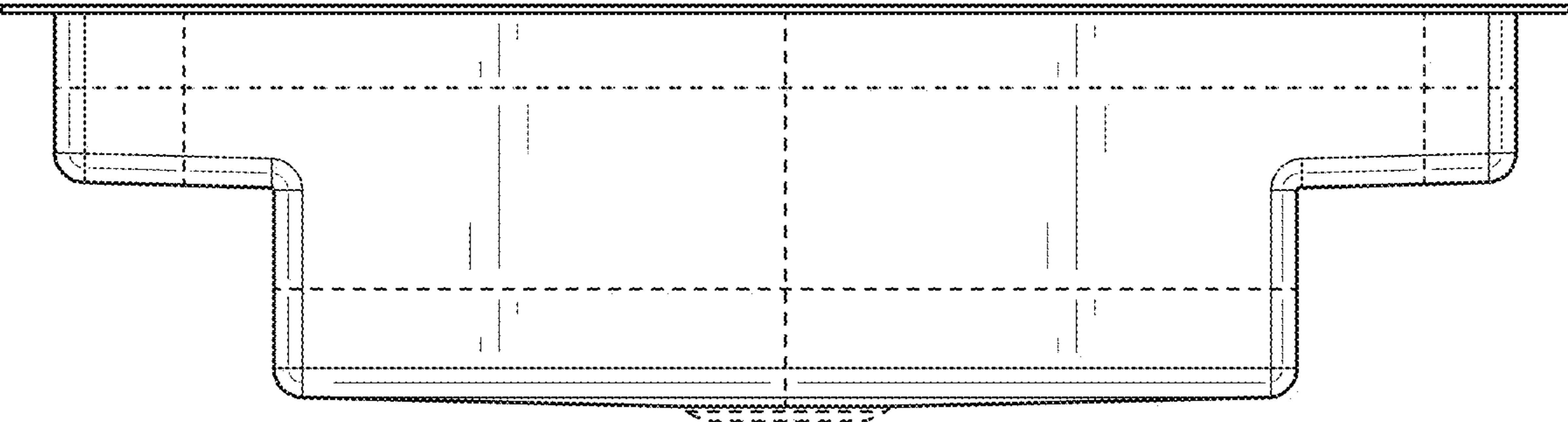


FIG. 2

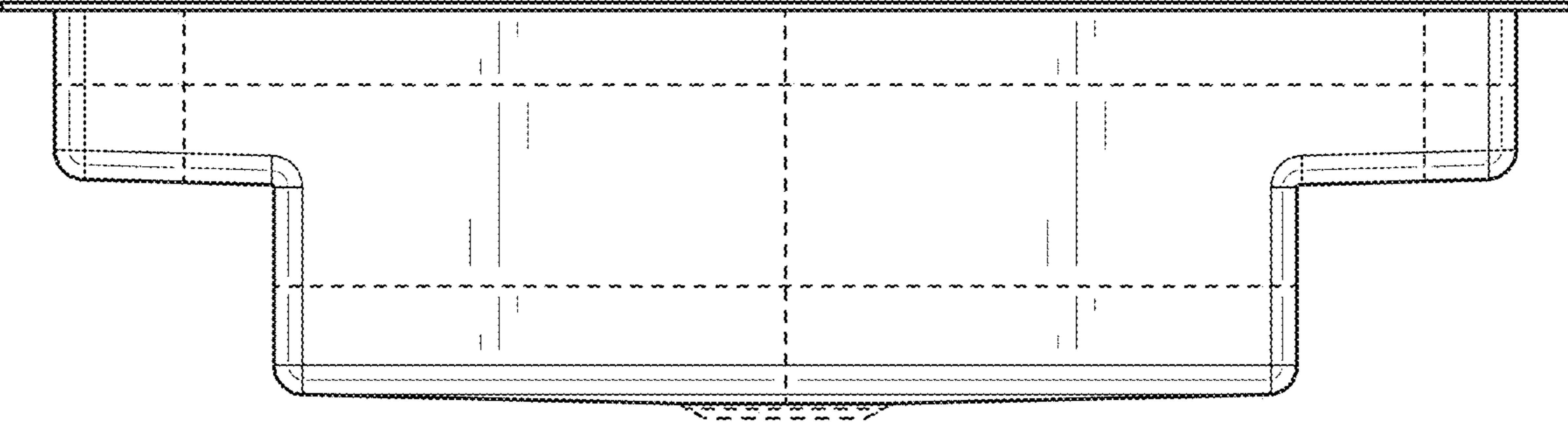


FIG. 3

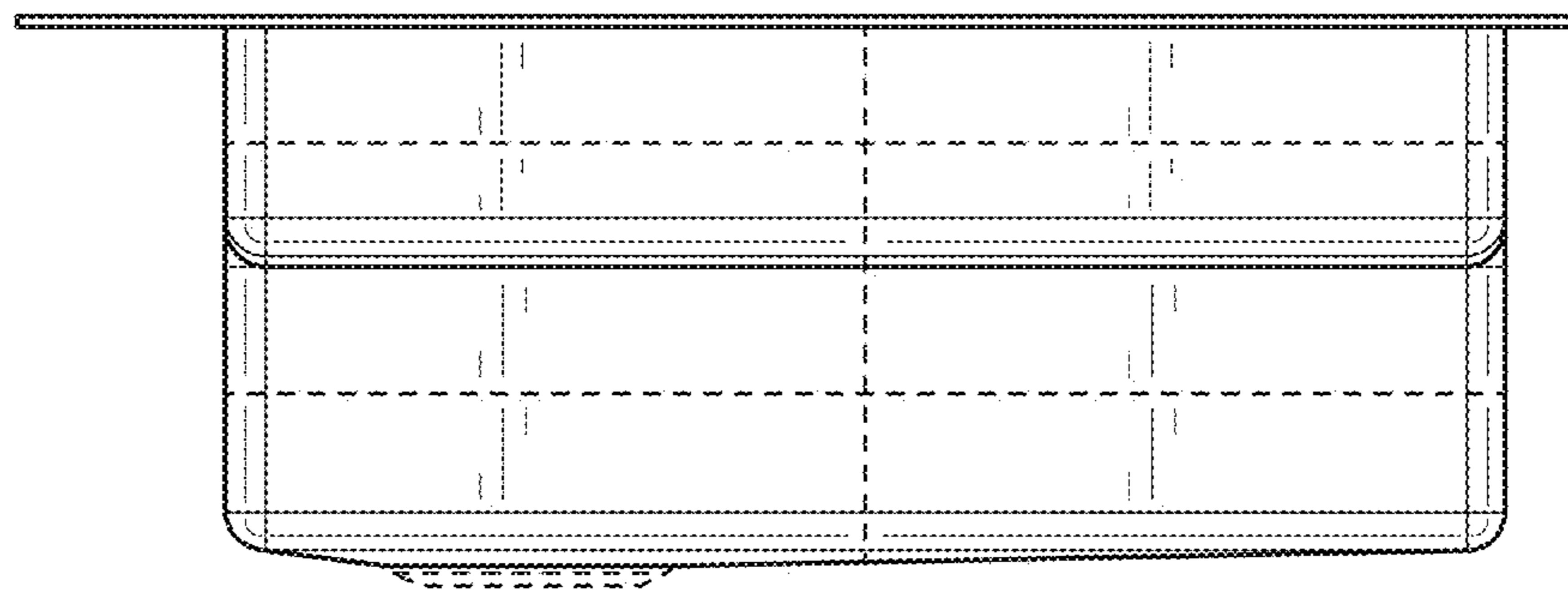


FIG. 4

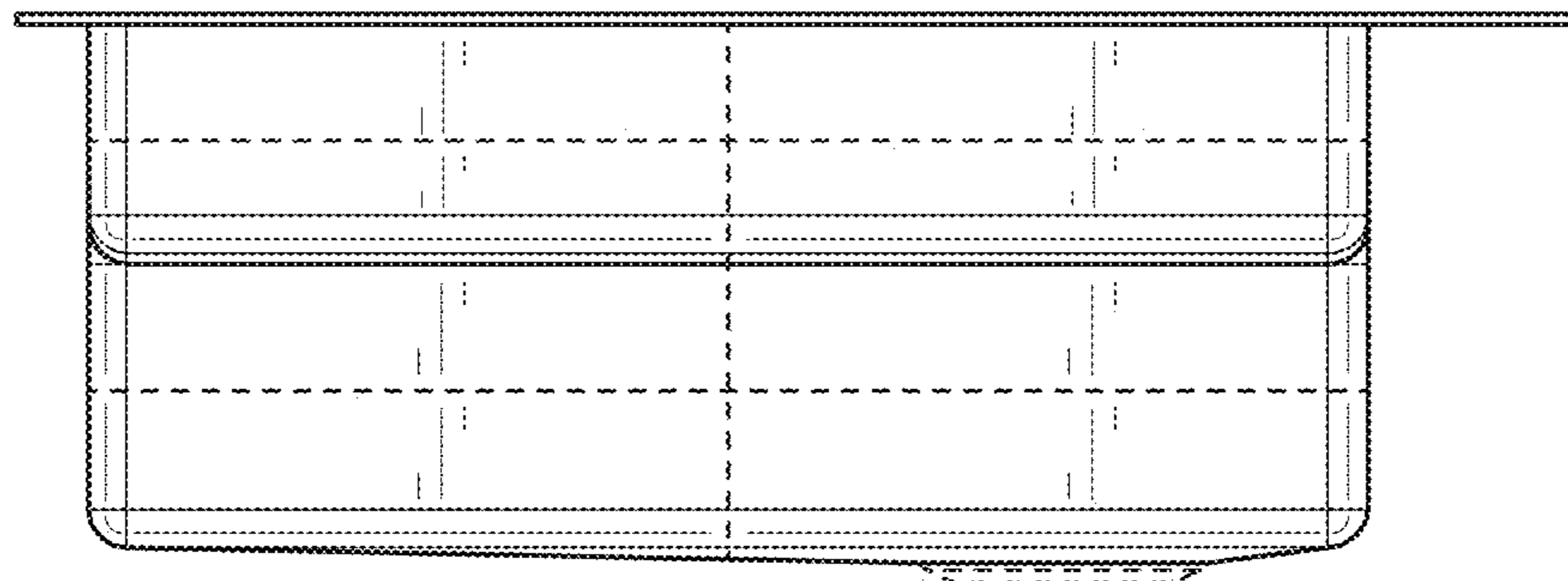


FIG. 5

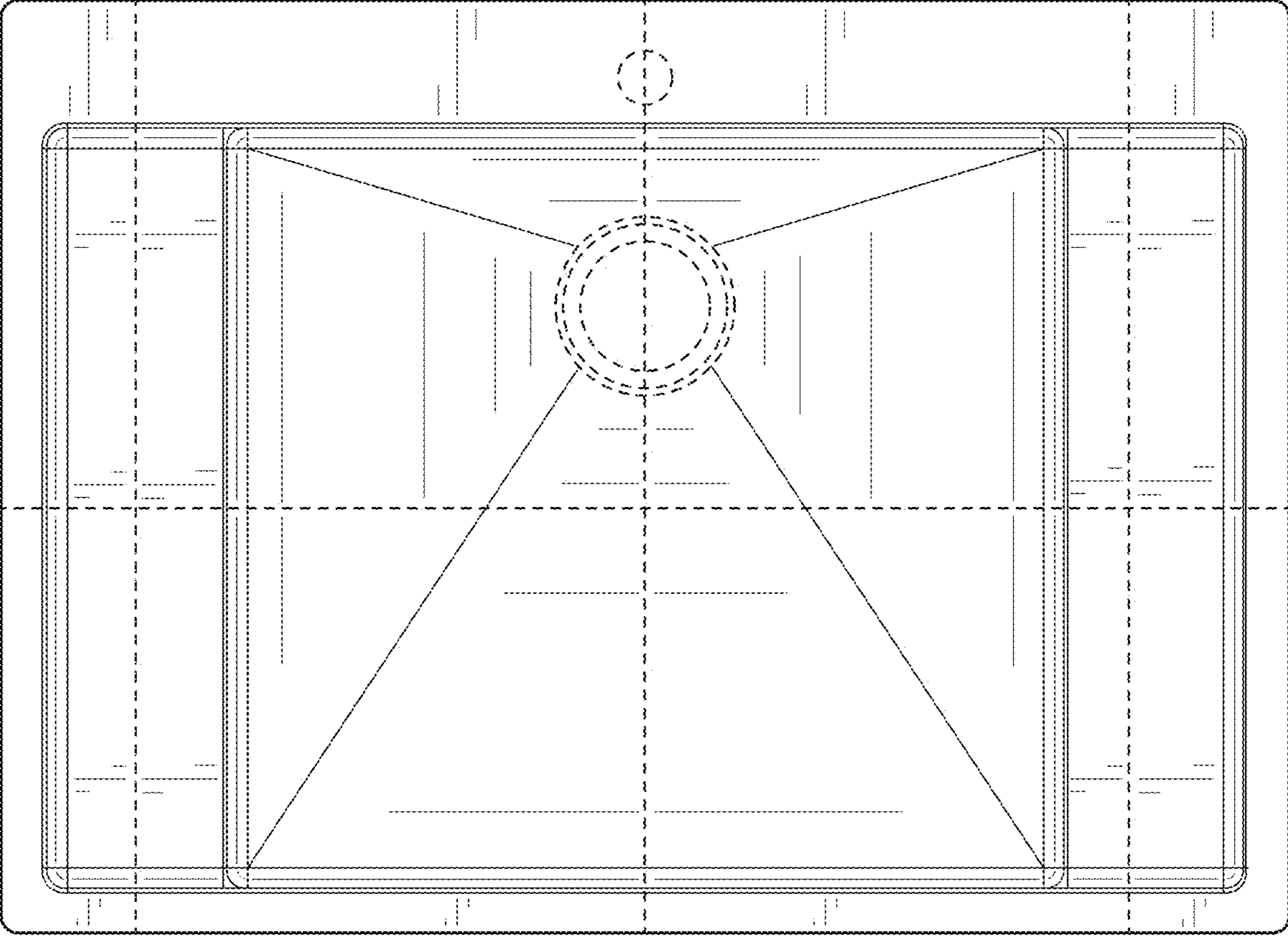


FIG. 6

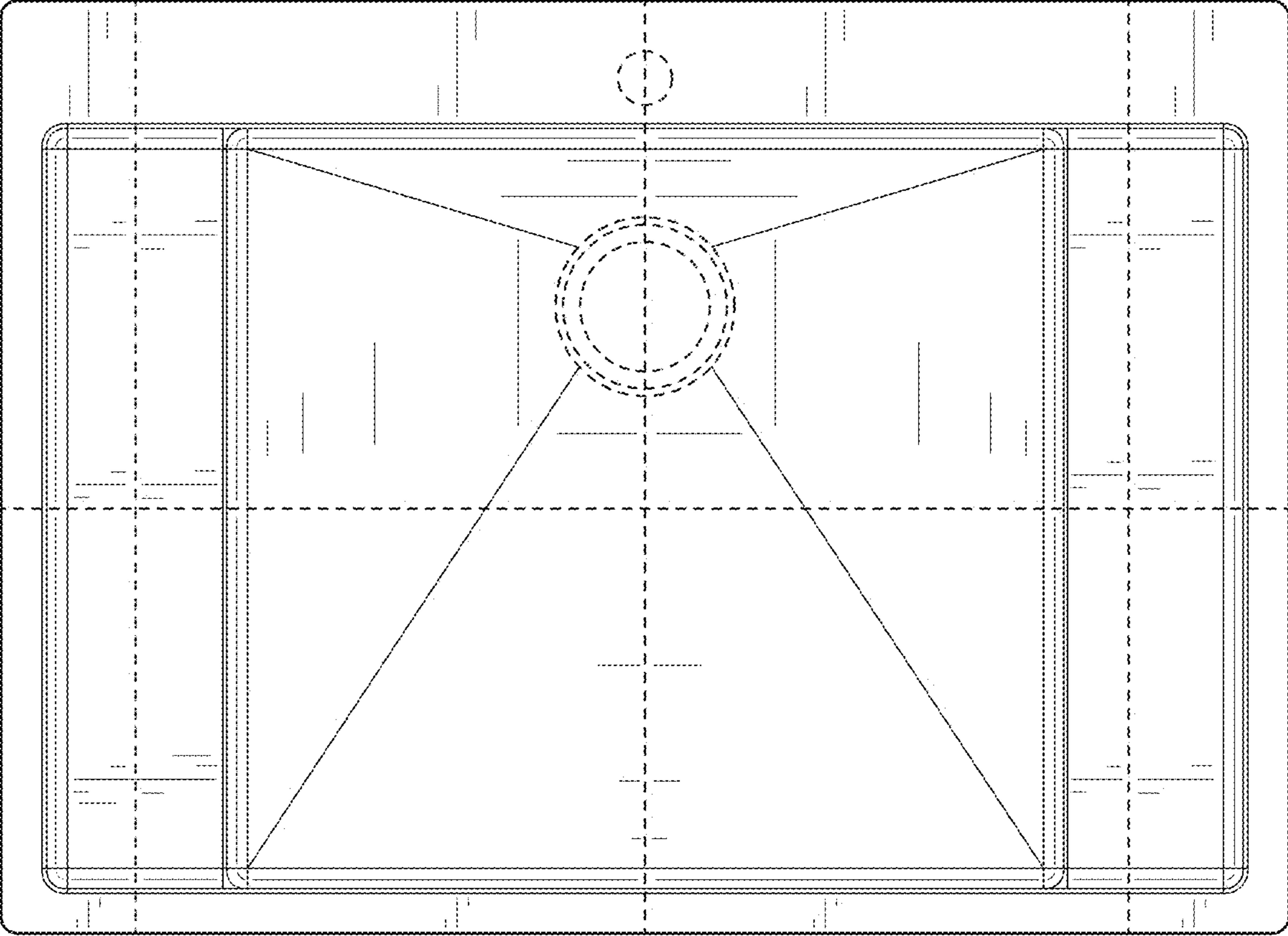


FIG. 7