



US00D911498S

(12) **United States Design Patent** (10) **Patent No.:** **US D911,498 S**
Chong (45) **Date of Patent:** **** Feb. 23, 2021**

(54) **SINK**

- (71) Applicant: **Elkay Manufacturing Company**,
Downers Grove, IL (US)
- (72) Inventor: **Jonathan Chee Yeen Chong**, Chicago,
IL (US)
- (73) Assignee: **Elkay Manufacturing Company**,
Downers Grove, IL (US)
- (**) Term: **15 Years**
- (21) Appl. No.: **29/733,788**
- (22) Filed: **May 6, 2020**

(56) **References Cited**

U.S. PATENT DOCUMENTS

D670,367 S *	11/2012	Miller	D23/308
D849,893 S *	5/2019	Chen	D23/287
D849,894 S *	5/2019	Chen	D23/287
2018/0187402 A1 *	7/2018	Chong	E03C 1/33

* cited by examiner

Primary Examiner — Robert A Delehanty

(74) *Attorney, Agent, or Firm* — Neal, Gerber & Eisenberg LLP; Tanvi B. Patel; Nawshaba M. Siddiquee

(57) **CLAIM**

The ornamental design for a sink, as shown and described.

DESCRIPTION

FIG. 1 is a front perspective view of a sink, showing our new design.

FIG. 2 is a front elevation view thereof.

FIG. 3 is a rear elevation view thereof.

FIG. 4 is a first side elevation view thereof.

FIG. 5 is a second side elevation view thereof.

FIG. 6 is a top plan view thereof; and,

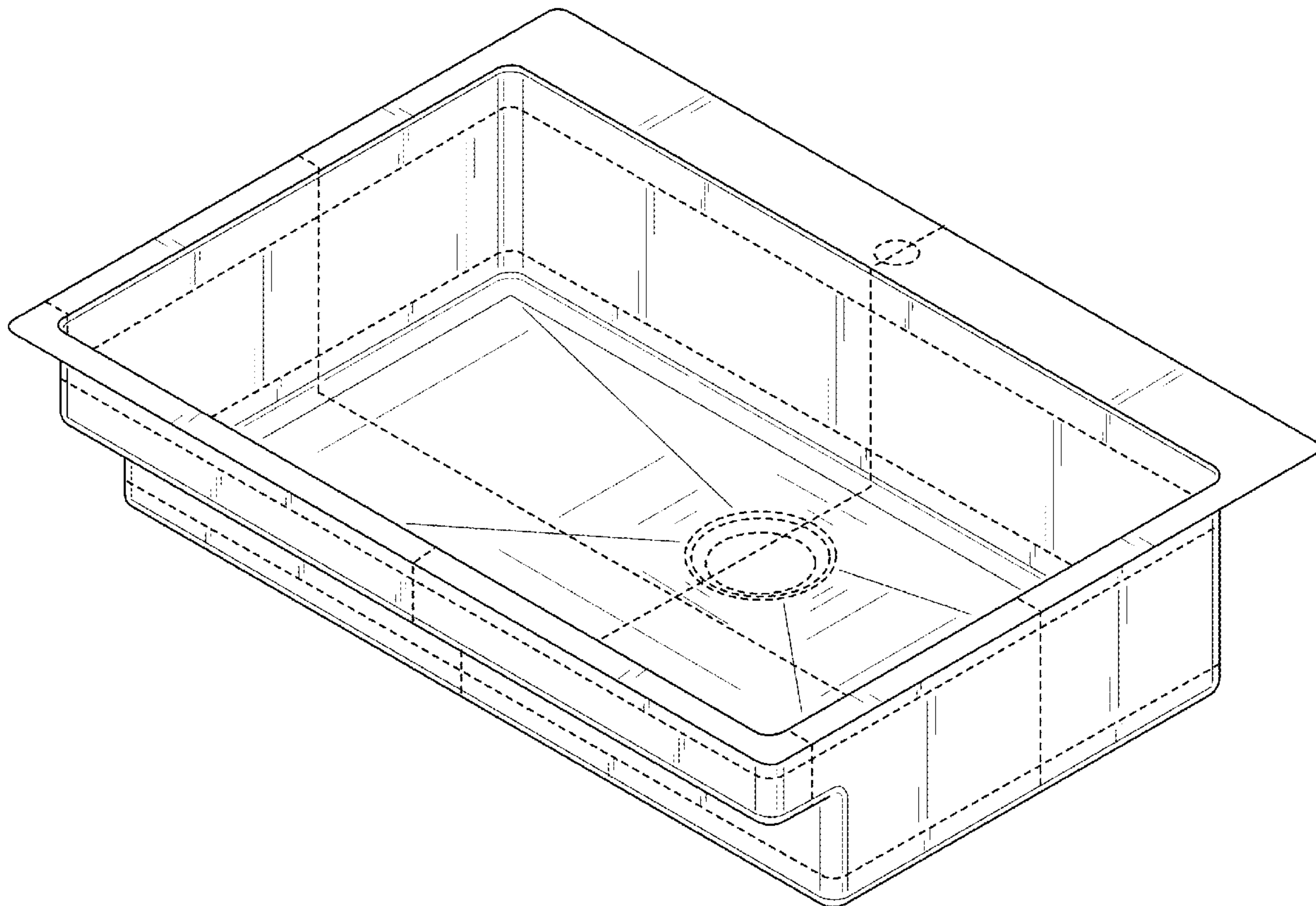
FIG. 7 is a bottom plan view thereof.

The broken lines shown in the drawing views are for illustrative purposes and form no part of the claim design.

1 Claim, 7 Drawing Sheets

Related U.S. Application Data

- (62) Division of application No. 16/746,086, filed on Jan. 17, 2020.
- (51) **LOC (13) Cl.** **23-02**
- (52) **U.S. Cl.**
USPC **D23/284**
- (58) **Field of Classification Search**
USPC D23/284, 286, 293.1, 308
CPC A47B 77/06
See application file for complete search history.



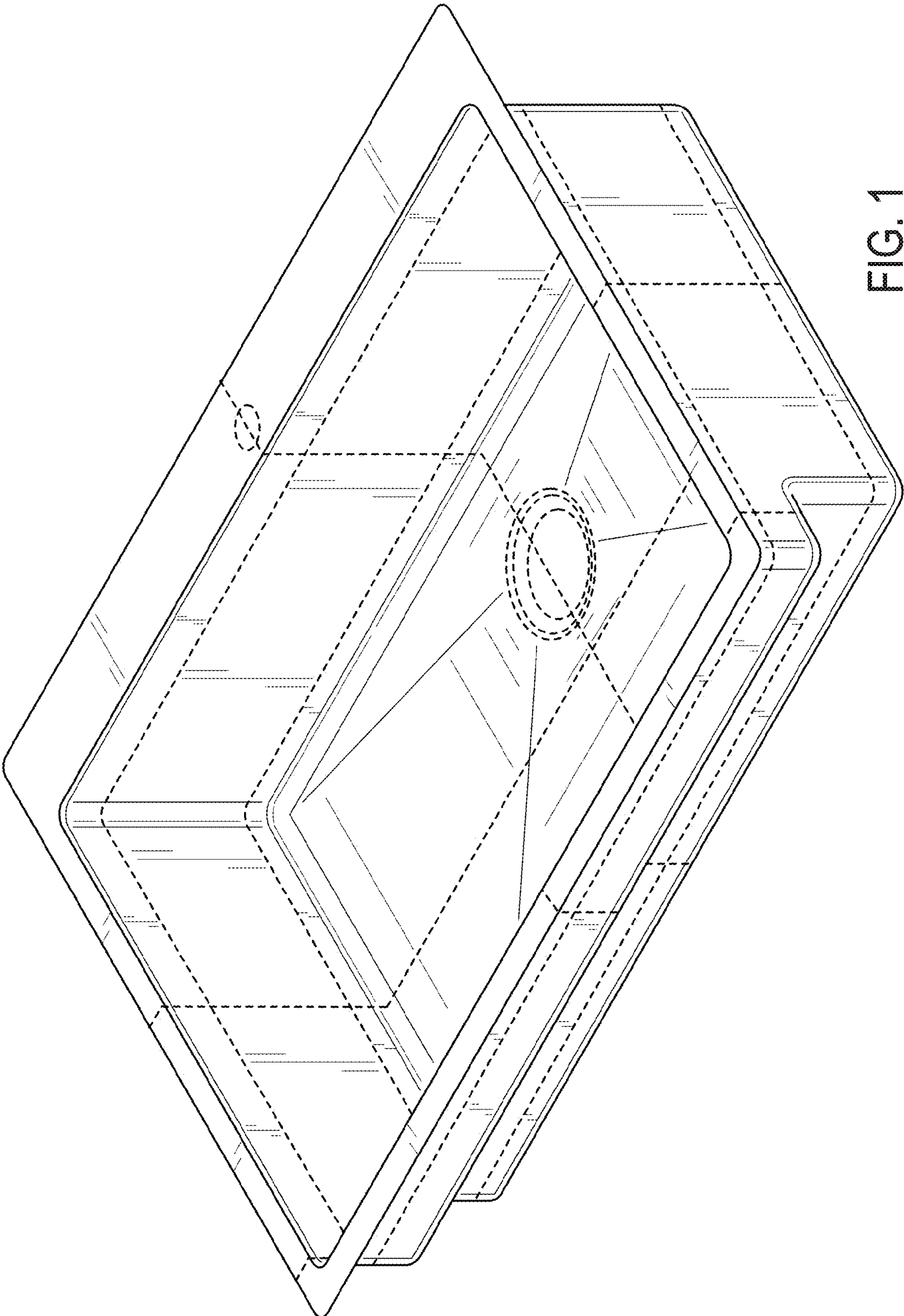


FIG. 1

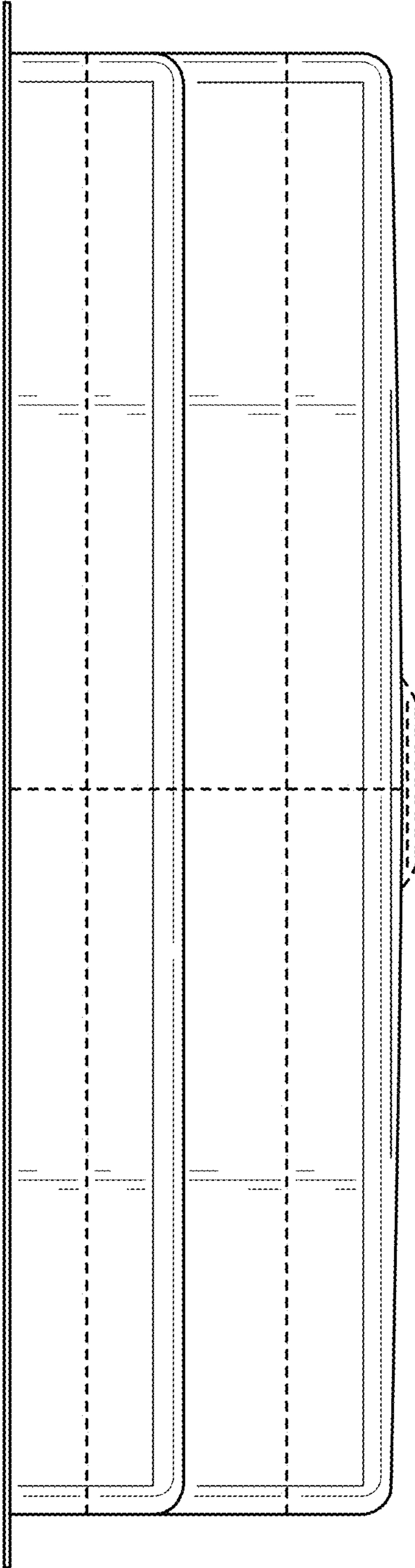


FIG. 2

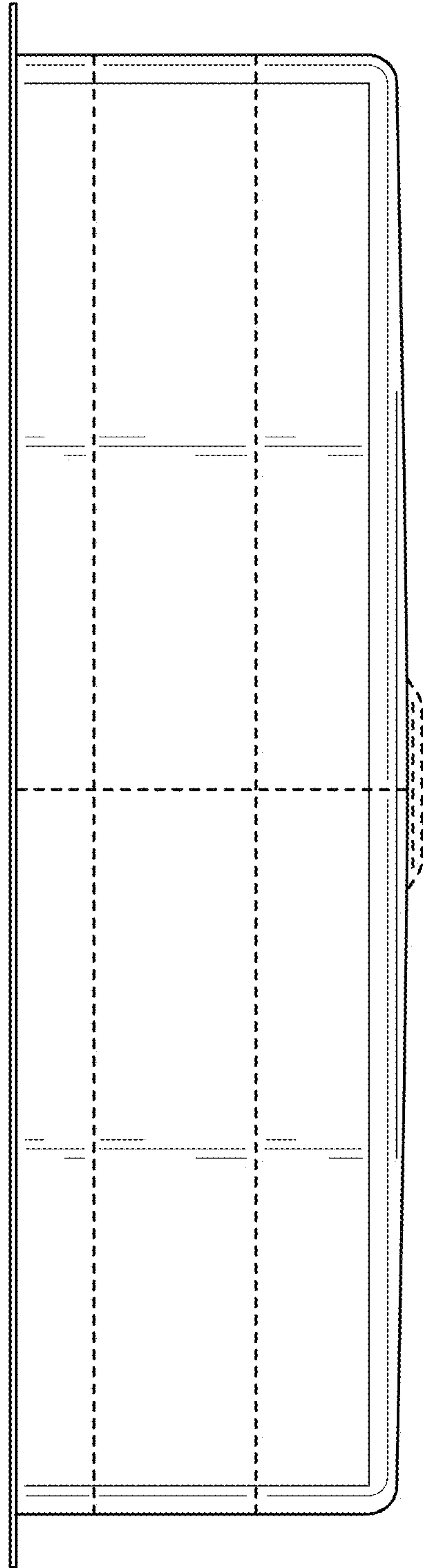


FIG. 3

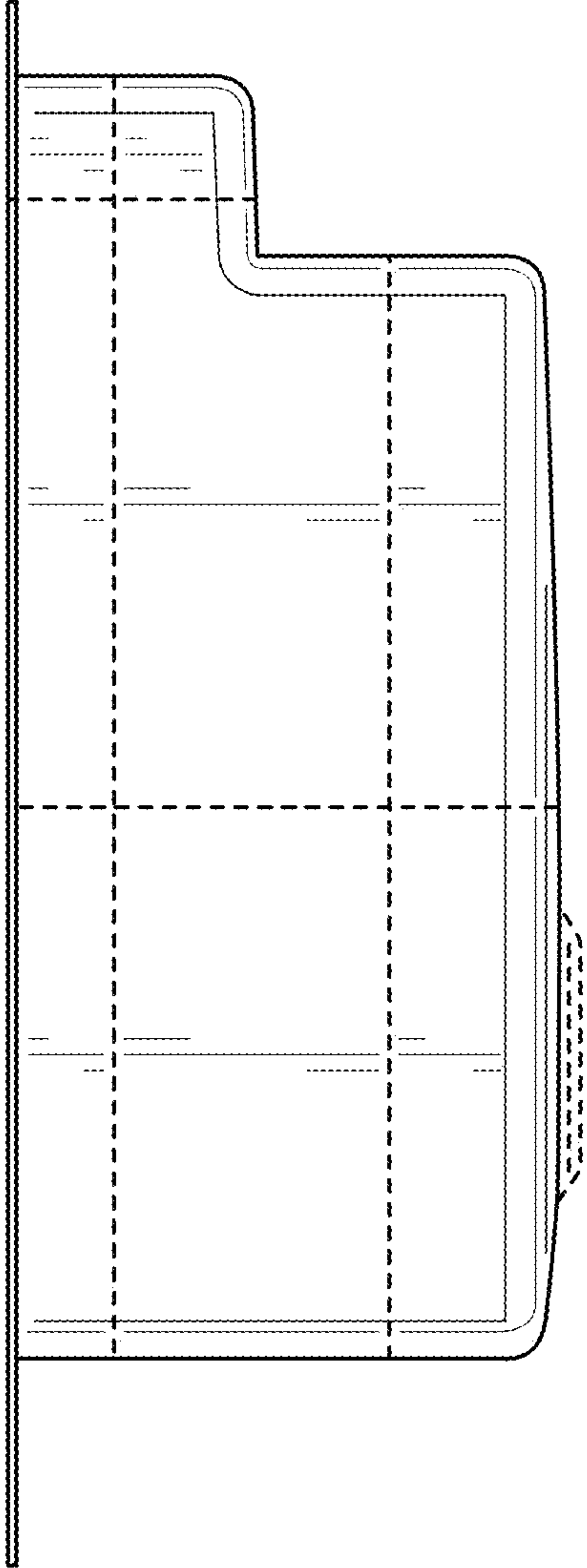


FIG. 4

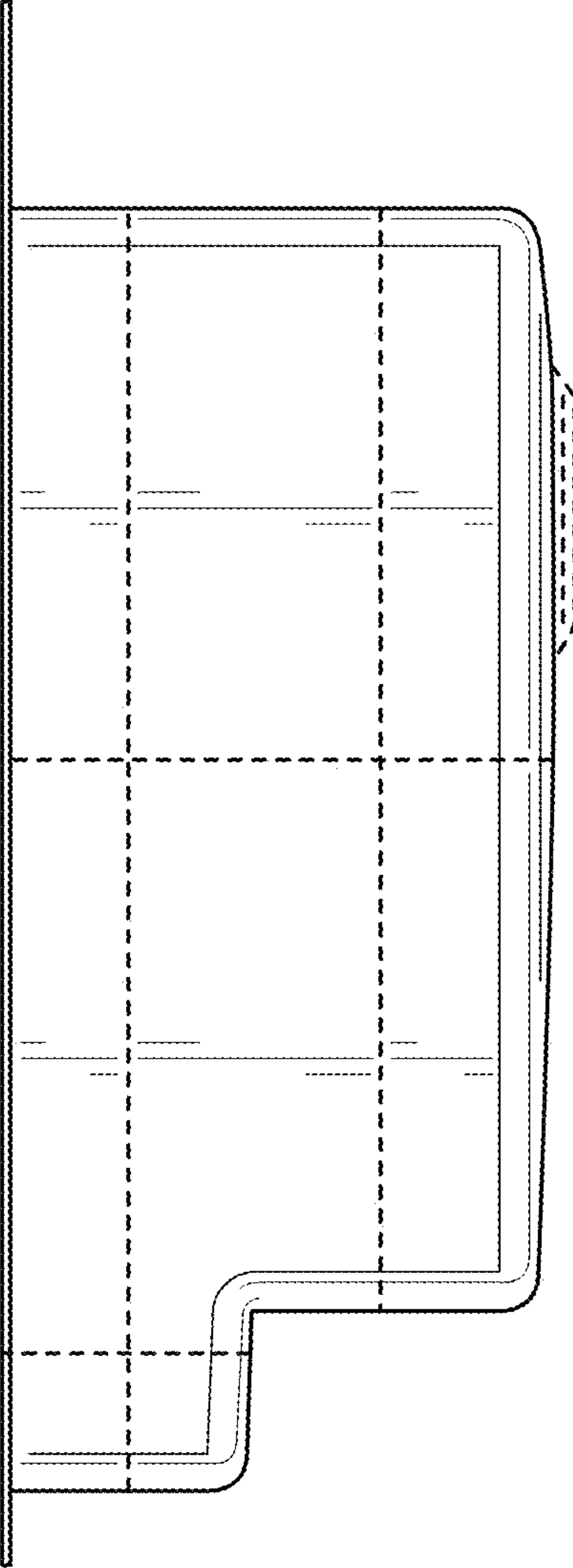


FIG. 5

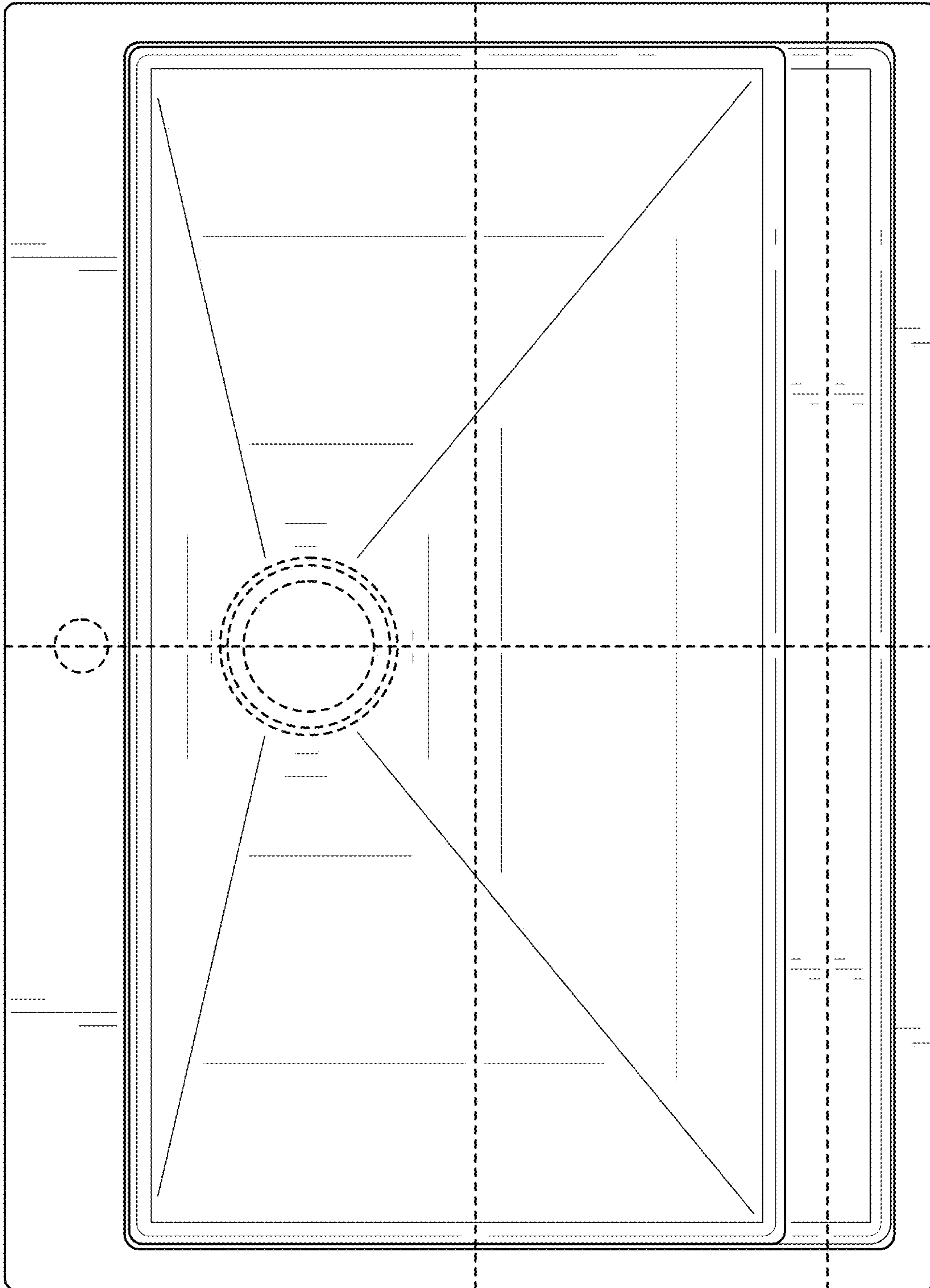


FIG. 6

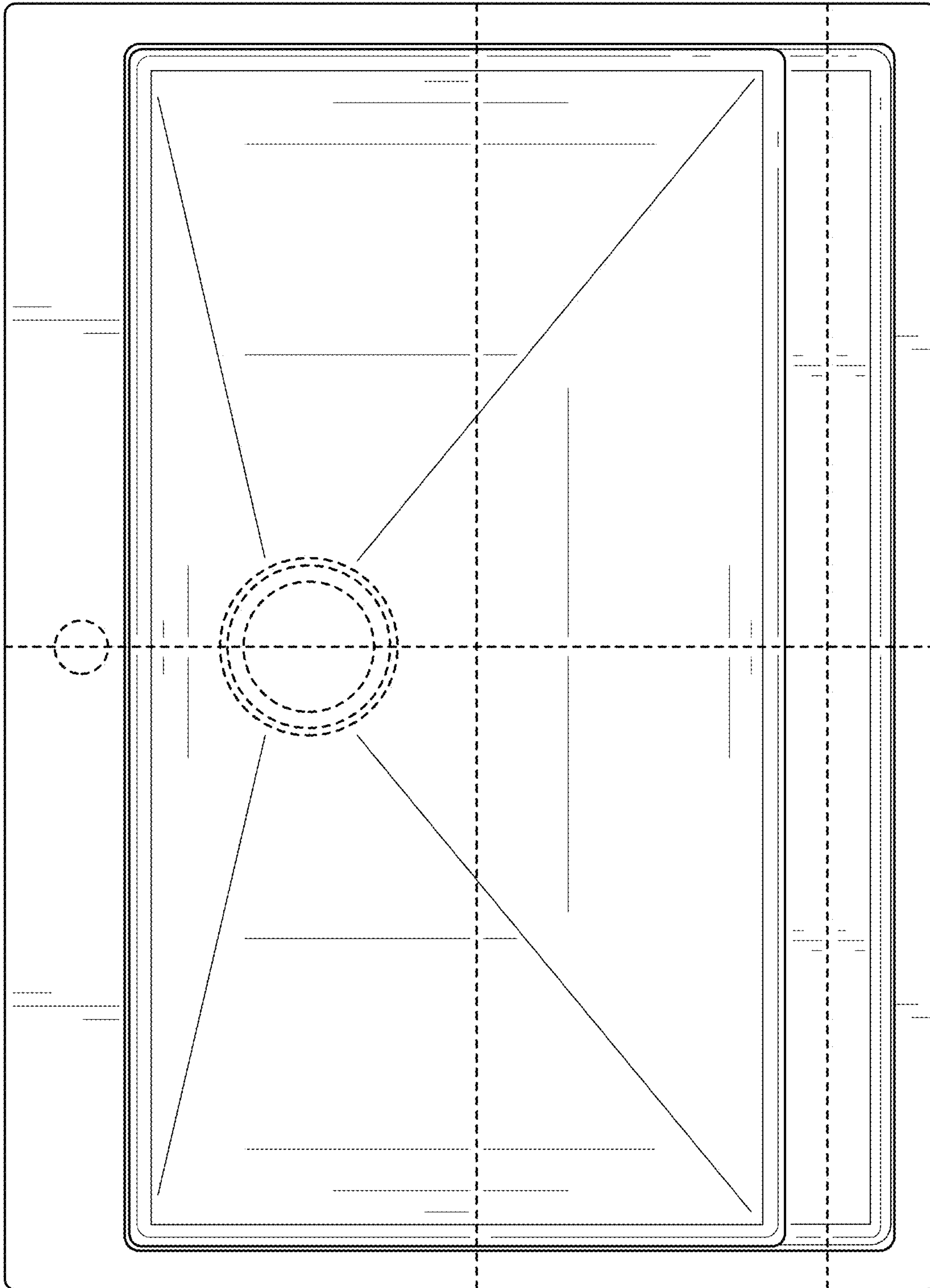


FIG. 7