



US00D911494S

(12) **United States Design Patent** (10) **Patent No.:** **US D911,494 S**
Eads (45) **Date of Patent:** **** Feb. 23, 2021**

(54) **FAUCET**

FOREIGN PATENT DOCUMENTS

(71) Applicant: **DELTA FAUCET COMPANY,**
Indianapolis, IN (US)

CN 300998502 * 7/2008

(72) Inventor: **Thad Eads,** Urbana, IN (US)

OTHER PUBLICATIONS

(73) Assignee: **DELTA FAUCET COMPANY,**
Indianapolis, IN (US)

Tub Filler, announced Date unavailable[online], [site visited Aug. 12, 2020]. Available from internet, URL:<https://www.deltafaucet.com/bathroom/product/T5759-BLWL> (Year: 2020).*

(**) Term: **15 Years**

TBLWL Tub Filler, announced Oct. 1, 2018[online], [site visited Aug. 12, 2020]. Available from internet, URL:<https://www.amazon.com/Delta-Faucet-T5759-BLWL-Filler-Wall-Mount/dp/B07JQWC3LP> (Year: 2018).*

(21) Appl. No.: **29/683,439**

* cited by examiner

(22) Filed: **Mar. 13, 2019**

(51) **LOC (13) Cl.** **23-01**

Primary Examiner — Barbara Fox

(52) **U.S. Cl.**

Assistant Examiner — Jamaal Rasheed

USPC **D23/238**

(58) **Field of Classification Search**

(74) *Attorney, Agent, or Firm* — Nirav D. Parikh; Edgar A. Zarins

USPC D23/238–244, 252, 254, 255, 257;
D8/307–308

CPC F16K 31/602; F16K 31/605; F16K 31/607;
E03C 1/0412

See application file for complete search history.

(57) **CLAIM**

The ornamental design for a faucet, as shown and described.

(56) **References Cited**

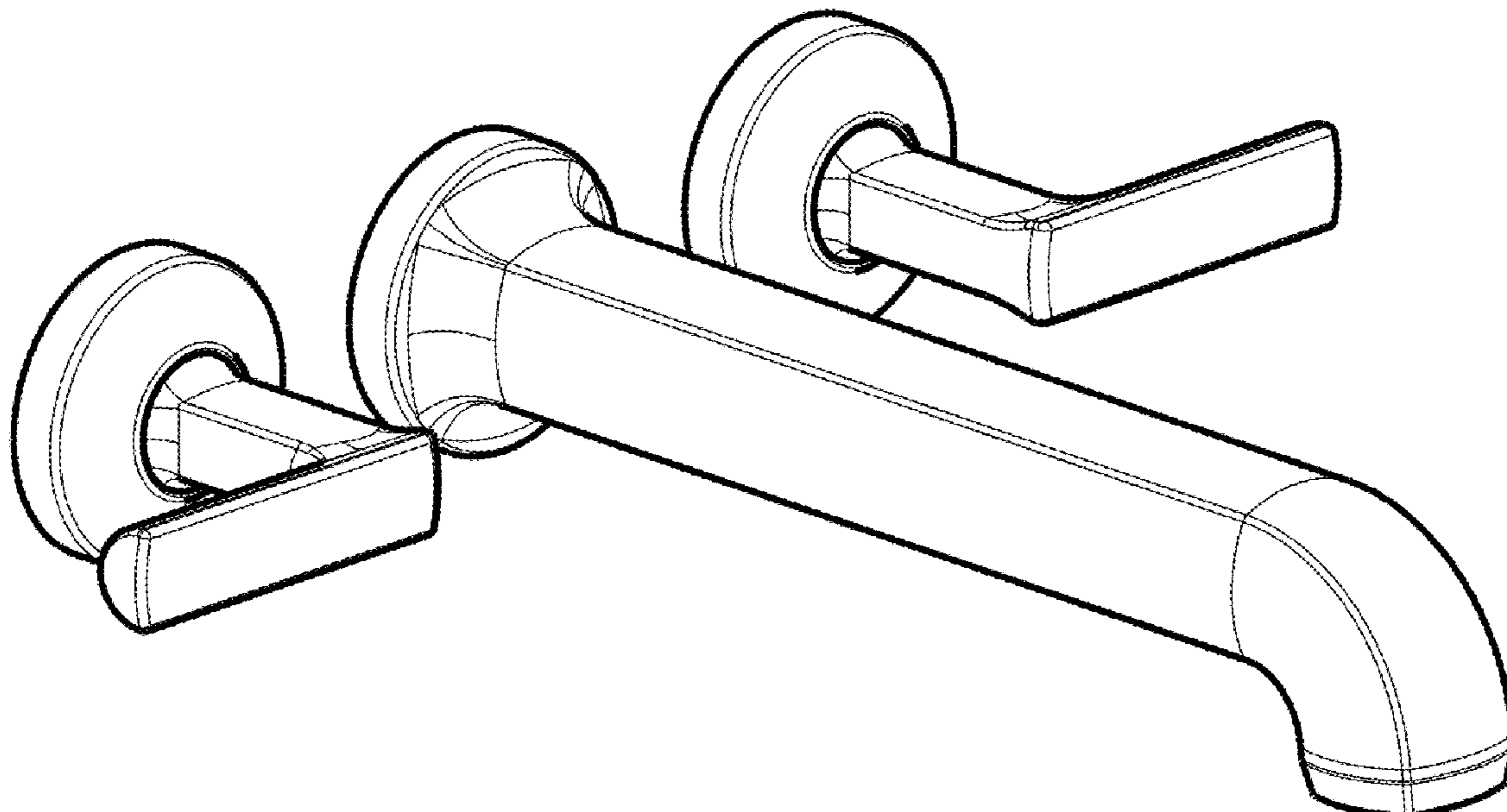
DESCRIPTION

U.S. PATENT DOCUMENTS

D446,286 S *	8/2001	Fleischmann	D23/242
D467,307 S *	12/2002	Sieger	D23/241
D477,859 S *	7/2003	Citterio	D23/241
D566,816 S *	4/2008	Wang	D23/255
D585,525 S *	1/2009	Ko	D23/242
D605,257 S *	12/2009	Flowers	D23/238
D712,516 S *	9/2014	Citterio	D23/242
D776,792 S *	1/2017	Neumayr	D23/242
D801,483 S *	10/2017	Neumayr	D23/242
D844,756 S *	4/2019	Cummings	D23/255
D857,846 S *	8/2019	Garland	D23/242
D877,861 S *	3/2020	Garland	D23/242
D890,305 S *	7/2020	Potter	D23/242

FIG. 1 is a front perspective view of a faucet showing my new design;
FIG. 2 is a rear perspective view thereof;
FIG. 3 is a front elevational view thereof;
FIG. 4 is a left side view thereof;
FIG. 5 is a rear view thereof;
FIG. 6 is a right side view thereof;
FIG. 7 is a top plan view thereof; and,
FIG. 8 is a bottom view thereof.

1 Claim, 4 Drawing Sheets



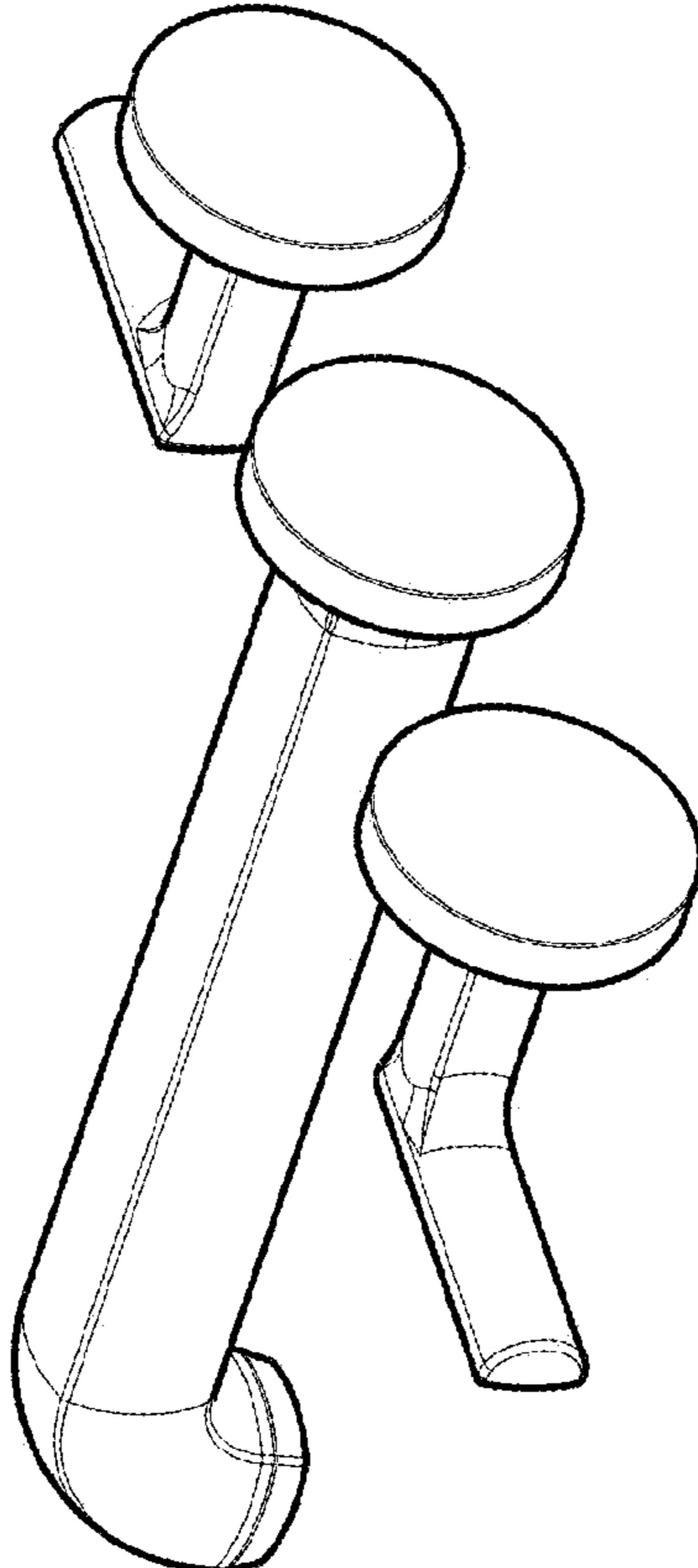


FIG - 2

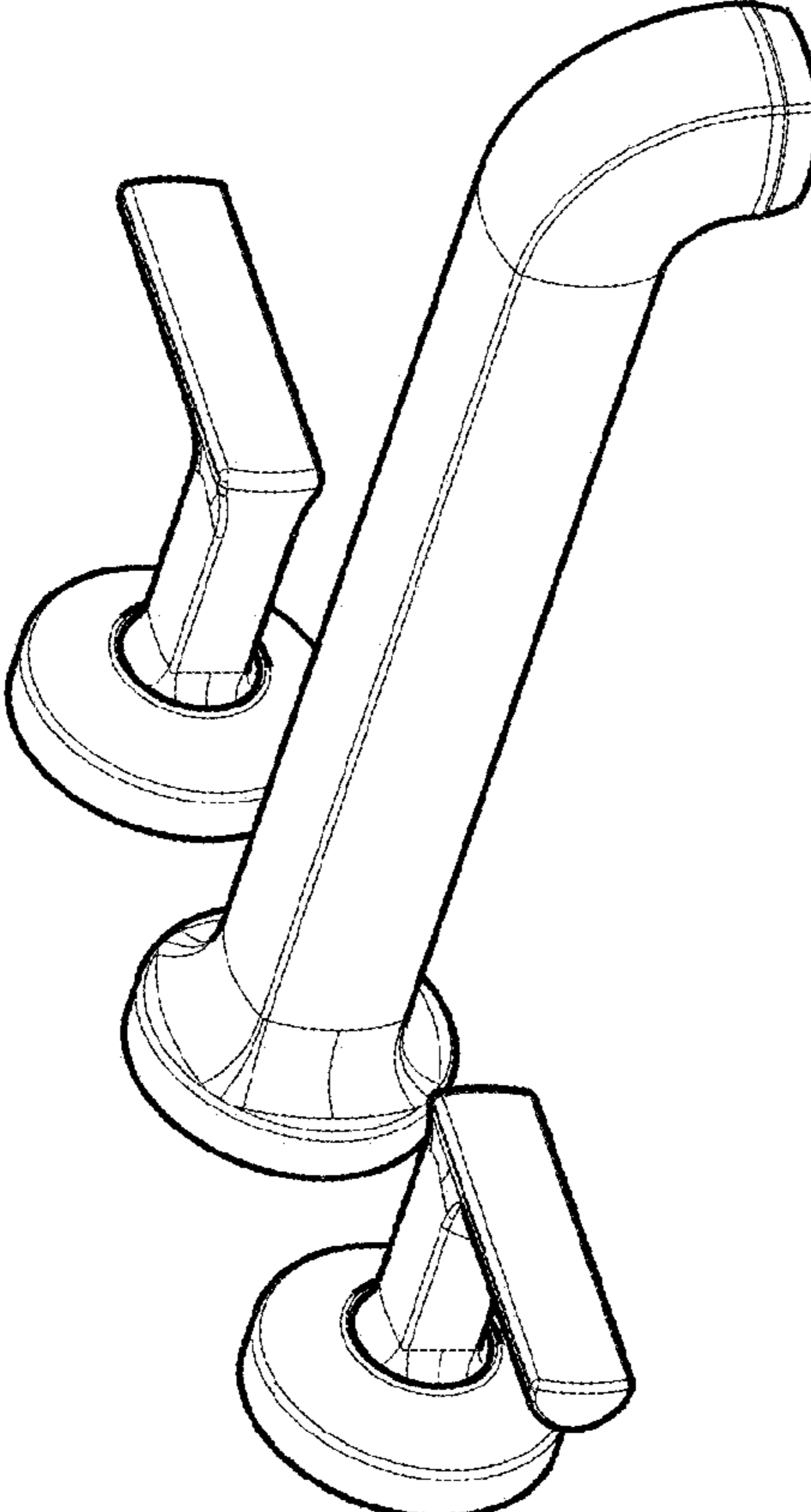


FIG - 1

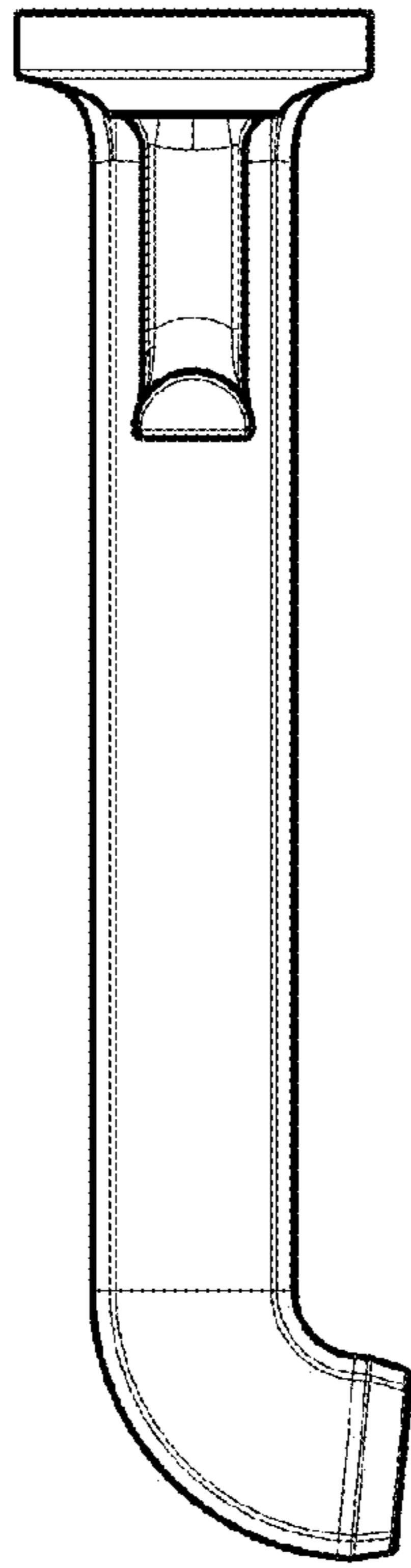


FIG - 4

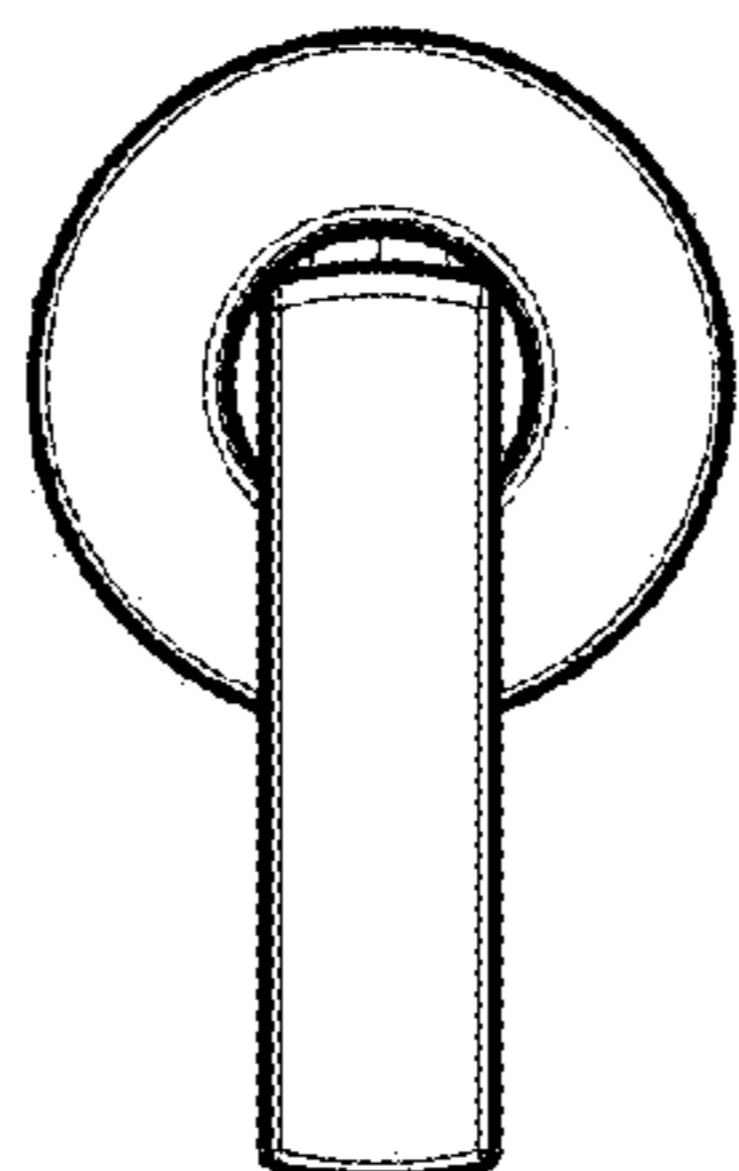
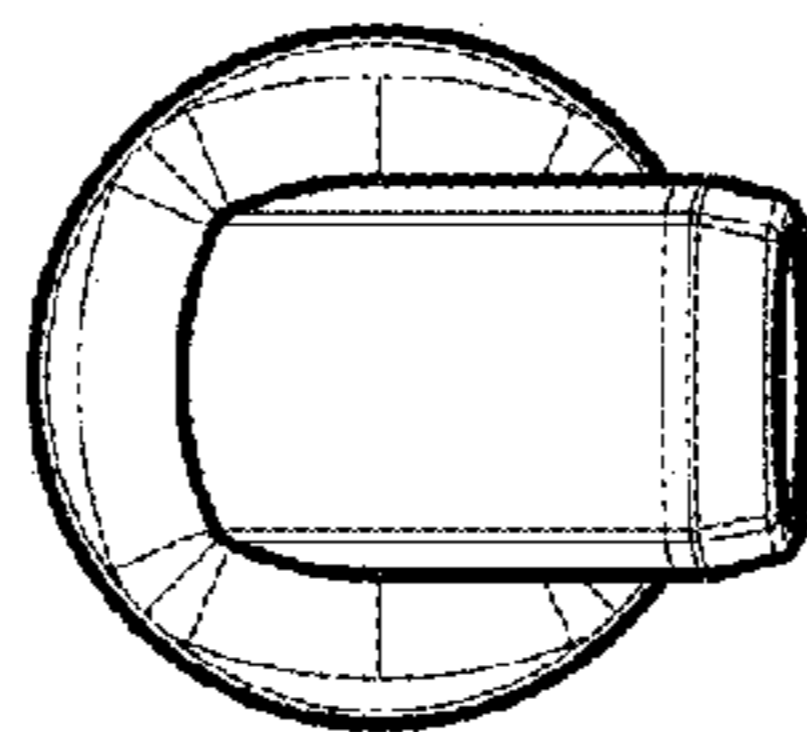
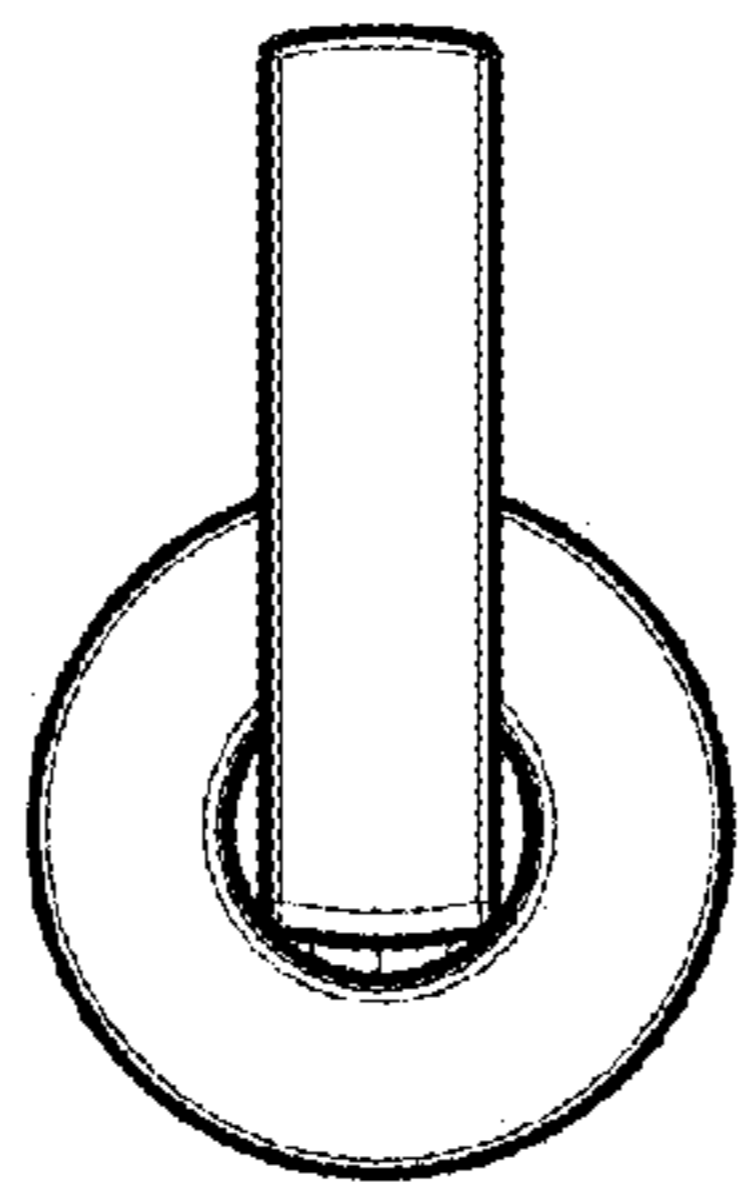


FIG - 3

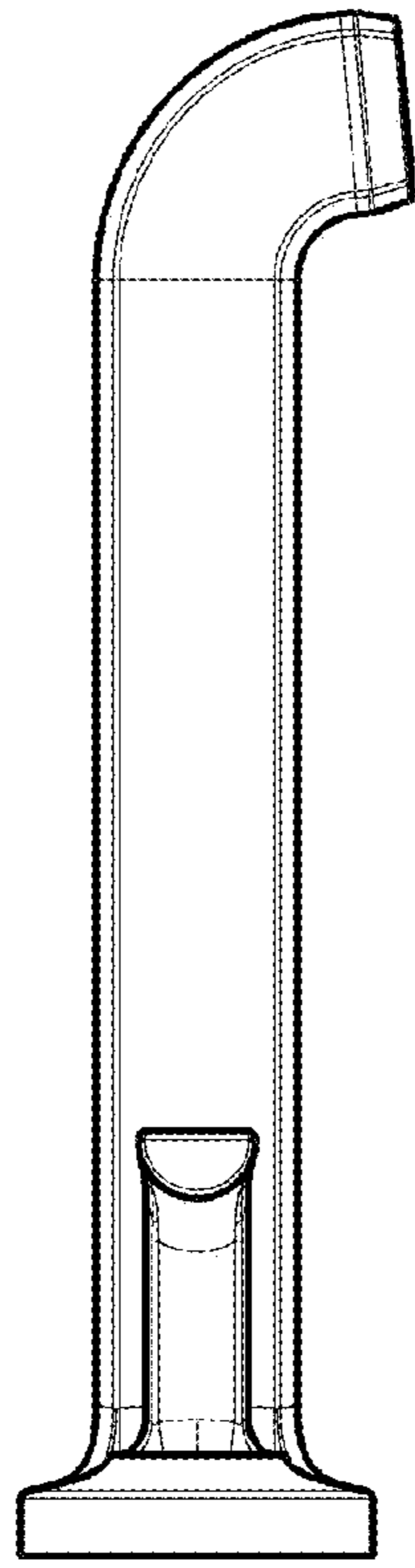


FIG - 6

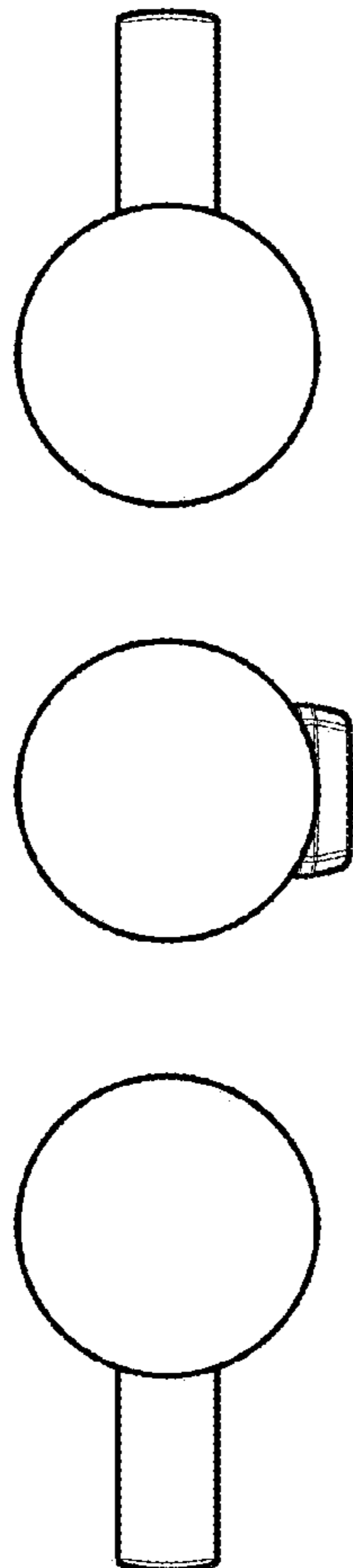


FIG - 5

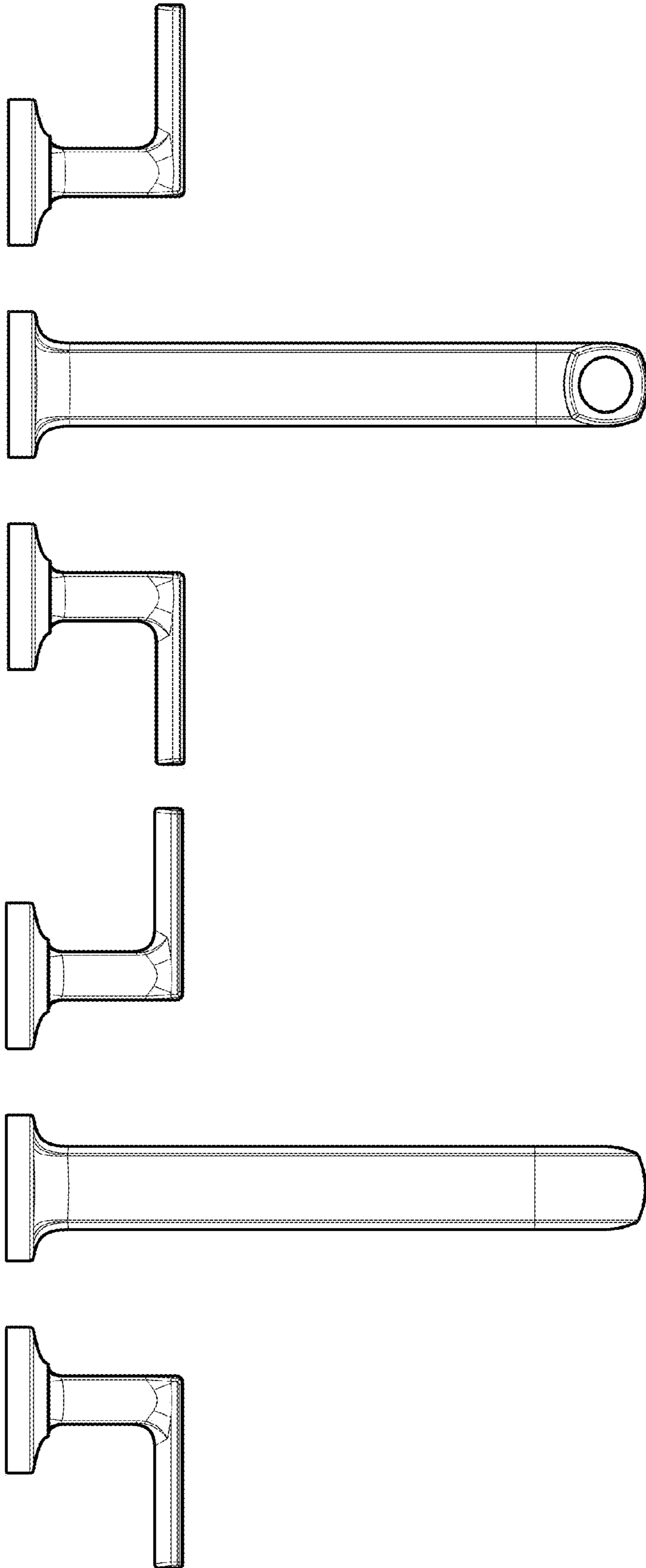


FIG - 8

FIG - 7