



US00D911493S

(12) **United States Design Patent** (10) **Patent No.:** **US D911,493 S**
Eads (45) **Date of Patent:** **** Feb. 23, 2021**

(54) **FAUCET**
(71) Applicant: **DELTA FAUCET COMPANY,**
Indianapolis, IN (US)
(72) Inventor: **Thad Eads,** Urbana, IN (US)
(73) Assignee: **DELTA FAUCET COMPANY,**
Indianapolis, IN (US)
(**) Term: **15 Years**

D855,769 S * 8/2019 Eads D23/238
D870,860 S * 12/2019 Lazarini D23/255
D881,347 S * 4/2020 Lazarini D23/252
D881,352 S * 4/2020 Eads D23/255
D886,242 S * 6/2020 Eads D23/252
D886,244 S * 6/2020 Eads D23/255

FOREIGN PATENT DOCUMENTS

CN 304607658 * 7/2017
WO D082740-010 * 1/2014

OTHER PUBLICATIONS

Bathroom Faucet 3, announced Feb. 13, 2018[online], [site visited Jul. 22, 2020]. Available from internet, URL:<<https://www.amazon.com/Peerless-P3519LF-BN-Widespread-Bathroom-Brushed/dp/B079SW7H F4>> (Year: 2018).*

* cited by examiner

Primary Examiner — Barbara Fox
Assistant Examiner — Jamaal Rasheed
(74) *Attorney, Agent, or Firm* — Nirav D. Parikh; Edgar A. Zarins

(21) Appl. No.: **29/683,433**
(22) Filed: **Mar. 13, 2019**
(51) **LOC (13) Cl.** **23-01**
(52) **U.S. Cl.**
USPC **D23/238**
(58) **Field of Classification Search**
USPC D23/238–244, 252, 254, 255, 257;
D8/307–308
CPC F16K 31/602; F16K 31/605; F16K 31/607;
E03C 1/0412
See application file for complete search history.

(57) **CLAIM**

The ornamental design for a faucet, as shown and described.

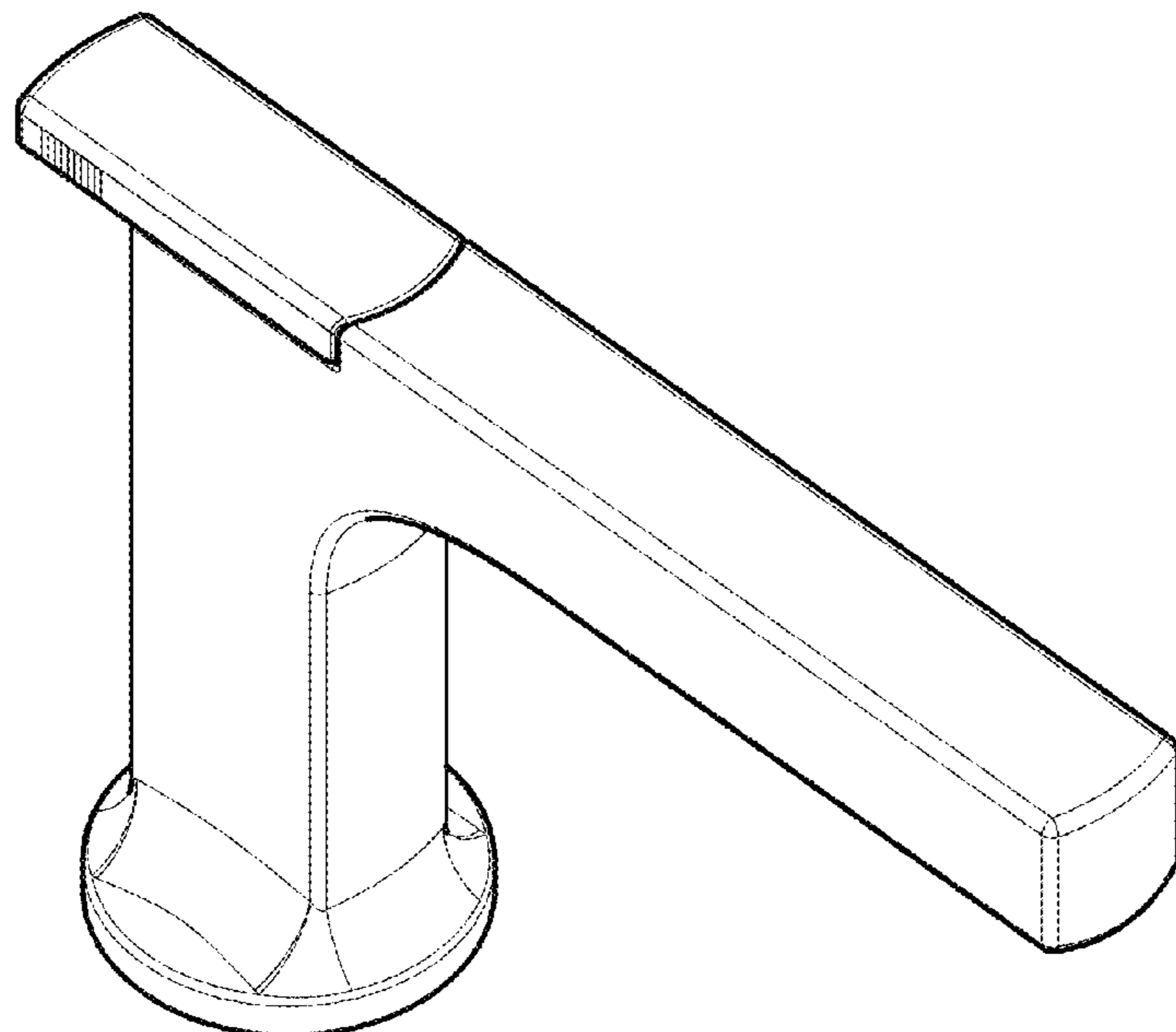
(56) **References Cited**
U.S. PATENT DOCUMENTS

D302,203 S * 7/1989 Paul D23/257
D461,230 S * 8/2002 Ko D23/255
D488,539 S * 4/2004 McKeone D23/255
D496,717 S * 9/2004 Svendsen D23/238
D522,092 S * 5/2006 Hoernig D23/238
D567,907 S * 4/2008 Kohler, Jr. D23/238
D625,778 S * 10/2010 Sandee D23/238
D713,017 S * 9/2014 Citterio D23/257
D732,144 S * 6/2015 Bahler D23/257
D797,898 S * 9/2017 Bennett D23/255
D846,710 S * 4/2019 Garland D23/255
D848,576 S * 5/2019 Zeisel D23/255
D848,577 S * 5/2019 Garland D23/255

DESCRIPTION

FIG. 1 is a front perspective view of a faucet showing my new design;
FIG. 2 is a rear perspective view thereof;
FIG. 3 is a front elevational view thereof;
FIG. 4 is a left side view thereof;
FIG. 5 is a rear view thereof;
FIG. 6 is a right side view thereof;
FIG. 7 is a top plan view thereof; and,
FIG. 8 is a bottom view thereof.

1 Claim, 4 Drawing Sheets



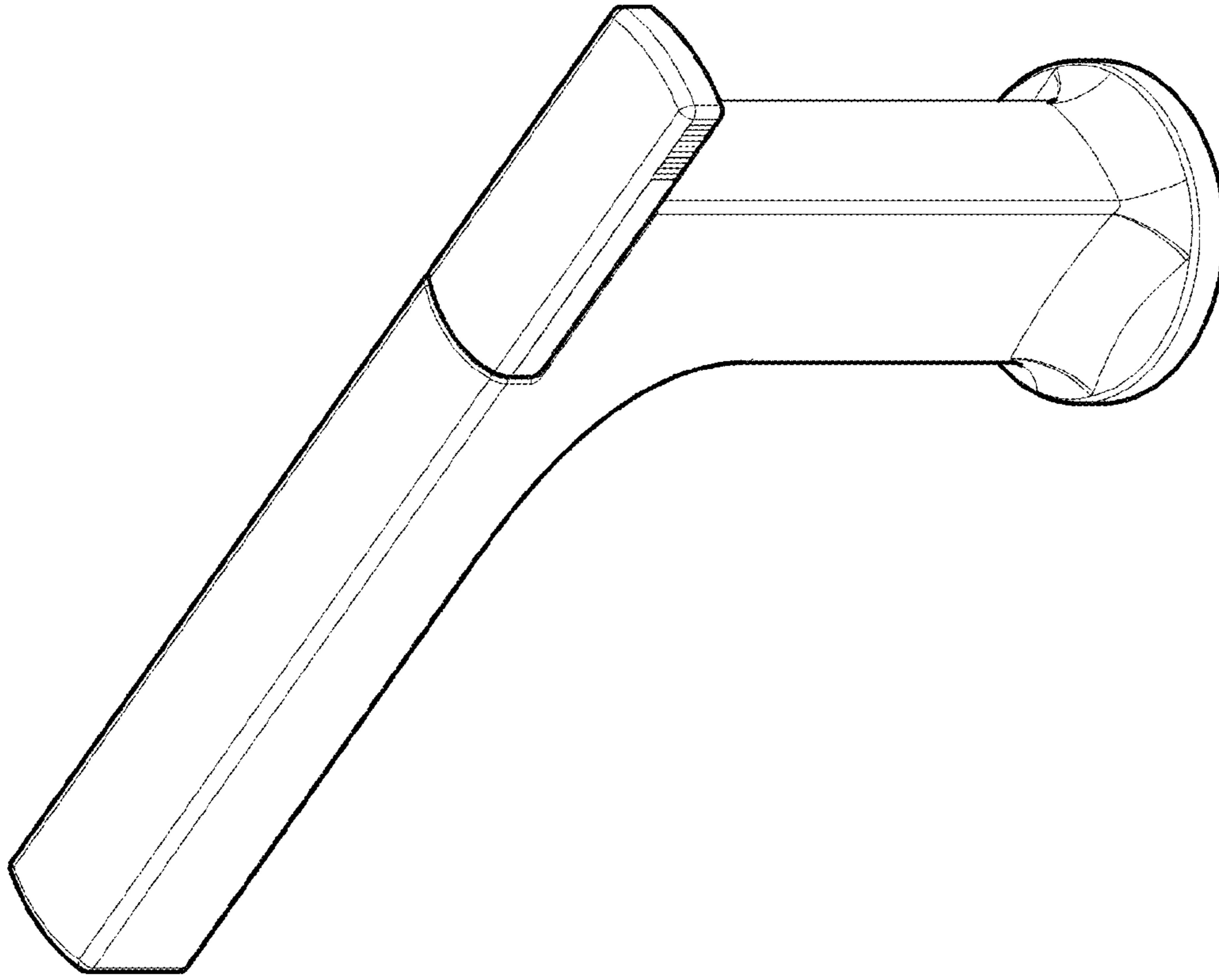


FIG - 2

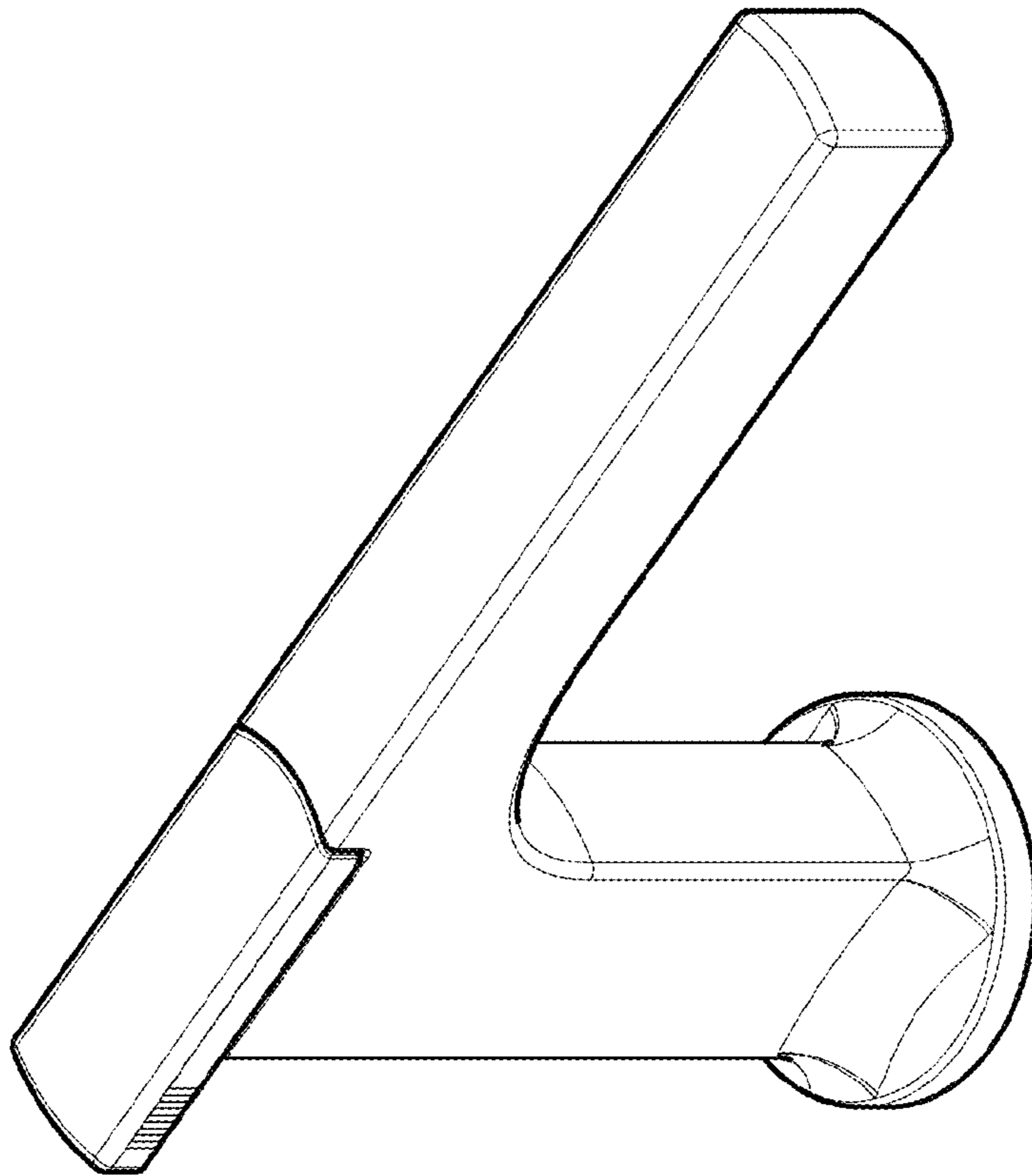


FIG - 1

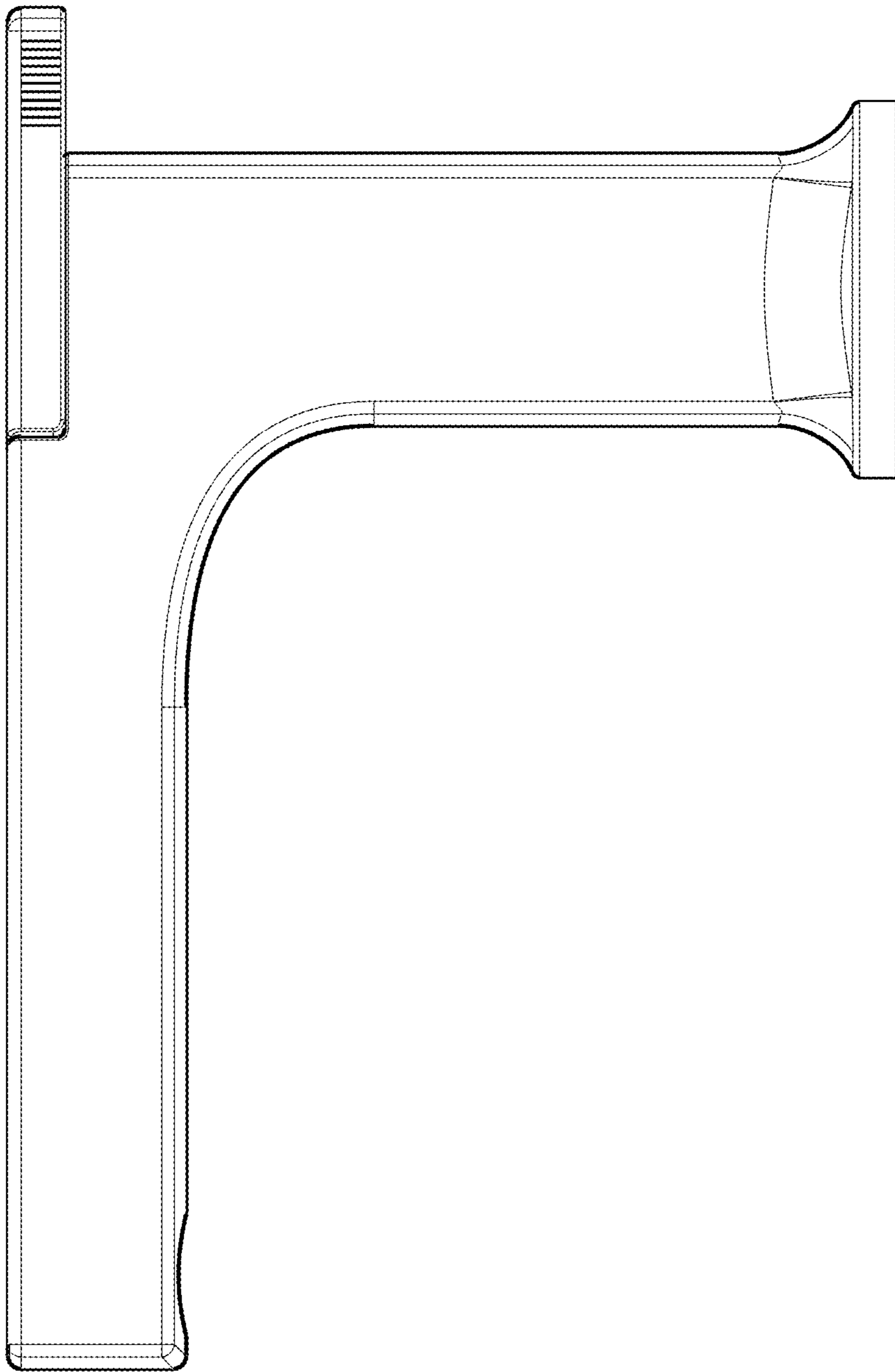


FIG - 4

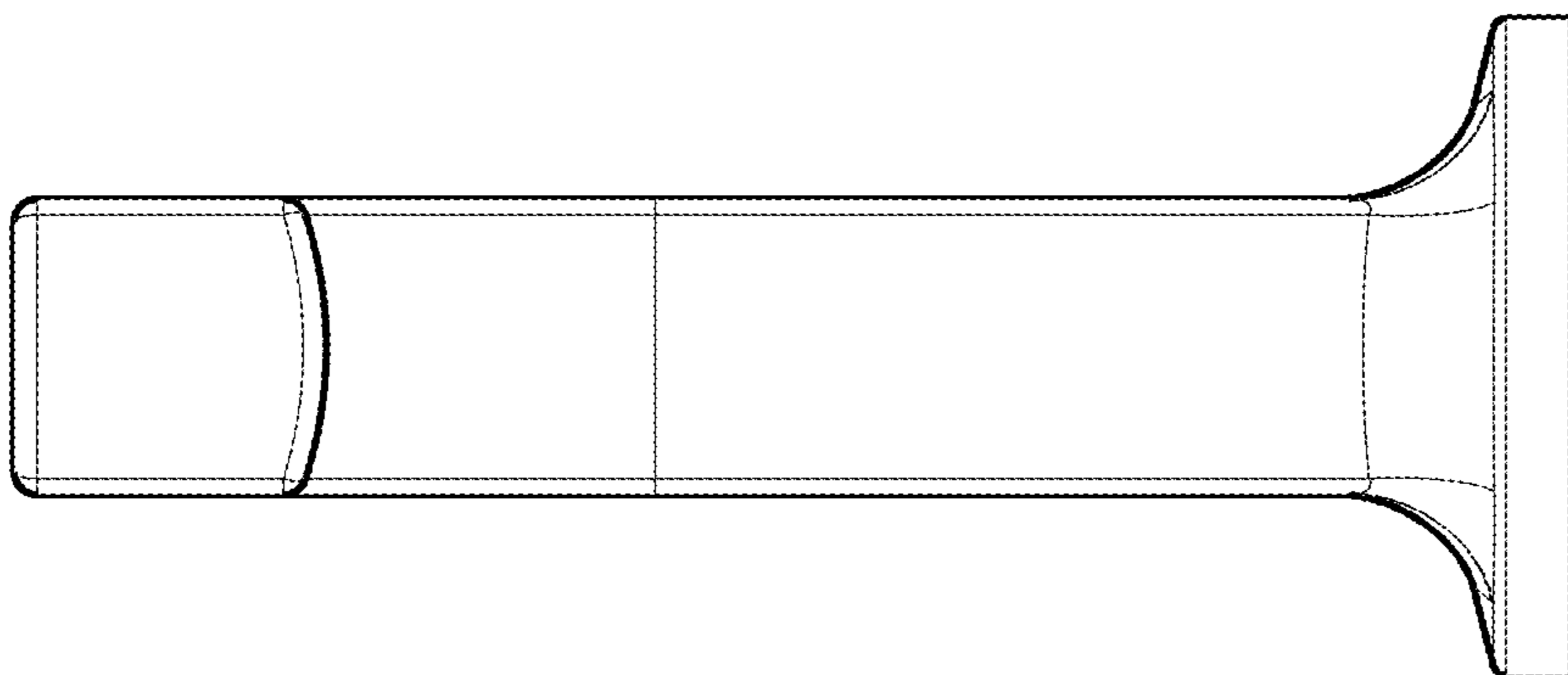


FIG - 3

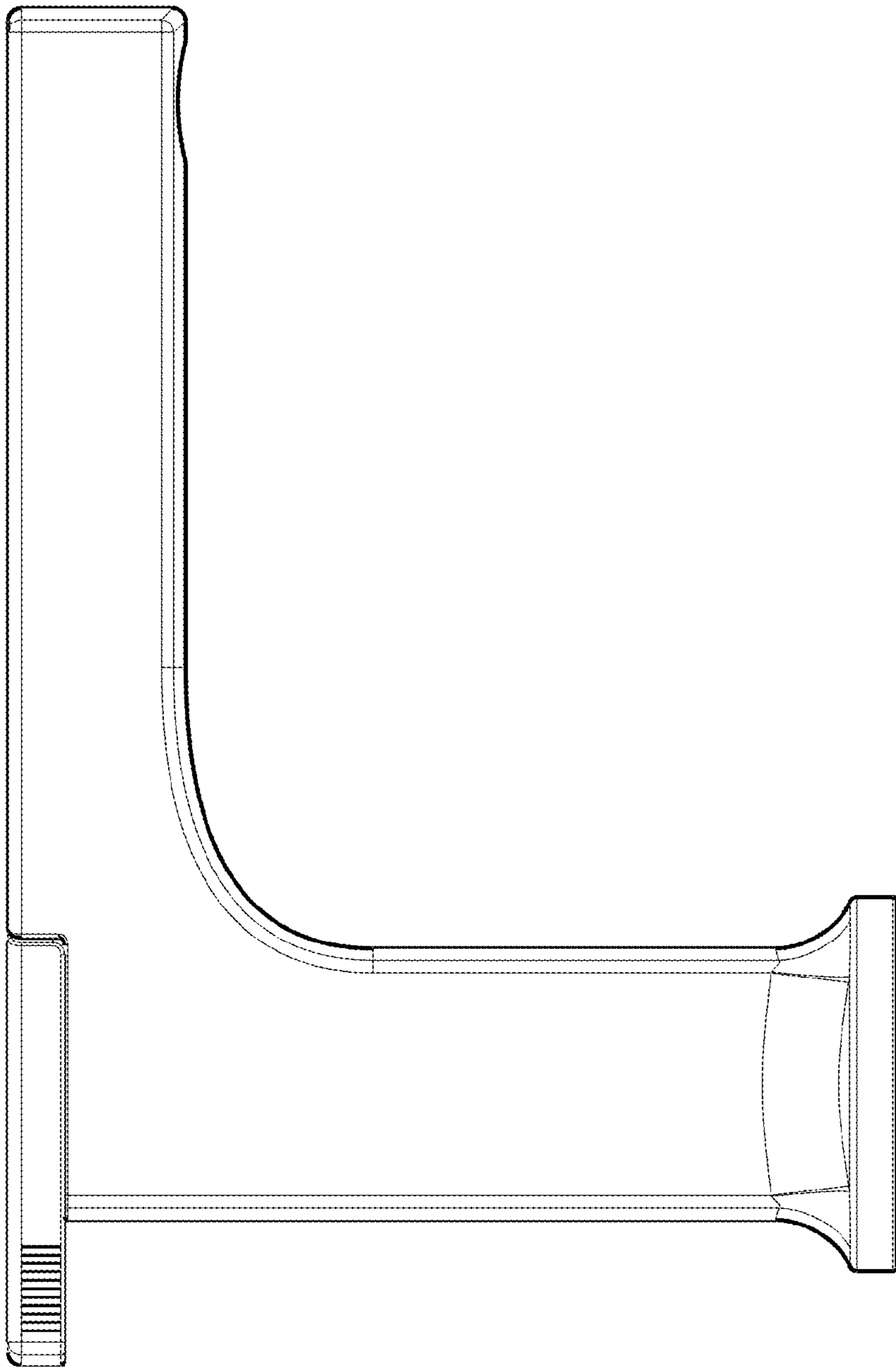


FIG - 6

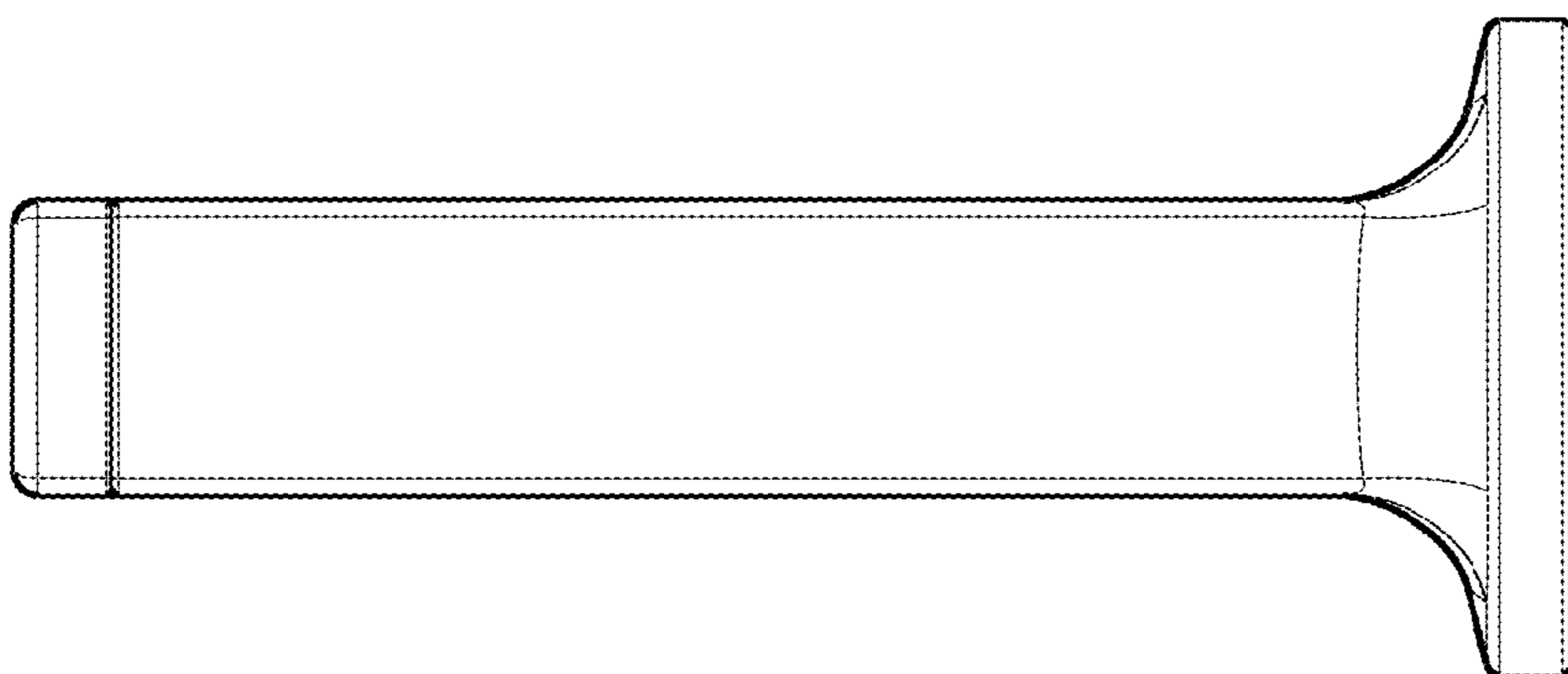


FIG - 5

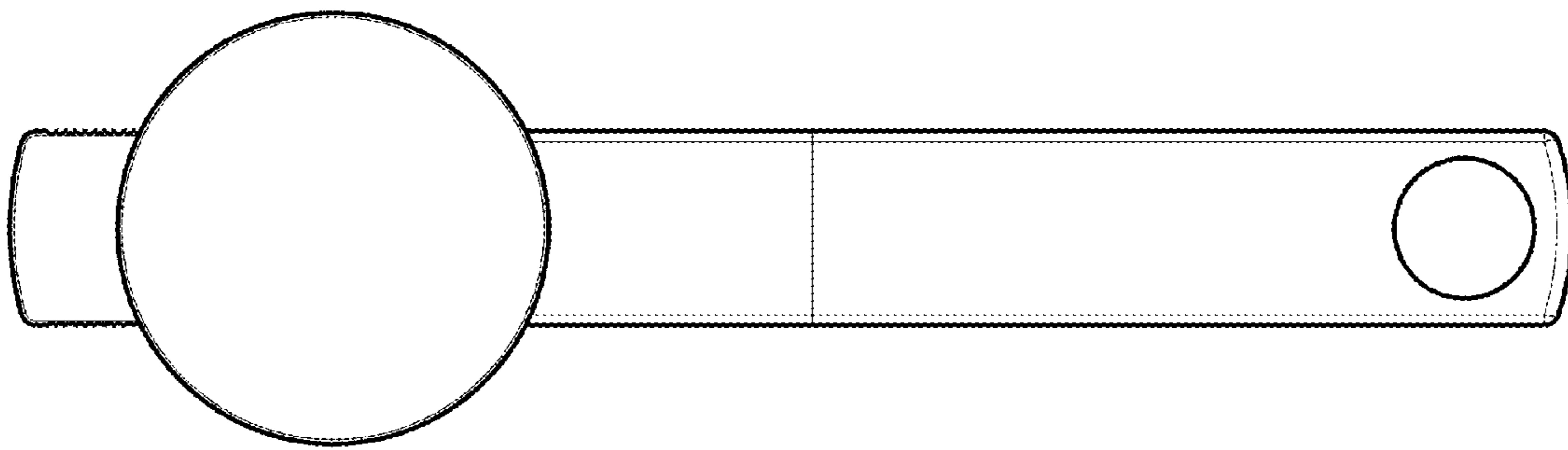


FIG - 8

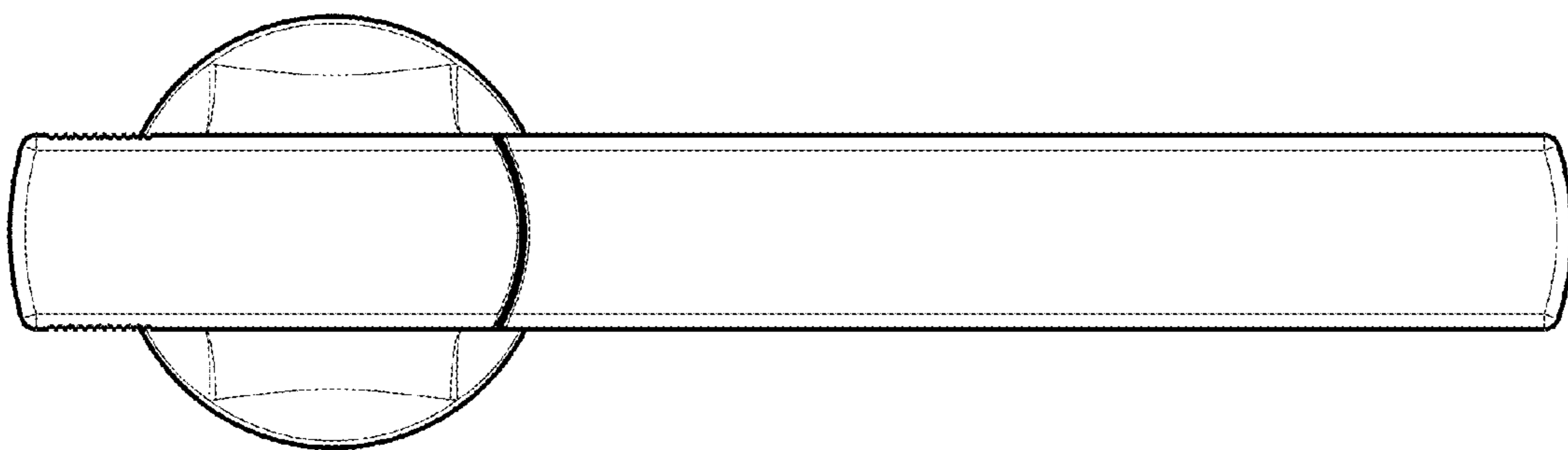


FIG - 7