



US00D911492S

(12) **United States Design Patent** (10) **Patent No.:** **US D911,492 S**  
**Soulier et al.** (45) **Date of Patent:** **\*\* Feb. 23, 2021**

(54) **BIDET FAUCET**  
(71) Applicant: **Kohler Co.**, Kohler, WI (US)  
(72) Inventors: **Jean-Hugues Soulier**, Paris (FR);  
**Ferran Serra Sola**, Paris (FR)  
(73) Assignee: **KOHLER CO.**, Kohler, WI (US)  
(\*\*) Term: **15 Years**  
(21) Appl. No.: **29/638,374**  
(22) Filed: **Feb. 27, 2018**  
(51) **LOC (13) Cl.** ..... **23-01**  
(52) **U.S. Cl.**  
USPC ..... **D23/238**  
(58) **Field of Classification Search**  
USPC ..... D23/238-241, 250-254; D8/307-308,  
D8/363, 373  
CPC ..... Y10T 137/9464; Y10T 137/6014; Y10T  
137/6017  
See application file for complete search history.

6,925,962 B2 \* 8/2005 Moreau ..... A01K 1/0011  
119/516  
D510,758 S \* 10/2005 Lord ..... D23/238  
D513,060 S \* 12/2005 Ouyoung ..... D23/238  
D527,076 S \* 8/2006 Kolin ..... D23/241  
D535,360 S \* 1/2007 Noth ..... D23/238  
D538,402 S \* 3/2007 Lammel ..... D23/238  
D546,922 S \* 7/2007 Demmer ..... D23/238  
D555,771 S \* 11/2007 Noth ..... D23/238  
D576,707 S \* 9/2008 Schoenherr ..... D23/238  
D582,016 S \* 12/2008 Schonherr ..... D23/255  
D635,647 S \* 4/2011 Montgomery ..... D23/239  
D636,062 S \* 4/2011 Rubin ..... D23/238  
D679,280 S \* 4/2013 Lewis ..... D14/447  
D694,366 S \* 11/2013 Hahn ..... D23/238  
D704,802 S 5/2014 Hahn et al.  
D714,542 S \* 10/2014 Barragan ..... D3/228  
D727,713 S \* 4/2015 Greene ..... D8/331

(Continued)

*Primary Examiner* — Robert A Delehanty  
(74) *Attorney, Agent, or Firm* — Foley & Lardner LLP

(57) **CLAIM**

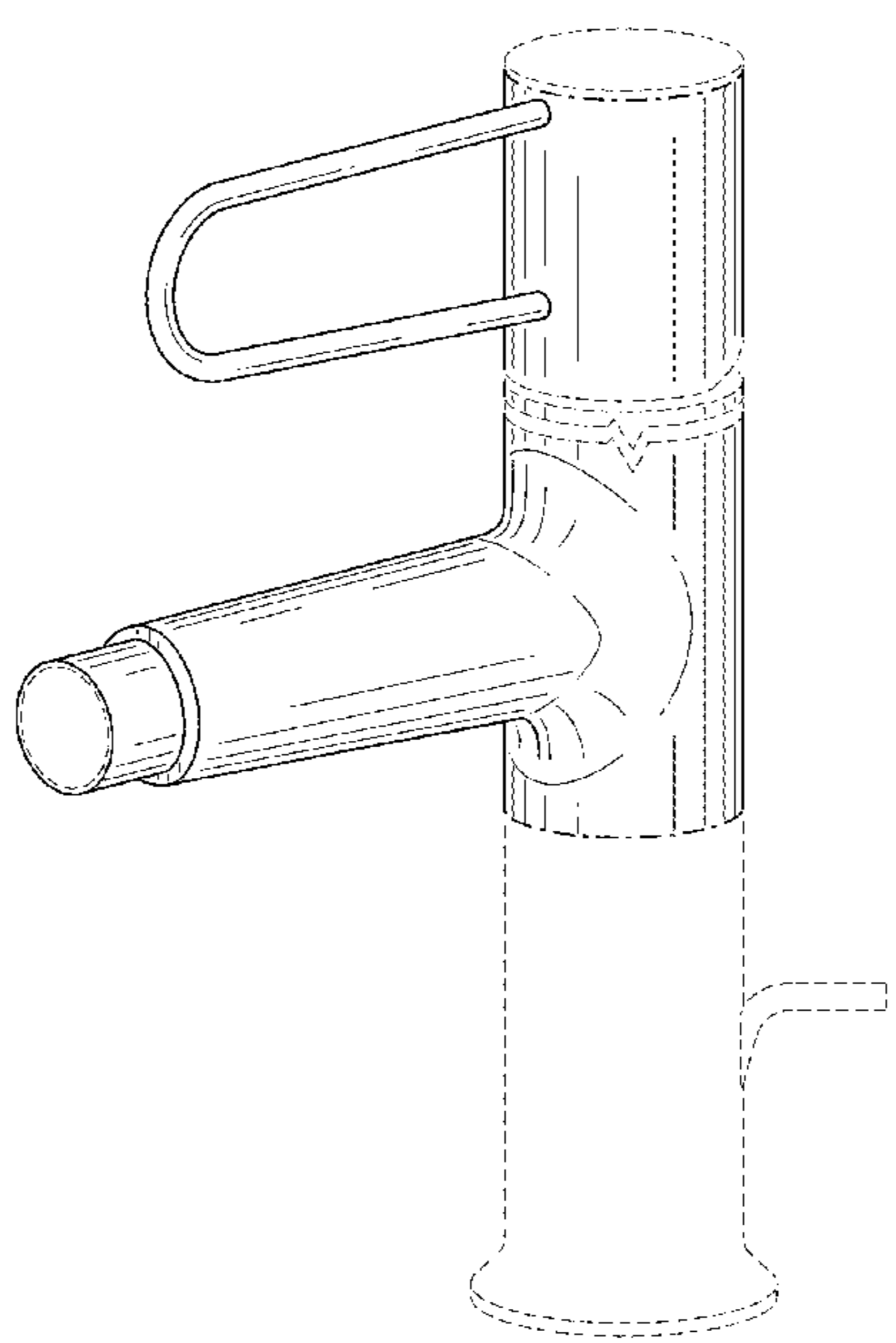
We claim the ornamental design for a bidet faucet, as shown and described.

**DESCRIPTION**

FIG. 1 is a perspective view of an embodiment of the claimed design;  
FIG. 2 is a front view of the embodiment of FIG. 1;  
FIG. 3 is a rear view of the embodiment of FIG. 1;  
FIG. 4 is a side view of the embodiment of FIG. 1;  
FIG. 5 is another side view of the embodiment of FIG. 1;  
FIG. 6 is a top view of the embodiment of FIG. 1; and,  
FIG. 7 is a bottom view of the embodiment of FIG. 1.  
The ornamental design which is claimed is shown in solid lines in the drawings. The broken lines in the drawings are for illustrative purposes only and form no part of the claimed design. Broken lines formed of unequal length dashes (i.e., dash-dot) define bounds of the claimed design.

**1 Claim, 5 Drawing Sheets**

(56) **References Cited**  
U.S. PATENT DOCUMENTS  
2,642,037 A \* 6/1953 Merrill ..... A01K 1/0011  
119/523  
D260,234 S \* 8/1981 Johnson, Jr. .... D8/373  
D291,232 S \* 8/1987 Haug ..... D23/238  
D291,238 S \* 8/1987 Haug ..... D23/252  
5,111,770 A \* 5/1992 Weelink ..... A01K 1/0011  
119/523  
D383,665 S \* 9/1997 Vissers ..... D8/363  
D440,637 S \* 4/2001 Lefroy-Brooks ..... D23/238  
D441,840 S \* 5/2001 Meylan ..... D23/238  
6,318,297 B1 \* 11/2001 Hatfield ..... A01K 1/0011  
119/516  
D479,310 S \* 9/2003 Ziemann ..... D23/238  
D499,956 S \* 12/2004 Wall ..... D8/370



(56)

**References Cited**

## U.S. PATENT DOCUMENTS

D752,186	S	*	3/2016	Schoenherr	.....	D23/255
D752,187	S	*	3/2016	Schoenherr	.....	D23/255
D760,065	S	*	6/2016	Kuehn	.....	D8/354
9,551,136	B2	*	1/2017	Keiter	.....	E03C 1/0404
D802,722	S	*	11/2017	Flowers	.....	D23/252
D810,237	S	*	2/2018	Schoenherr	.....	D23/238
D811,529	S	*	2/2018	Schoenherr	.....	D23/238
D811,532	S	*	2/2018	Schoenherr	.....	D23/238
D811,533	S	*	2/2018	Schoenherr	.....	D23/238
D813,986	S	*	3/2018	Schoenherr	.....	D23/238
D813,987	S	*	3/2018	Schoenherr	.....	D23/238
D813,990	S	*	3/2018	Schoenherr	.....	D23/242
D817,250	S	*	5/2018	Ziaylek	.....	D12/317
D819,179	S	*	5/2018	Soulier	.....	D23/250
D823,988	S	*	7/2018	Soulier	.....	D23/238
D823,989	S	*	7/2018	Soulier	.....	D23/238
D826,948	S	*	8/2018	Xiao	.....	D14/447
D828,513	S	*	9/2018	Rashid	.....	D23/238
10,066,375	B2	*	9/2018	Kostorz	.....	E03C 1/0404
D832,611	S	*	11/2018	McKenna	.....	D6/540
D836,183	S	*	12/2018	Slothower	.....	D23/242
D837,937	S	*	1/2019	Soulier	.....	D23/238
10,436,383	B1	*	10/2019	Darby	.....	F24F 13/32
D871,896	S	*	1/2020	Beukema	.....	D8/363
D899,565	S	*	10/2020	Soulier	.....	D23/255
D905,202	S	*	12/2020	Zhang	.....	D23/238
2012/0187259	A1	*	7/2012	Cheng	.....	F16M 11/10 248/188.6

\* cited by examiner

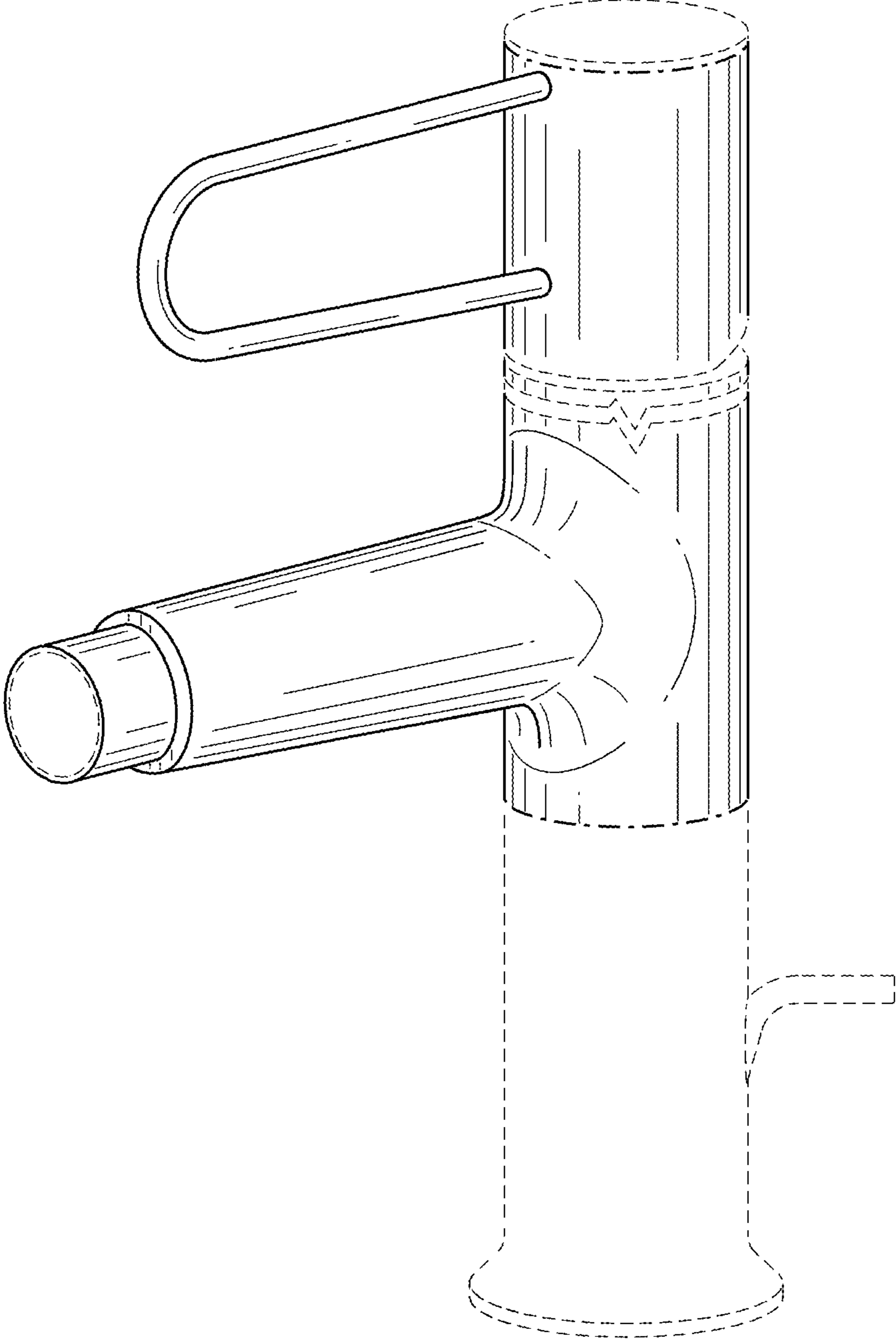


FIG. 1

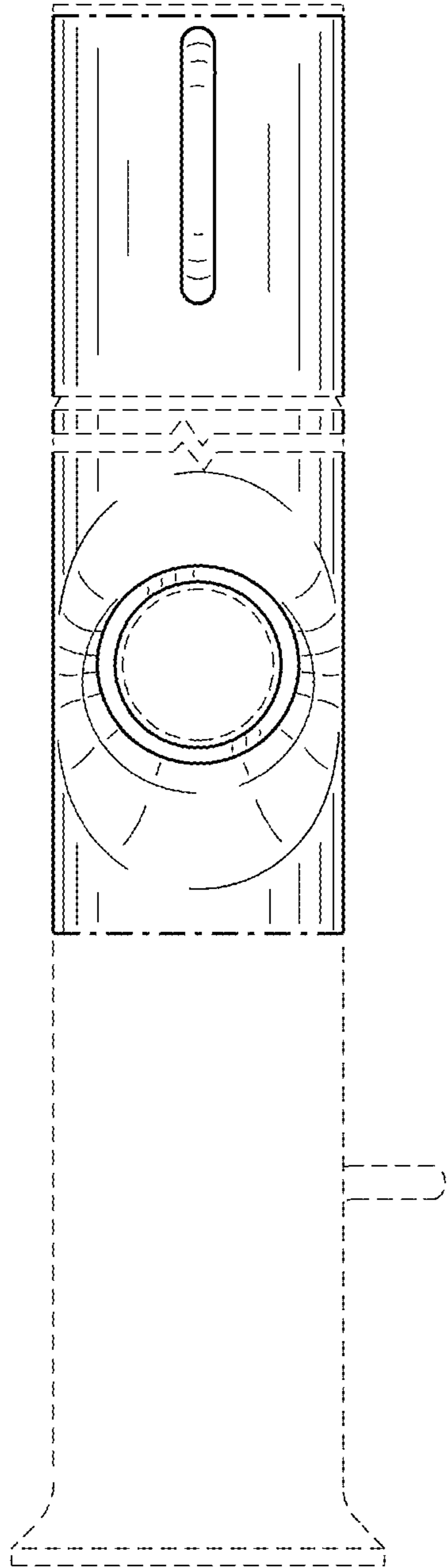


FIG. 2

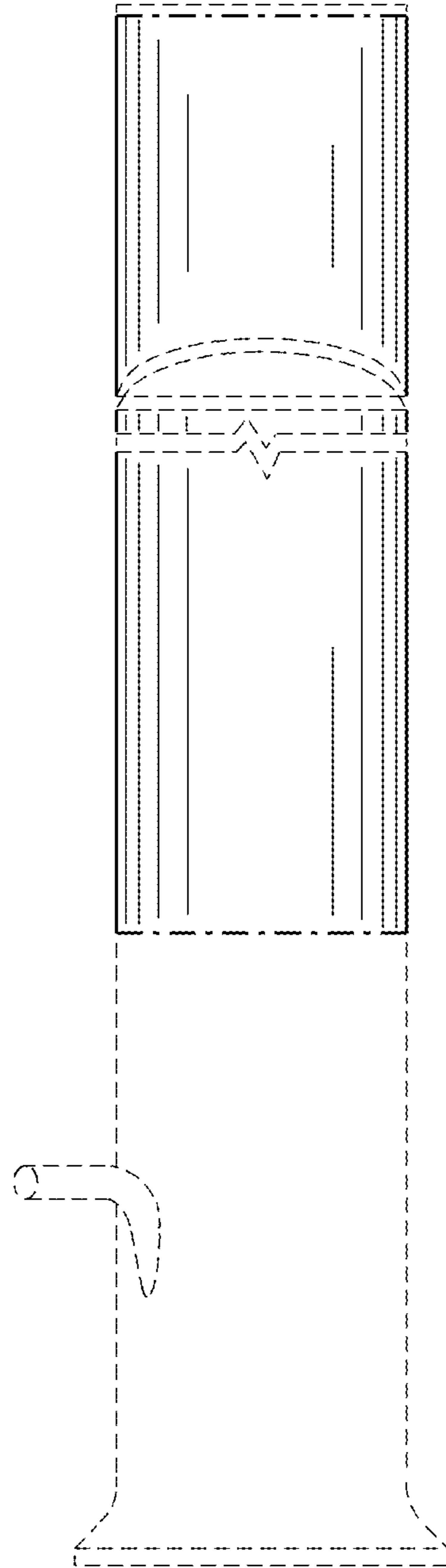


FIG. 3

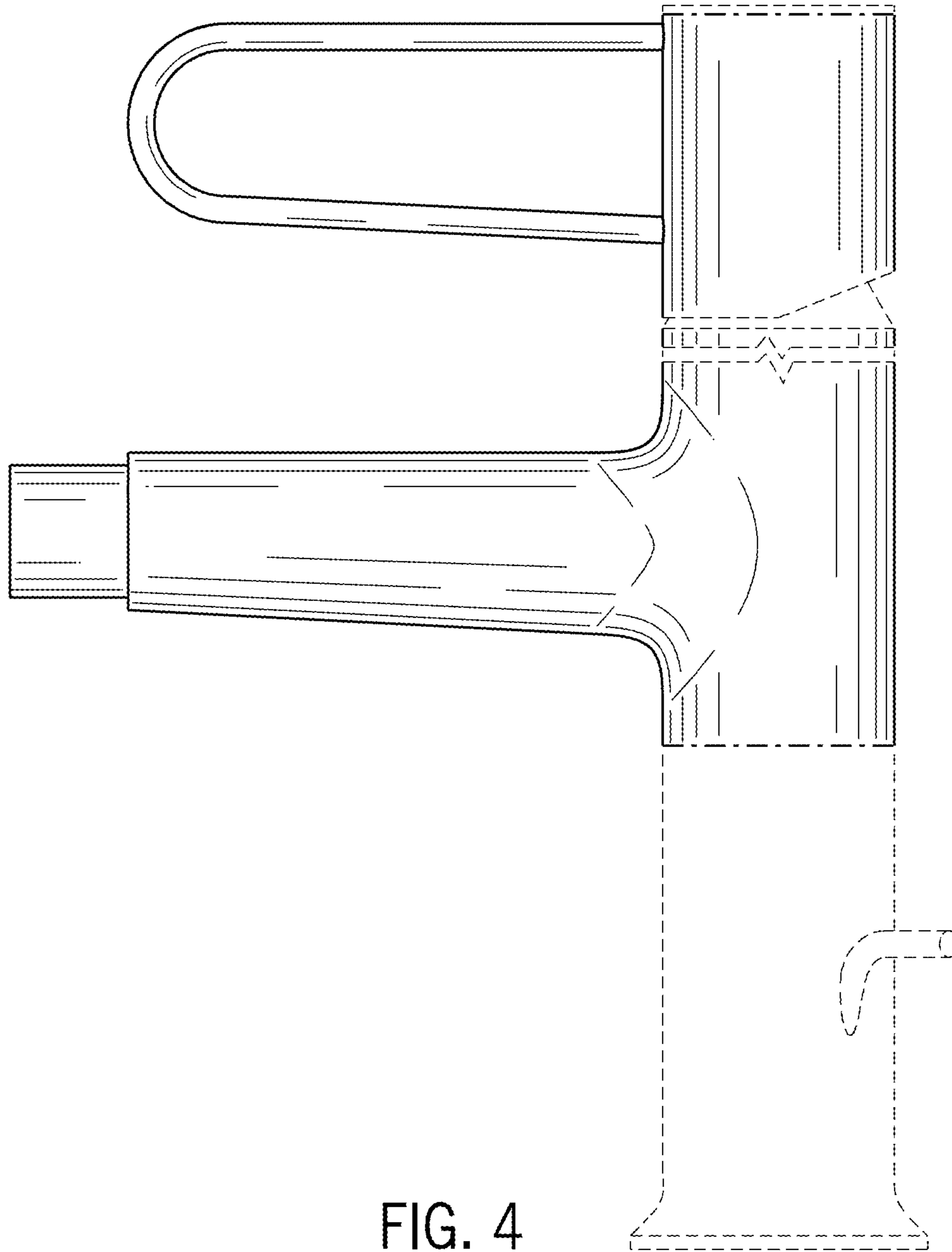


FIG. 4

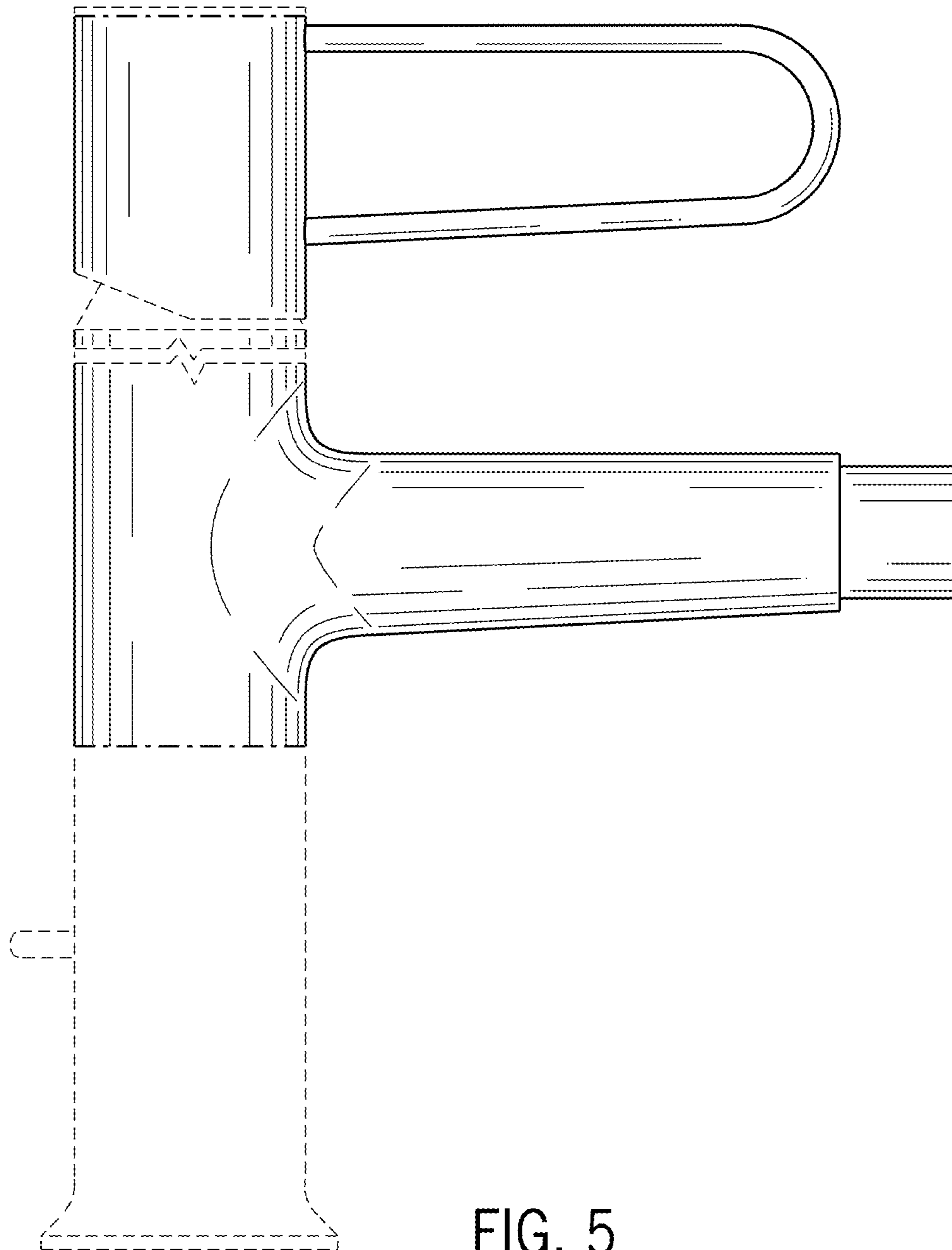


FIG. 5

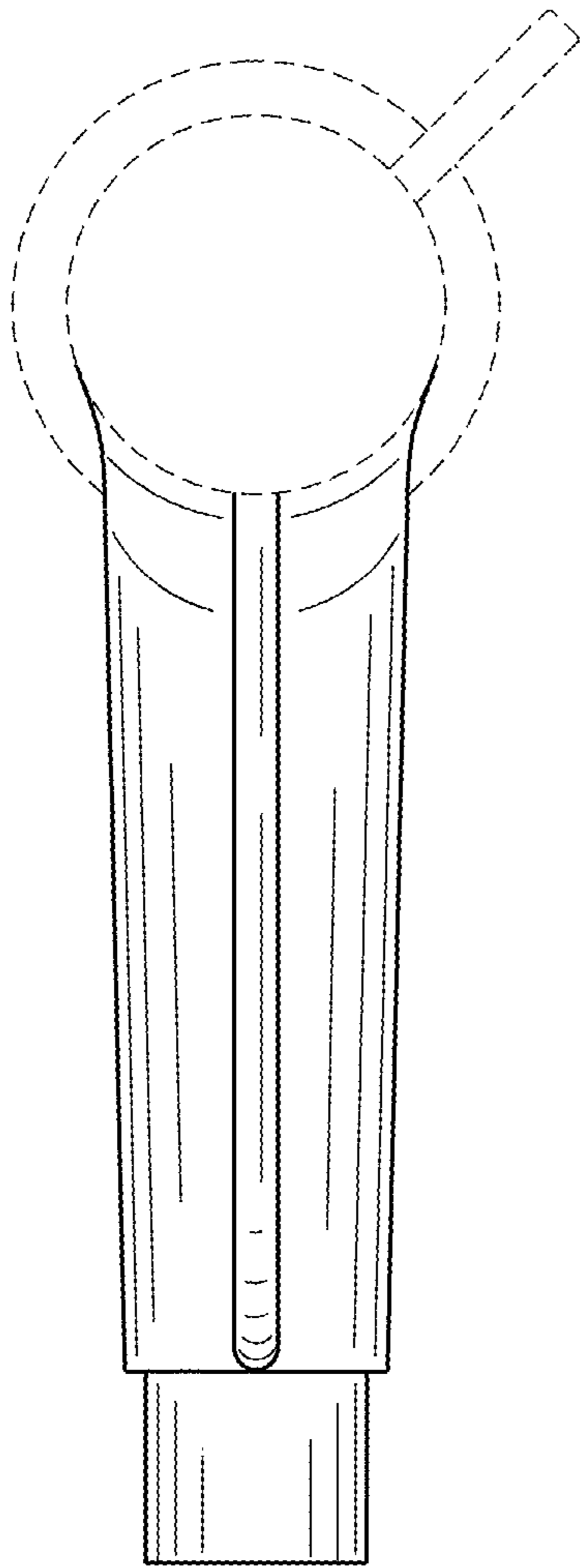


FIG. 6

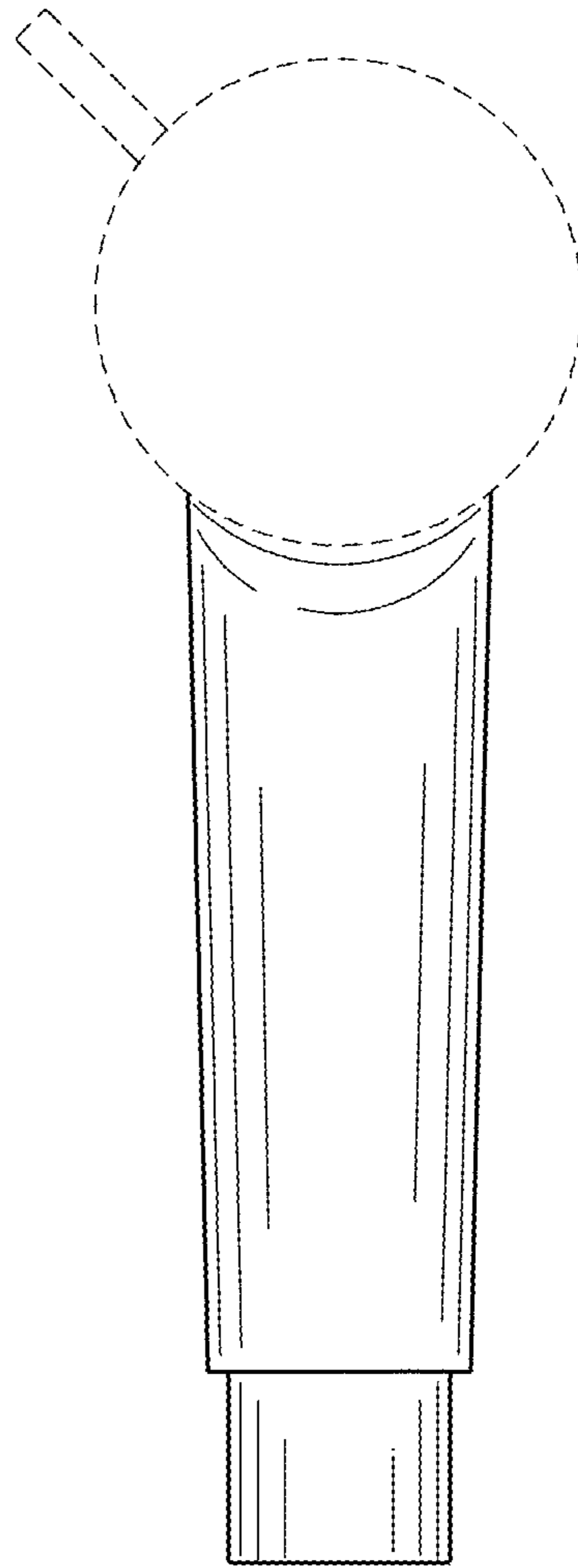


FIG. 7