



US00D911491S

(12) **United States Design Patent** (10) **Patent No.:** **US D911,491 S**
Sumiyoshi et al. (45) **Date of Patent:** **** Feb. 23, 2021**

(54) **MANIFOLD TYPE ELECTROMAGNETIC VALVE**

(71) Applicant: **SMC CORPORATION**, Chiyoda-ku (JP)

(72) Inventors: **Seietsu Sumiyoshi**, Moriya (JP); **Ikuo Kanzaka**, Bando (JP)

(73) Assignee: **SMC CORPORATION**, Chiyoda-ku (JP)

(**) Term: **15 Years**

(21) Appl. No.: **29/718,043**

(22) Filed: **Dec. 20, 2019**

(30) **Foreign Application Priority Data**

Jul. 29, 2019 (JP) 2019-016847

(51) **LOC (13) Cl.** **23-01**

(52) **U.S. Cl.**
USPC **D23/233**

(58) **Field of Classification Search**
USPC D23/233, 249; 251/129.15, 129.01, 251/129.22; 137/884, 597, 606, 625.64, 137/271
CPC F16K 31/0675; F16K 27/029; F16K 31/0658; F16K 31/082; F16K 27/048; F16K 11/24; H01F 2007/1692
See application file for complete search history.

(56) **References Cited**

U.S. PATENT DOCUMENTS

D533,628 S * 12/2006 Miyazoe D23/233
D594,932 S * 6/2009 Miyazoe D23/233

D599,889 S * 9/2009 Oshima D23/233
D599,890 S * 9/2009 Yoshimura D23/233
D621,477 S * 8/2010 Miyazoe D23/233
D621,910 S * 8/2010 Miyazoe D23/233
D621,911 S * 8/2010 Miyazoe D23/233
D888,200 S * 6/2020 Nakayama D23/233

FOREIGN PATENT DOCUMENTS

CN 305076993 S 3/2019

* cited by examiner

Primary Examiner — Gino Colan

(74) *Attorney, Agent, or Firm* — Oblon, McClelland, Maier & Neustadt, L.L.P.

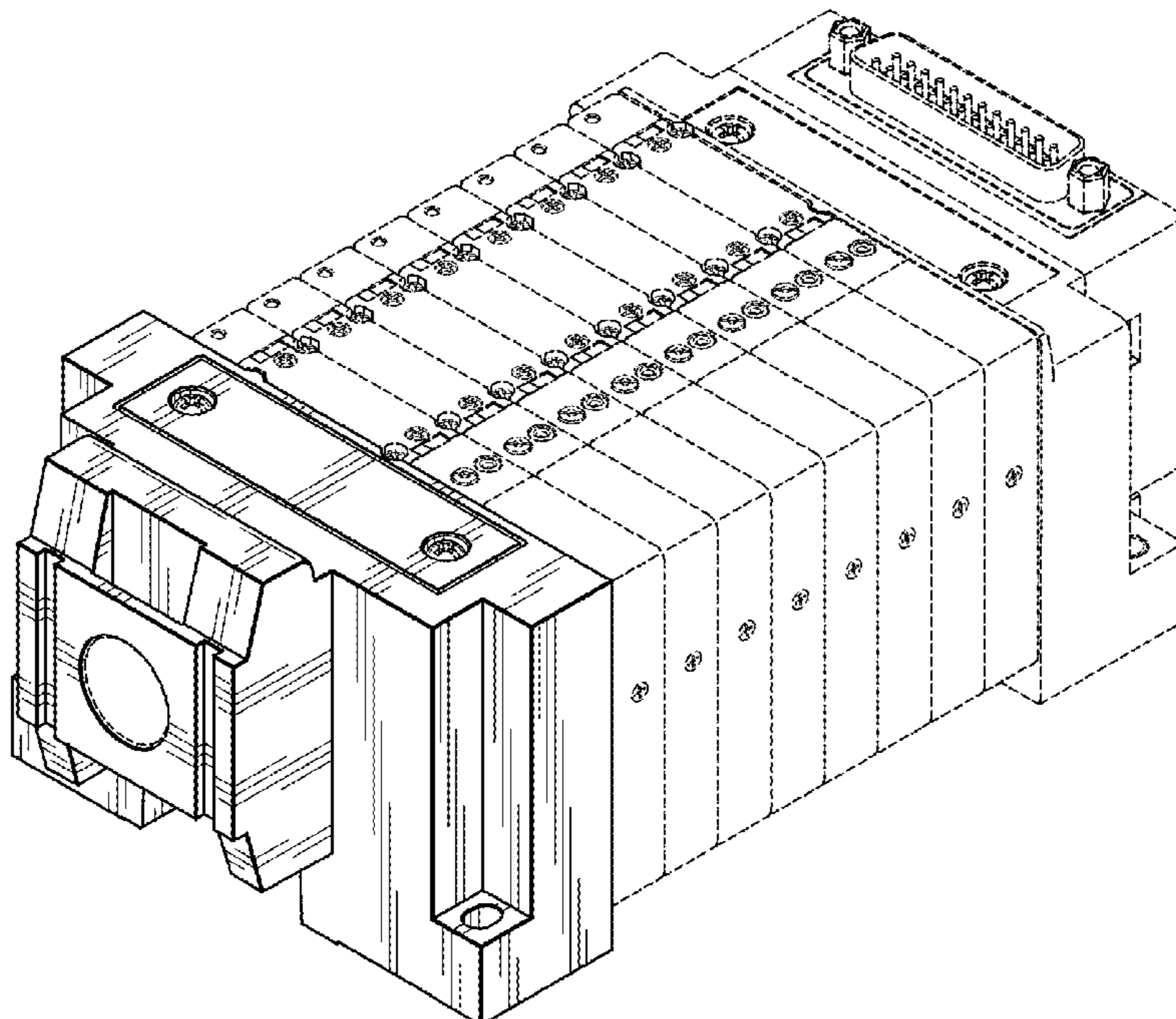
(57) **CLAIM**

The ornamental design for a manifold type electromagnetic valve, as shown and described.

DESCRIPTION

FIG. 1 is a rear, top, and right side perspective view of a manifold type electromagnetic valve; FIG. 2 is a front, top, and left side perspective view thereof; FIG. 3 is a front, bottom, and right side view thereof; FIG. 4 is a front elevational view thereof; FIG. 5 is a rear elevational view thereof; FIG. 6 is a top plan view thereof; FIG. 7 is a bottom plan view thereof; FIG. 8 is a left side elevational view thereof; and, FIG. 9 is a right side elevational view thereof. The broken lines shown in the figures are for the purpose of illustrating portions of the manifold type electromagnetic valve that form no part of the claimed design.

1 Claim, 9 Drawing Sheets



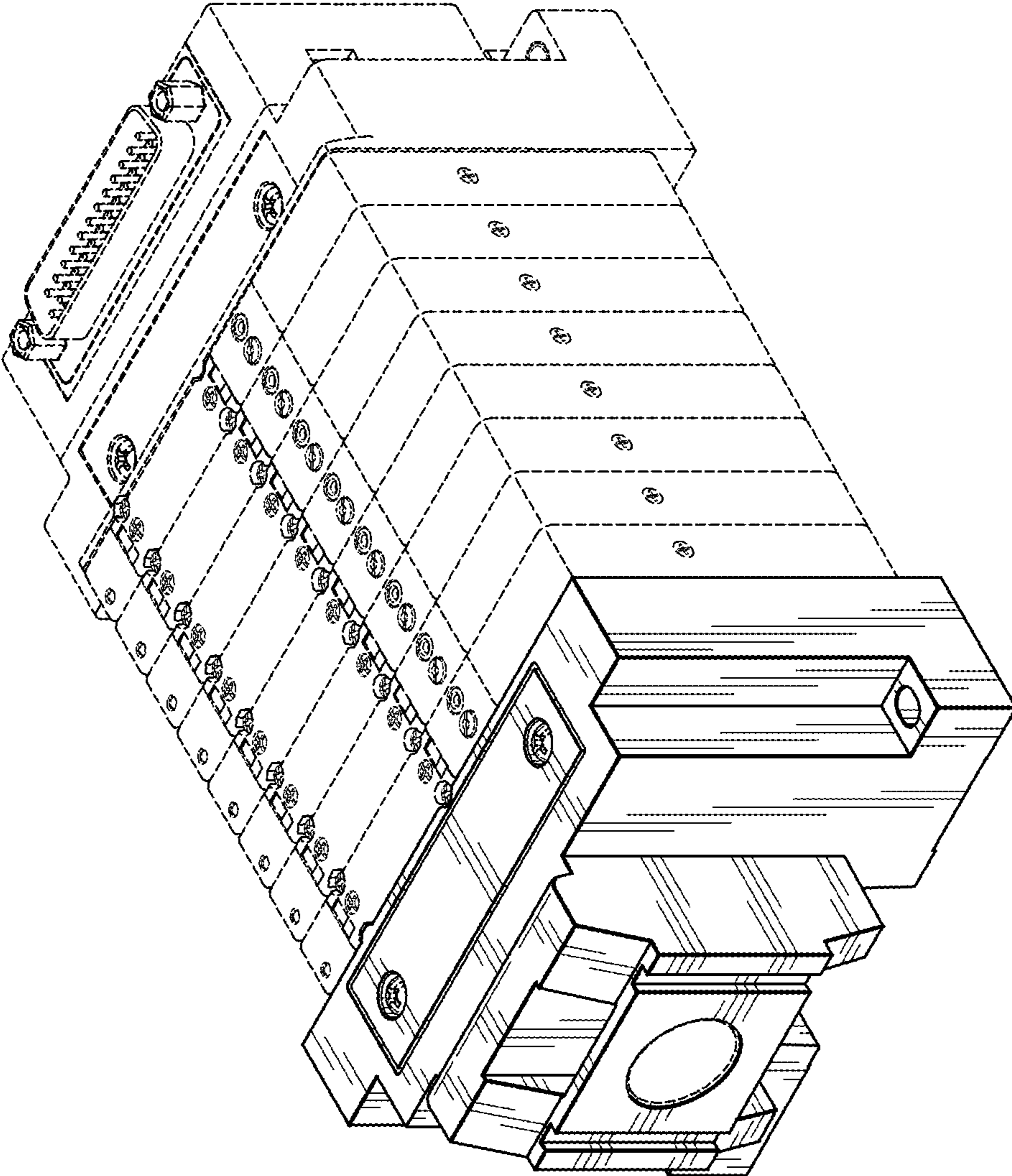


FIG. 1

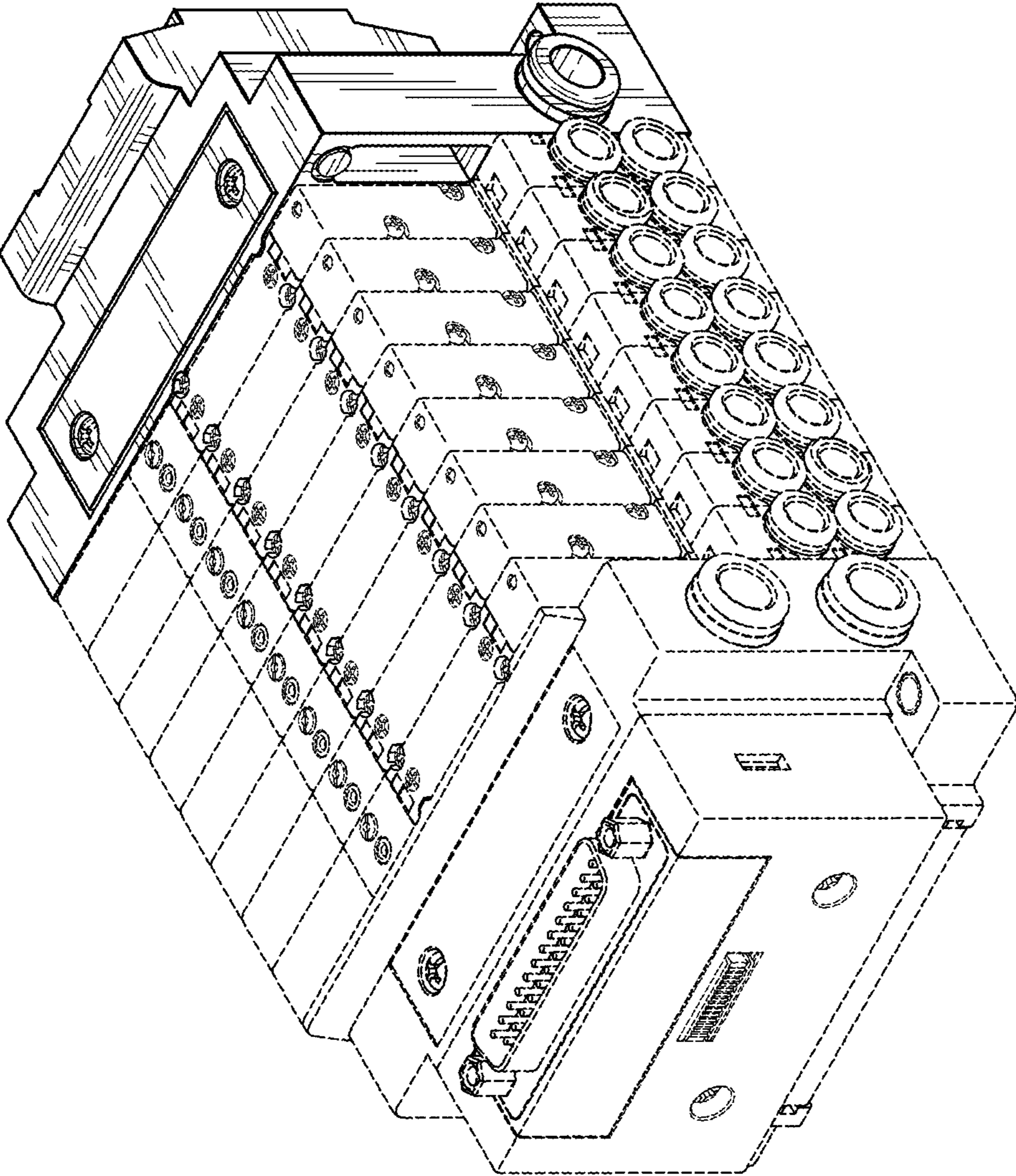


FIG. 2

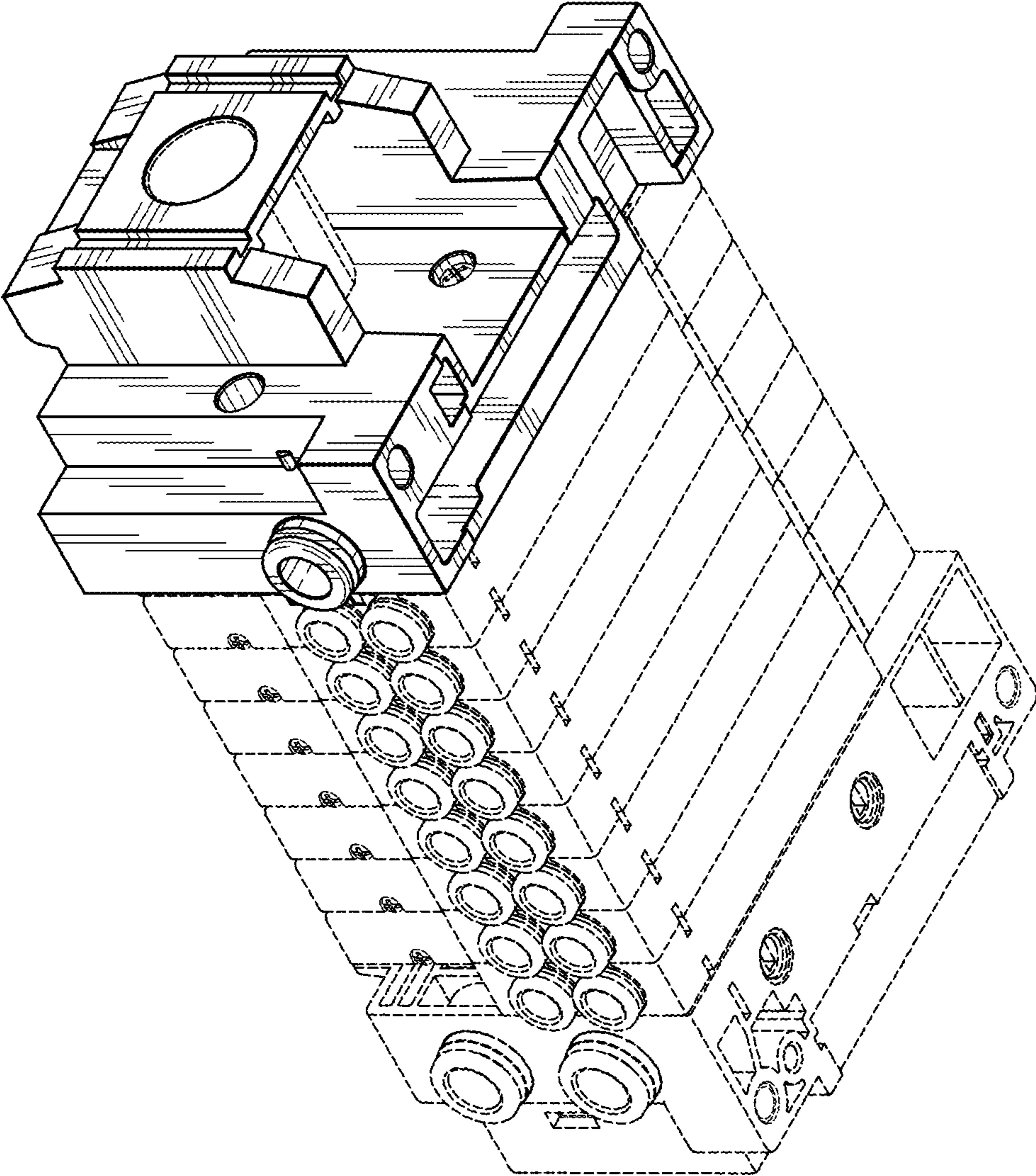


FIG. 3

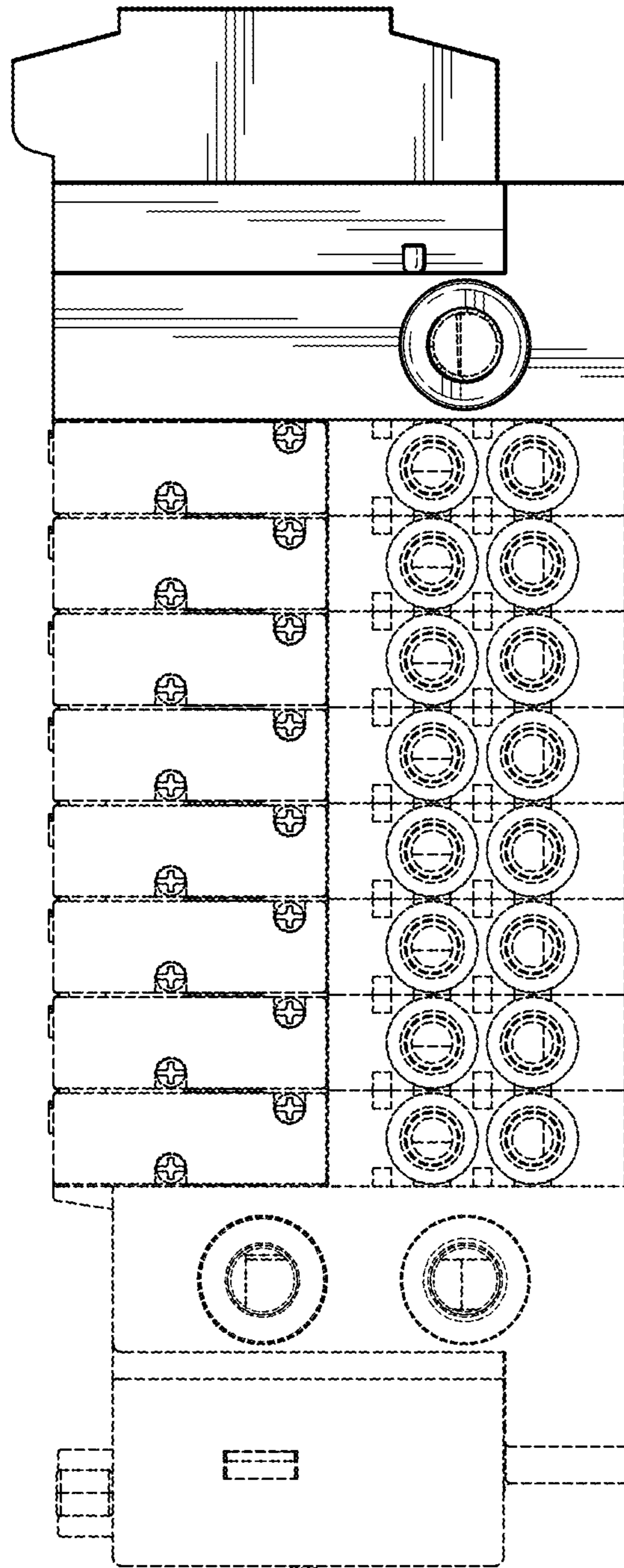


FIG. 4

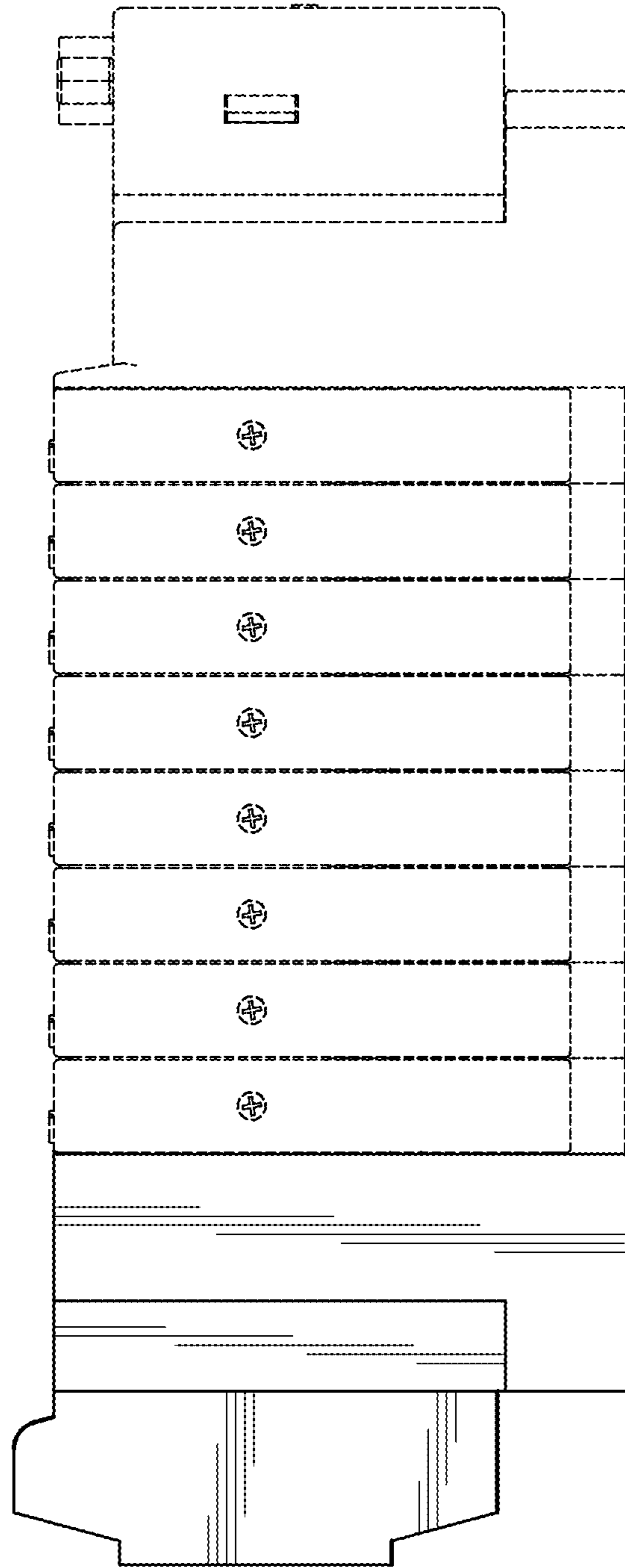


FIG. 5

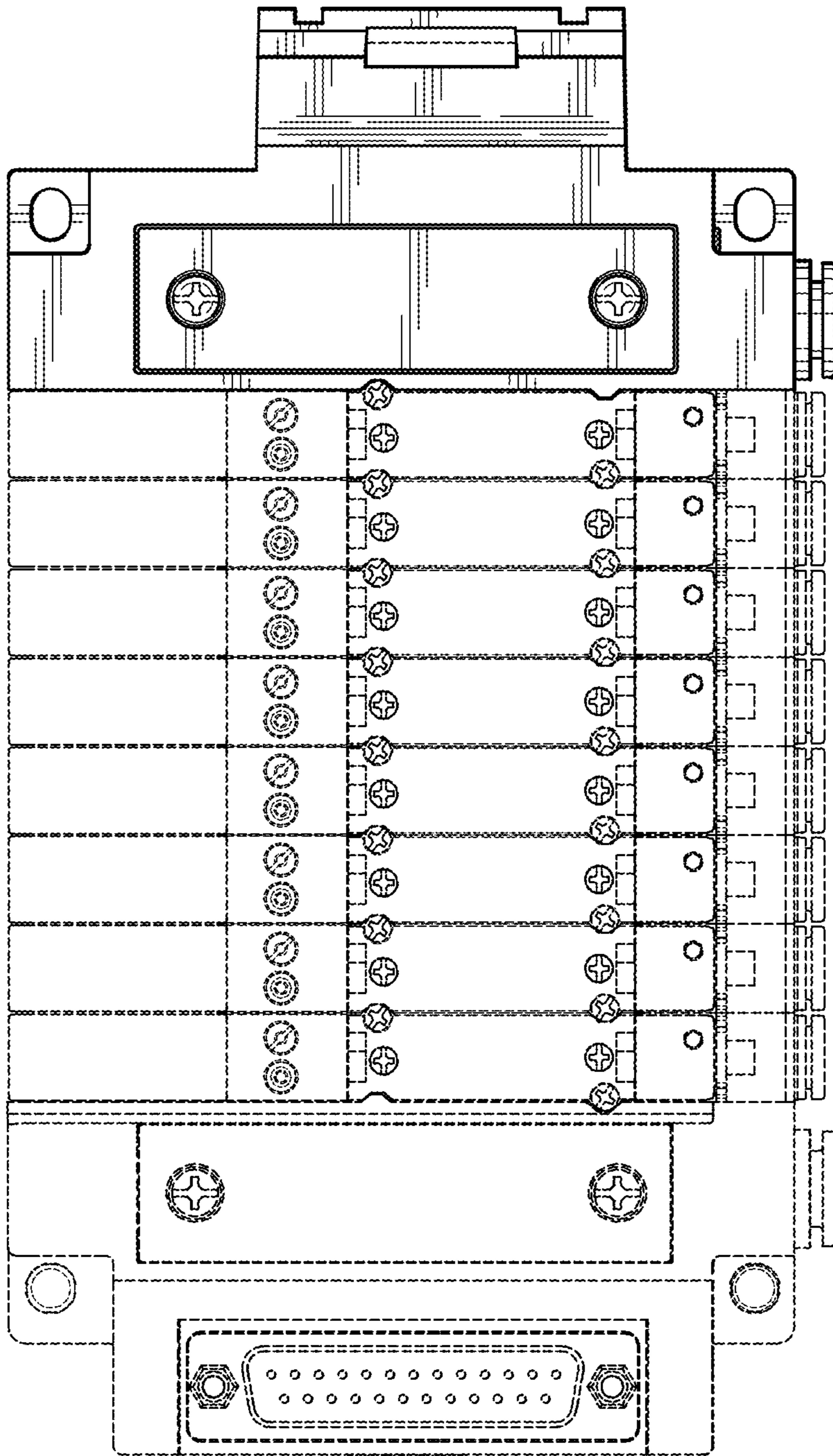


FIG. 6

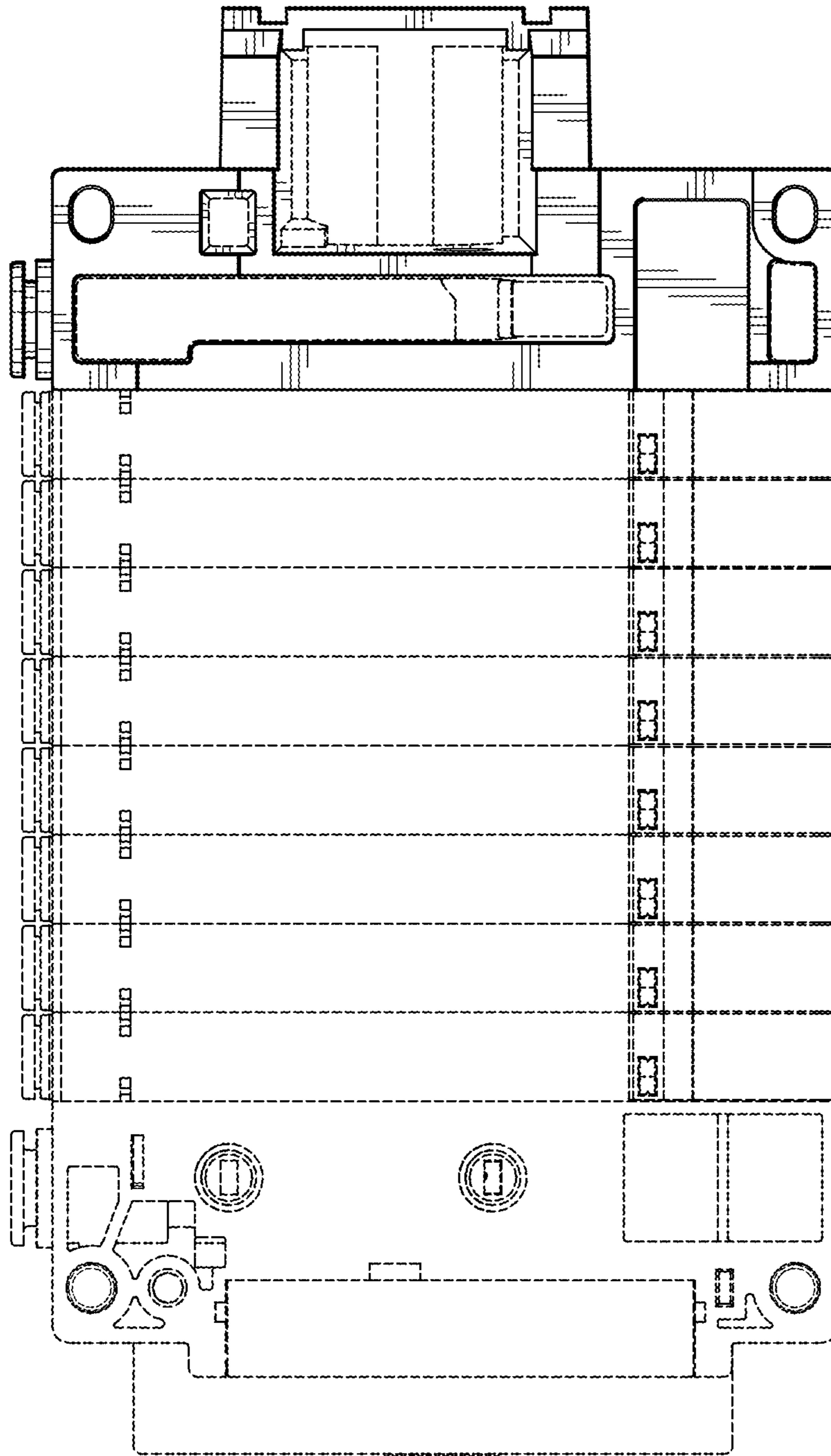


FIG. 7

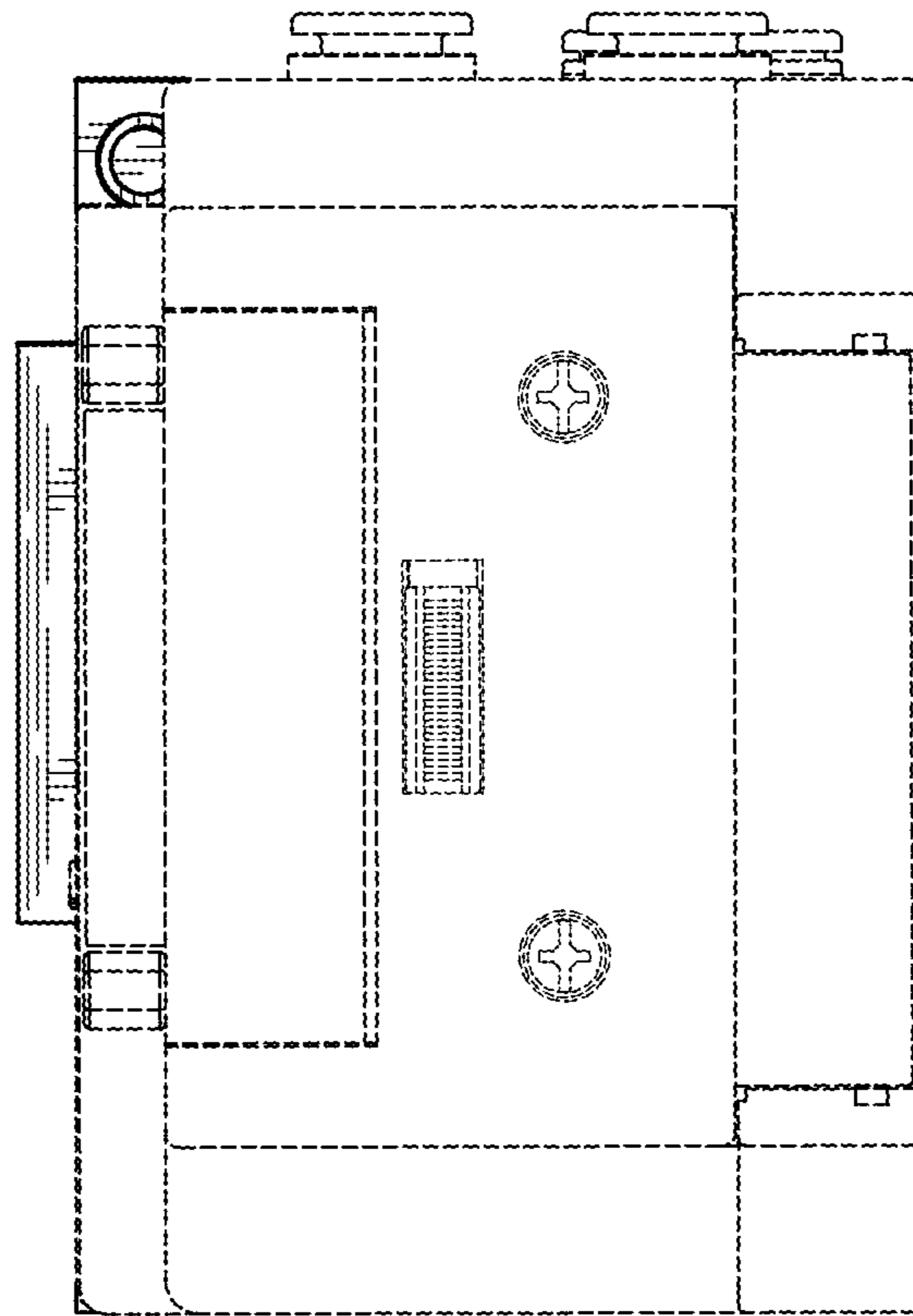


FIG. 8

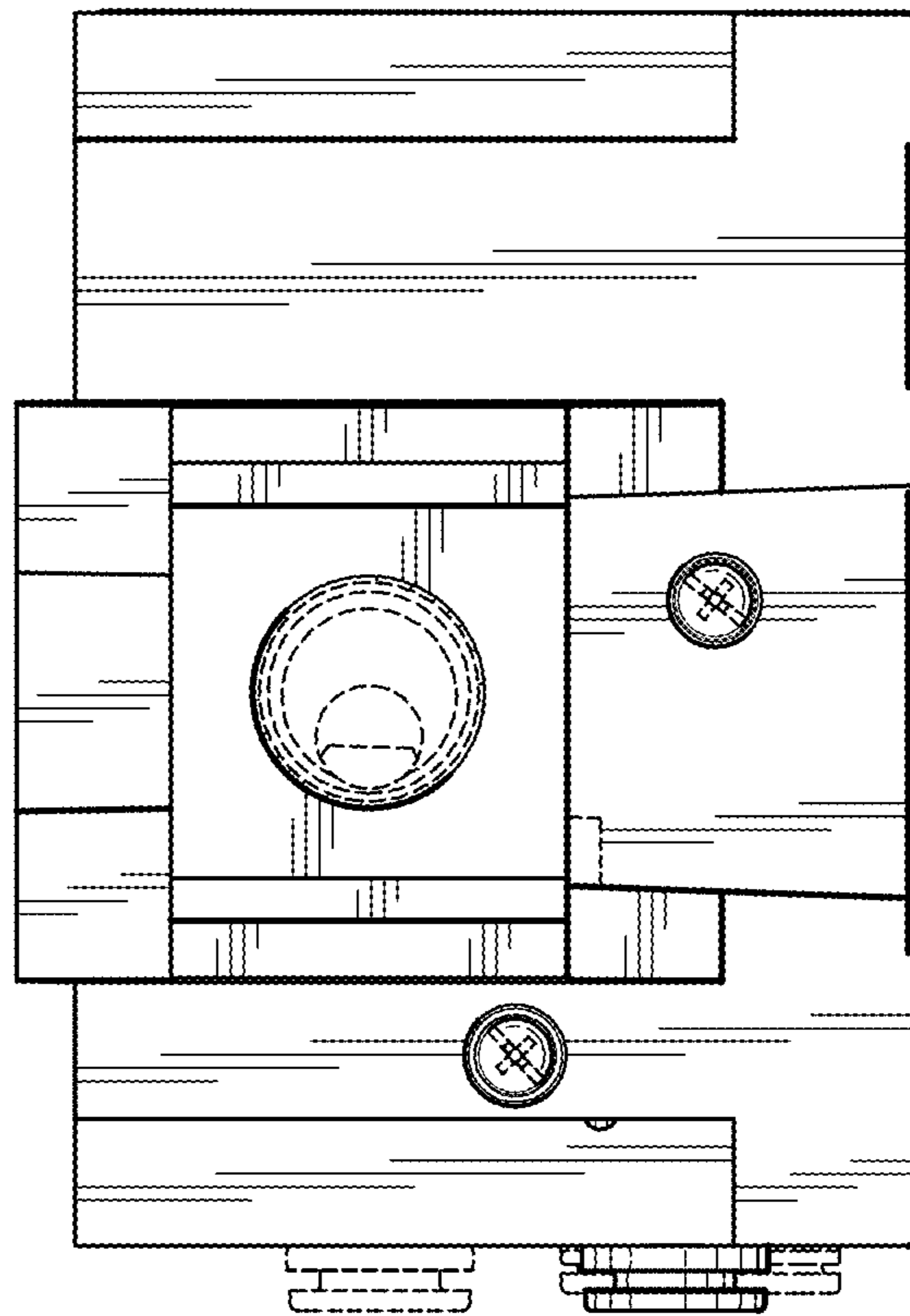


FIG. 9