



US00D911490S

(12) **United States Design Patent** (10) **Patent No.:** **US D911,490 S**  
**Chin et al.** (45) **Date of Patent:** **\*\* Feb. 23, 2021**

(54) **SPRAYER**

(71) Applicant: **Building Materials Investment Corporation**, Dallas, TX (US)

(72) Inventors: **Norman M. Chin**, Somerville, NJ (US); **Lingtao Yu**, Summit, NJ (US); **Linlin Xing**, Wayne, NJ (US); **Daniel Boss**, Morris Township, NJ (US); **Eric R. Anderson**, Montclair, NJ (US)

(73) Assignee: **Building Materials Investment Corporation**, Dallas, TX (US)

(\*\*) Term: **15 Years**

(21) Appl. No.: **29/716,072**

(22) Filed: **Dec. 6, 2019**

(51) **LOC (13) Cl.** ..... **23-01**

(52) **U.S. Cl.**  
USPC ..... **D23/223**

(58) **Field of Classification Search**  
USPC ..... D23/213, 214, 215, 223, 224, 226, 229  
CPC ..... A61H 9/0021; A61H 33/00; B05B 1/00; B05B 1/14; B05B 1/185; B05B 1/08; B05B 1/02; B05B 1/26; B05B 12/002; B05B 1/18; B05B 9/01  
See application file for complete search history.

(56) **References Cited**

**U.S. PATENT DOCUMENTS**

- 5,263,646 A \* 11/1993 McCauley ..... B05B 15/652 239/154
- D360,252 S \* 7/1995 Dennison ..... D23/213
- D414,841 S \* 10/1999 Krueger ..... D23/214
- D447,556 S \* 9/2001 Clifton ..... D24/108
- D512,121 S \* 11/2005 Chen ..... D23/223
- D657,845 S \* 4/2012 Shafer ..... D23/214
- D684,662 S \* 6/2013 Cordani ..... D23/223
- D693,902 S \* 11/2013 Dodson ..... D23/213

- D710,484 S \* 8/2014 Ariss ..... D23/223
- 9,170,041 B2 \* 10/2015 Dodson ..... B05B 1/044
- D747,441 S \* 1/2016 Naslund ..... D23/223
- D756,485 S \* 5/2016 Rasmussen ..... D23/223
- 2003/0010838 A1 \* 1/2003 Earl ..... B05B 1/1663 239/104

**OTHER PUBLICATIONS**

“Paint Spray Gun Airless High Pressure . . . Extension Rod for Sprayer Airless Nozzle Extension Spray Gun Paint” Feb. 1, 2019, Amazon, site visited Dec. 30, 2020: <https://www.amazon.com/dp/B07PCMDQ67> (Year: 2019).\*

\* cited by examiner

*Primary Examiner* — Jack Reickel

*Assistant Examiner* — Keith J Wilson

(74) *Attorney, Agent, or Firm* — Venable LLP

(57) **CLAIM**

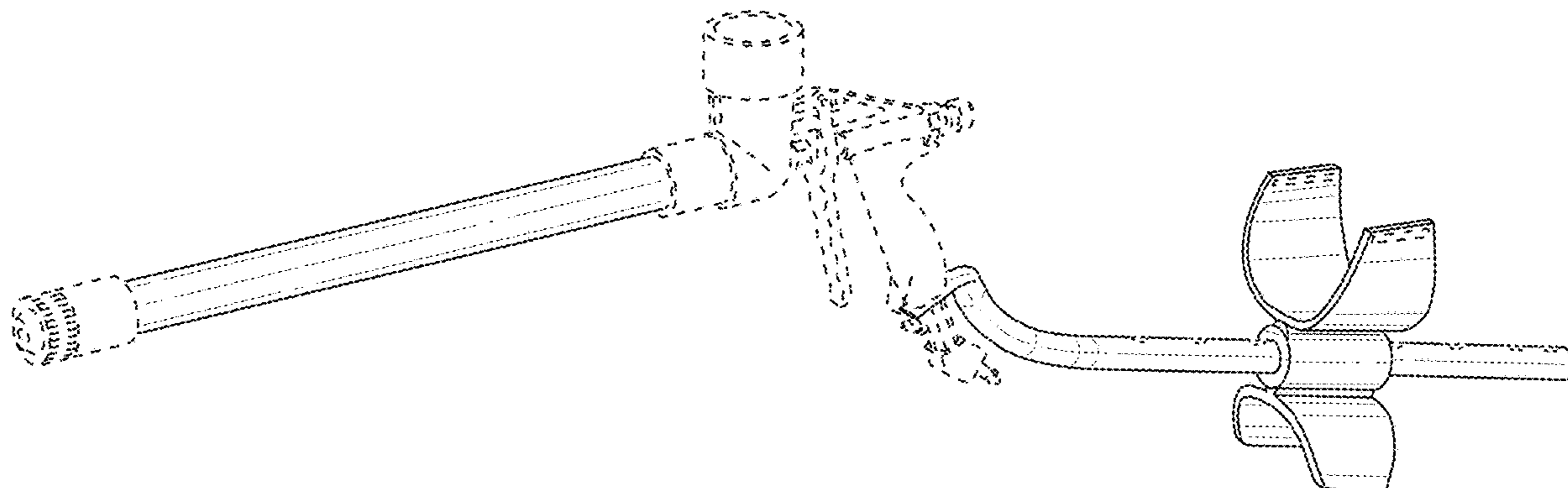
The ornamental design for a sprayer, as shown and described.

**DESCRIPTION**

FIG. 1 is a top perspective view of a sprayer showing our new design;  
FIG. 2 is a bottom perspective view of the sprayer shown in FIG. 1;  
FIG. 3 is a right side view of the sprayer shown in FIG. 1;  
FIG. 4 is a left side view of the sprayer shown in FIG. 1;  
FIG. 5 is a front view of the sprayer shown in FIG. 1;  
FIG. 6 is a rear view of the sprayer shown in FIG. 1;  
FIG. 7 is a top view of the sprayer shown in FIG. 1;  
FIG. 8 is a bottom view of the sprayer shown in FIG. 1; and,  
FIG. 9 is a top perspective view of the sprayer shown in FIG. 1 in a position of use.

The broken lines are for illustrative purposes only and form no part of the claimed design.

**1 Claim, 9 Drawing Sheets**



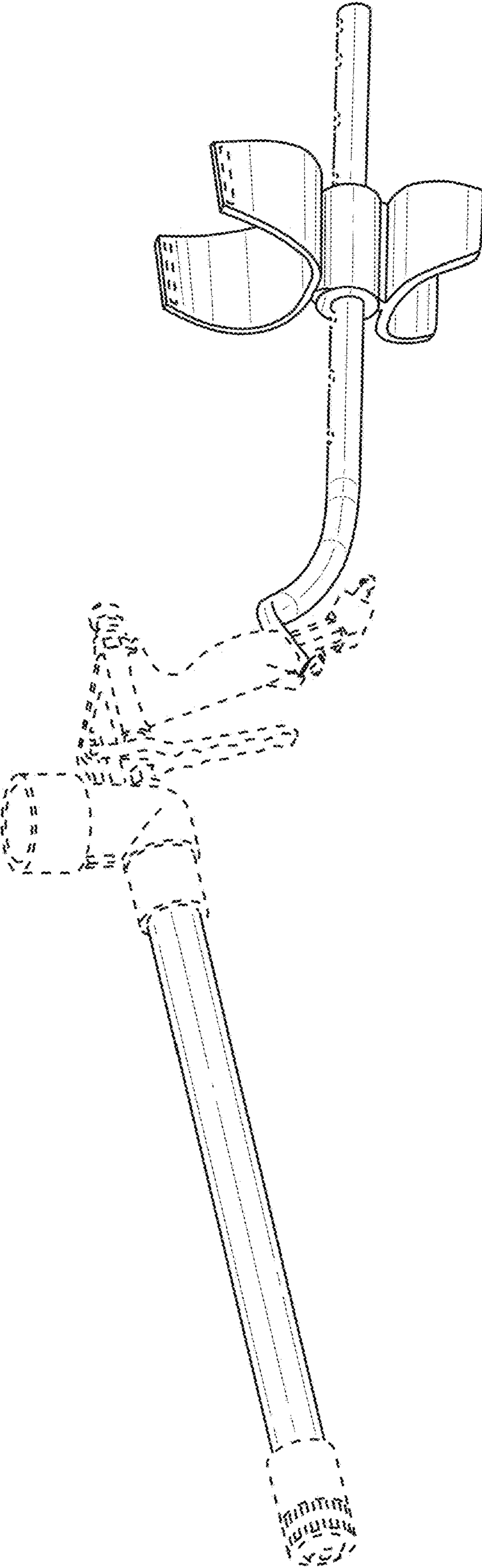
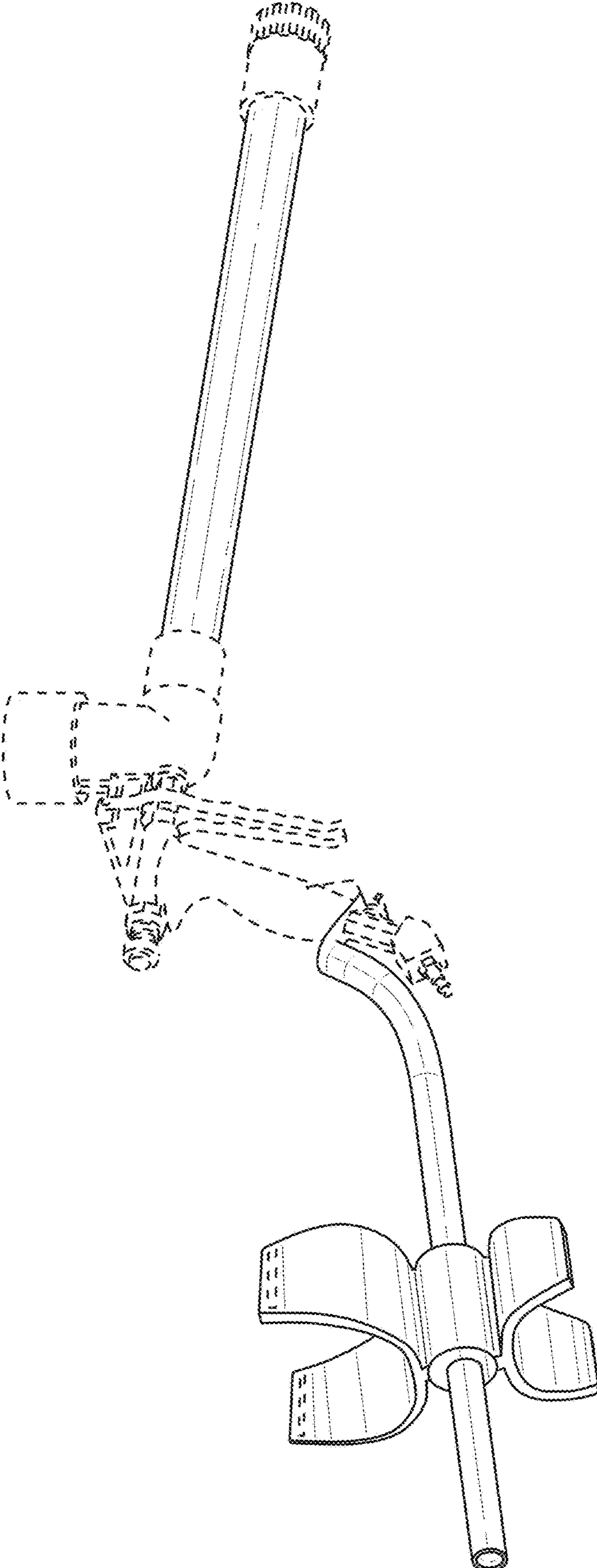


FIG. 1



**FIG. 2**

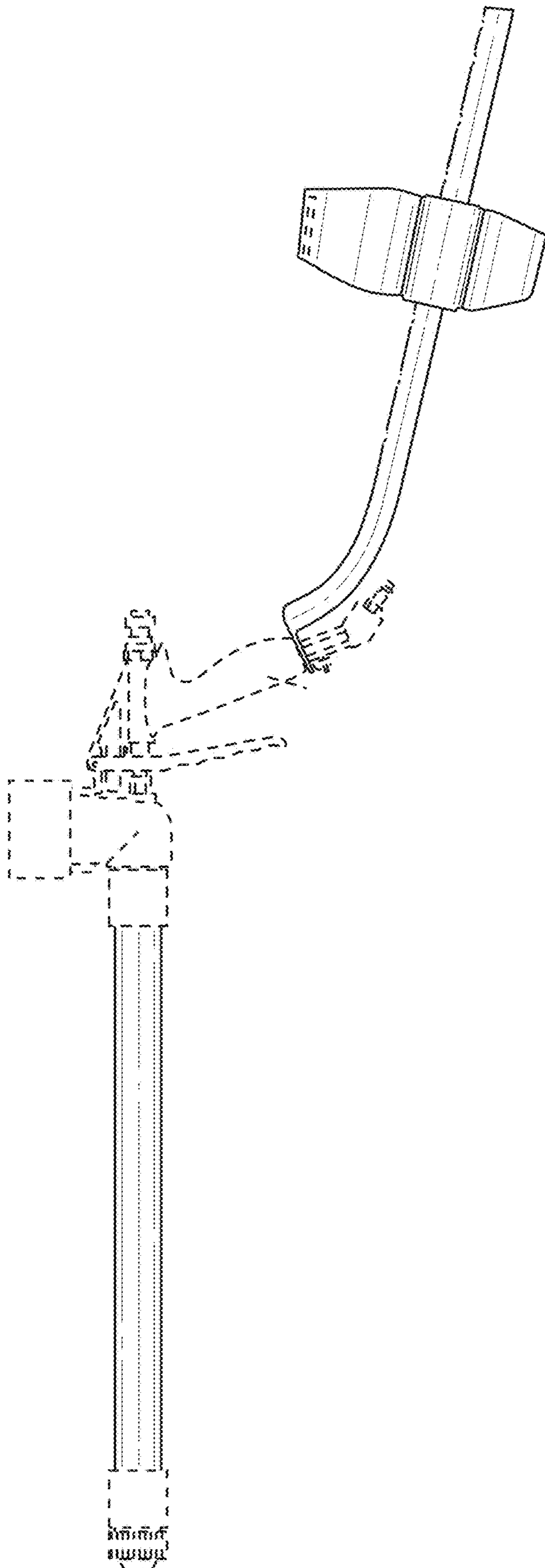
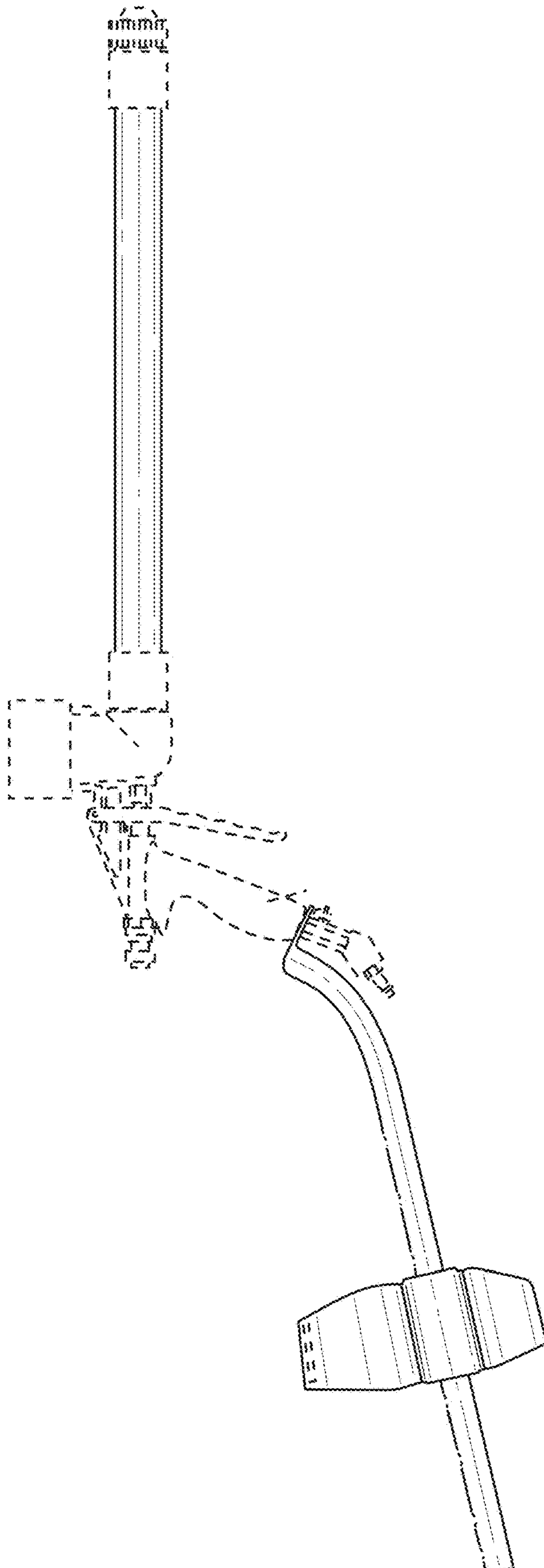
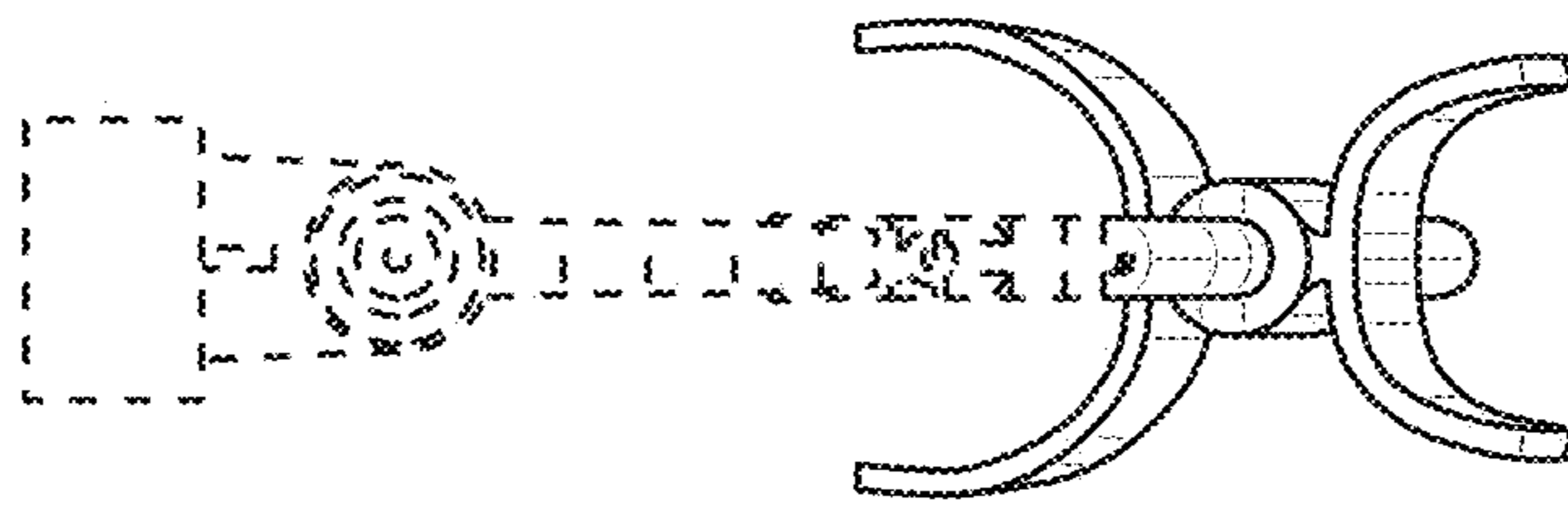


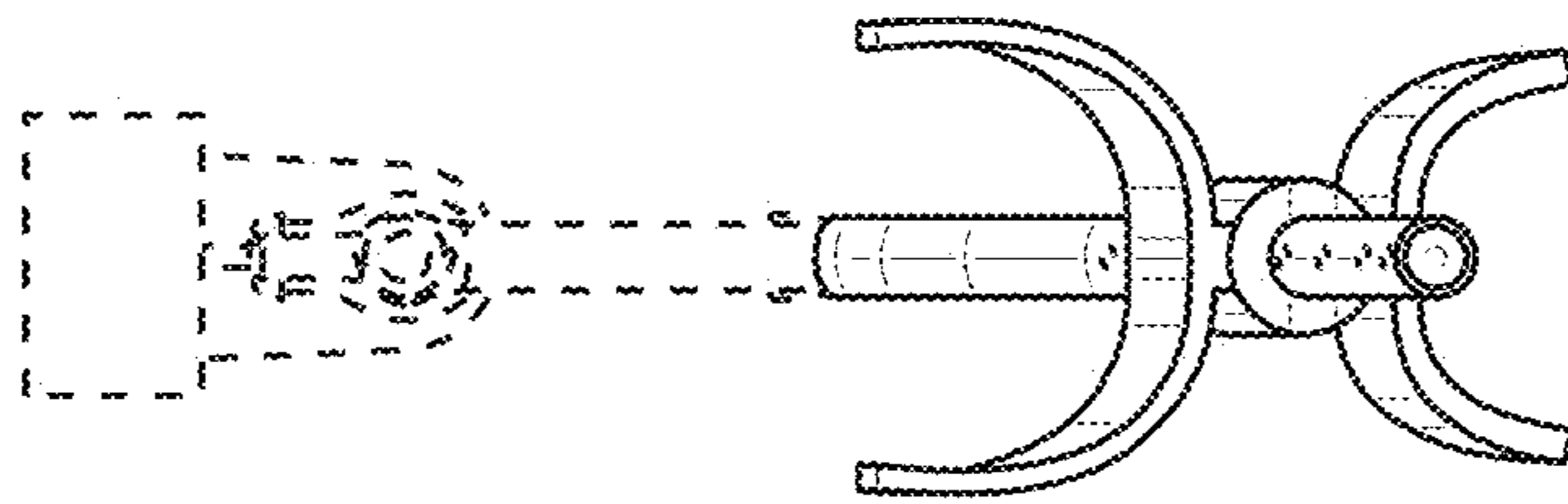
FIG. 3



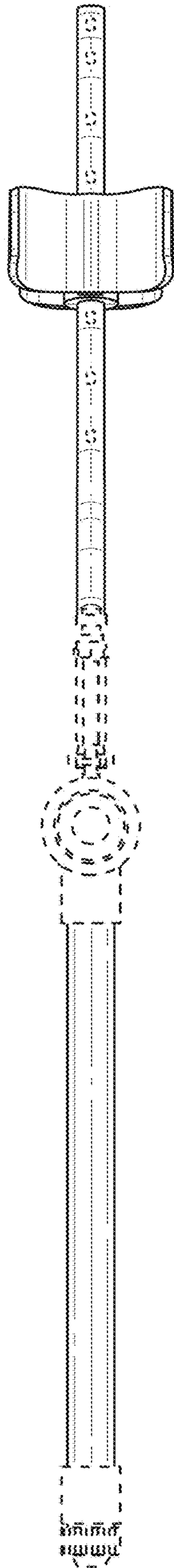
**FIG. 4**



**FIG. 5**

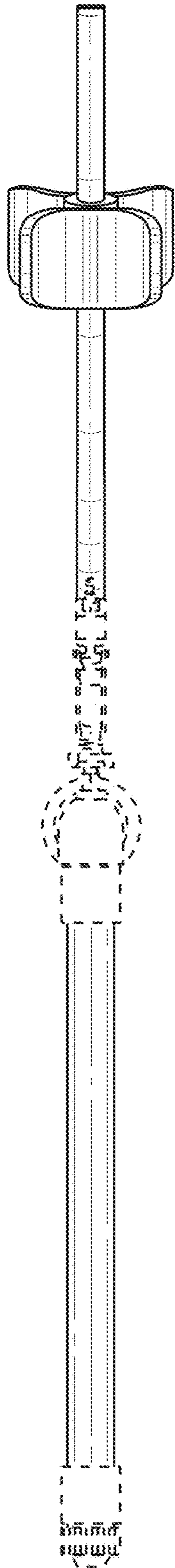


**FIG. 6**



**FIG. 7**





**FIG. 8**

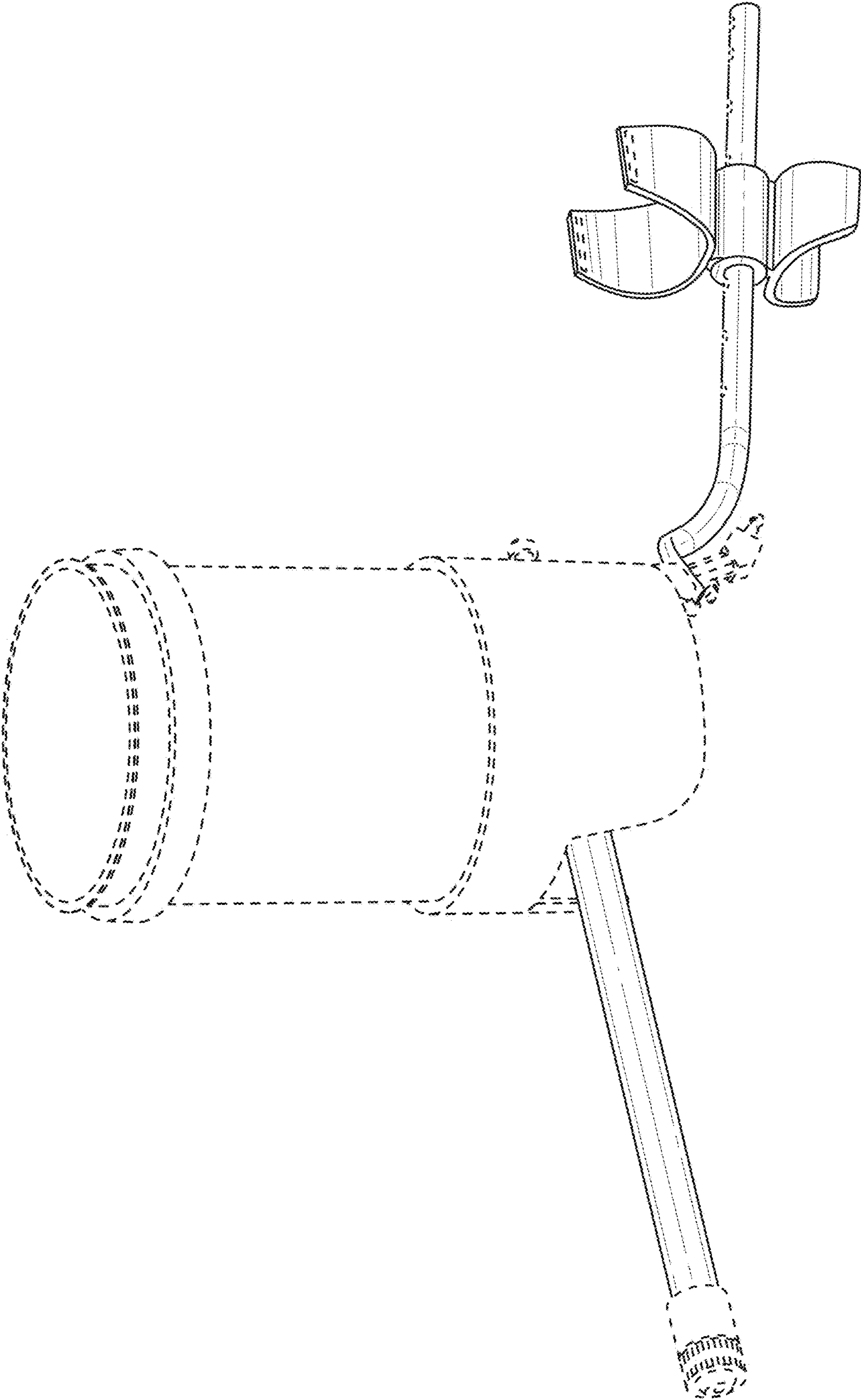


FIG. 9