



US00D911489S

(12) **United States Design Patent**
Spooner

(10) **Patent No.:** **US D911,489 S**
(45) **Date of Patent:** **** Feb. 23, 2021**

- (54) **LIQUID SPRAY NOZZLE**
- (71) Applicant: **The Fountainhead Group, Inc.**, New York Mills, NY (US)
- (72) Inventor: **Jeffrey Spooner**, West Winfield, NY (US)
- (73) Assignee: **The Fountainhead Group, Inc.**, New York Mills, NY (US)
- (**) Term: **15 Years**

5,996,134 A *	12/1999	Senninger	E03D 11/16
				138/96 R
D418,590 S *	1/2000	Tracy	D23/213
D439,636 S *	3/2001	Hamilton	D23/213
6,435,567 B2 *	8/2002	Kikumori	F16L 25/0036
				285/319
D462,256 S *	9/2002	Jaynes	D12/160
6,499,771 B1 *	12/2002	Snyder, Sr.	F16L 37/0915
				285/319
D574,931 S *	8/2008	Hughes	D23/262
D595,420 S *	6/2009	Suzuki	D24/227
D595,421 S *	6/2009	Suzuki	D24/227
D595,863 S *	7/2009	Suzuki	D24/227

(Continued)

- (21) Appl. No.: **29/682,447**
- (22) Filed: **Mar. 5, 2019**
- (51) **LOC (13) Cl.** **23-01**
- (52) **U.S. Cl.**
USPC **D23/213**
- (58) **Field of Classification Search**
USPC D23/213, 214, 215, 223, 224, 226, 229,
D23/230
CPC A61H 9/0021; A61H 33/00; B05B 1/00;
B05B 1/14; B05B 1/185; B05B 1/08;
B05B 1/02; B05B 1/26; B05B 12/002;
B05B 1/18; B05B 9/01
See application file for complete search history.

OTHER PUBLICATIONS

https://www.amazon.com/GORILLA-EASY-CONNECT-Fittings-Connector/product-reviews/B07RV65GZ7/ref=cm_cr_getr_d_paging_btm_next_65?ie=UTF8&reviewerType=all_reviews&sortBy=recent&pageNumber=65 (Year: 2017).*

Primary Examiner — Manpreet S Matharu
Assistant Examiner — Keith J Wilson
(74) *Attorney, Agent, or Firm* — Bond Schoeneck & King, PLLC; George McGuire

(57) **CLAIM**

The ornamental design for a liquid spray nozzle, as shown and described.

DESCRIPTION

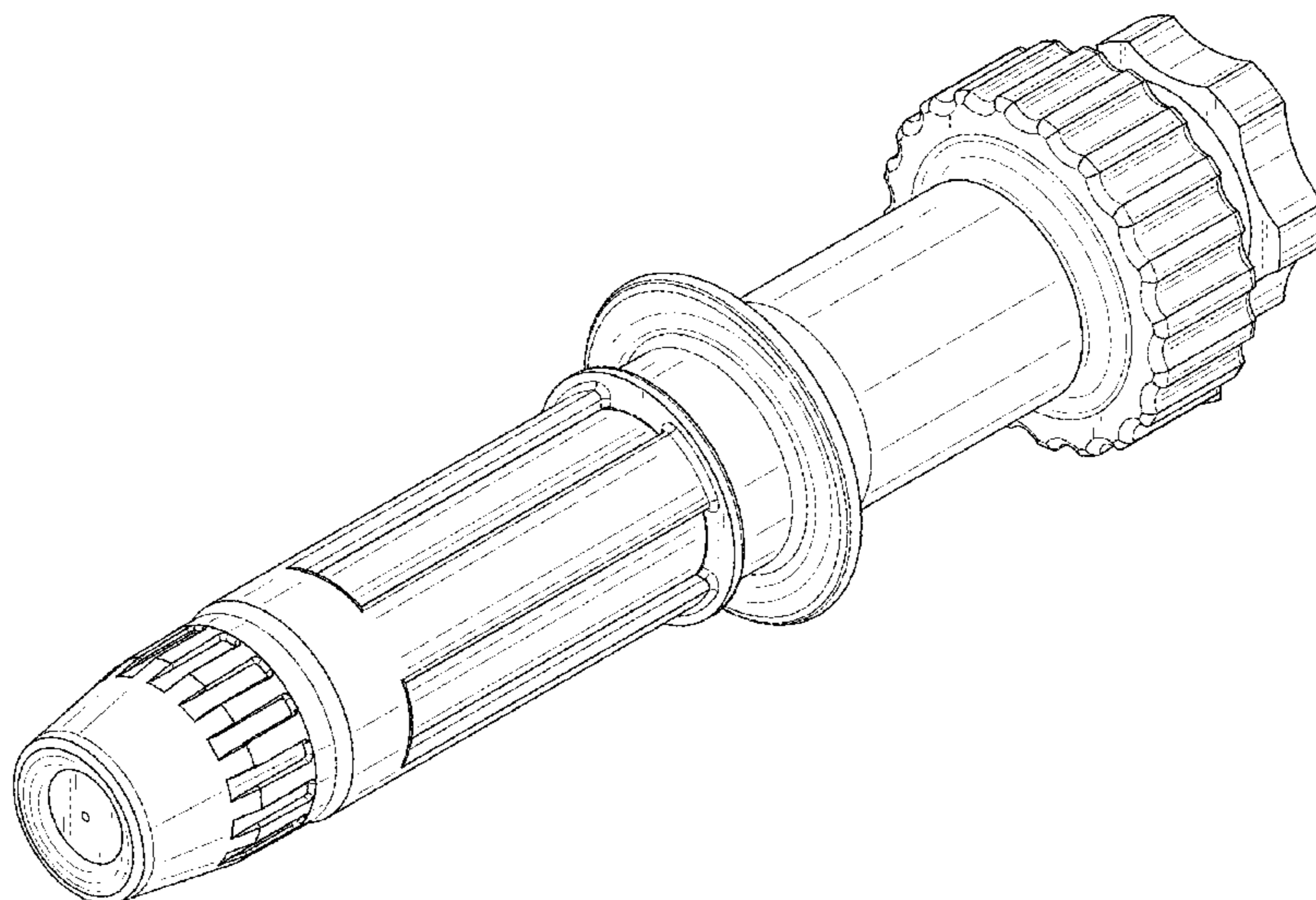
FIG. 1 is a perspective view of a new and ornamental design for a liquid spray nozzle;
FIG. 2 is a top plan view thereof;
FIG. 3 is a bottom plan view thereof;
FIG. 4 is a first side elevation view thereof;
FIG. 5 is a second side elevation view thereof;
FIG. 6 is a front elevation view thereof; and,
FIG. 7 is an inverted front elevation view thereof.
The broken lines shown represent portions of a liquid spray nozzle and form no part of the claimed design.

1 Claim, 4 Drawing Sheets

(56) **References Cited**

U.S. PATENT DOCUMENTS

D221,651 S *	8/1971	Napper	D23/259
D229,496 S *	12/1973	Hand	D23/262
4,827,539 A *	5/1989	Kiziah	E03D 11/16
				285/303
4,899,938 A *	2/1990	Havrilla, Jr.	B05B 7/0815
				239/294
D319,291 S *	8/1991	Hanzel	D23/212
D349,758 S *	8/1994	Hallbach	D23/259
D364,916 S *	12/1995	Hallbach	D23/259
5,799,364 A *	9/1998	Foisy	A47L 5/24
				15/338
D402,354 S *	12/1998	Strong	D23/259



(56)

References Cited

U.S. PATENT DOCUMENTS

D627,432 S *	11/2010	Escoto, Jr.	B05B 7/066	D23/213	D852,934 S *	7/2019	Habres	D23/259
D638,104 S *	5/2011	Govoni	D23/262	D855,781 S *	8/2019	Delancey	D23/259	
D646,762 S *	10/2011	Terry	D23/259	D857,179 S *	8/2019	Thompson	D23/259	
D670,786 S *	11/2012	Mauchle	D23/213	D859,604 S *	9/2019	Dagdelen	D23/259	
8,474,878 B2 *	7/2013	Richter	F16B 2/246	D861,054 S *	9/2019	Avila	D15/199	
D689,590 S *	9/2013	Brose	D23/213	D865,919 S *	11/2019	Lippka	D23/262	
D704,312 S *	5/2014	Kuo	D23/259	D868,112 S *	11/2019	Tsuji	D15/5	
D717,405 S *	11/2014	Coronado	D23/259	2003/0062428 A1 *	4/2003	Baasch	F02M 25/00	
D717,406 S *	11/2014	Stanley	D23/259				239/407	
8,910,677 B1 *	12/2014	Carpenter	B60K 15/04	2004/0080160 A1 *	4/2004	Rief	E04H 4/1654	
			141/312				285/276	
D737,410 S *	8/2015	Wyne	D23/259	2006/0006651 A1 *	1/2006	Watanabe	F16L 25/0036	
D738,470 S *	9/2015	Eaton	F16L 21/08				285/247	
			D23/259	2007/0228727 A1 *	10/2007	Matsuno	F16L 37/0985	
D782,621 S *	3/2017	Smith	D23/259				285/305	
D784,495 S *	4/2017	Pearson	D23/249	2012/0325335 A1 *	12/2012	Schalkx	F16L 37/2445	
9,623,594 B2 *	4/2017	French	F16L 21/03				137/315.01	
D806,833 S *	1/2018	Pearson	D23/249	2014/0327238 A1 *	11/2014	Bowman	F16L 21/08	
D813,355 S *	3/2018	Weatherby	D23/259				285/112	
D815,516 S *	4/2018	Karmarkar	D8/382	2014/0338773 A1 *	11/2014	French	F16L 37/1225	
D816,811 S *	5/2018	Dagdelen	D23/259				138/109	
D823,443 S *	7/2018	Bancroft	D23/262	2015/0060577 A1 *	3/2015	Kosovich	B05B 13/0627	
D830,522 S *	10/2018	Di Liberto	D23/259				239/587.1	
D833,581 S *	11/2018	Atwell	D23/259	2015/0176728 A1 *	6/2015	Bowman	F16L 21/065	
D835,756 S *	12/2018	Auxter	D23/249				285/309	
D836,755 S *	12/2018	Dale	D23/259	2015/0353340 A1 *	12/2015	Gammon	B64D 37/00	
D844,113 S *	3/2019	Auxter	D23/249				141/1	
D847,309 S *	4/2019	Sugatani	D23/259	2017/0328500 A1 *	11/2017	Bowman	F16L 17/04	
D849,890 S *	5/2019	Tempel	D23/233	2017/0328505 A1 *	11/2017	Sith	F16L 37/0915	
D851,220 S *	6/2019	Thompson	D23/259	2017/0334705 A1 *	11/2017	Murugo Perez	B67D 7/06	
D851,738 S *	6/2019	Ghorbani	D23/259	2018/0156362 A1 *	6/2018	Takeda	B25B 27/10	
				2018/0163905 A1 *	6/2018	Ohnemus	F16L 21/005	
				2018/0209567 A1 *	7/2018	Brandt	F16L 17/04	
				2018/0304179 A1 *	10/2018	Auxter	B01D 27/06	
				2018/0326449 A1 *	11/2018	Dale	B05C 17/00513	

* cited by examiner

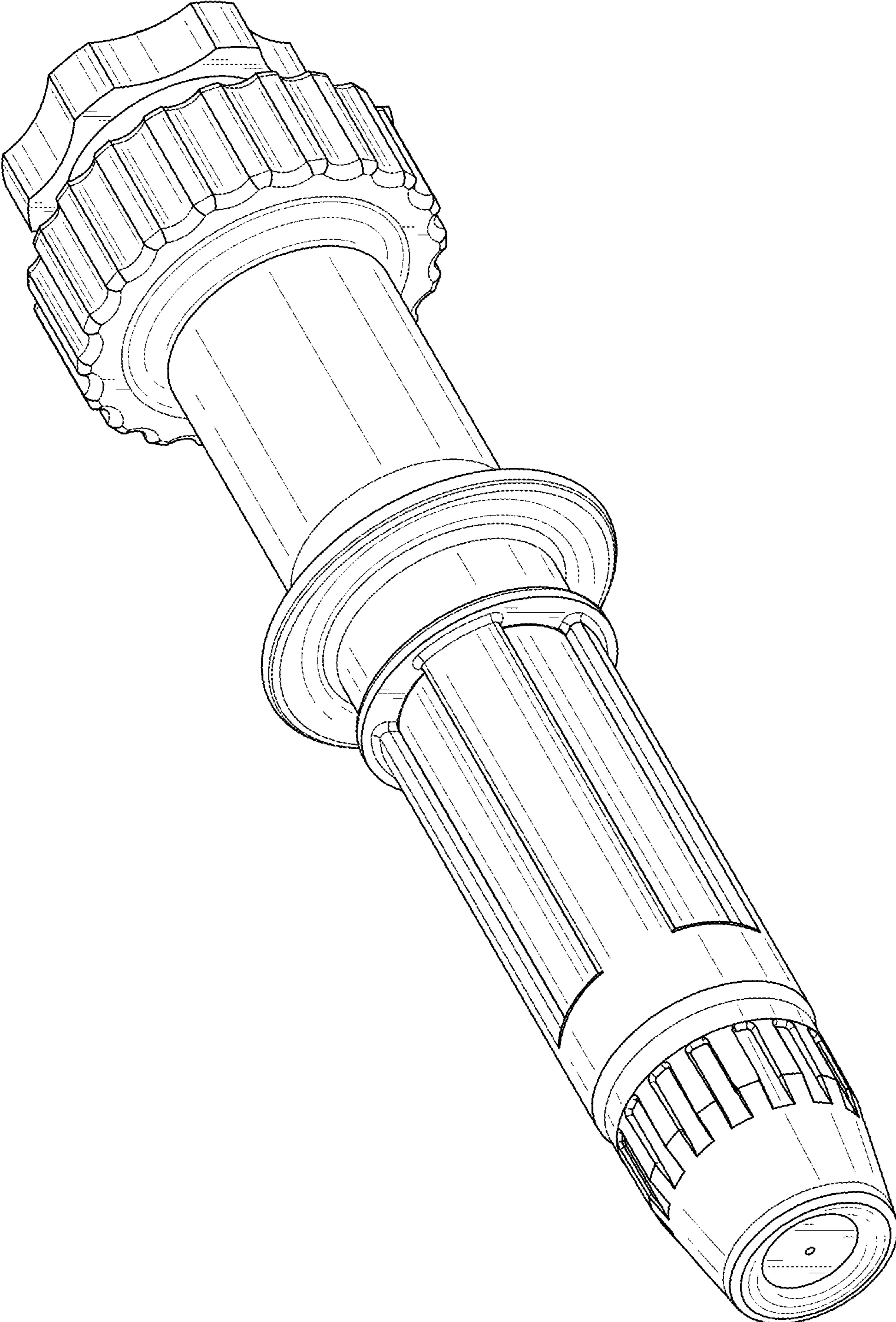


FIG. 1

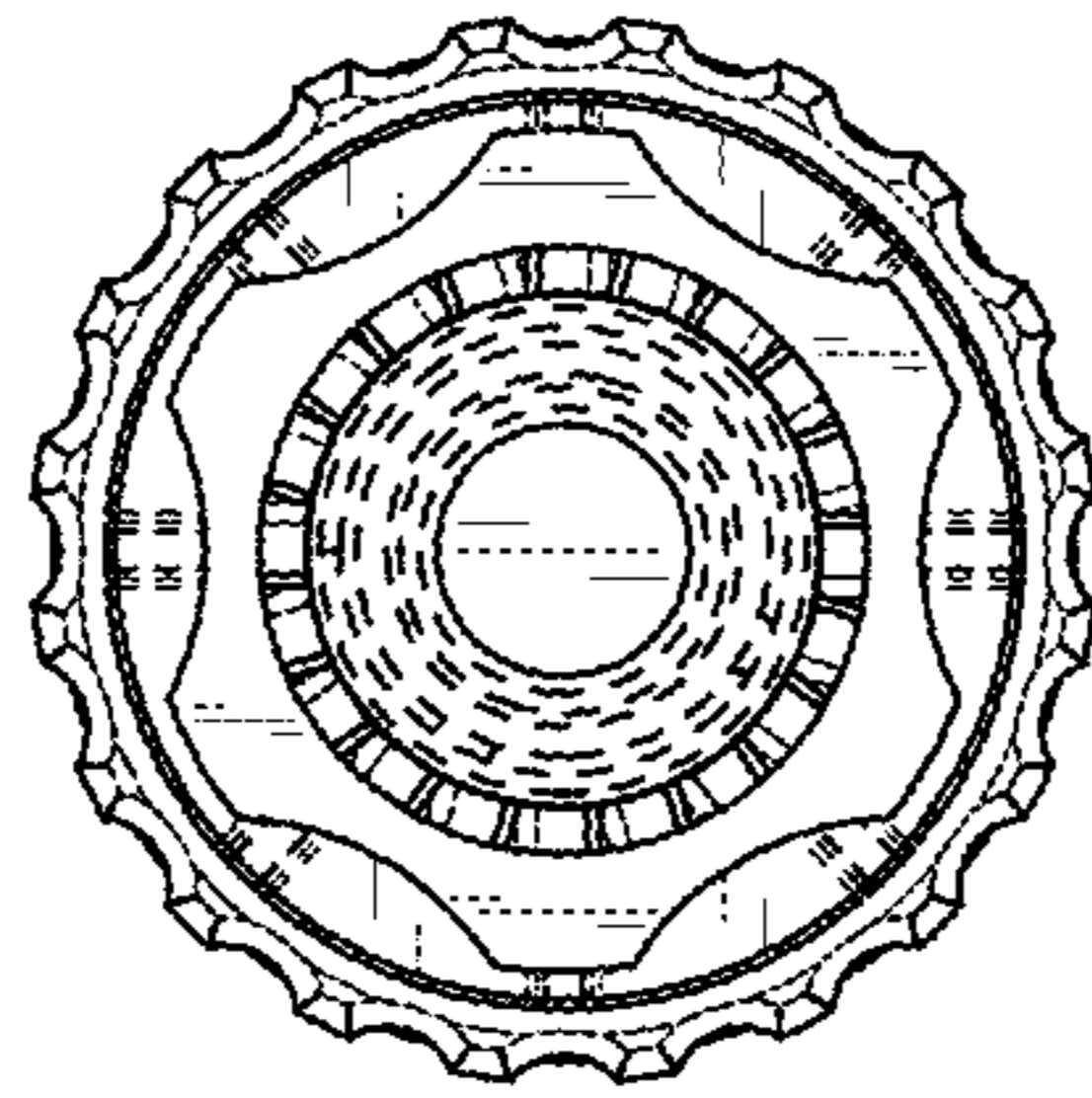


FIG. 3

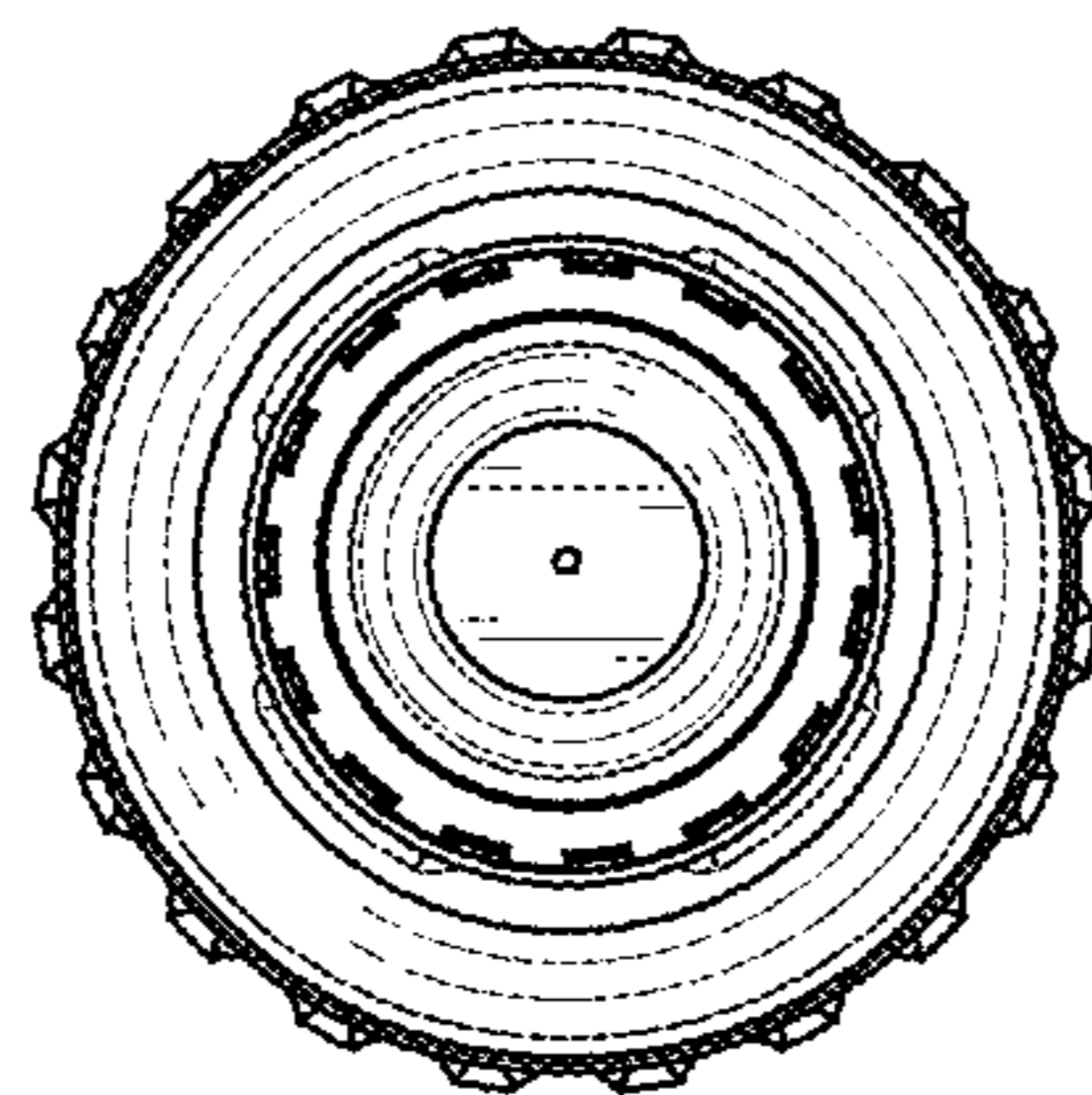


FIG. 2

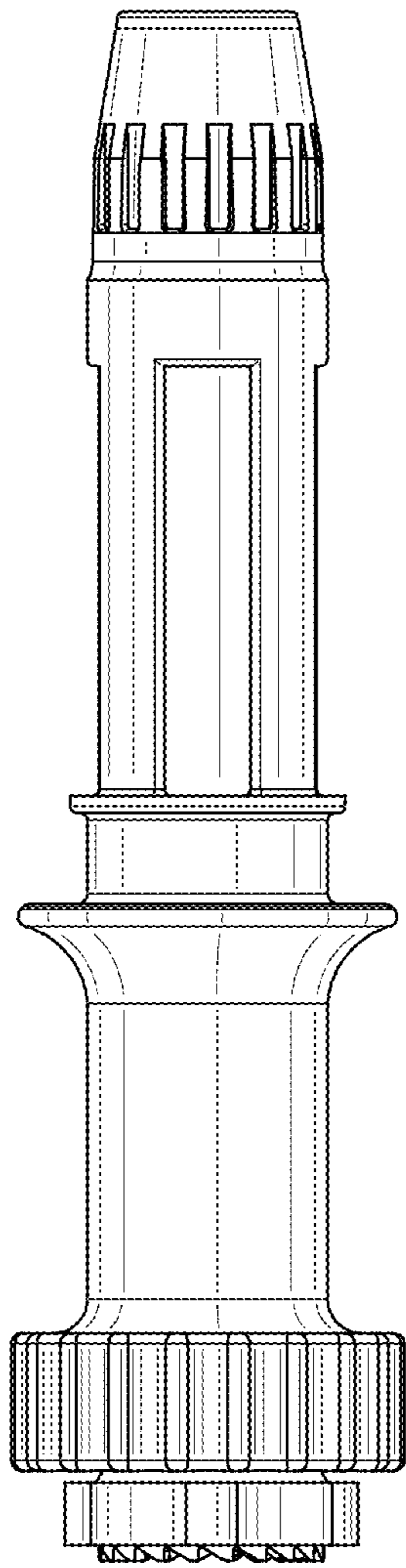


FIG. 4

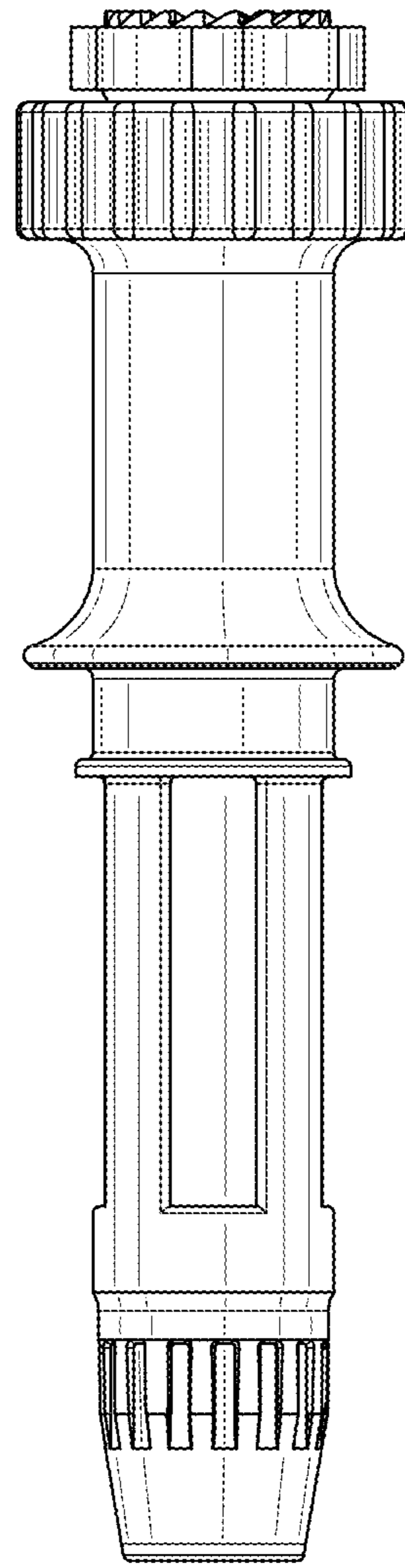


FIG. 5

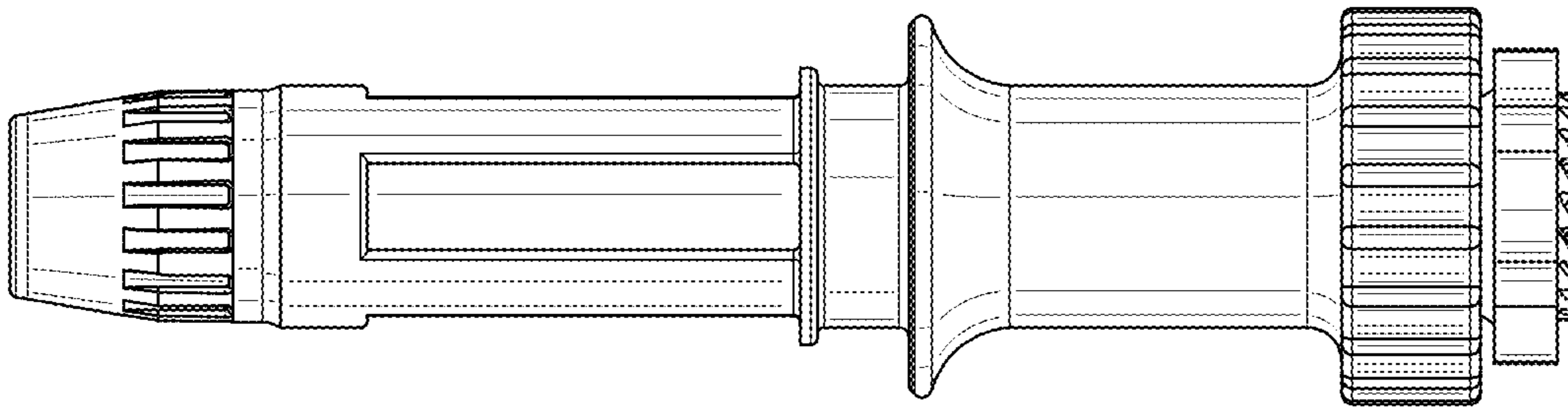


FIG. 7

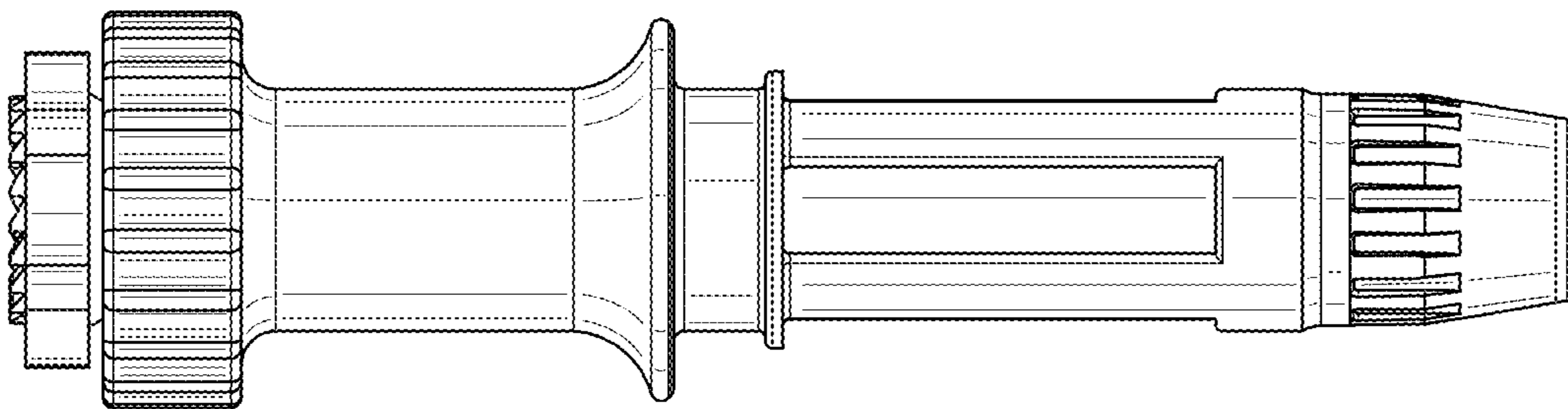


FIG. 6