



US00D911487S

(12) **United States Design Patent**
Qiang

(10) **Patent No.:** **US D911,487 S**

(45) **Date of Patent:** **** Feb. 23, 2021**

(54) **WATER FILTER CARTRIDGE**

(71) Applicant: **Ningbo Pureza Technology, LLC,**
Ningbo (CN)

(72) Inventor: **Lu Qiang,** Zhejiang (CN)

(73) Assignee: **Ningbo Pureza Technology, LLC**

(**) Term: **15 Years**

(21) Appl. No.: **29/670,825**

(22) Filed: **Nov. 20, 2018**

(51) **LOC (13) Cl.** **23-01**

(52) **U.S. Cl.**
USPC **D23/209**

(58) **Field of Classification Search**

USPC D23/202, 205, 207, 259, 260, 262

CPC B01D 2201/29; B01D 2201/30; B01D

2201/301; B01D 2201/302; B01D

2201/306; B01D 2201/309; B01D 35/30;

C02F 1/002; C02F 1/003

See application file for complete search history.

(56) **References Cited**

U.S. PATENT DOCUMENTS

2,165,163 A 7/1939 Waters
2,170,010 A 8/1939 Conner
D172,354 S 6/1954 Line
4,615,812 A 10/1986 Darling

(Continued)

FOREIGN PATENT DOCUMENTS

KR 300819596 S 10/2015

Primary Examiner — Sheryl Lane

Assistant Examiner — Calvin E Vansant

(74) *Attorney, Agent, or Firm* — Fish IP Law, LLP

(57) **CLAIM**

The ornamental design of a water filter cartridge, as shown and described.

DESCRIPTION

FIG. 1 is a top, front, right side perspective view of a water filter cartridge showing my new design;

FIG. 2 is a closeup depiction of the left portion of FIG. 1;

FIG. 3 is a front elevation view thereof;

FIG. 4 is a back elevation view thereof;

FIG. 5 is a right side elevation view thereof;

FIG. 6 is a left side elevation view thereof;

FIG. 7 is a top, back, left side perspective view thereof;

FIG. 8 is a closeup depiction of the right portion of FIG. 7;

FIG. 9 is a top, back, right side perspective view thereof;

FIG. 10 is a closeup depiction of the right portion of FIG. 9;

FIG. 11 is a top, front, left side perspective view thereof;

FIG. 12 is a closeup depiction of the right portion of FIG. 11;

FIG. 13 is a bottom, back, left side perspective view thereof;

FIG. 14 is a closeup depiction of the right portion of FIG. 13;

FIG. 15 is a bottom, back, right side perspective view thereof;

FIG. 16 is a closeup depiction of the right portion of FIG. 15;

FIG. 17 is a bottom, front, left side perspective view thereof;

FIG. 18 is a closeup depiction of the left portion of FIG. 17;

FIG. 19 is a bottom, front, right side perspective view thereof;

FIG. 20 is a closeup depiction of the left portion of FIG. 19;

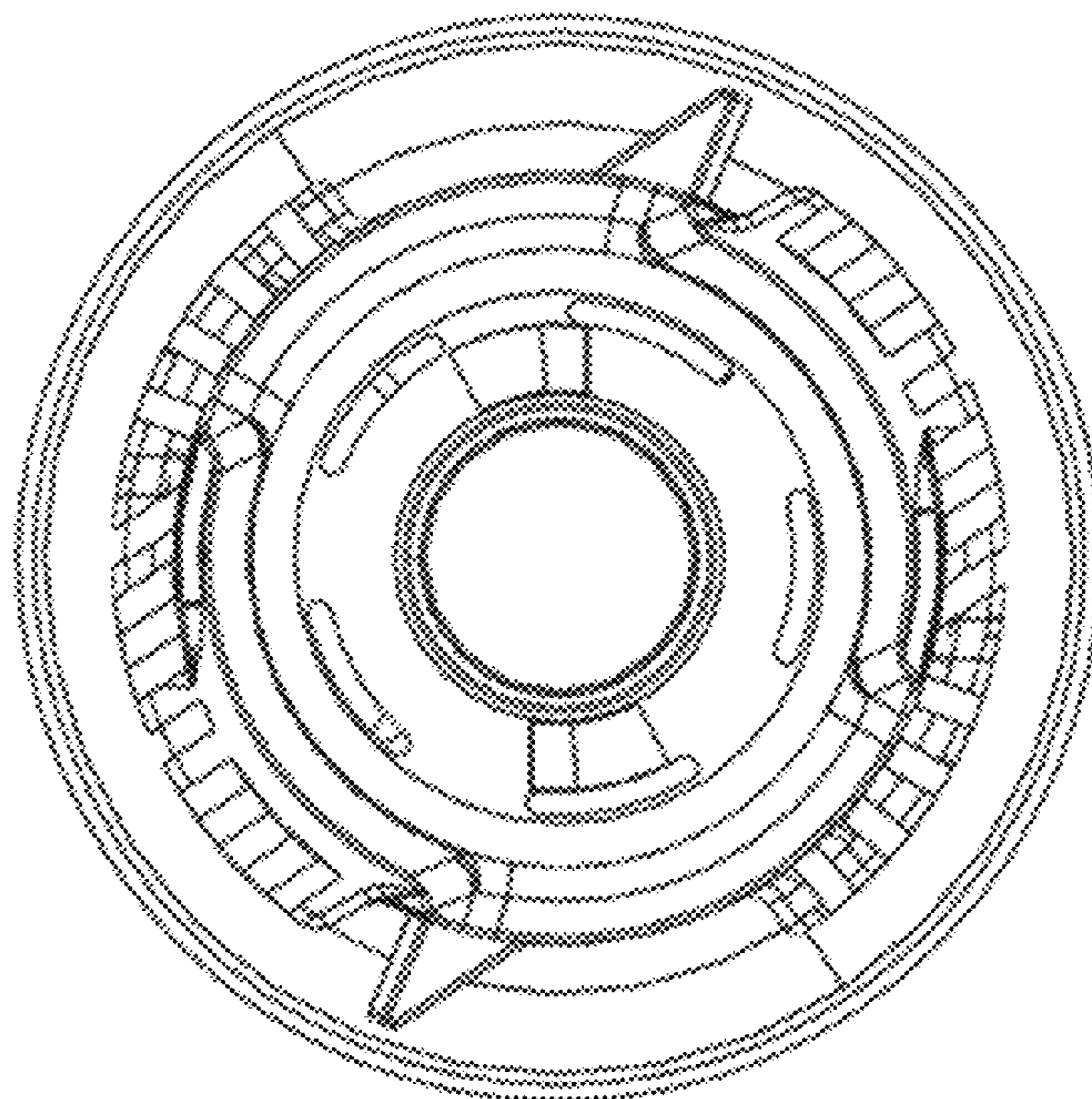
FIG. 21 is a bottom perspective view of the left side thereof;

and,

FIG. 22 is a top perspective view of the left side thereof.

The broken line showing of various features of the water filter cartridge form no part of the claimed design.

1 Claim, 20 Drawing Sheets



(56)

References Cited

U.S. PATENT DOCUMENTS

4,871,455	A	10/1989	Terhune	
D306,199	S	2/1990	Meissner	
5,035,798	A	7/1991	Stenger	
D365,632	S	12/1995	Blasdell et al.	
5,486,288	A	1/1996	Stanford	
D399,008	S	9/1998	Thomas	
6,120,685	A	9/2000	Carlson	
D472,299	S	2/2003	Fritze	
D476,718	S	7/2003	Ferrer Beltran	
7,000,782	B2	2/2006	Walton	
D541,371	S	4/2007	McKay	
D546,412	S	7/2007	Kennedy et al.	
D547,821	S	7/2007	Kennedy et al.	
D547,822	S	7/2007	Kennedy et al.	
D547,823	S	7/2007	Kennedy et al.	
D554,734	S	11/2007	Yamamoto	
8,177,976	B2	5/2012	Formica	
8,246,883	B2*	8/2012	Bassett	B01D 35/30 210/312
8,354,024	B2	1/2013	Ihle	
D679,779	S	4/2013	Reid	
8,916,044	B2	12/2014	Rapin	
D722,362	S	2/2015	Kluss et al.	
9,005,435	B2	4/2015	Takeda	
9,067,154	B1	6/2015	Branscomb	
D738,460	S	9/2015	Cook	
D748,226	S	1/2016	Aoki et al.	

D750,739	S	3/2016	Baird	
D752,707	S*	3/2016	Huda	D23/209
D753,788	S	4/2016	Huda et al.	
D760,868	S	7/2016	Lu	
D761,382	S	7/2016	Curtis et al.	
D761,383	S	7/2016	Curtis et al.	
D761,934	S*	7/2016	Branscomb	D23/209
D762,812	S	8/2016	Branscomb et al.	
D764,021	S	8/2016	Lu	
D764,626	S	8/2016	Lu	
D765,220	S	8/2016	Boudreau et al.	
D768,813	S	10/2016	Dong et al.	
D768,814	S	10/2016	Dong et al.	
D773,607	S	12/2016	Lu	
D773,608	S*	12/2016	Nelson	D23/209
D775,712	S	1/2017	Kim et al.	
D776,237	S	1/2017	Dong et al.	
D780,887	S	3/2017	Huda et al.	
D785,750	S*	5/2017	Huda	D23/209
D788,880	S	6/2017	Zou	
D806,830	S*	1/2018	An	D23/209
D807,988	S	1/2018	An et al.	
D810,859	S*	2/2018	Lu	D23/209
D820,947	S	6/2018	An et al.	
D826,374	S*	8/2018	Berducat	D23/209
D831,786	S*	10/2018	Zou	D23/209
D852,929	S*	7/2019	Nelson	D23/209
D857,158	S*	8/2019	Zou	B01D 35/30 D23/209

* cited by examiner

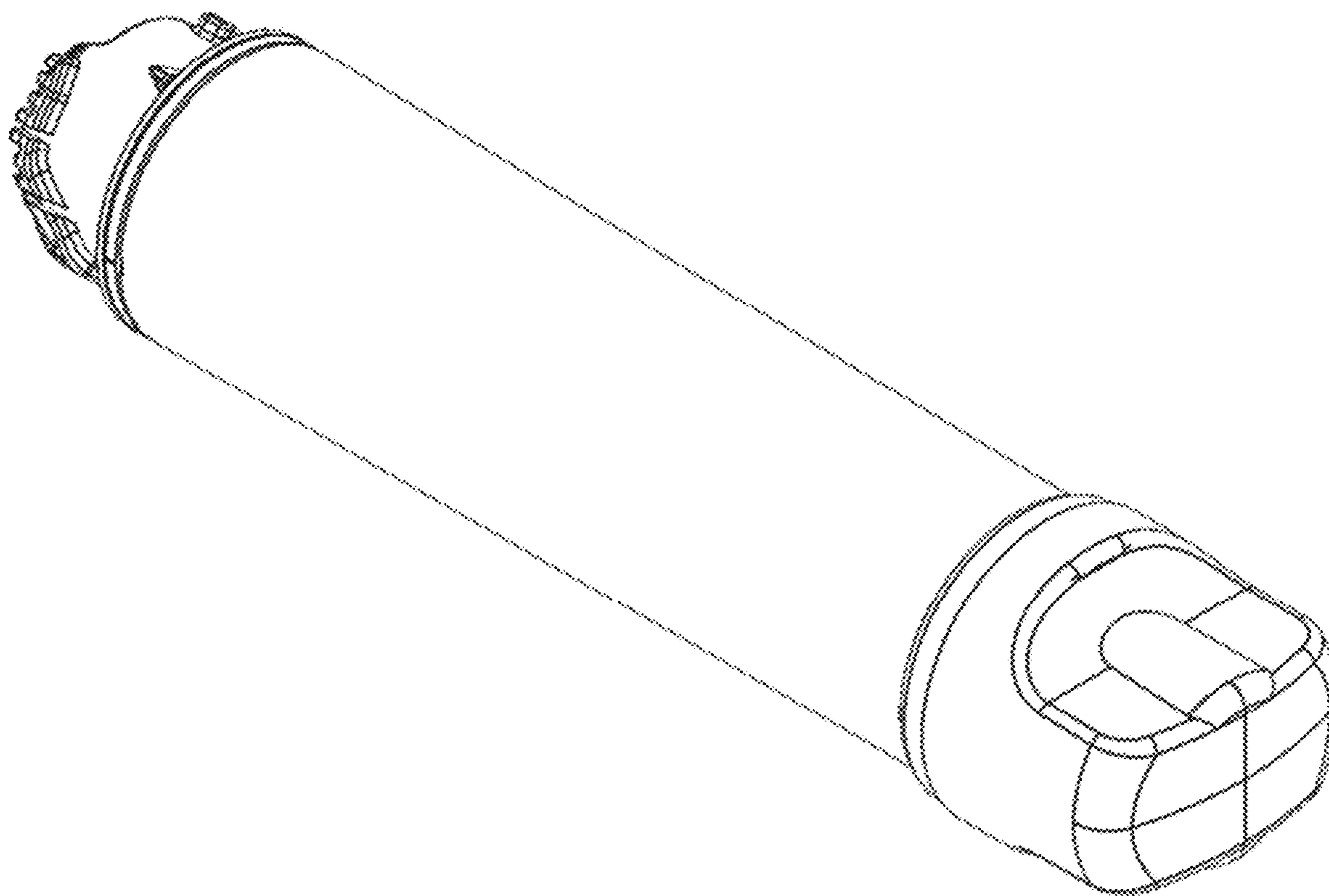


Figure 1

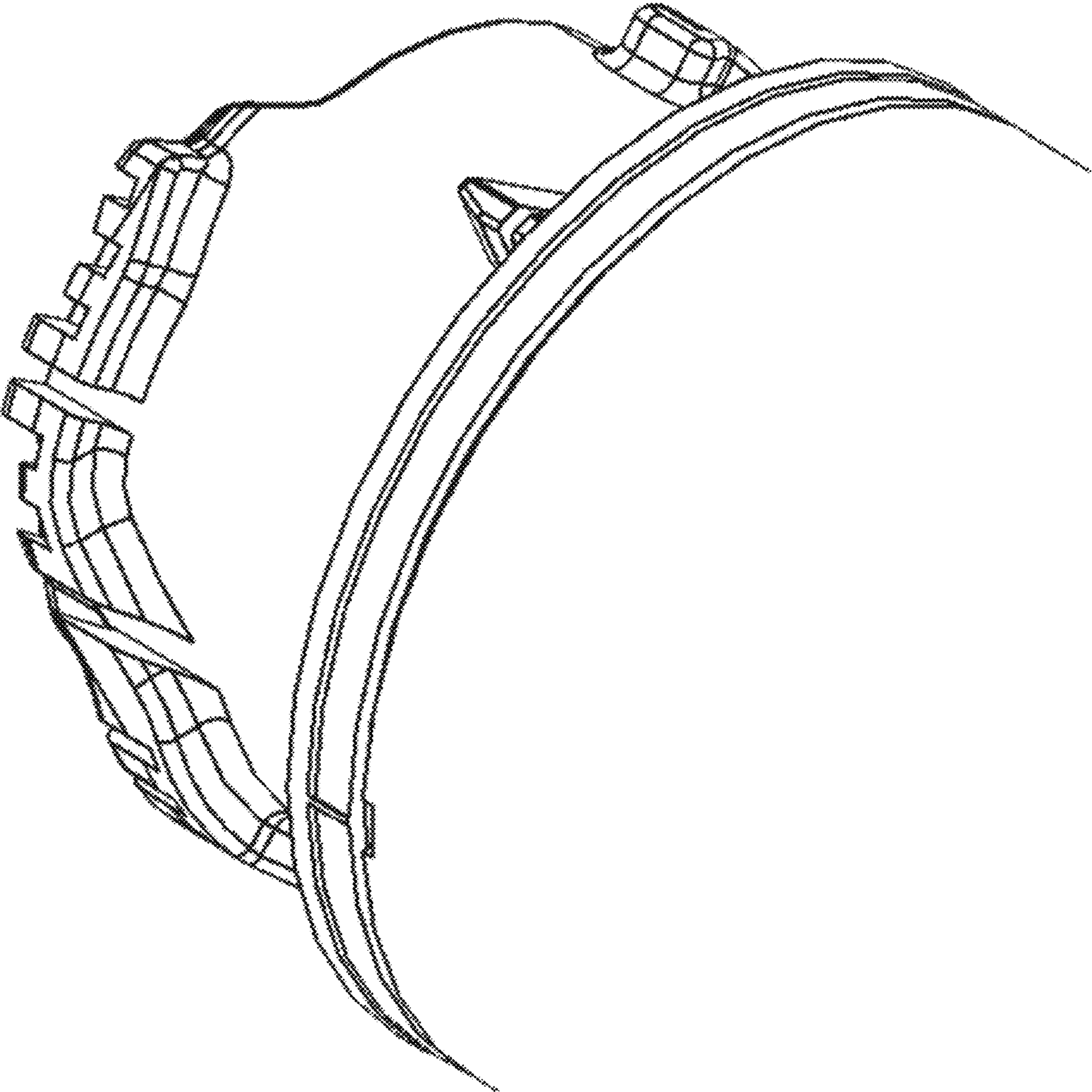


Figure 2

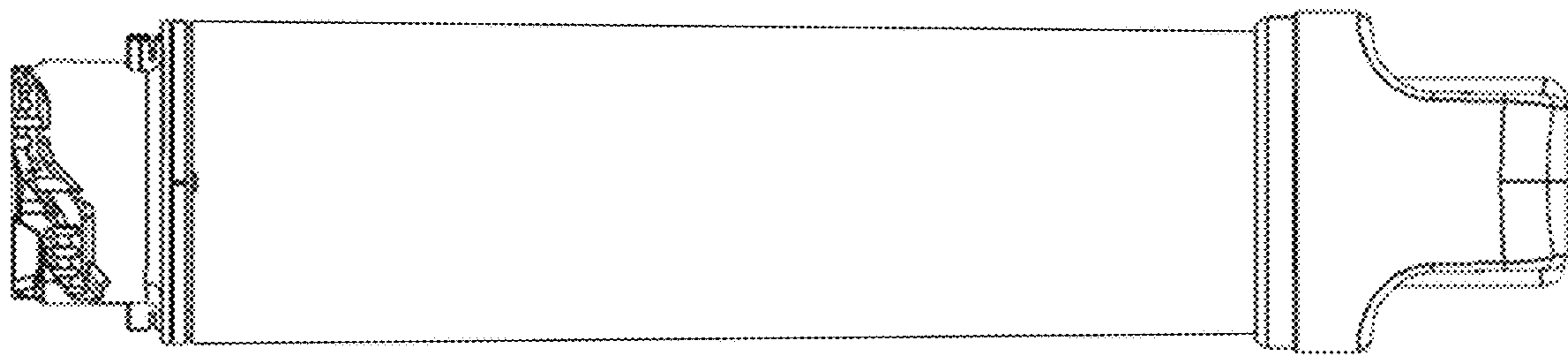


Figure 3

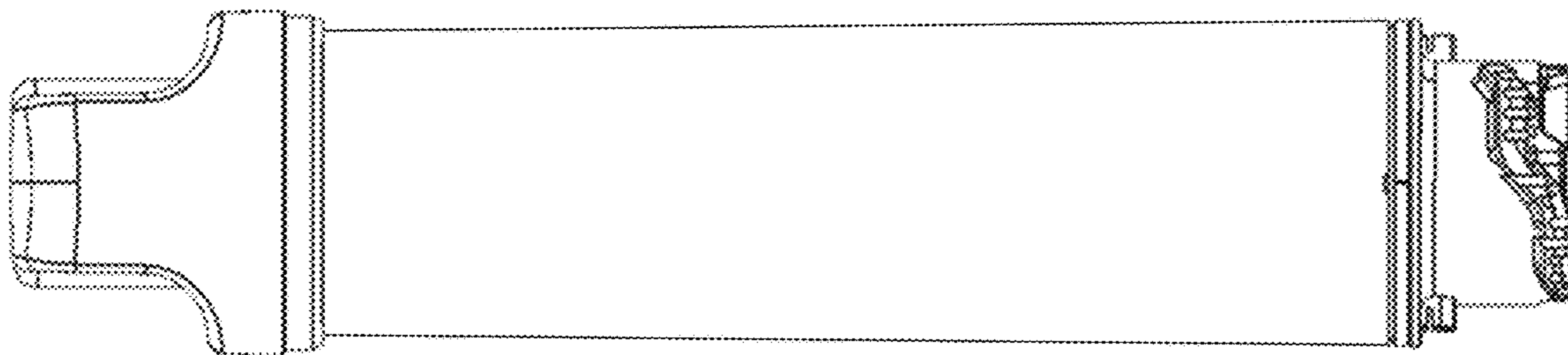


Figure 4

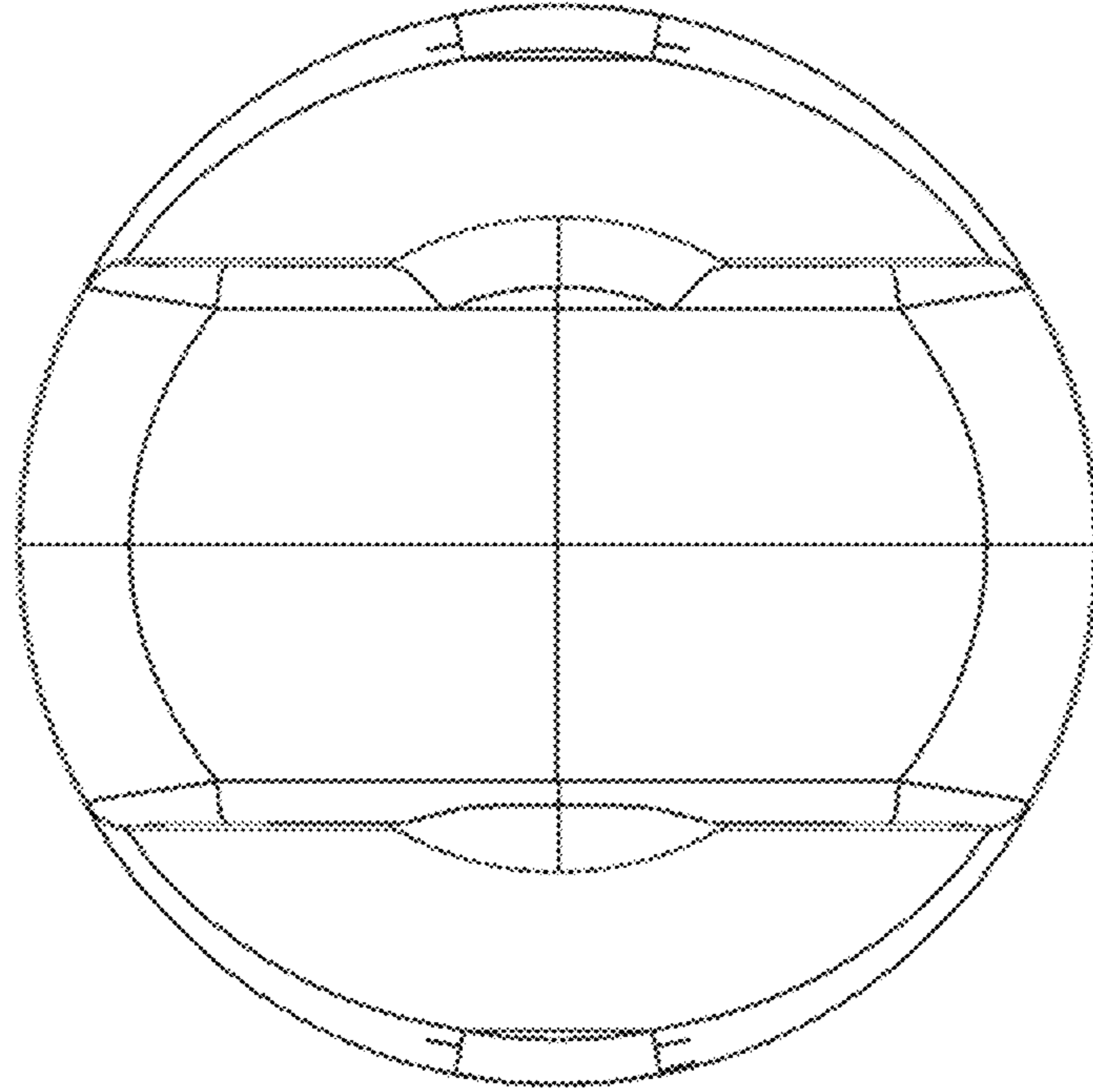


Figure 5

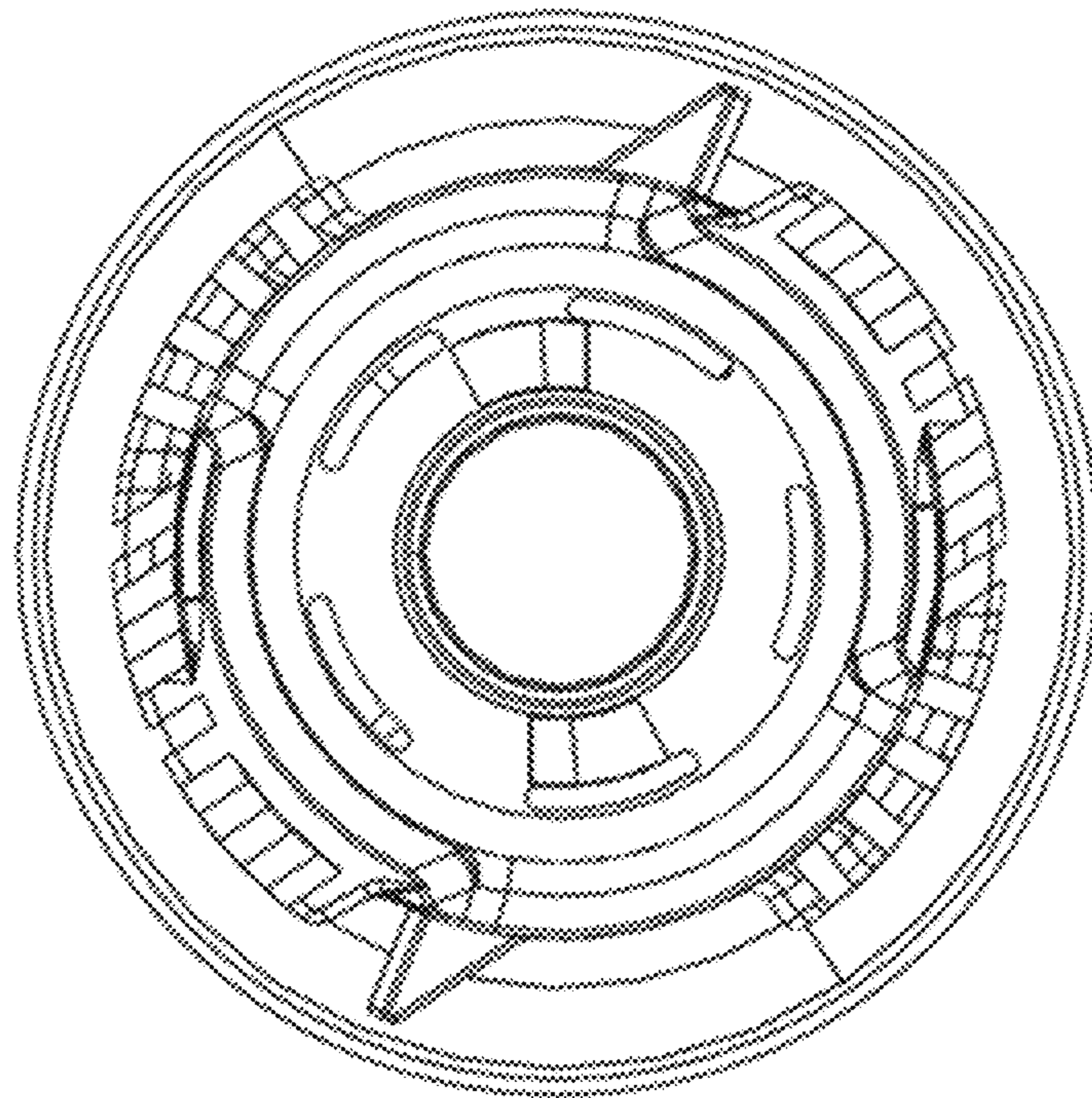


Figure 6

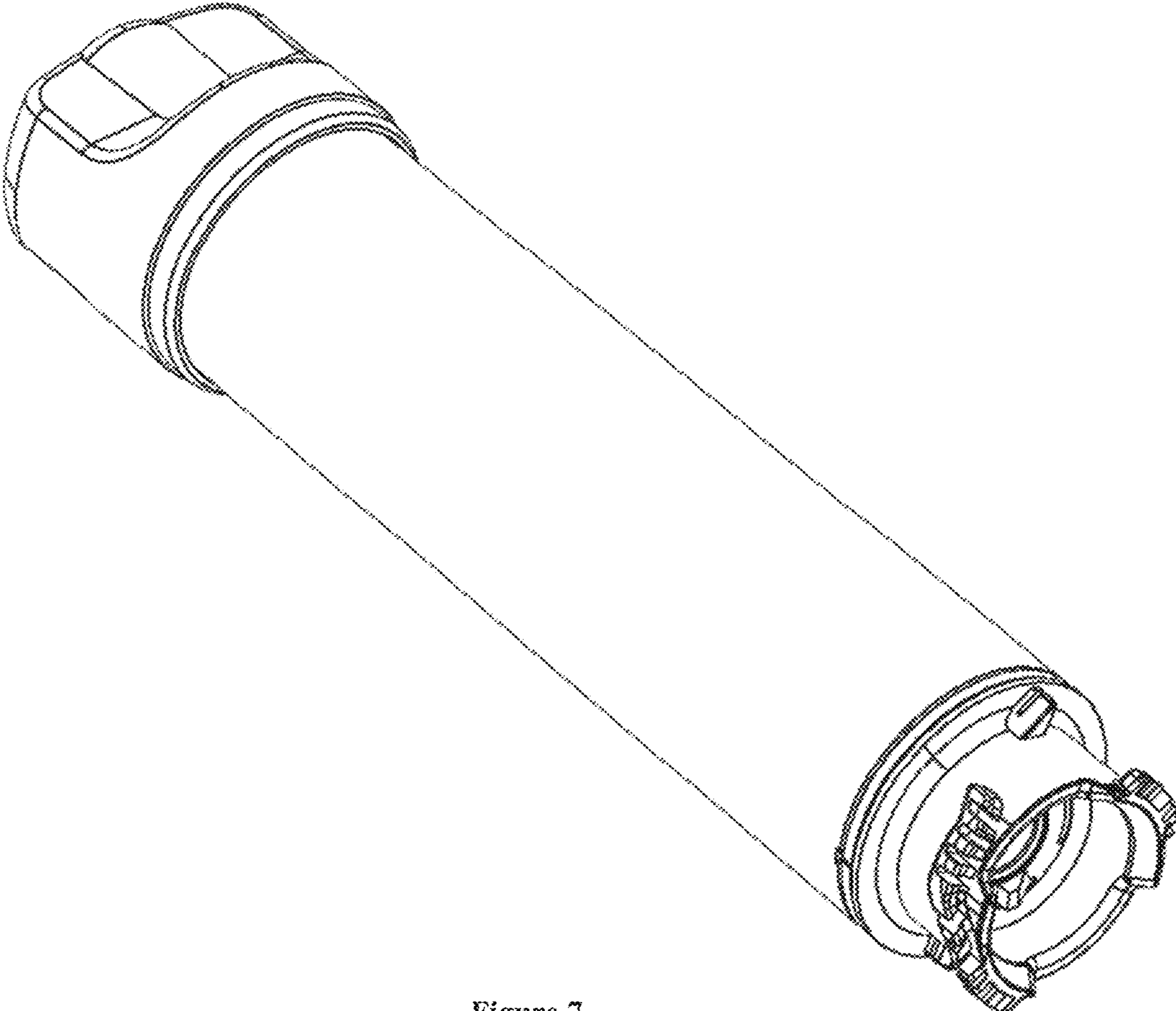


Figure 7

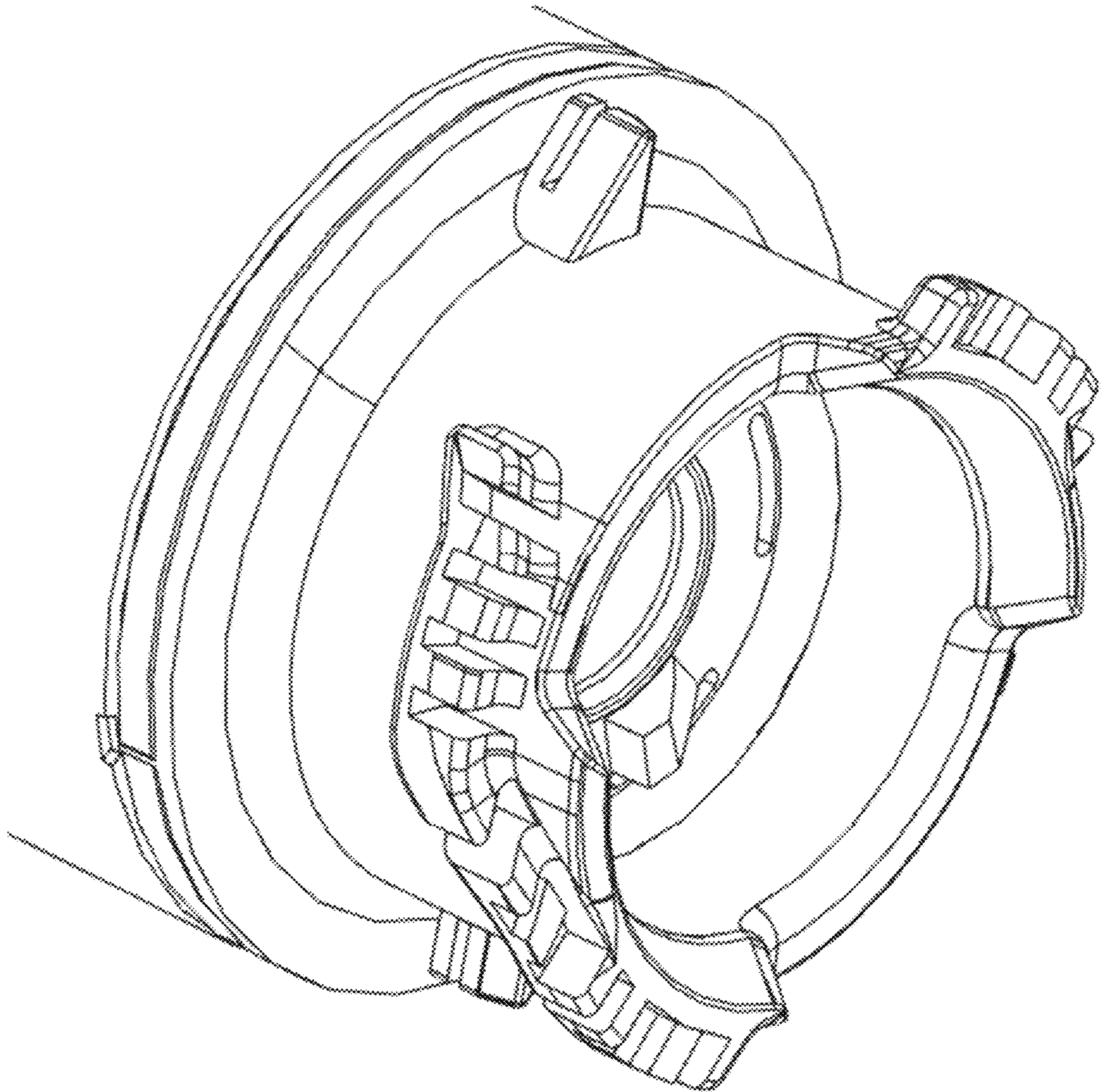


Figure 8

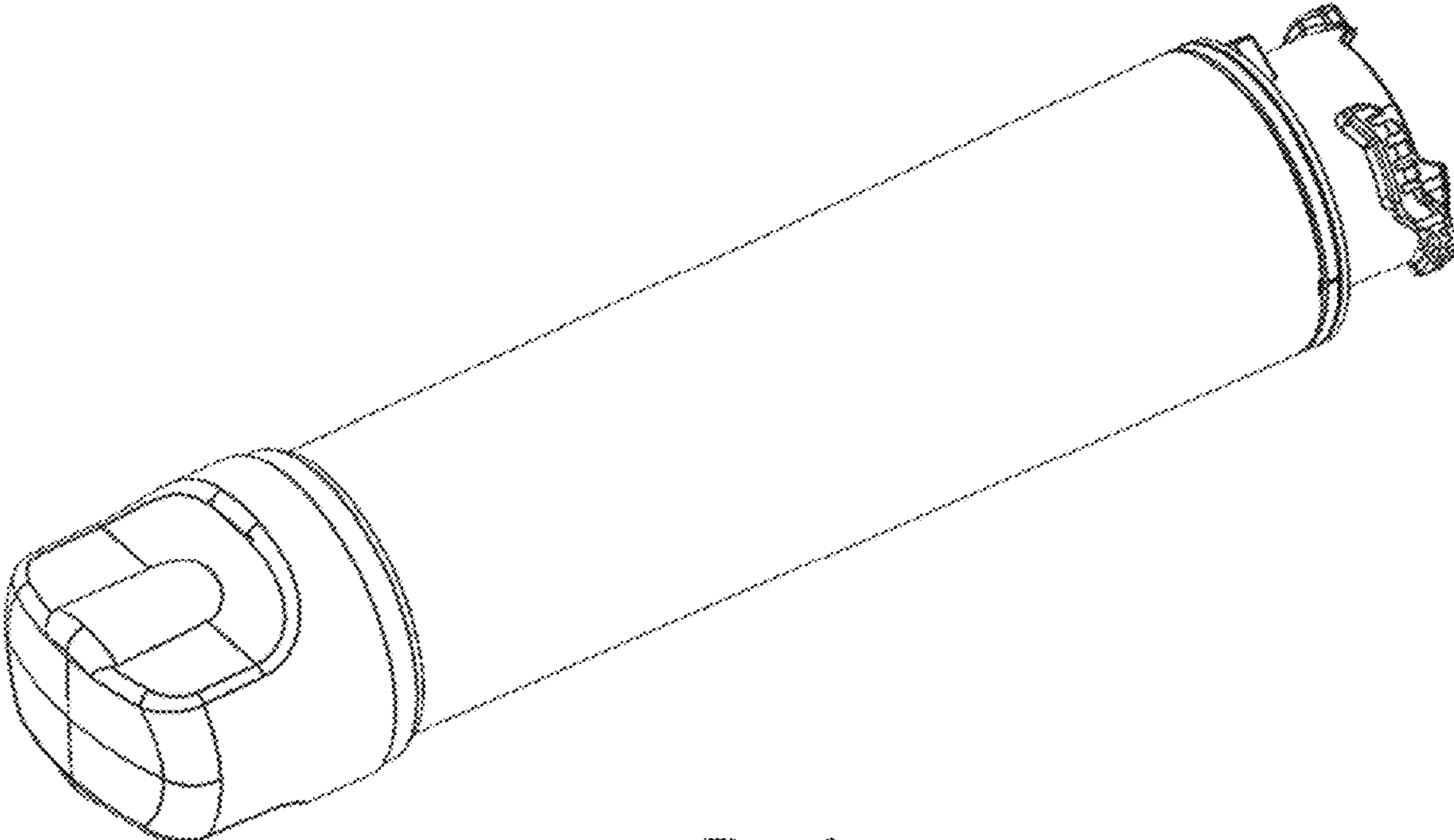


Figure 9

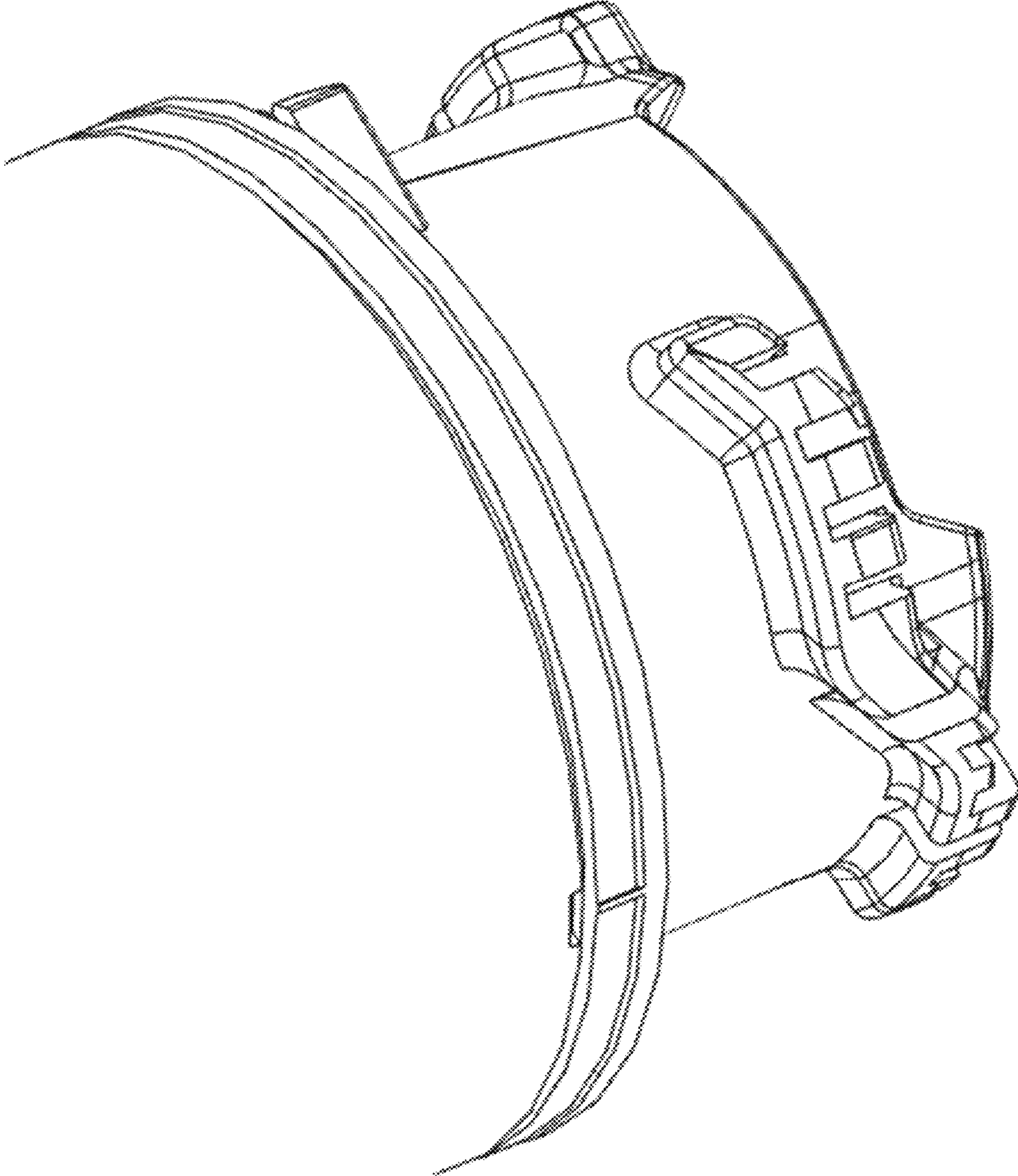


Figure 10

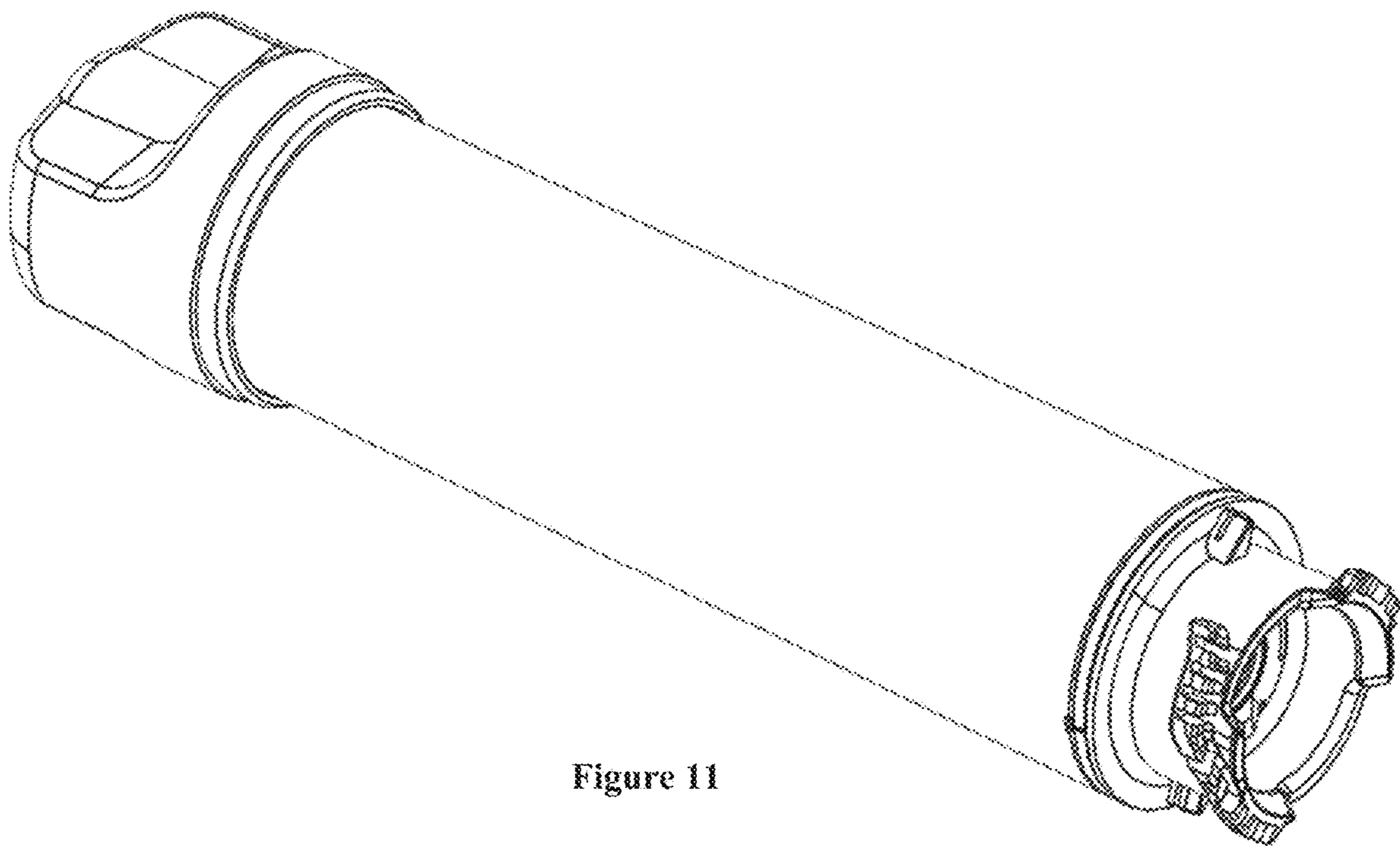


Figure 11

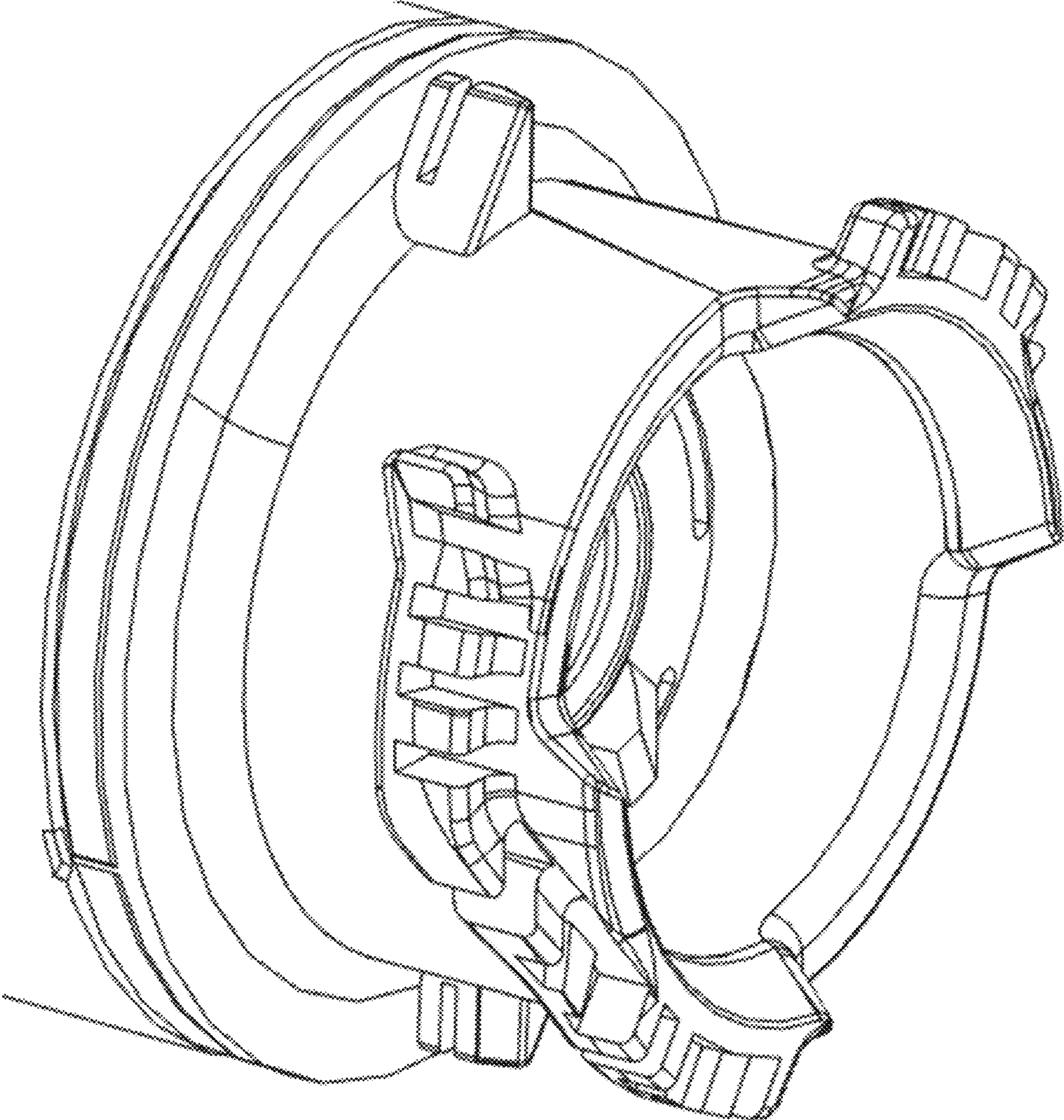


Figure 12

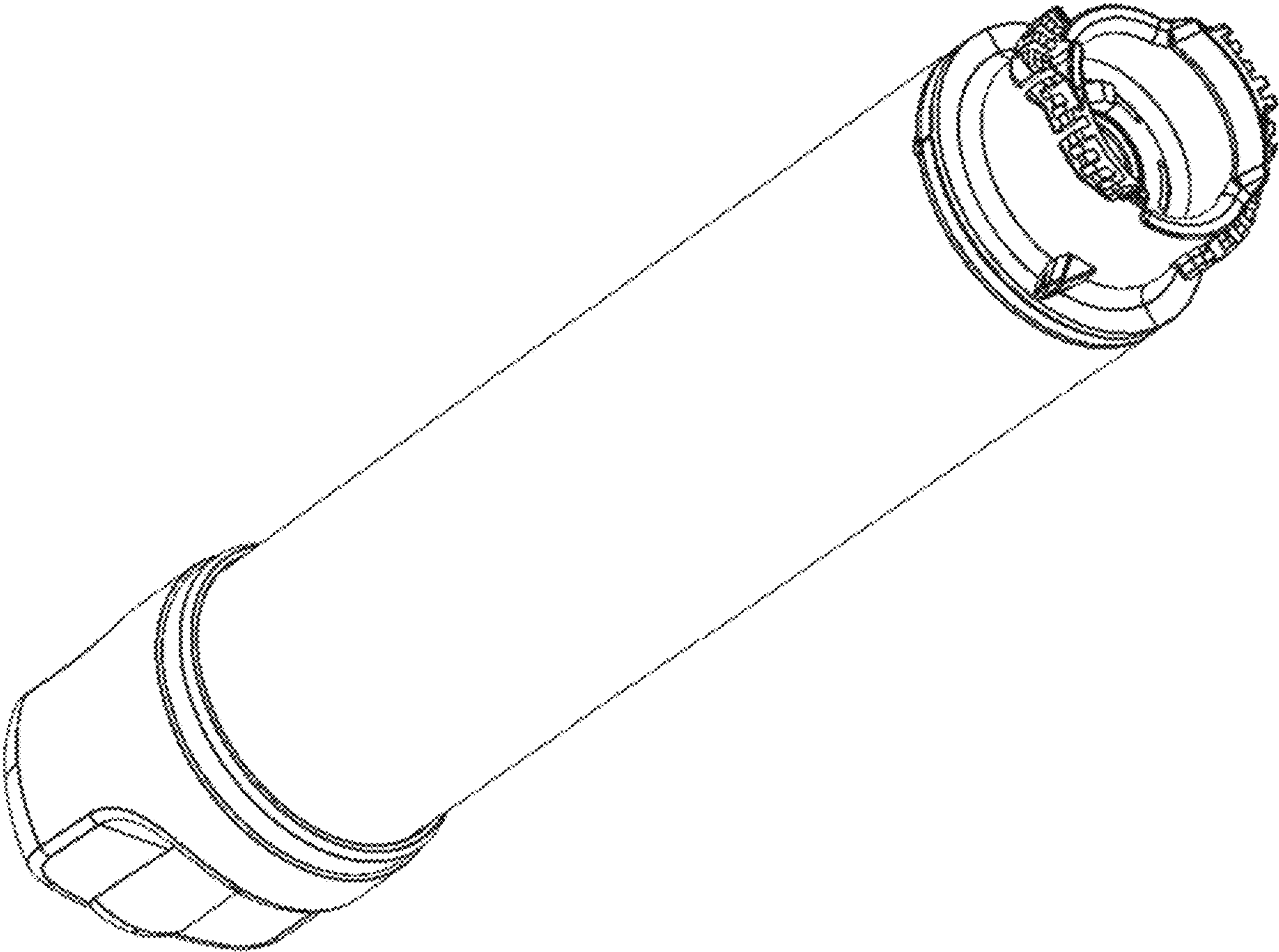


Figure 13

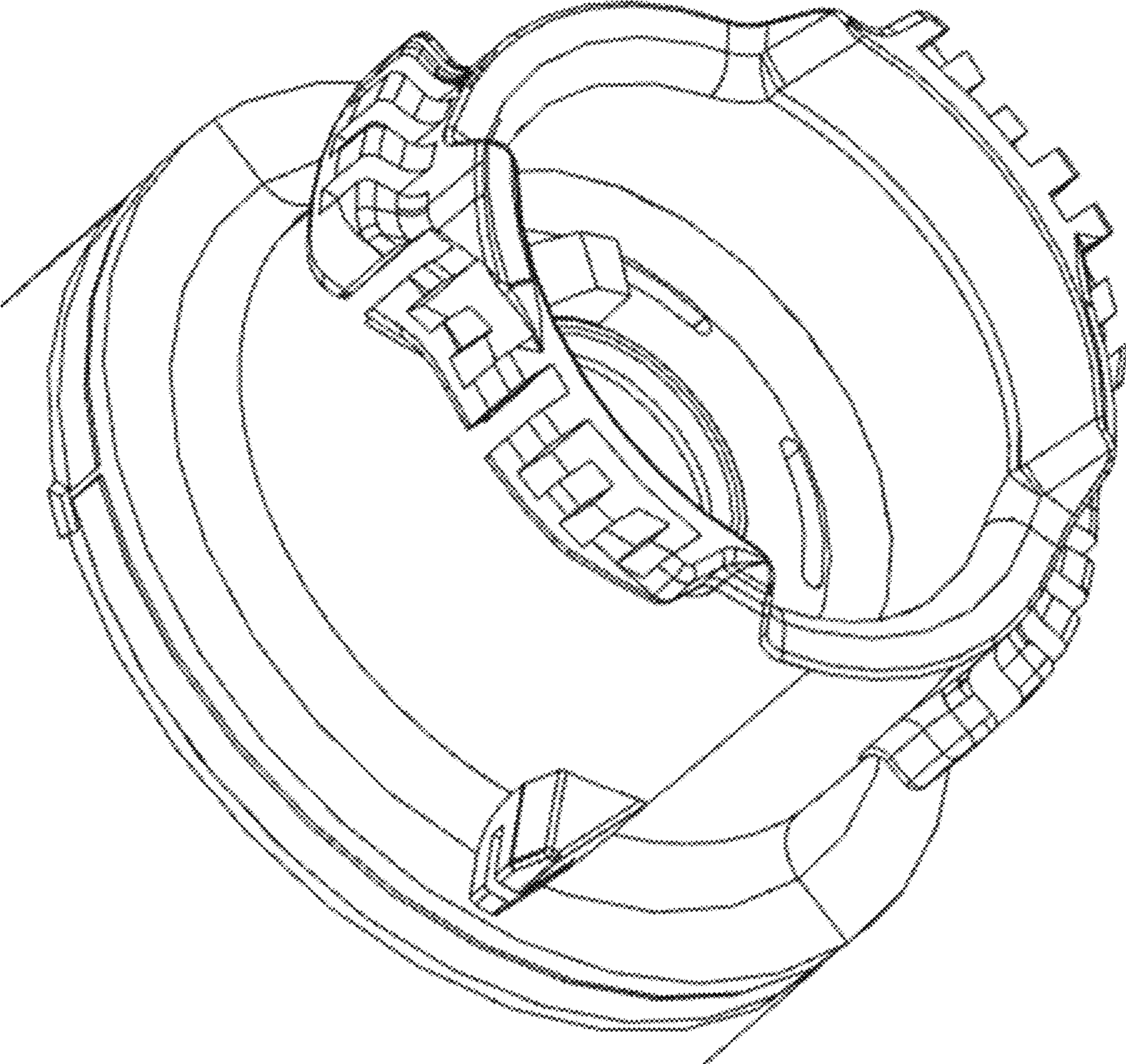


Figure 14

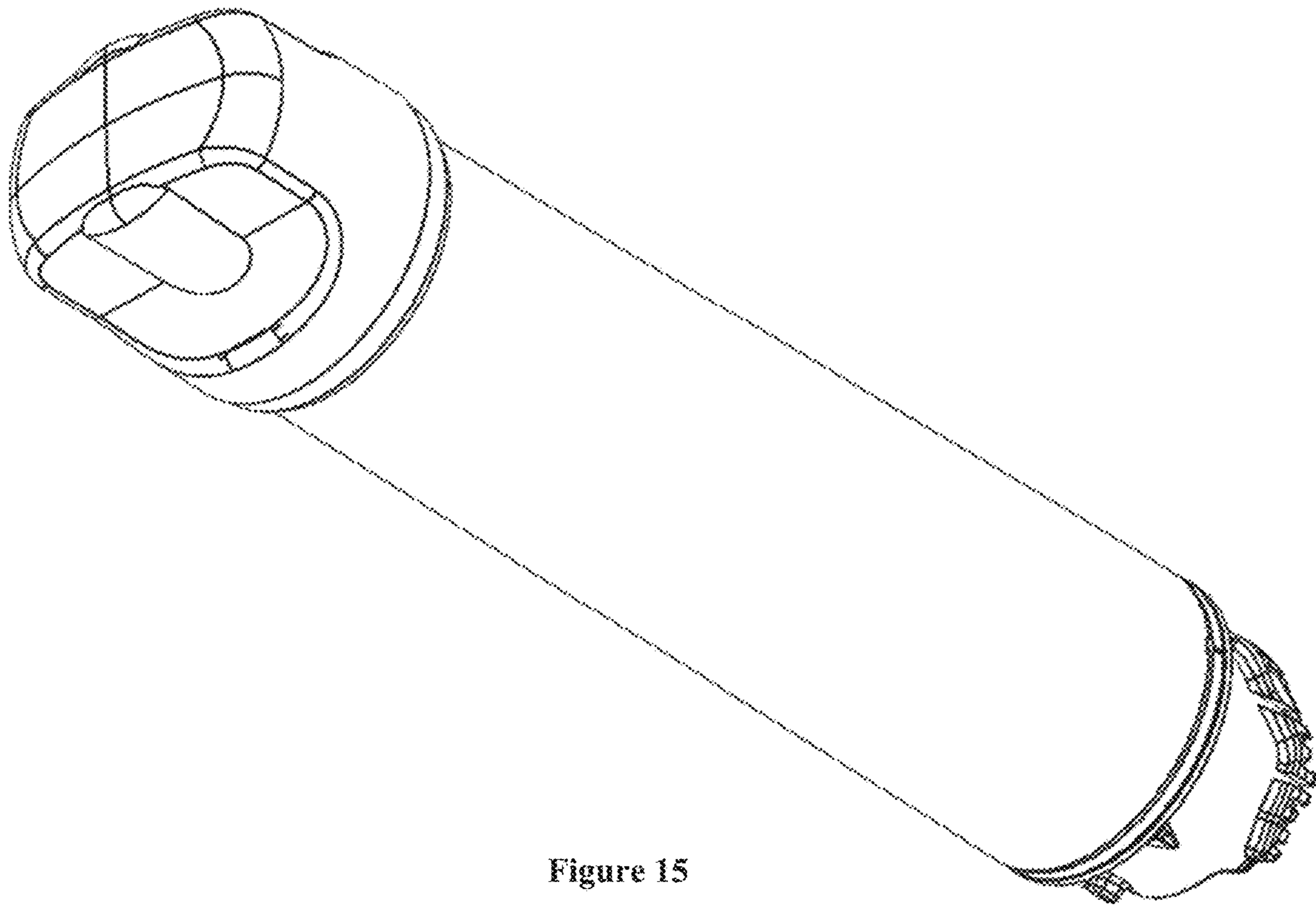


Figure 15

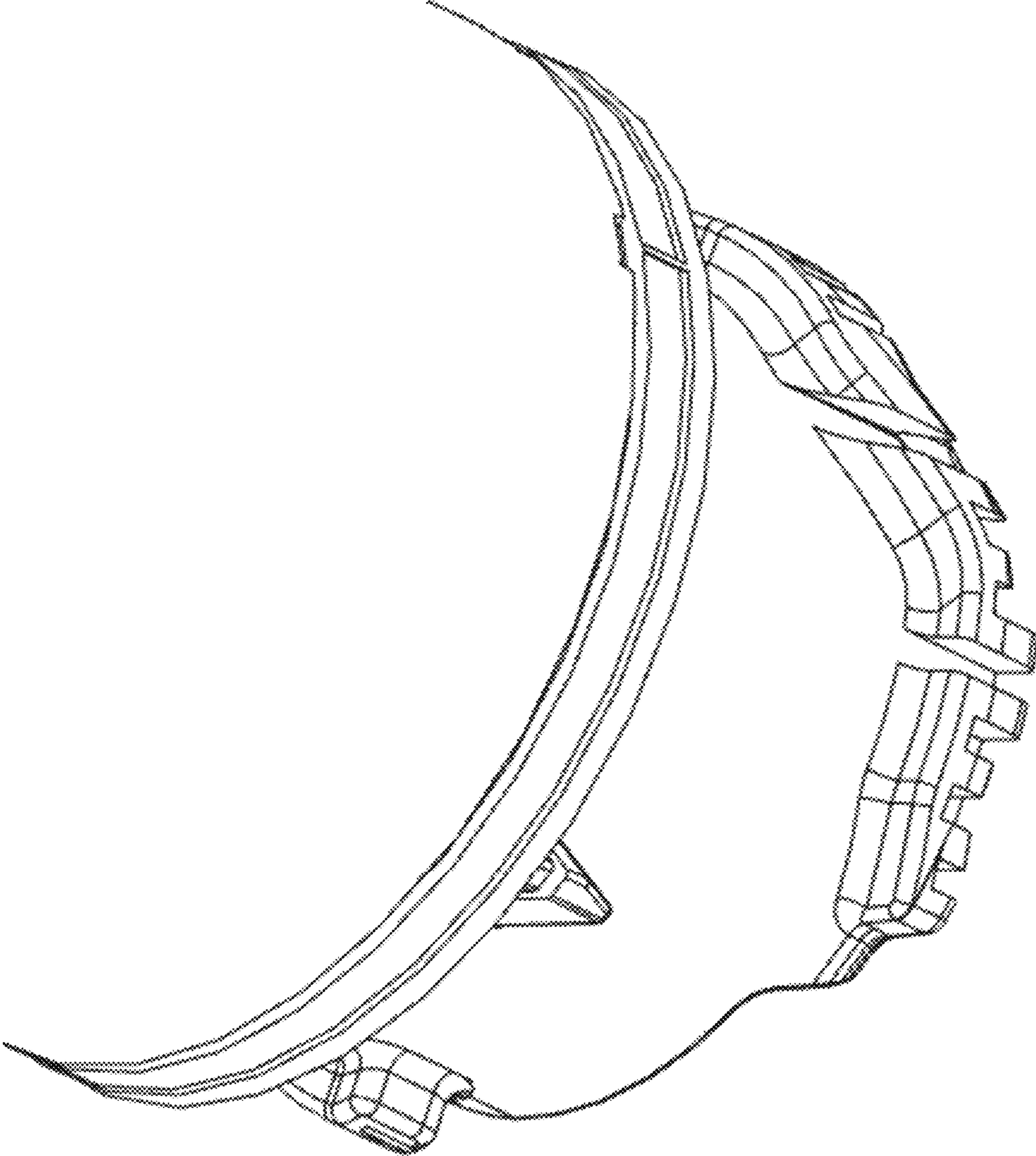


Figure 16

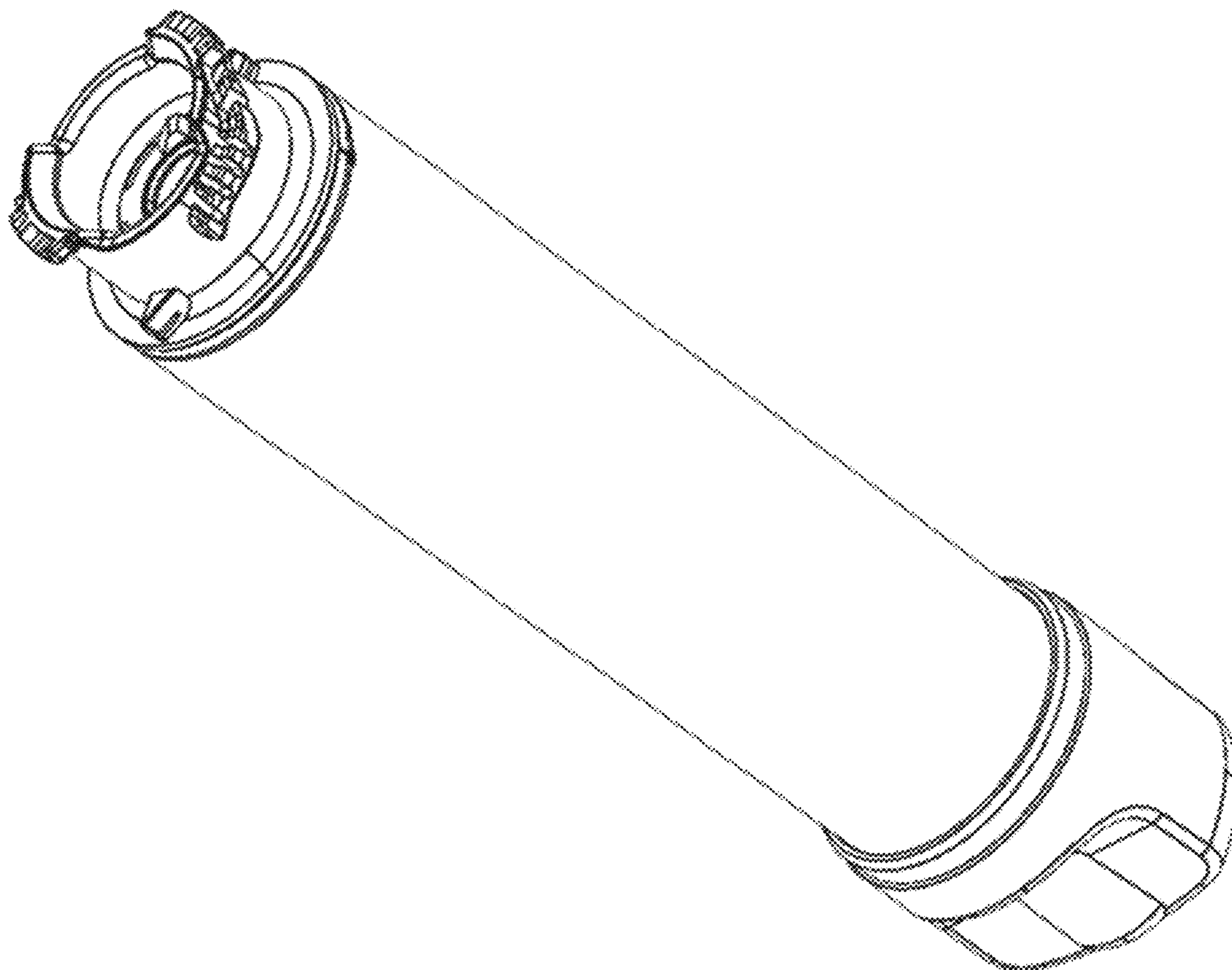


Figure 17

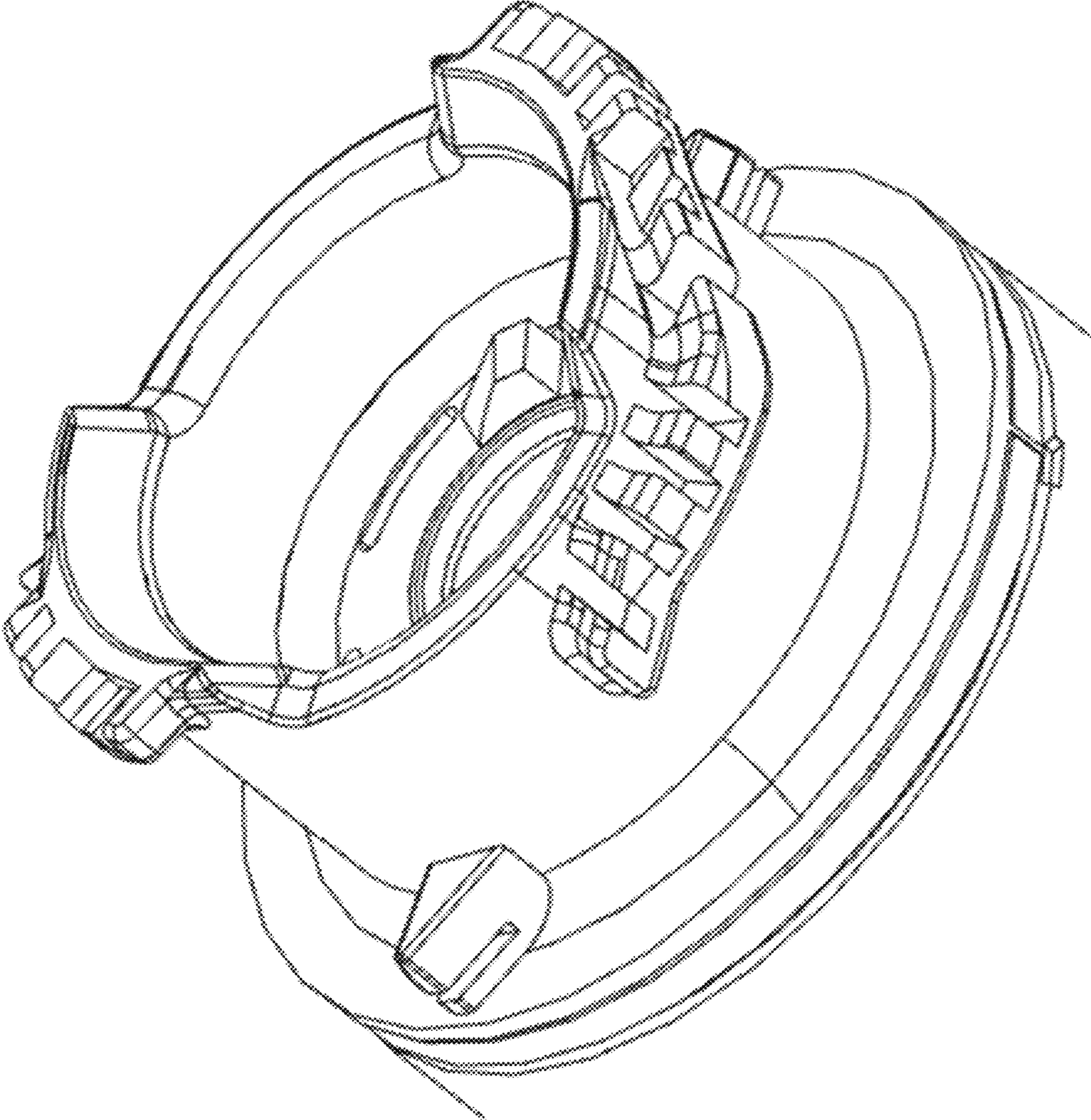


Figure 18

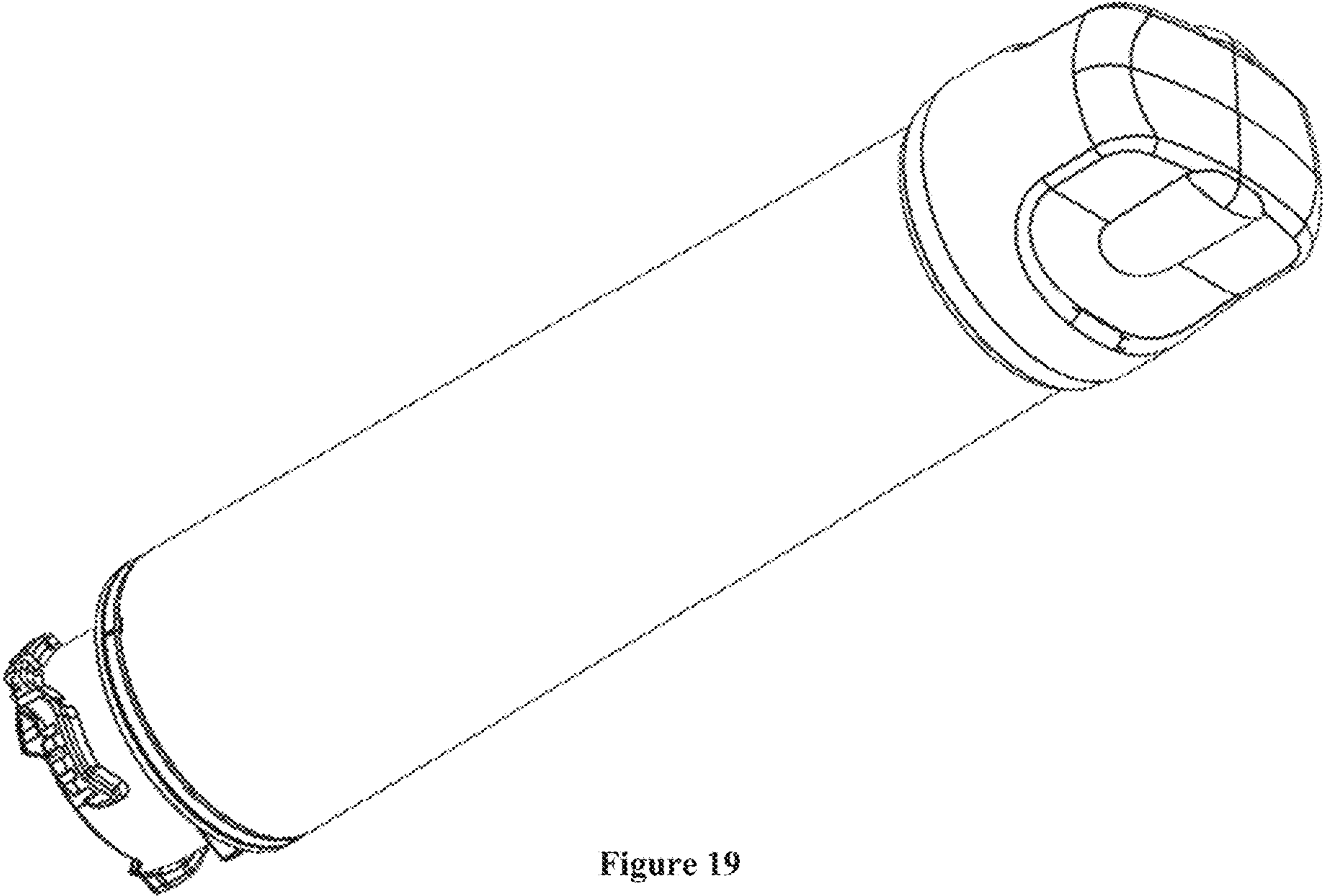


Figure 19

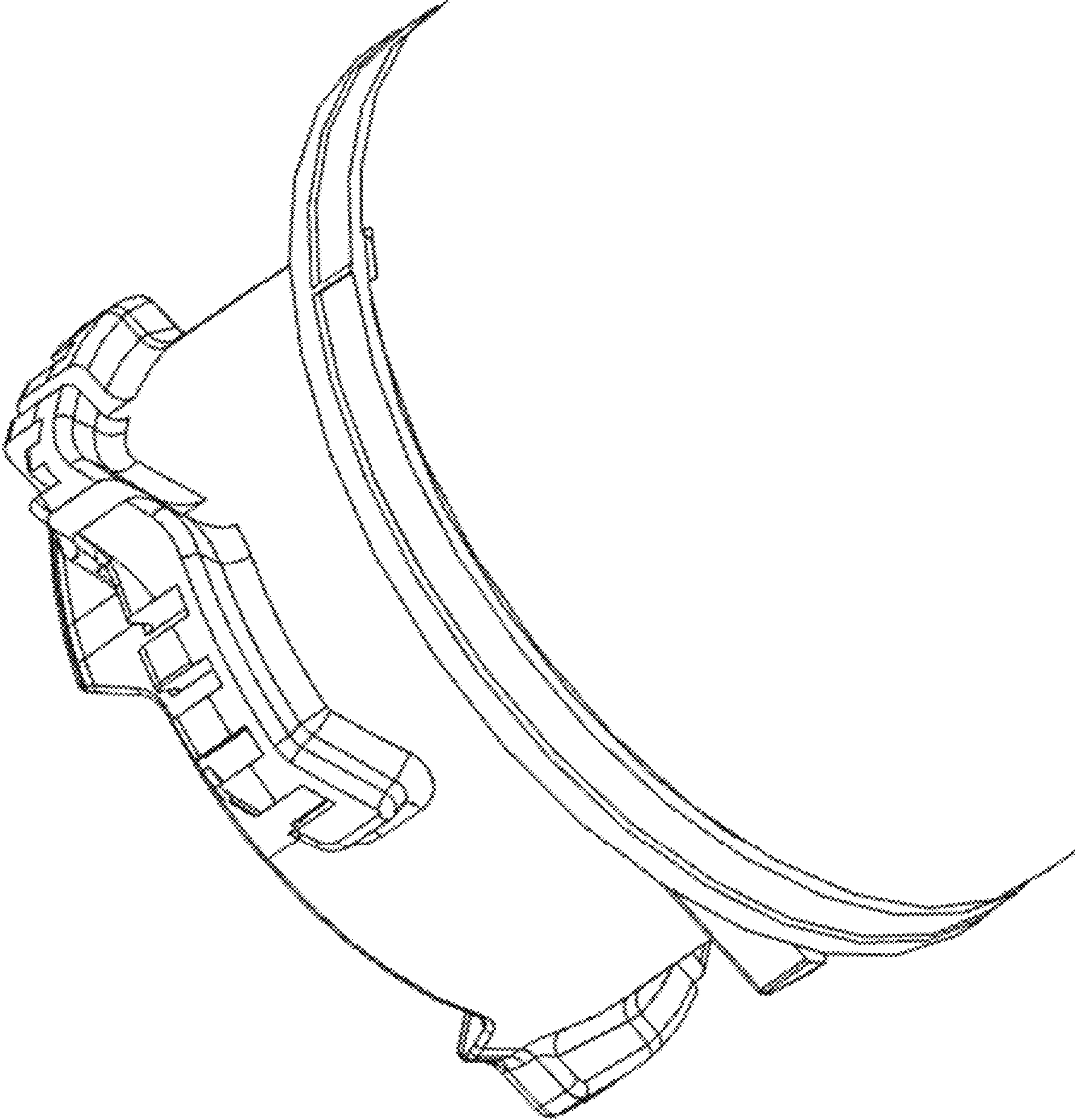


Figure 20

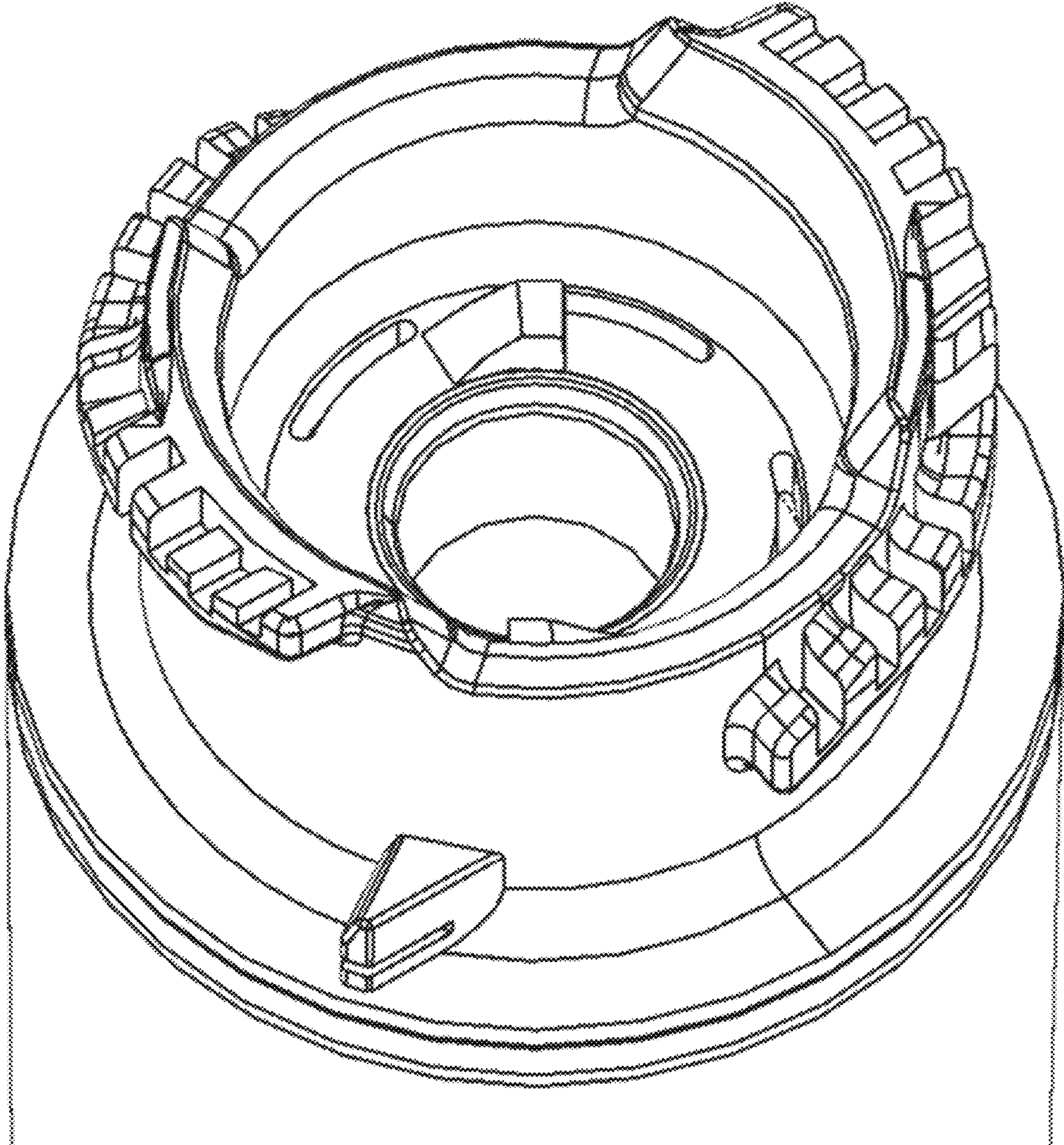


Figure 21

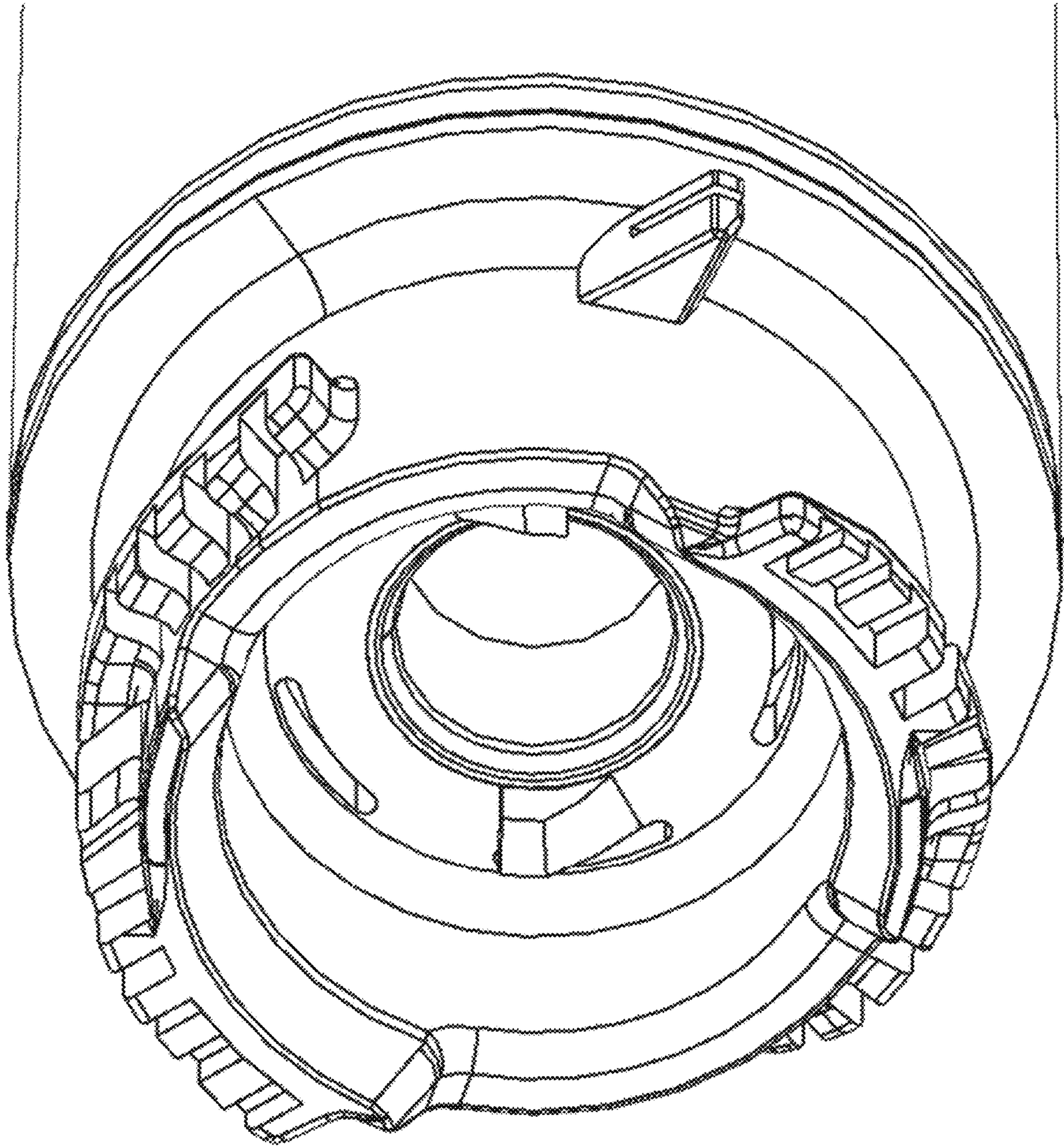


Figure 22