



US00D911485S

(12) **United States Design Patent** (10) **Patent No.:** **US D911,485 S**
Simmons (45) **Date of Patent:** **** Feb. 23, 2021**

(54) **LOCKING ROD HOLDER**
(71) Applicant: **Jessie Simmons**, Odenville, AL (US)
(72) Inventor: **Jessie Simmons**, Odenville, AL (US)
(**) Term: **15 Years**
(21) Appl. No.: **29/579,543**
(22) Filed: **Sep. 30, 2016**
(51) **LOC (13) Cl.** **22-05**
(52) **U.S. Cl.**
USPC **D22/147; D8/387**
(58) **Field of Classification Search**
USPC D22/147, 143, 148, 149; D8/387, 71,
D8/349, 354, 382
CPC A01K 97/10; A01K 97/12; A01K 97/06;
F16B 37/145; F16B 7/06; B63B 17/00;
B63B 2017/0054; A45B 9/00
See application file for complete search history.

D330,753 S * 11/1992 Gutierrez D22/147
D343,441 S * 1/1994 Peacock D22/147
D345,409 S * 3/1994 Baynard D22/147
D363,831 S * 11/1995 Mueller D8/387
5,468,241 A * 11/1995 Metz-Stavenhagen
A61B 17/6416
606/319
5,557,877 A * 9/1996 Colson A01K 97/10
248/512
D379,142 S * 5/1997 Miller D22/147
5,634,619 A * 6/1997 Alessi A47B 57/565
248/219.3
5,685,107 A * 11/1997 Sweet A01K 97/10
43/21.2
5,713,686 A * 2/1998 Maughan F16B 7/06
403/274
5,782,078 A * 7/1998 Brantley F16B 7/06
248/555
5,857,658 A * 1/1999 Niemiec A01K 97/10
248/231.71

(Continued)

Primary Examiner — Sandra Snapp
Assistant Examiner — Ieisha N Price
(74) *Attorney, Agent, or Firm* — Cionca IP Law PC.;
Marin Cionca

(56) **References Cited**

U.S. PATENT DOCUMENTS

2,278,320 A * 3/1942 Kath F16B 7/06
403/44
2,801,488 A * 8/1957 Sokolik A01K 97/10
43/17
3,012,352 A * 12/1961 Logsdon A01K 97/12
43/17
3,204,586 A * 9/1965 Marsh, Jr. F23M 5/06
110/331
3,978,427 A * 8/1976 Truscott H01S 3/0602
372/40
4,081,219 A * 3/1978 Dykmans F16B 7/06
403/301
4,111,568 A * 9/1978 Wing F16B 7/06
403/2
4,495,379 A * 1/1985 Thevenon H02G 15/14
174/84 S
5,009,027 A * 4/1991 Lee A01K 97/10
248/533

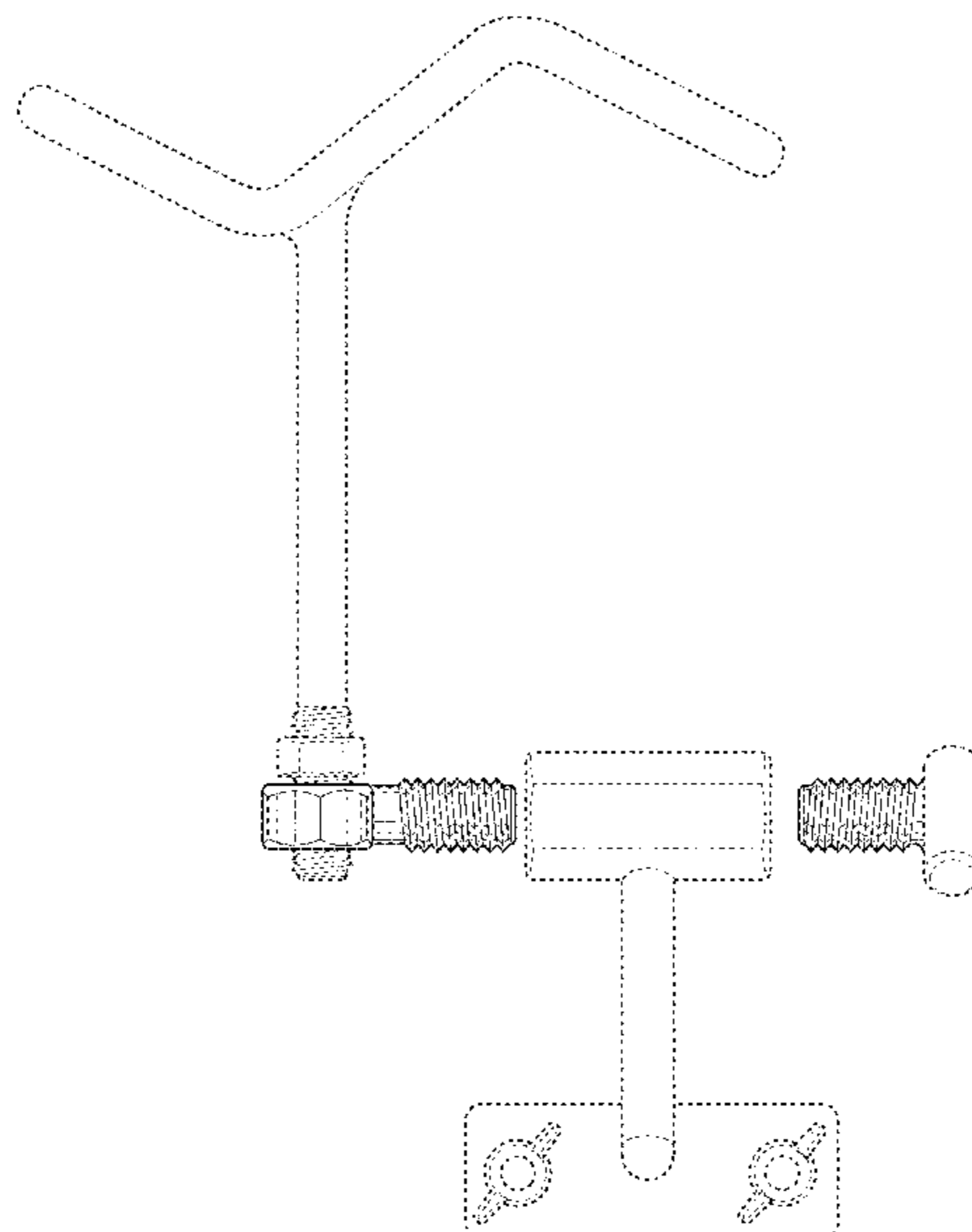
(57) **CLAIM**

The ornamental design of a locking rod holder, as shown and described.

DESCRIPTION

FIG. 1 is a front elevation view of a locking rod holder showing the new design in a disconnected state; FIG. 2 is a front elevation view of the locking rod holder of FIG. 1 in a connected state; and, FIG. 3 is a top right side perspective view of the locking rod holder of FIG. 1 in a connected state. The broken lines shown in the drawings are included for the purpose of illustrating environmental structure and form no part of the claimed design.

1 Claim, 3 Drawing Sheets



(56)

References Cited

U.S. PATENT DOCUMENTS

6,073,642	A *	6/2000	Huang	A45B 9/00 135/114	2006/0048437	A1 *	3/2006	Sandman, Jr.	A01K 97/10 43/21.2
6,213,441	B1 *	4/2001	Baynard	A01K 97/10 248/512	2006/0231723	A1 *	10/2006	Fayerman	A01K 97/10 248/540
6,263,572	B1 *	7/2001	Hattan	B23P 15/00 29/416	2007/0167063	A1 *	7/2007	Nilsen	F16B 7/06 439/348
6,419,253	B1 *	7/2002	Mascari	A61G 5/1059 280/250.1	2009/0084019	A1 *	4/2009	Carnevali	A01K 97/10 43/21.2
6,898,893	B1 *	5/2005	Mukdaprakorn	A01K 97/10 248/518	2010/0000144	A1 *	1/2010	Yang	A01K 97/10 43/21.2
7,043,869	B1 *	5/2006	Hubbard	A01K 97/10 43/21.2	2010/0299988	A1 *	12/2010	Robinson	A01K 97/01 43/21.2
7,640,692	B1 *	1/2010	Baynard	A01K 91/08 248/512	2011/0203155	A1 *	8/2011	Simmons	A01K 97/10 43/17
8,327,575	B1 *	12/2012	Zalewski	248/519	2013/0227873	A1 *	9/2013	Coulson	A01K 97/125 43/17
9,377,047	B2 *	6/2016	Hill	F16B 21/00	2014/0341649	A1 *	11/2014	Bryan	B66C 23/62 404/35
D768,473	S *	10/2016	Manwaring	D23/262	2015/0272104	A1 *	10/2015	Shaw, Jr.	A01K 97/10 43/21.2
10,219,503	B1 *	3/2019	Harder, Sr.	A01K 97/10	2015/0359210	A1 *	12/2015	Rossi	A01K 97/10 43/21.2
2001/0011435	A1 *	8/2001	Baynard	A01K 97/10 43/21.2	2017/0196212	A1 *	7/2017	Tuck	A01K 97/10
2002/0076273	A1 *	6/2002	Carstensen	E21B 17/0426 403/305	2017/0367311	A1 *	12/2017	Zale	A01K 97/10
2006/0032106	A1 *	2/2006	Barrett	A01K 97/10 43/21.2	2019/0174734	A1 *	6/2019	Rouse	A01K 97/10

* cited by examiner

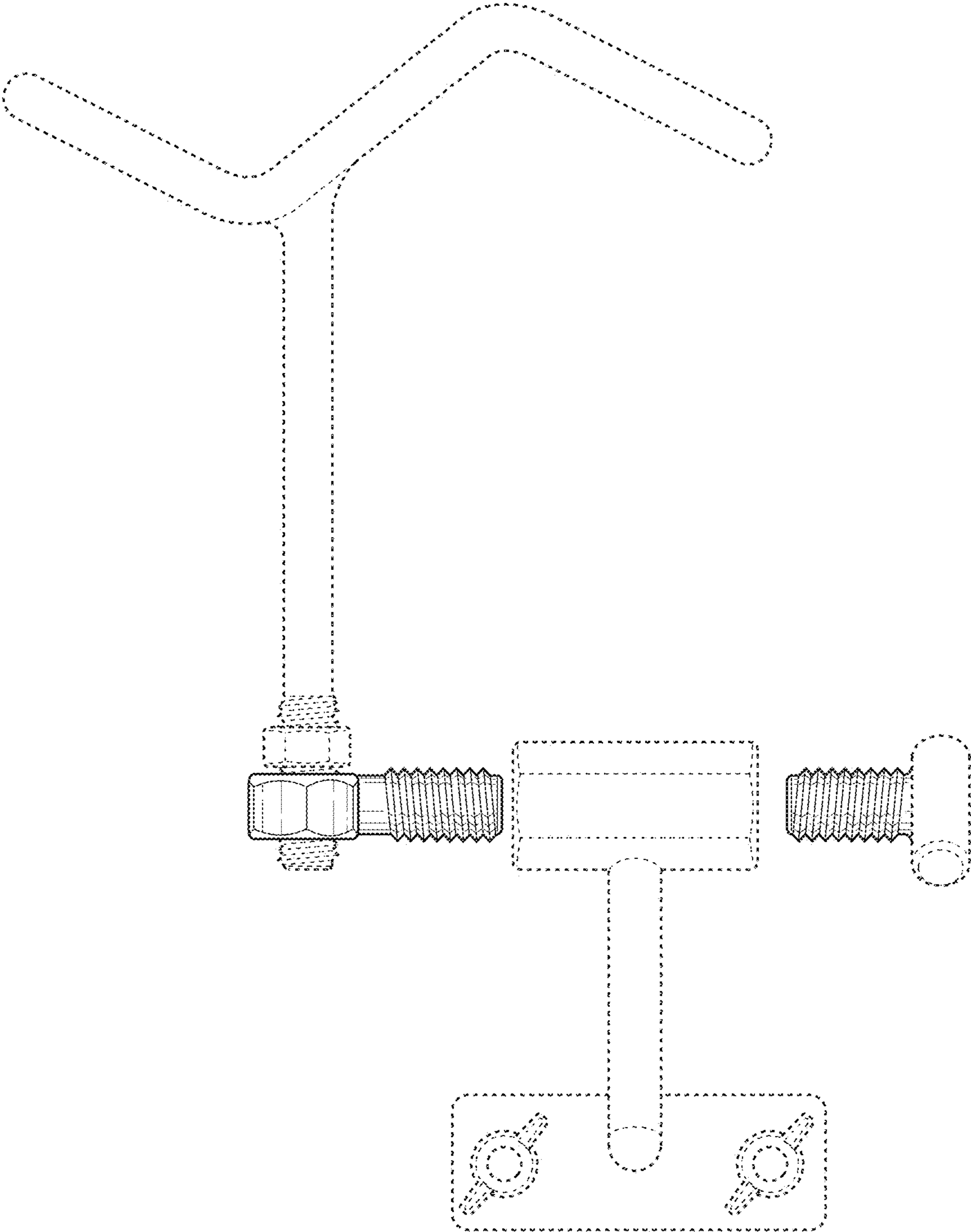


FIG. 1

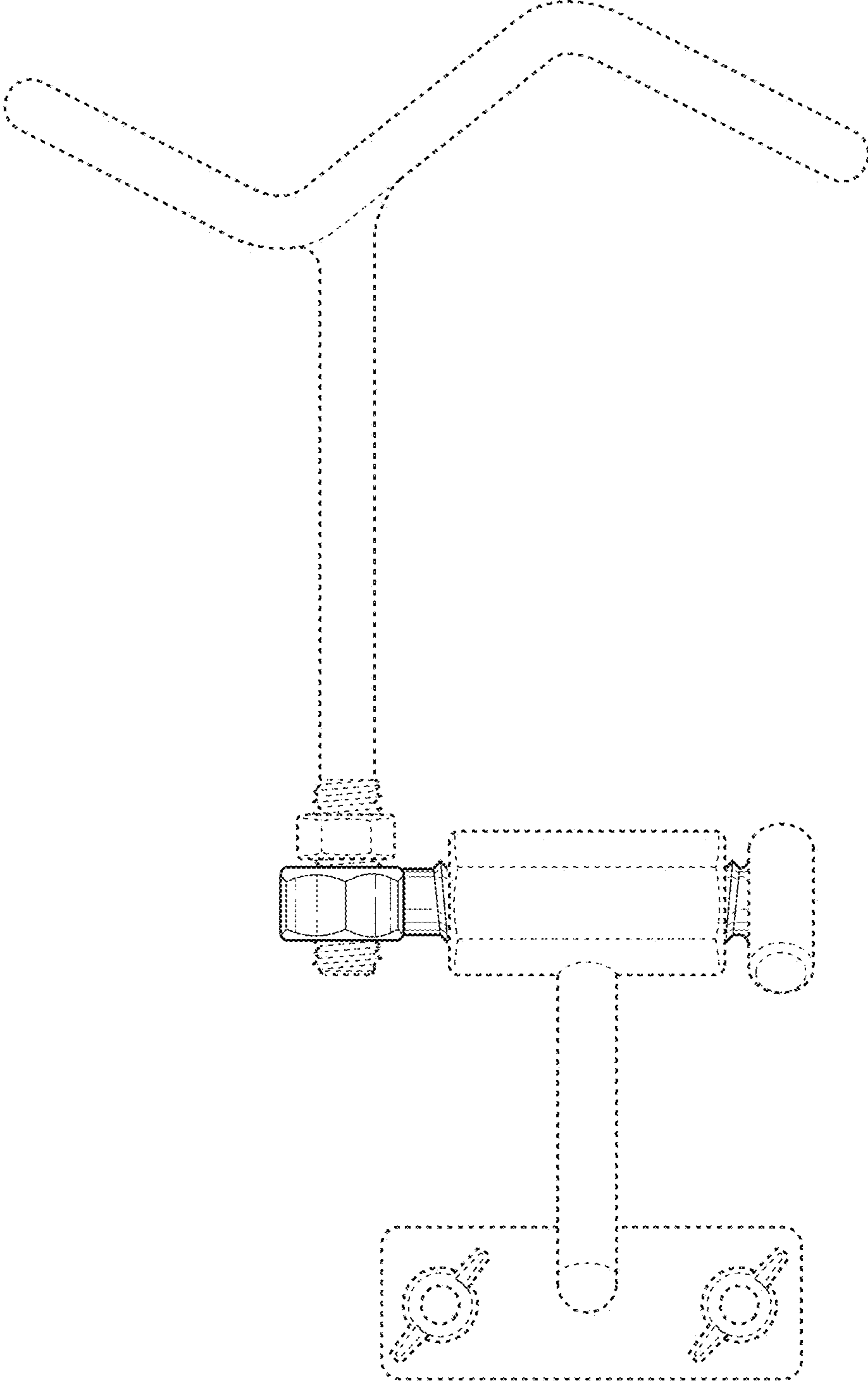


FIG. 2

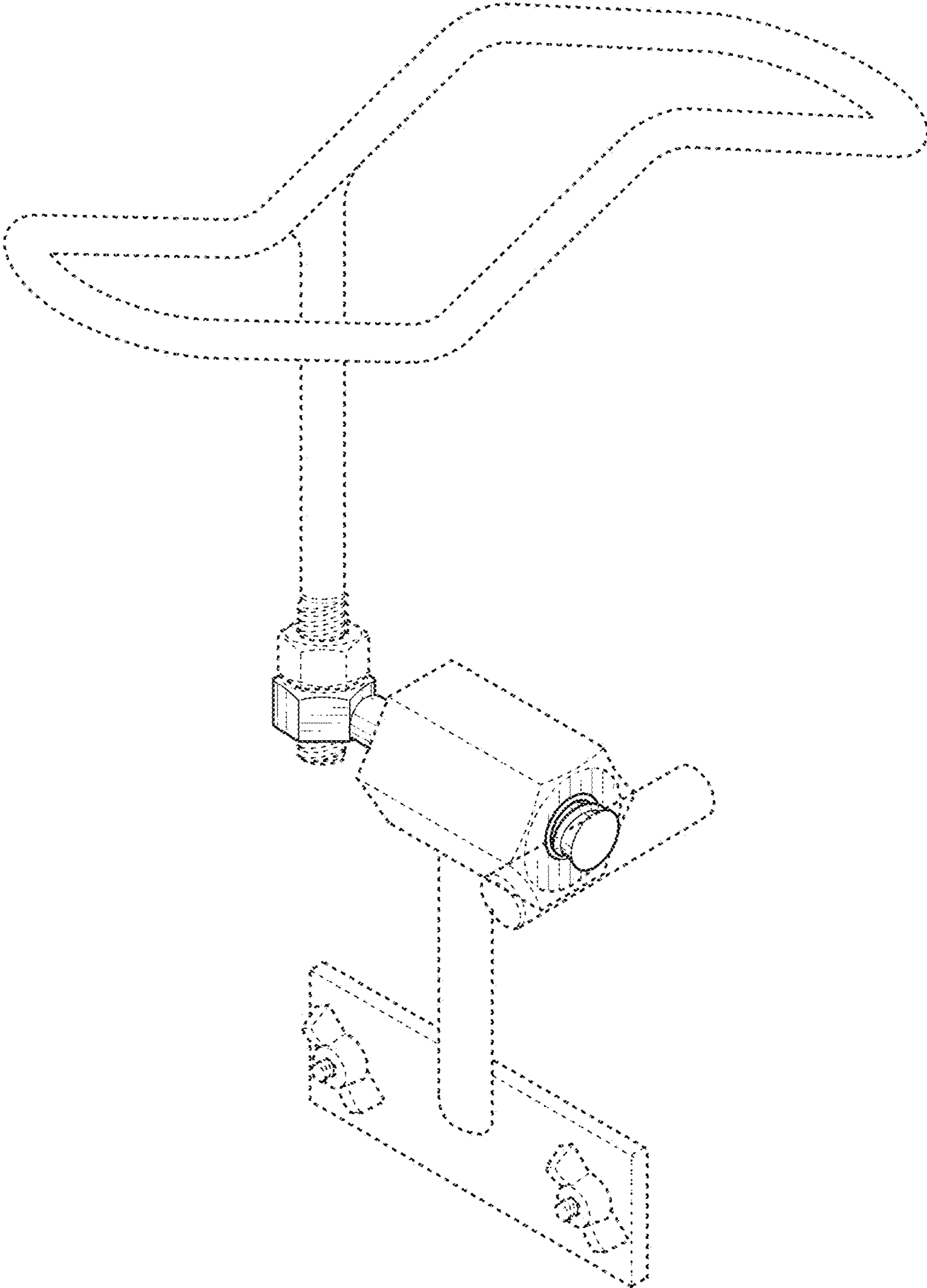


FIG. 3