



US00D911483S

(12) **United States Design Patent** (10) **Patent No.:** **US D911,483 S**  
**Hopp** (45) **Date of Patent:** **\*\* \*Feb. 23, 2021**

(54) **FISHING BAIT HOLDER**  
(71) Applicant: **Michael C. Hopp**, Sioux Falls, SD (US)  
(72) Inventor: **Michael C. Hopp**, Sioux Falls, SD (US)  
(\* ) Notice: This patent is subject to a terminal disclaimer.  
(\*\* ) Term: **15 Years**  
(21) Appl. No.: **29/699,440**  
(22) Filed: **Jul. 25, 2019**  
(51) **LOC (13) Cl.** ..... **22-05**  
(52) **U.S. Cl.**  
USPC ..... **D22/136**  
(58) **Field of Classification Search**  
USPC ..... D22/136, 134; 43/42.48, 42.31, 42.28, 43/44.8, 42.37, 57.1, 25.2, 44.4, 42.53, 43/44.6, 41  
CPC ..... A01K 83/00; A01K 83/06  
See application file for complete search history.

(56) **References Cited**  
U.S. PATENT DOCUMENTS  
1,041,195 A 10/1912 Thomas  
1,955,559 A \* 4/1934 Narrow ..... A47F 1/08  
221/309  
2,055,912 A 9/1936 Schonger  
2,465,812 A 3/1949 Mohme  
2,568,602 A \* 9/1951 Anderson ..... A01K 97/04  
43/55  
3,541,722 A 11/1970 Garrison  
4,233,771 A \* 11/1980 Robinson ..... A01K 83/06  
43/41  
4,691,467 A \* 9/1987 Brimmer ..... A01K 83/06  
43/42.53

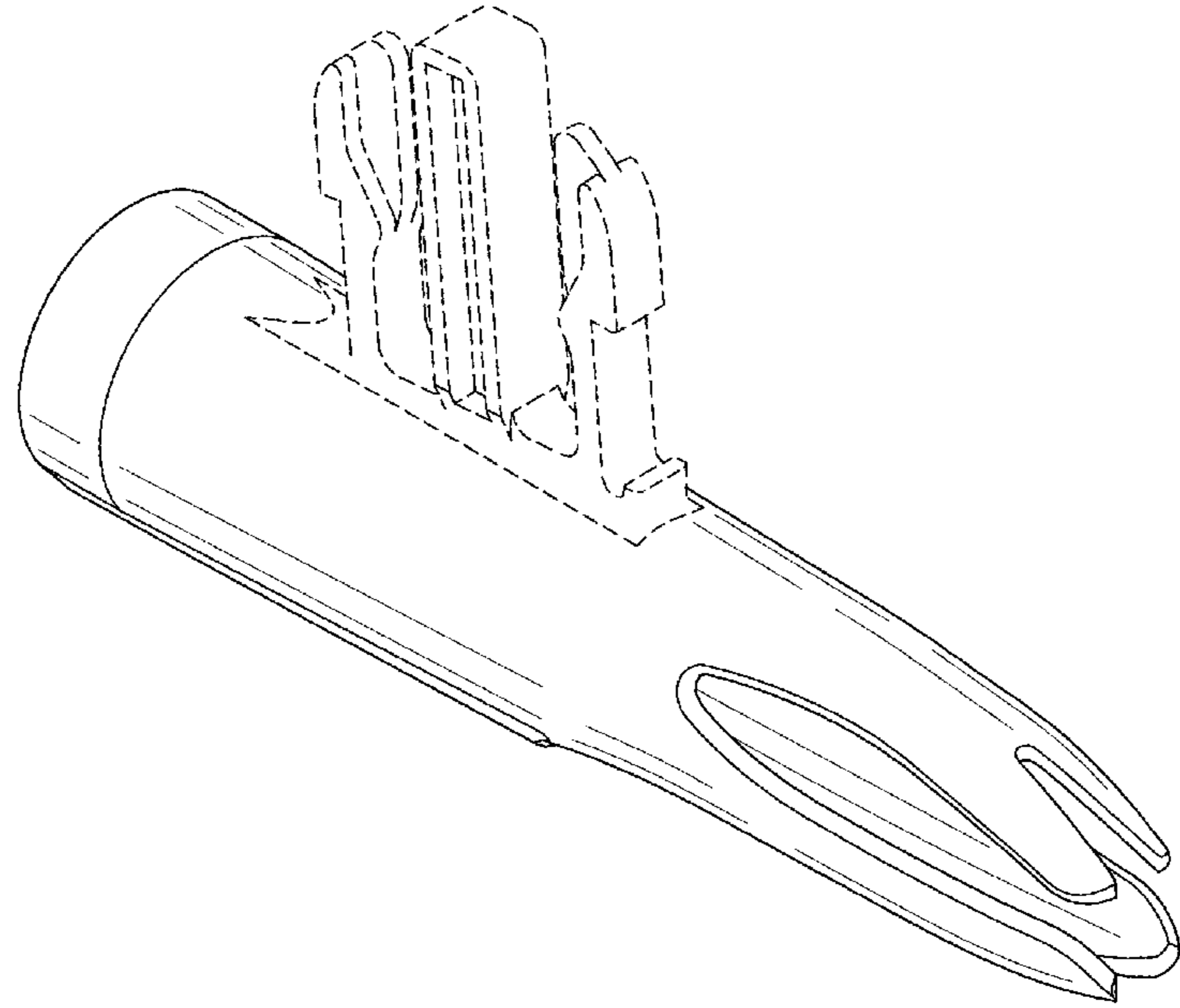
D320,060 S \* 9/1991 Austin ..... D22/136  
5,067,270 A 11/1991 Garrick  
6,327,808 B1 12/2001 Zascavage  
7,426,801 B2 9/2008 Freburger, Jr.  
D704,796 S \* 5/2014 LaFlamme ..... D22/144  
D705,386 S \* 5/2014 Gray ..... D22/144  
D839,381 S \* 1/2019 Quiles ..... D22/136  
D868,453 S \* 12/2019 Lee ..... D3/201  
2005/0268525 A1 \* 12/2005 Kalazich ..... A01K 83/06  
43/41  
2006/0260172 A1 11/2006 Hufe, Jr.  
2016/0113254 A1 \* 4/2016 Scopelitis ..... A01K 83/06  
43/44.6

\* cited by examiner  
*Primary Examiner* — Catherine R Oliver-Garcia

(57) **CLAIM**  
The ornamental design for a fishing bait holder, as shown and described.

**DESCRIPTION**  
FIG. 1 is a front top isometric view of a fishing bait holder showing my new design;  
FIG. 2 is a rear bottom isometric view of the fishing bait holder;  
FIG. 3 is a left side view of the fishing bait holder, the right side view being a mirror image thereof;  
FIG. 4 is a top view of the fishing bait holder;  
FIG. 5 is a bottom view of the fishing bait holder;  
FIG. 6 is a rear view of the fishing bait holder;  
FIG. 7 is a front perspective view of the fishing bait holder;  
FIG. 8 is a cross-sectional view of the fishing bait holder; and,  
FIG. 9 is a side view of the fishing bait holder, shown in use. The broken lines are illustrative of a handle and handle coupler forming no part of the claimed design.

**1 Claim, 7 Drawing Sheets**



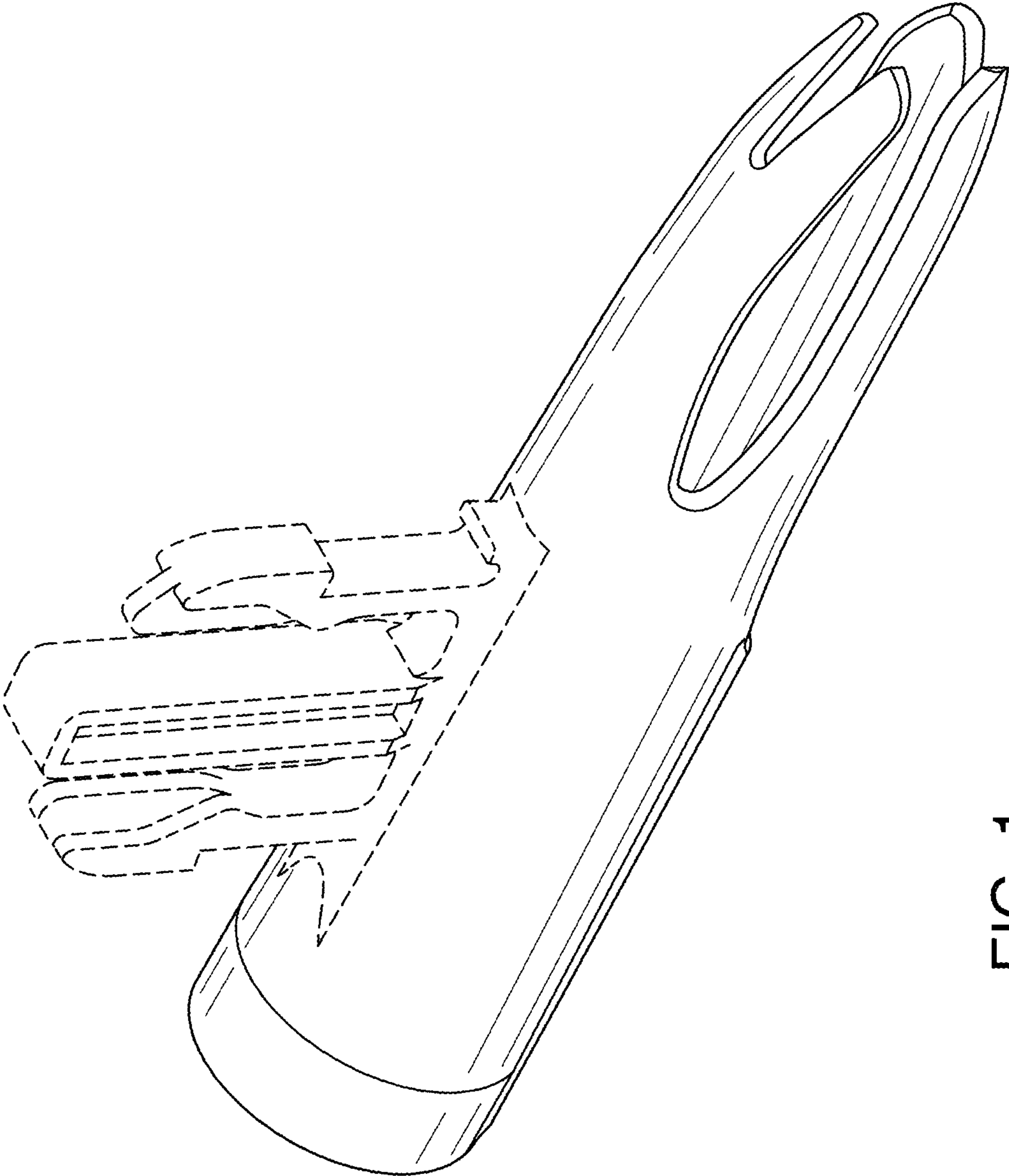


FIG. 1

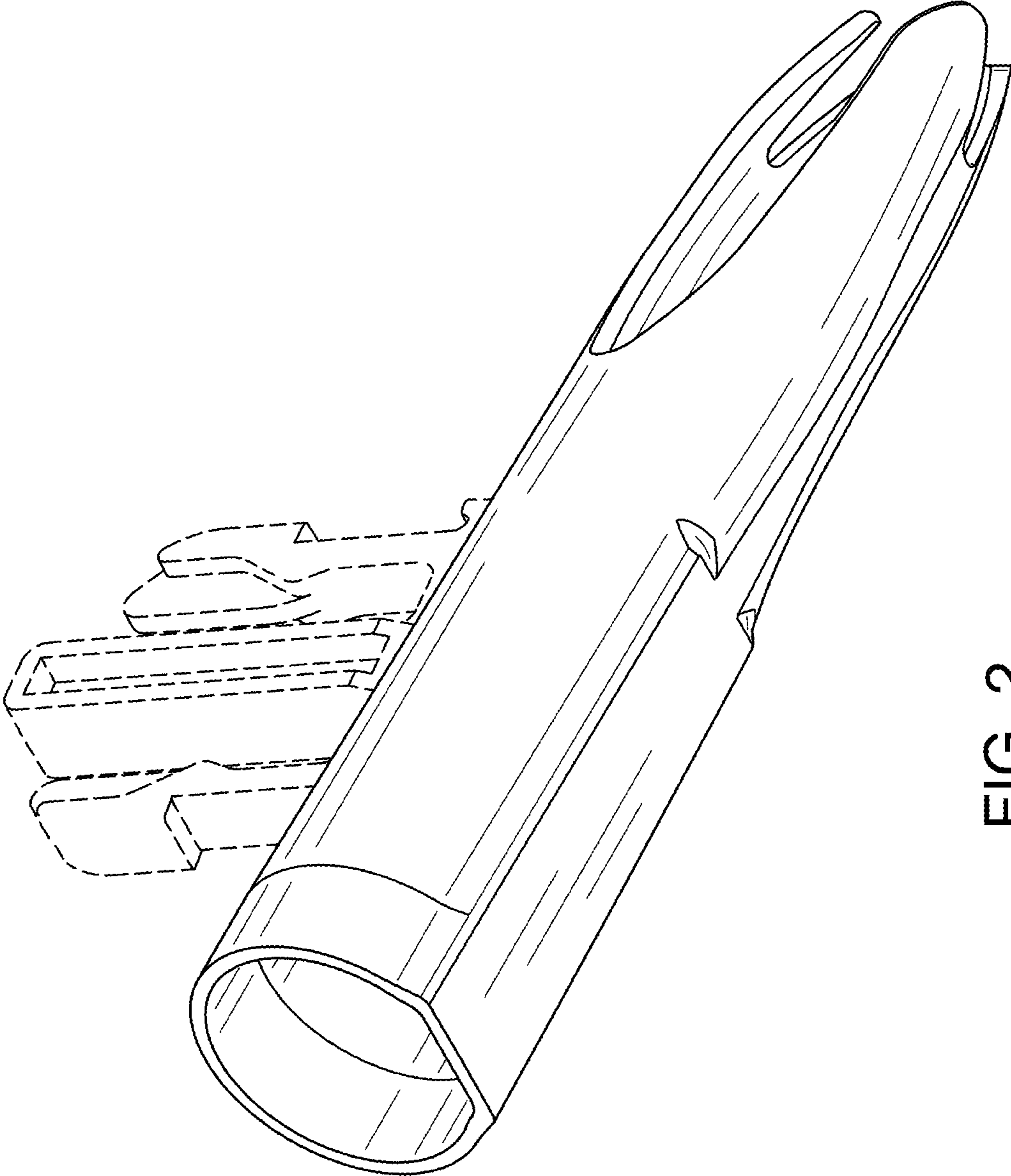


FIG. 2

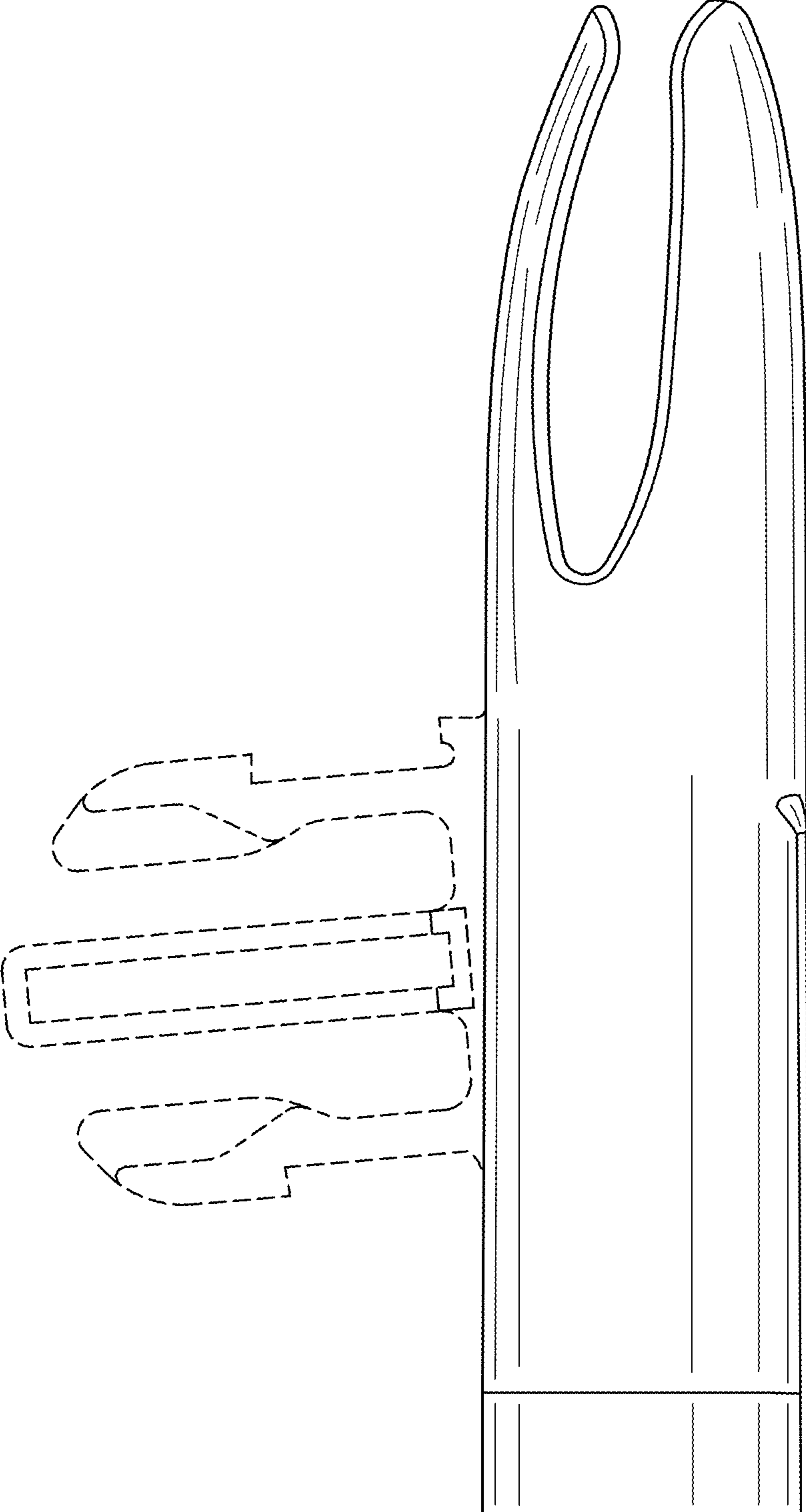


FIG. 3

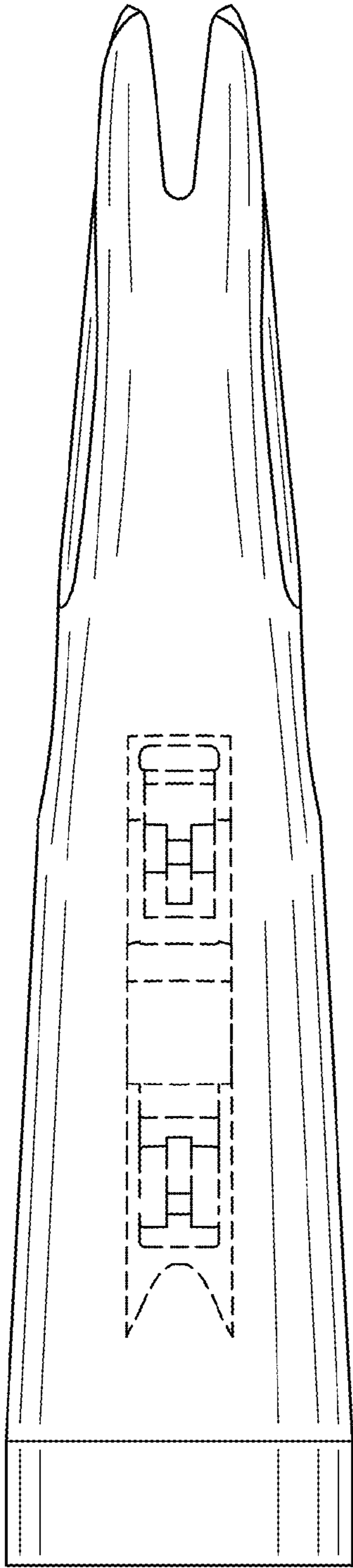


FIG. 4

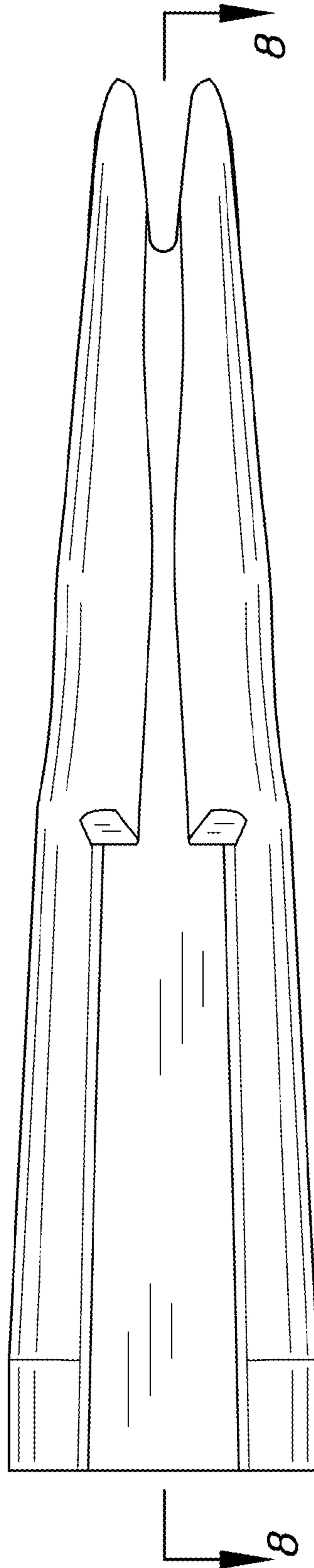


FIG. 5

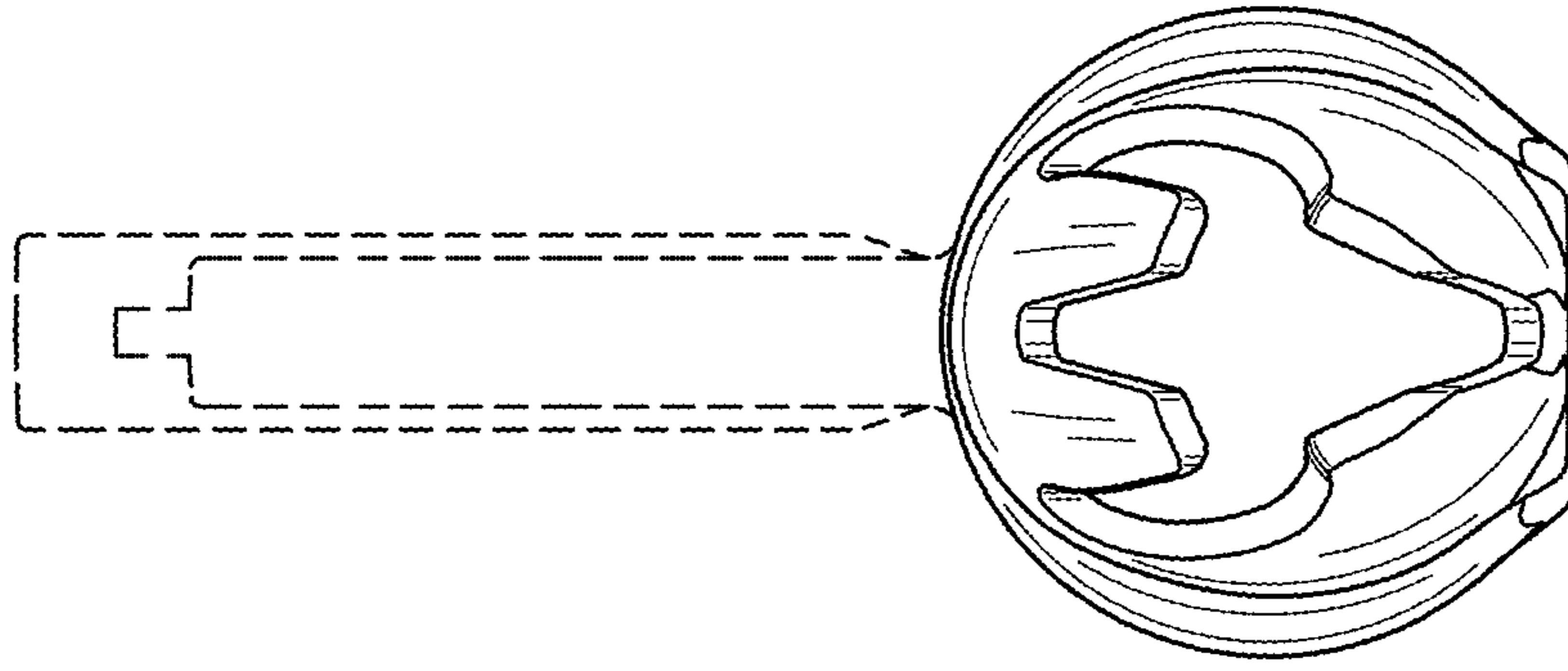


FIG. 7

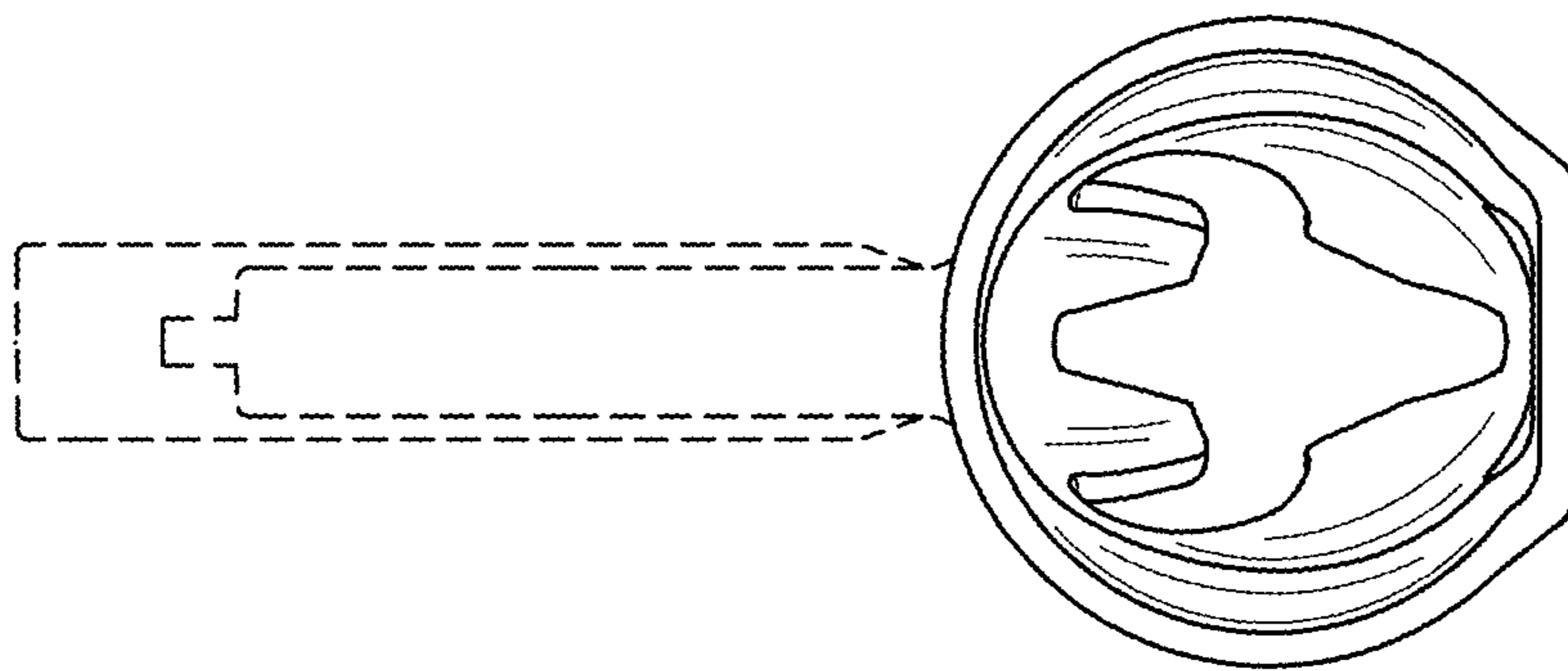


FIG. 6

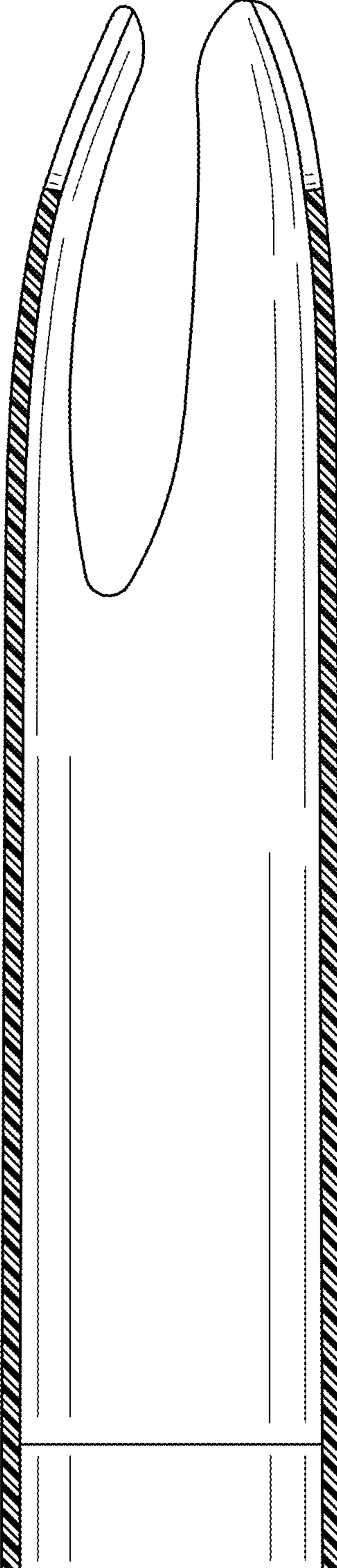


FIG. 8

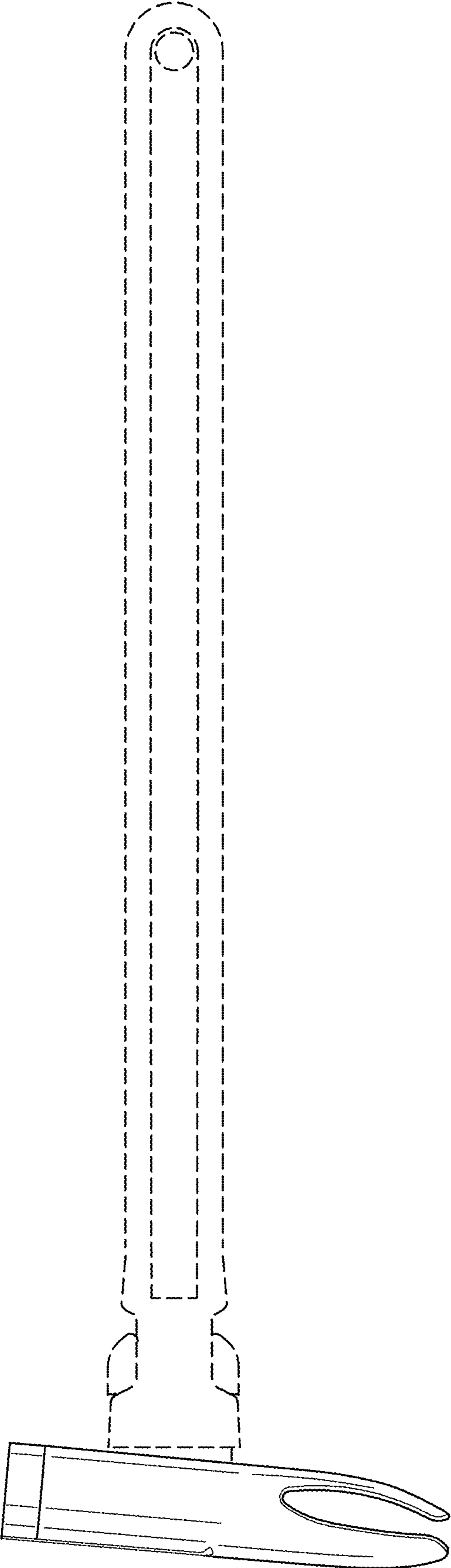


FIG. 9