



US00D911482S

(12) **United States Design Patent**  
**Taylor**

(10) **Patent No.:** **US D911,482 S**

(45) **Date of Patent:** **\*\* Feb. 23, 2021**

(54) **AK RIFLE REAR TRUNNION**

(71) Applicant: **Karl Taylor**, Miami, FL (US)

(72) Inventor: **Karl Taylor**, Miami, FL (US)

(\*\*) Term: **15 Years**

(21) Appl. No.: **29/706,877**

(22) Filed: **Sep. 24, 2019**

(51) **LOC (13) Cl.** ..... **22-01**

(52) **U.S. Cl.**  
USPC ..... **D22/108**

(58) **Field of Classification Search**  
USPC ..... D22/108; D21/572-575  
CPC ..... F41C 23/20; F41G 11/003; F41G 11/004;  
F41A 5/18  
See application file for complete search history.

(56) **References Cited**

**U.S. PATENT DOCUMENTS**

- 2017/0023333 A1\* 1/2017 Faifer ..... F41A 3/66
- 2017/0227319 A1\* 8/2017 Underwood ..... F41A 3/66
- 2018/0120055 A1\* 5/2018 Silverman ..... F41C 23/04
- 2020/0182567 A1\* 6/2020 Barth ..... F41A 3/64

2020/0232731 A1\* 7/2020 Sharkov ..... F41A 11/00

\* cited by examiner

*Primary Examiner* — Michael A. Pratt

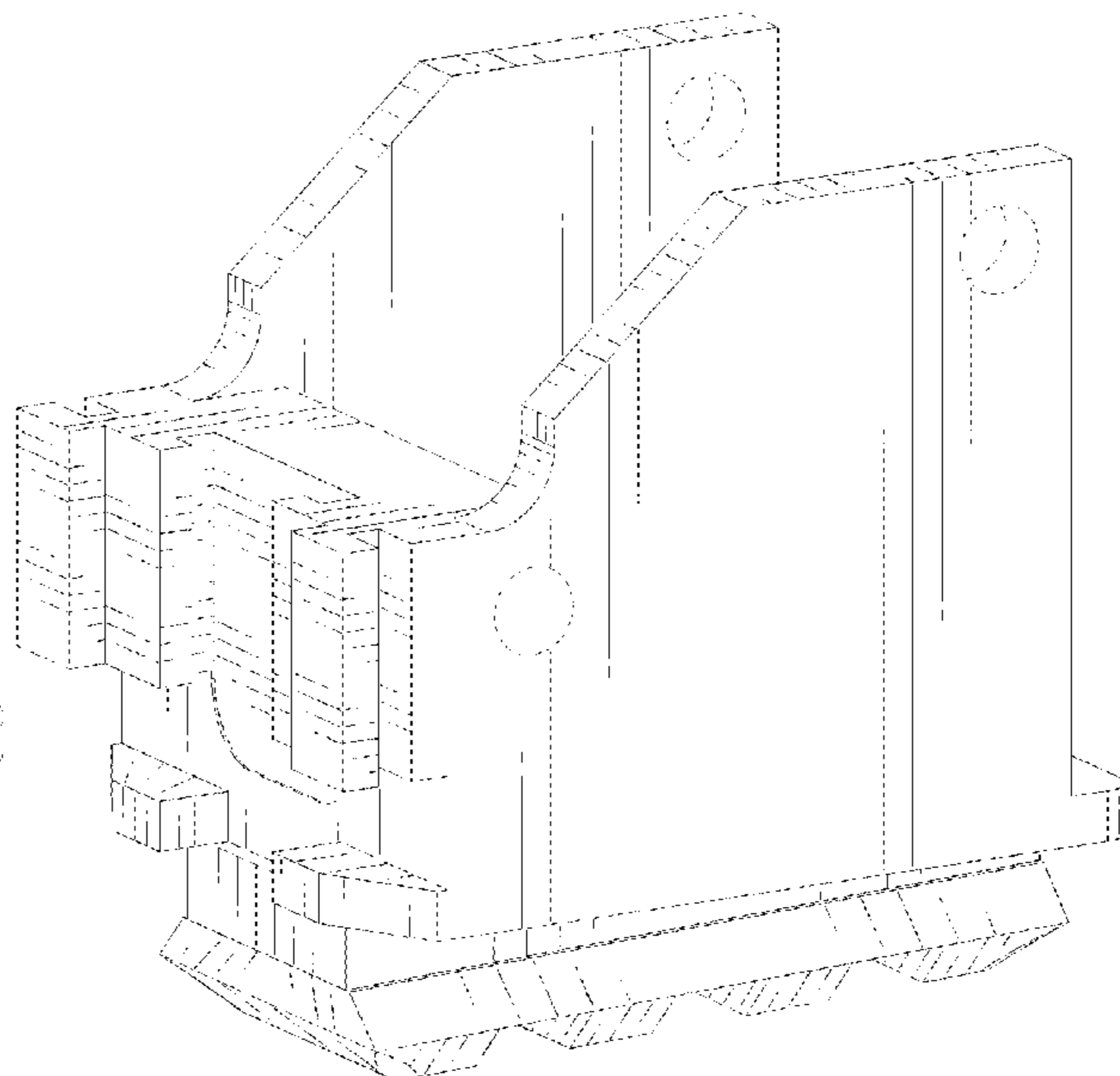
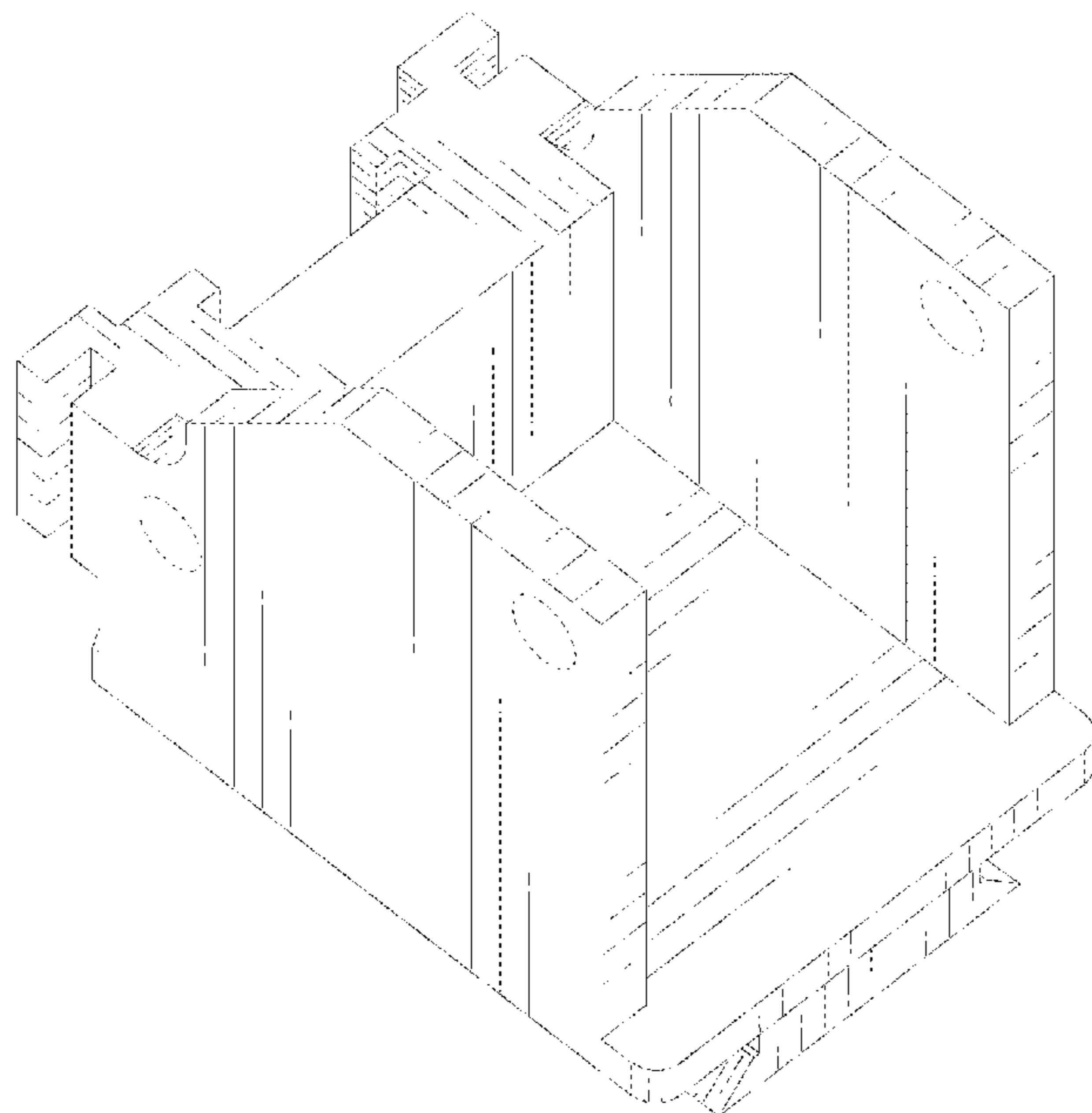
(57) **CLAIM**

The ornamental design for an AK rifle rear trunnion, as shown and described.

**DESCRIPTION**

FIG. 1 is a front top right perspective view of an AK rifle rear trunnion;  
 FIG. 2 is a front top left perspective view thereof;  
 FIG. 3 is a front bottom left perspective view thereof;  
 FIG. 4 is a rear bottom right perspective view thereof;  
 FIG. 5 is a front elevational view thereof;  
 FIG. 6 is a rear elevational view thereof;  
 FIG. 7 is a top plan view thereof;  
 FIG. 8 is a bottom plan view thereof;  
 FIG. 9 is a right elevational view thereof; and,  
 FIG. 10 is a left elevational view thereof.  
 The broken line showing a plurality of holes in FIGS. 1-6 are included for the purpose of illustrating environmental structure and forms no part of the claimed design.

**1 Claim, 10 Drawing Sheets**



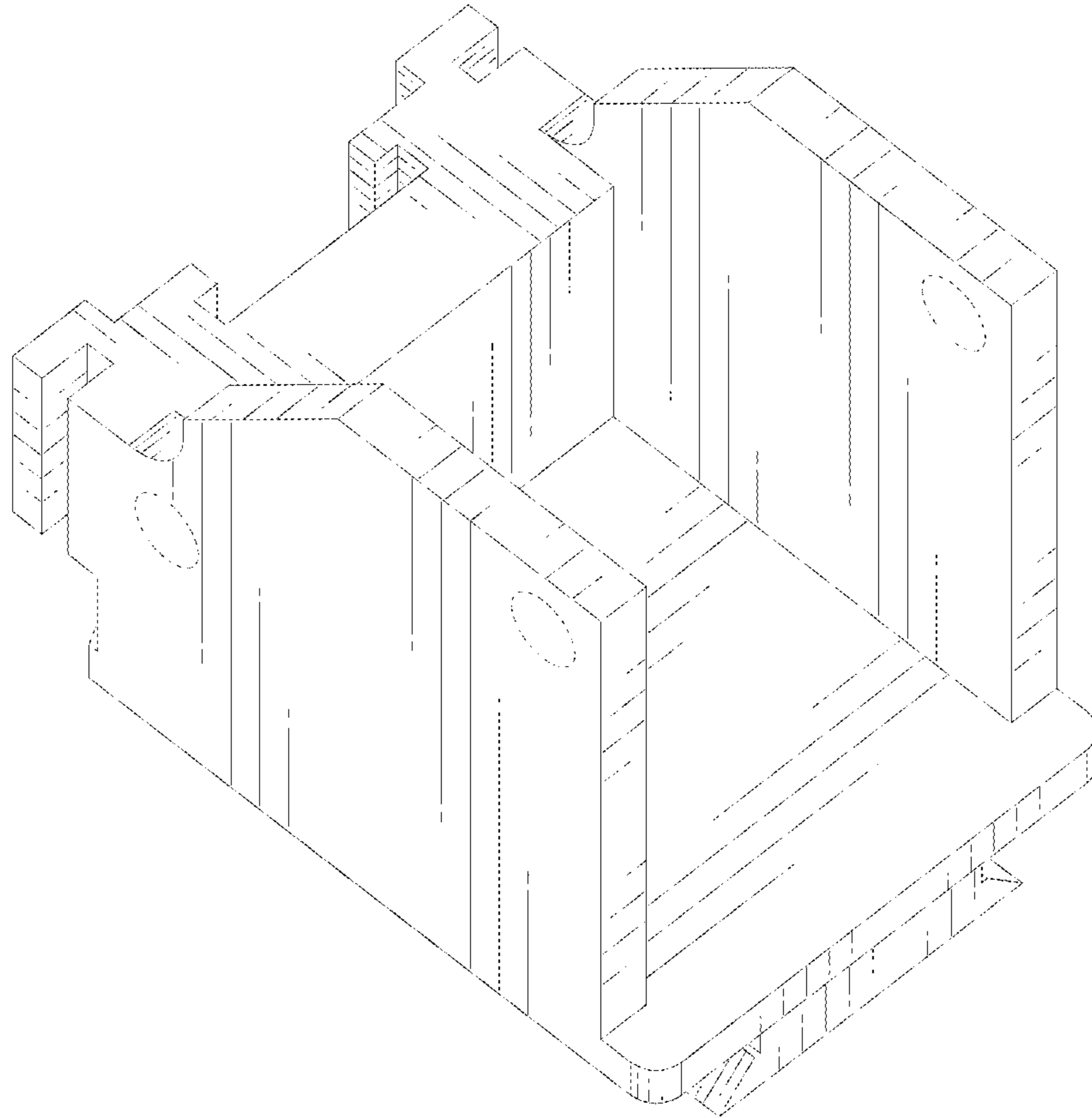


FIG. 1

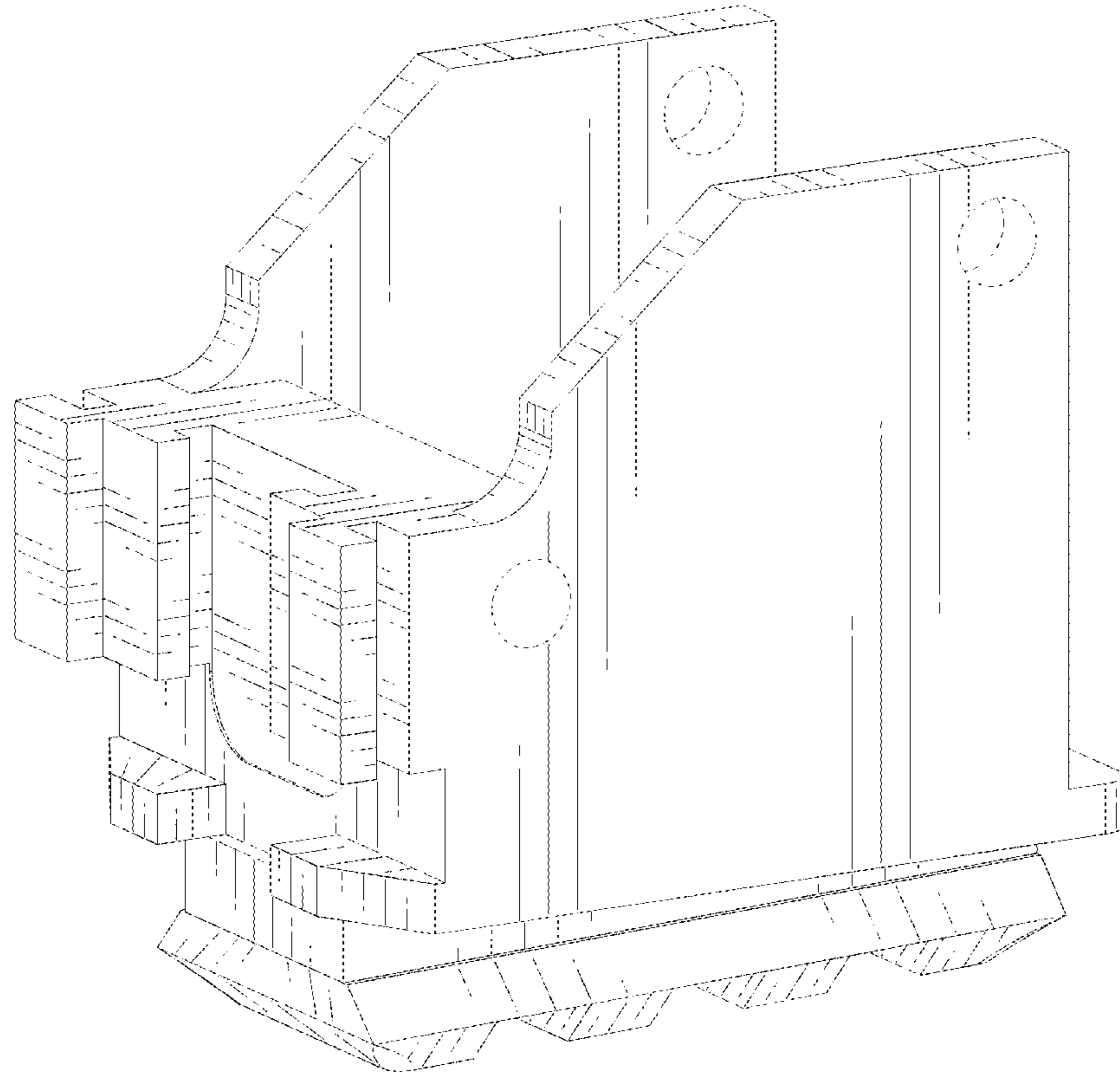


FIG. 2

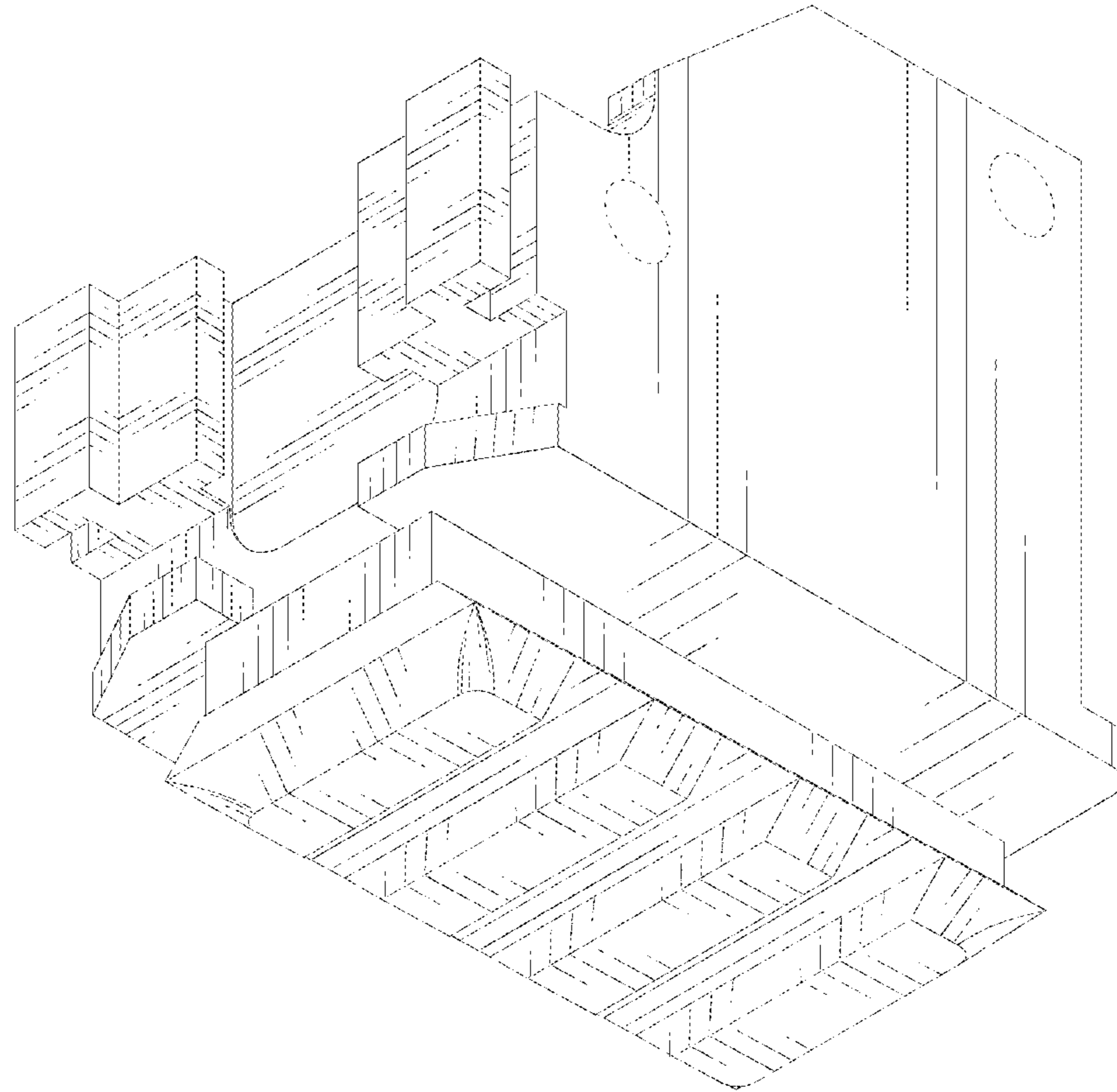


FIG. 3

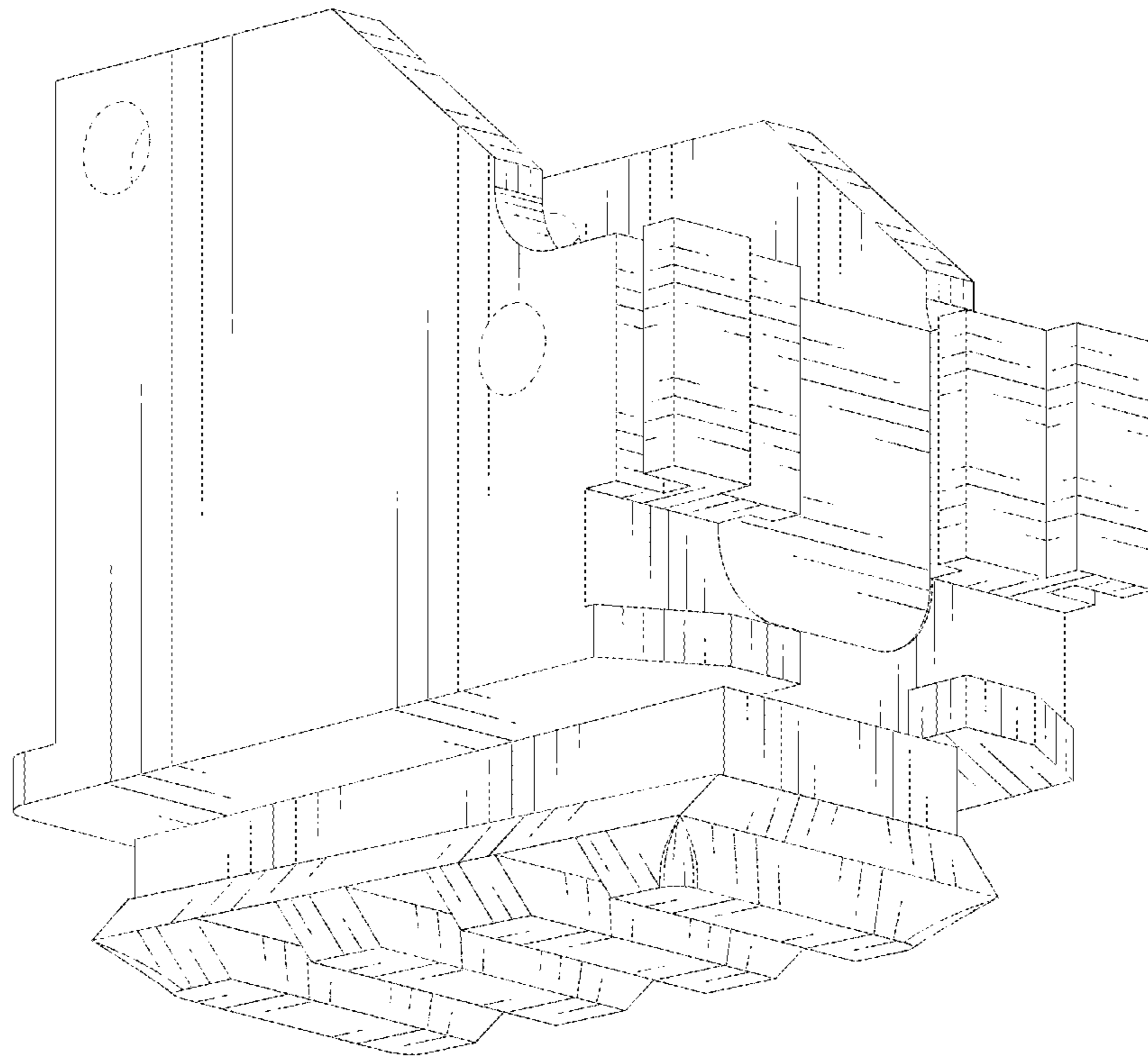


FIG. 4

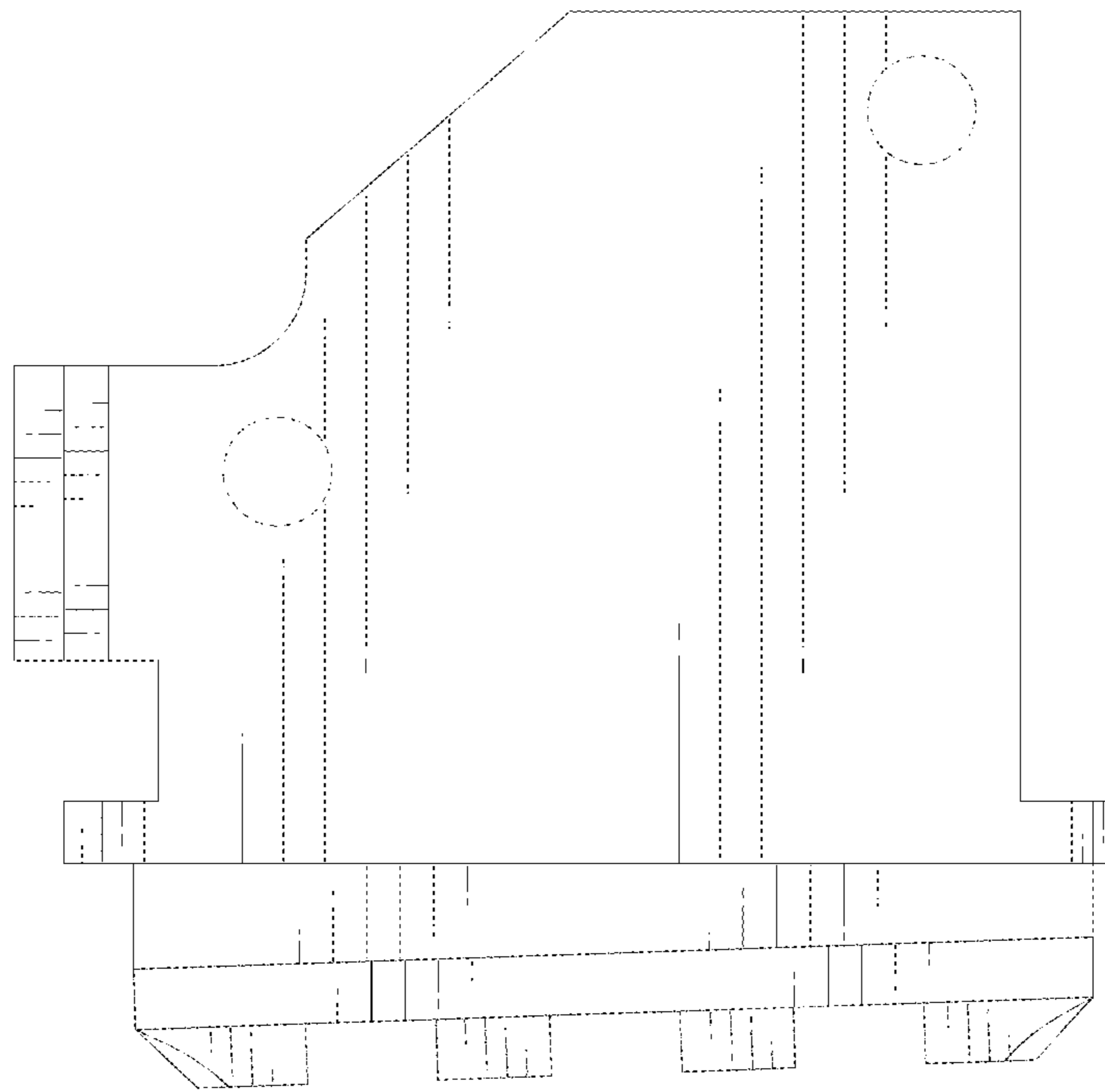


FIG. 5

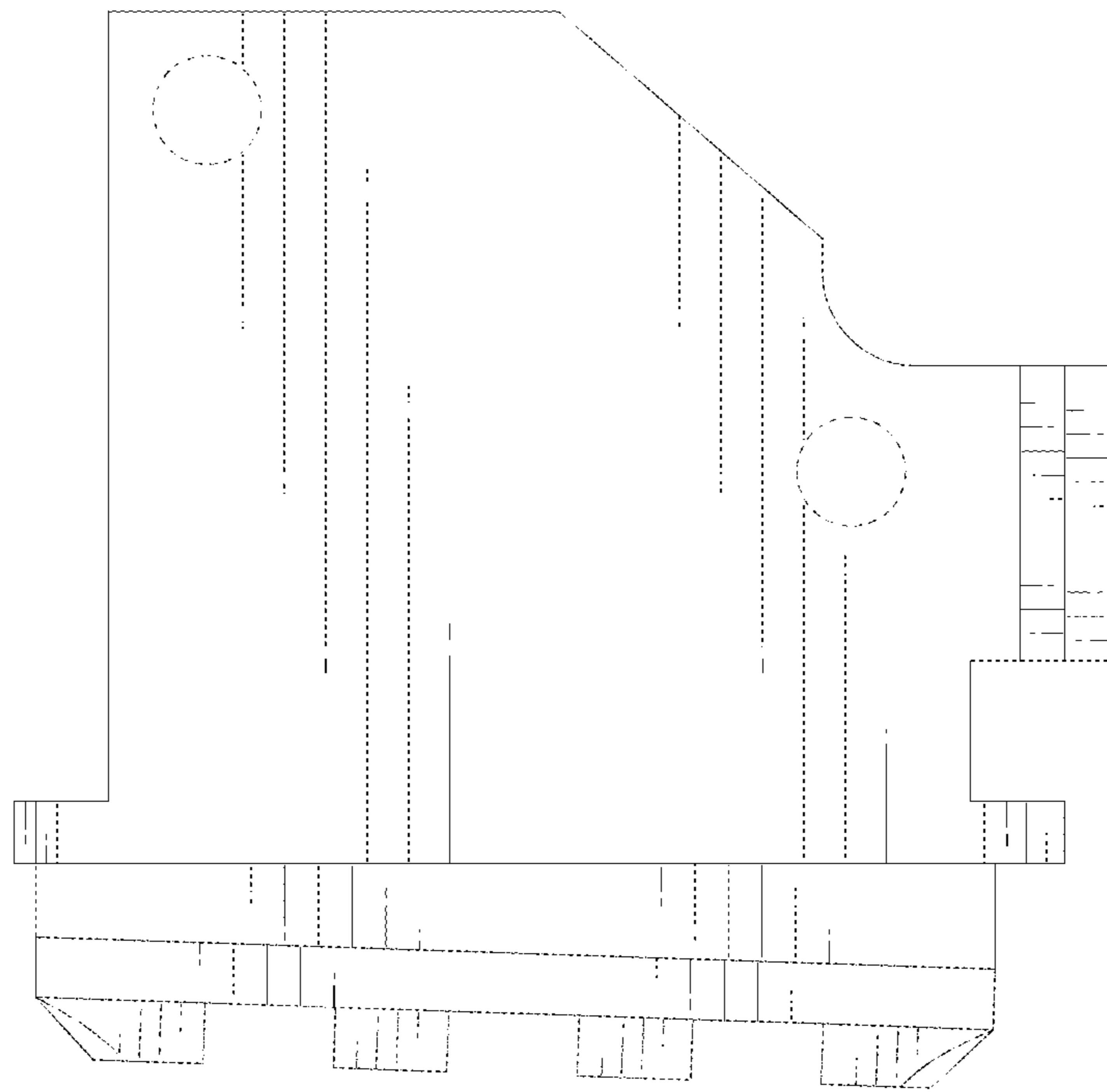


FIG. 6

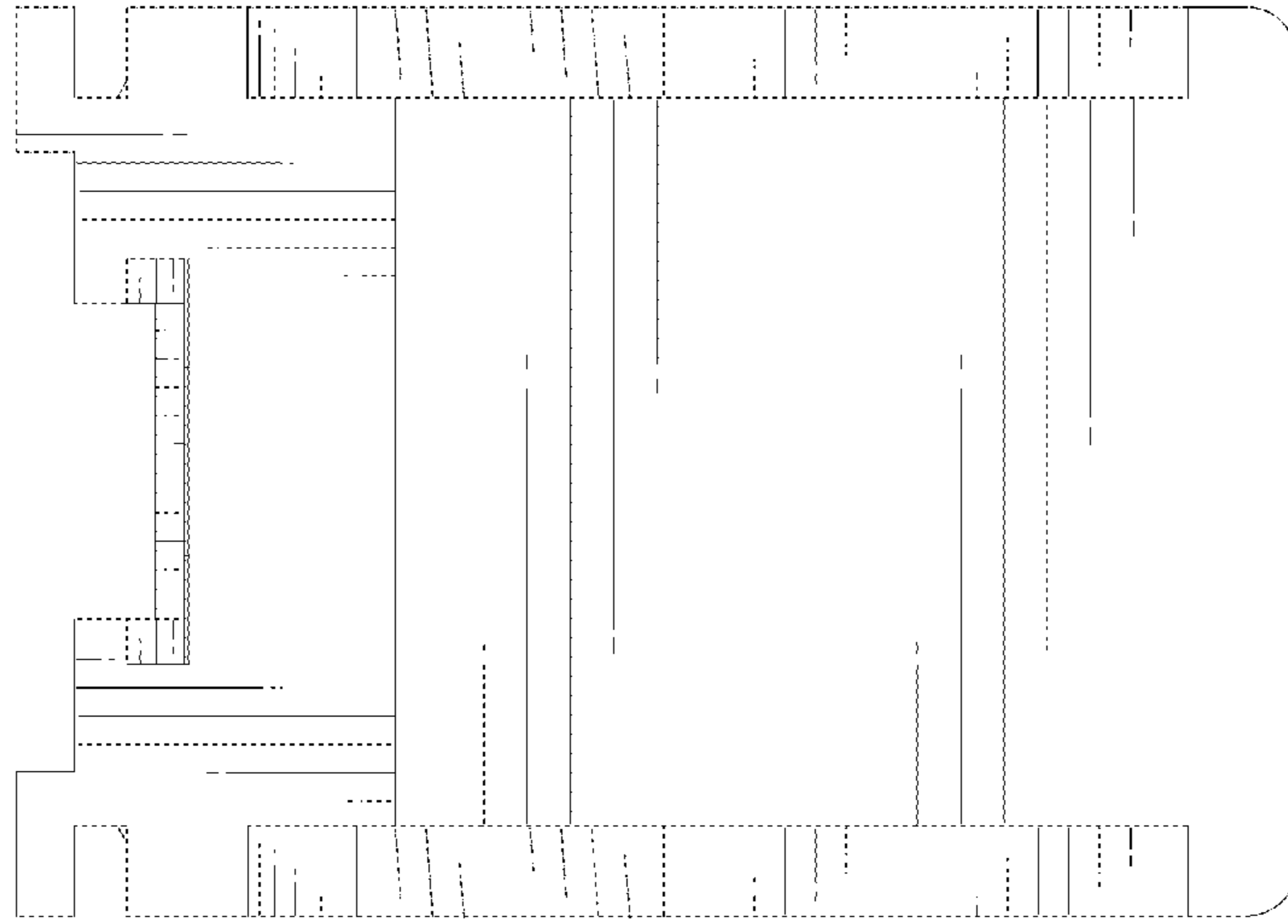


FIG. 7



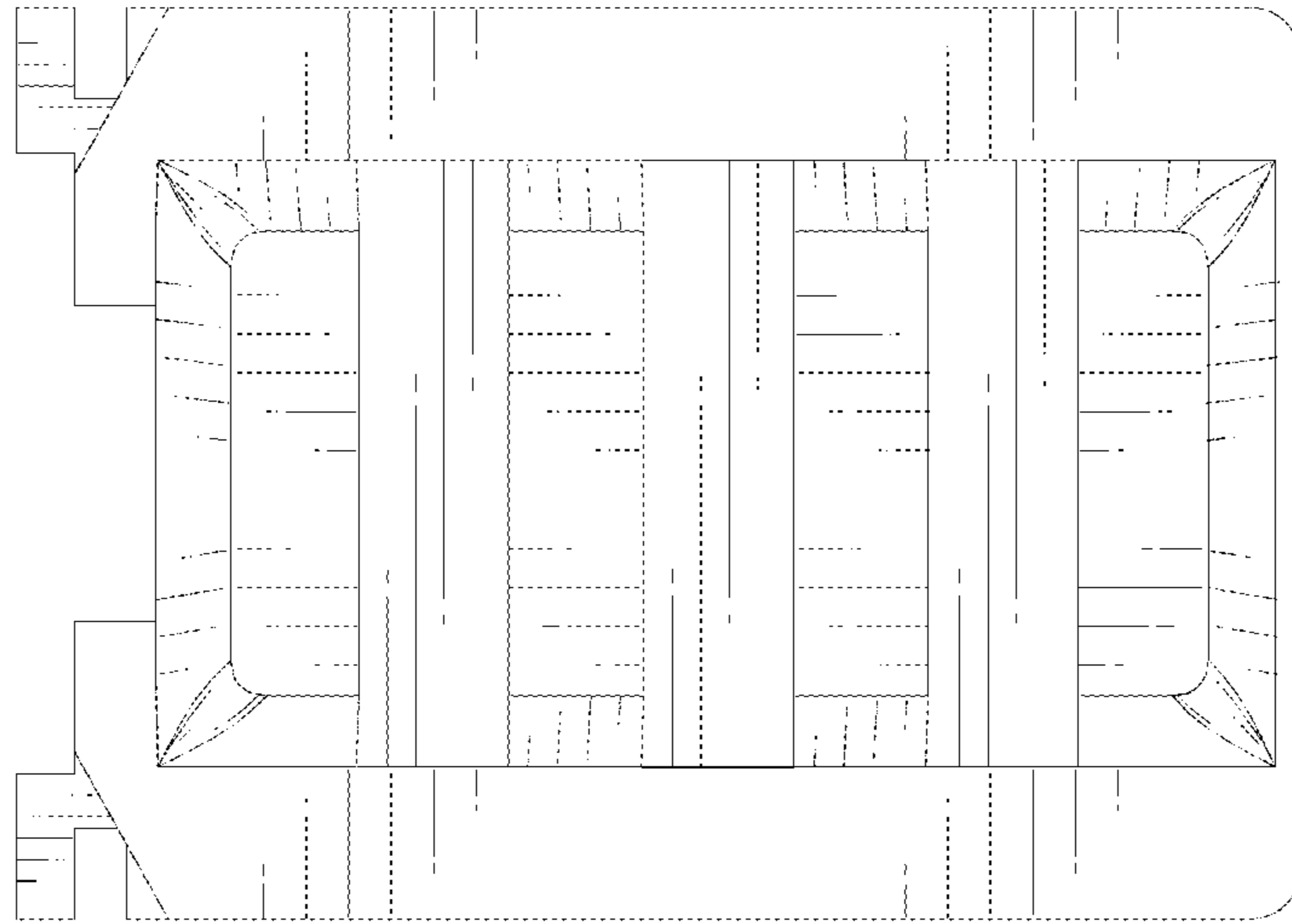


FIG. 8

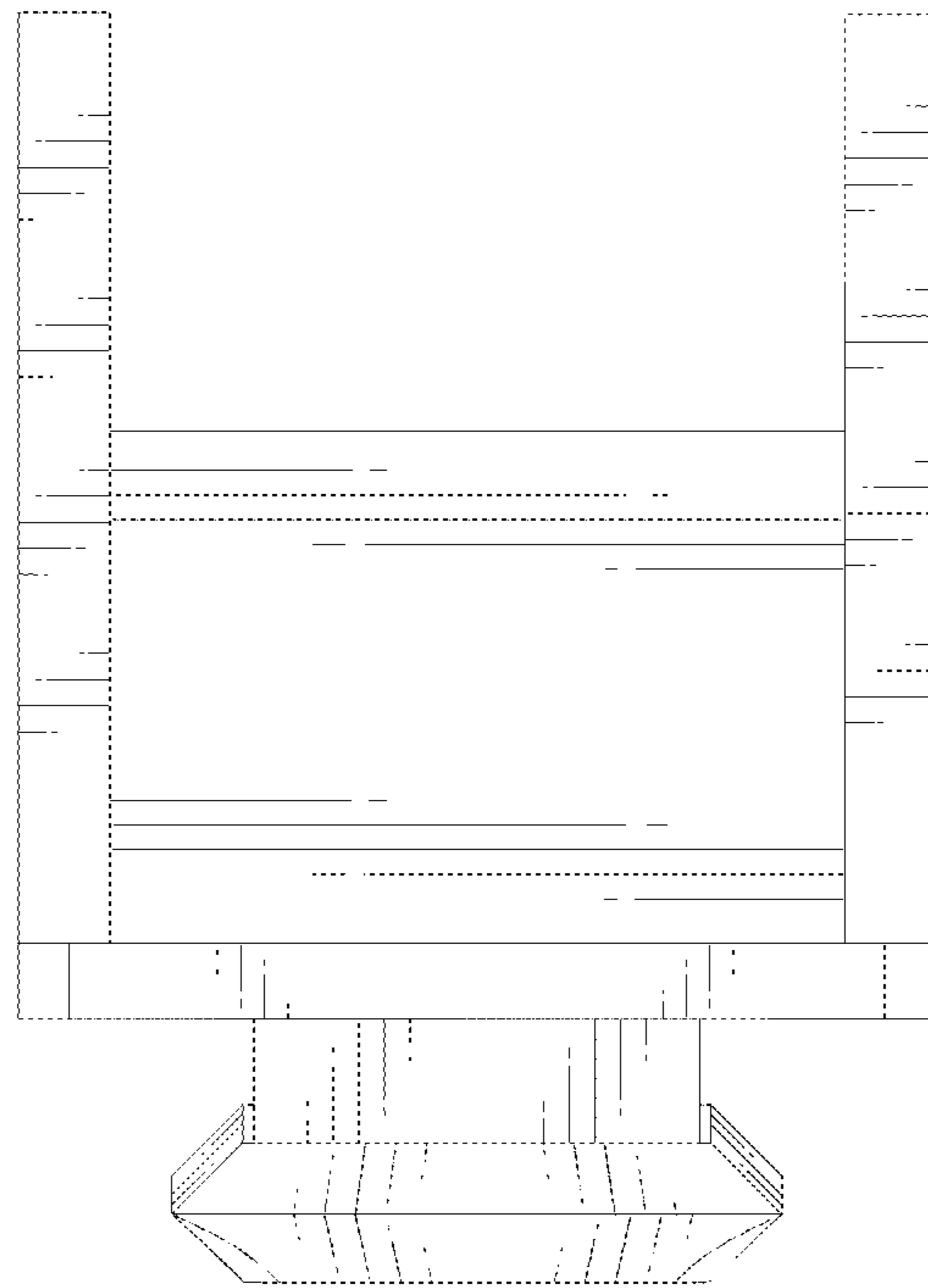


FIG. 9

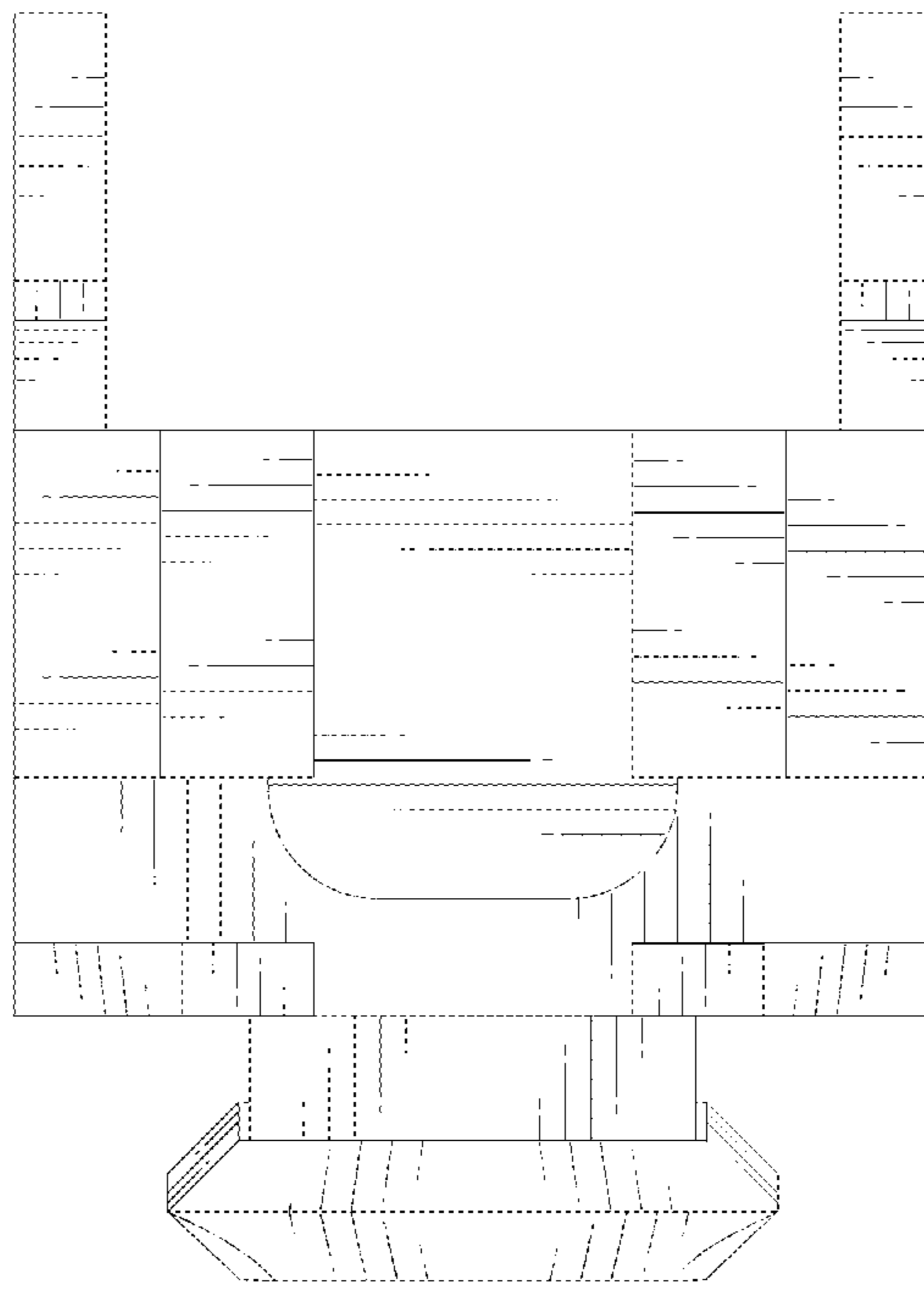


FIG. 10