



US00D911475S

(12) **United States Design Patent**
Chen et al.

(10) **Patent No.:** **US D911,475 S**

(45) **Date of Patent:** **** Feb. 23, 2021**

(54) **BALANCE VEHICLE**

(71) Applicant: **Zhejiang Jinbang Sports Equipment Co., Ltd., Zhejiang (CN)**

(72) Inventors: **Xing Chen, Zhejiang (CN); Yongqiang Xu, Zhejiang (CN)**

(73) Assignee: **Zhejiang Jinbang Sports Equipment Co., Ltd., Zhejiang (CN)**

(**) Term: **15 Years**

(21) Appl. No.: **29/714,084**

(22) Filed: **Nov. 21, 2019**

(30) **Foreign Application Priority Data**

Jul. 29, 2019 (CN) 201930405277.6

(51) **LOC (13) Cl.** **21-02**

(52) **U.S. Cl.**
USPC **D21/763**

(58) **Field of Classification Search**
USPC D21/419, 421, 423, 426, 760, 765, 766,
D21/769, 771, 776, 803; D12/1
CPC A63C 17/01; A63C 17/12; A63C 2203/00;
A63C 2203/011; A63C 2203/012; A63C
2203/013; A63C 2203/40; A63C 2203/52;
B62D 51/02; B62K 2202/00; B62K
2207/00; B62K 2207/02; B62K 2207/04
See application file for complete search history.

(56) **References Cited**

U.S. PATENT DOCUMENTS

D824,803 S * 8/2018 Ying D12/1
D826,777 S * 8/2018 Ying D12/1

D840,872 S * 2/2019 Desberg D12/1
D842,167 S * 3/2019 Ying D12/1
D854,091 S * 7/2019 Ying D21/314
D854,447 S * 7/2019 Ying D12/1
D902,077 S * 11/2020 Wang D12/1
2017/0166278 A1* 6/2017 Lu B60K 1/04
2017/0233023 A1* 8/2017 Chen B62K 11/007
280/63
2019/0092387 A1* 3/2019 Ying B62D 51/02
2020/0346099 A1* 11/2020 Li A63C 17/0093

* cited by examiner

Primary Examiner — Cynthia M. Chin

(74) *Attorney, Agent, or Firm* — JCIP Global Inc.

(57) **CLAIM**

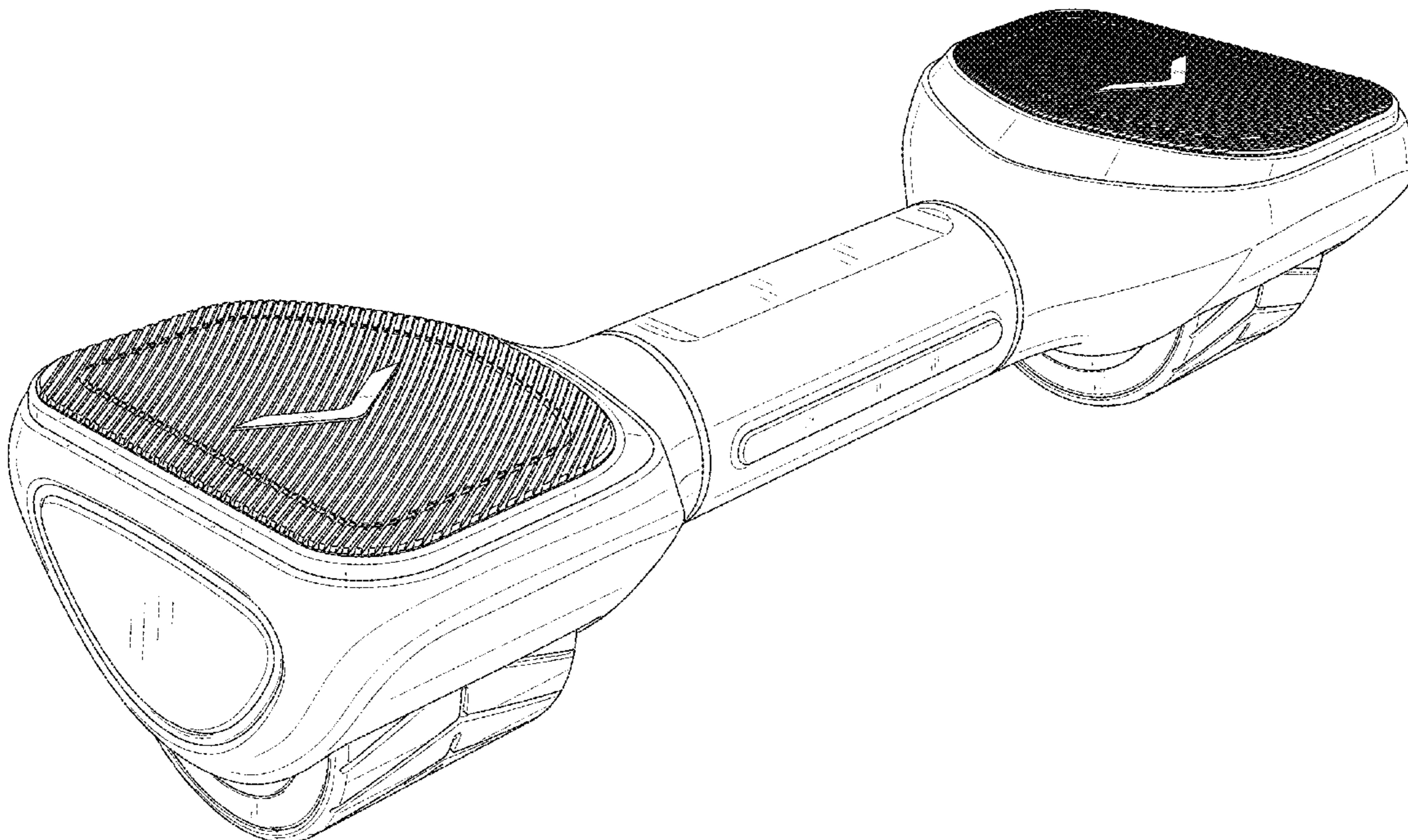
The ornamental design for a balance vehicle, as shown and described.

DESCRIPTION

FIG. 1 is a perspective view of a balance vehicle showing our new design;
FIG. 2 is a front view thereof;
FIG. 3 is a rear view thereof;
FIG. 4 is a left side view thereof;
FIG. 5 is a right side view thereof;
FIG. 6 is a top view thereof;
FIG. 7 is a bottom view thereof; and,
FIG. 8 is an enlarged partial view taken from the top left of FIG. 1.

The dash-dot broken line in FIG. 8 represents the boundary of the enlarged partial view and forms no part of the claimed design.

1 Claim, 7 Drawing Sheets



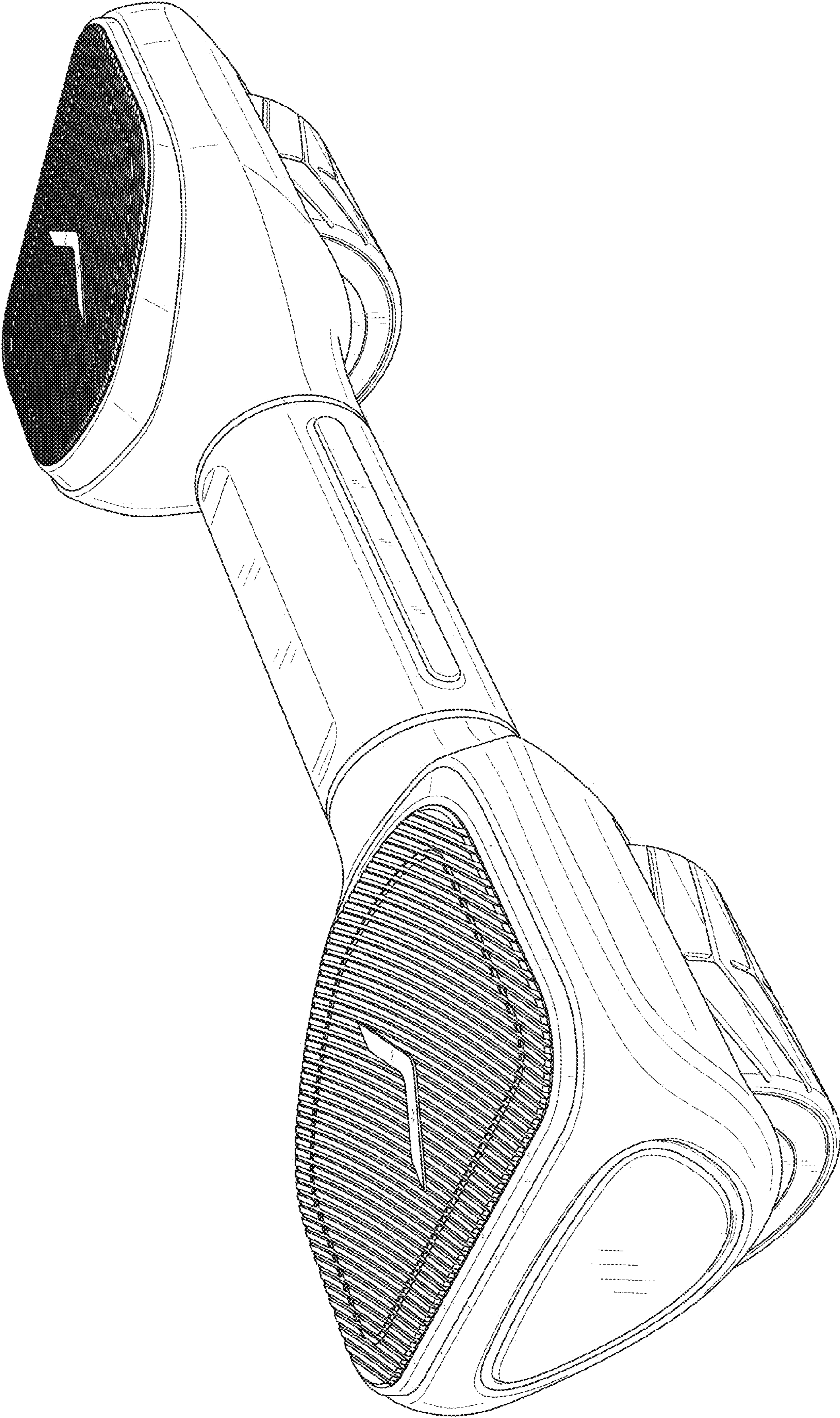


FIG. 1

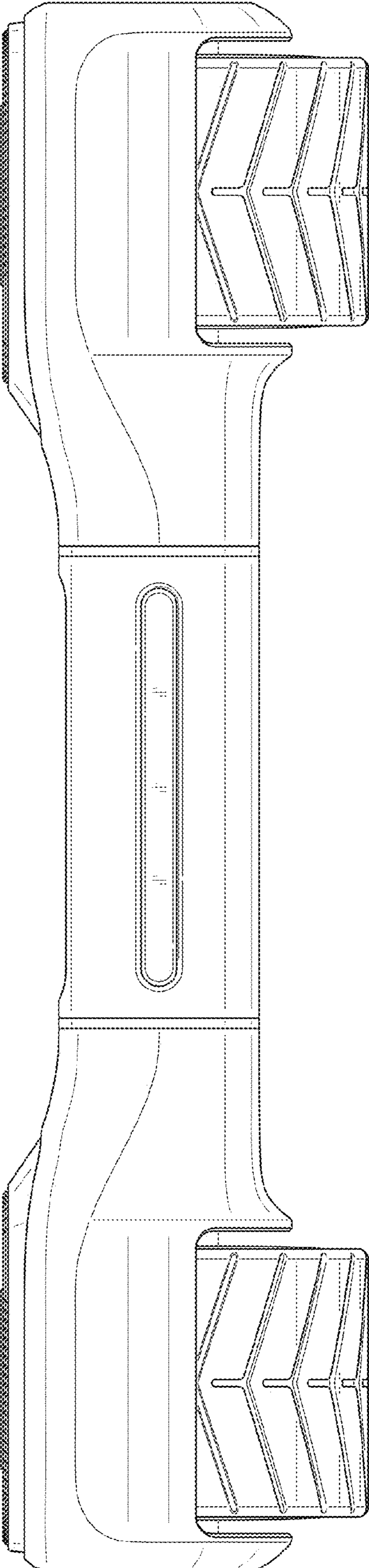


FIG. 2

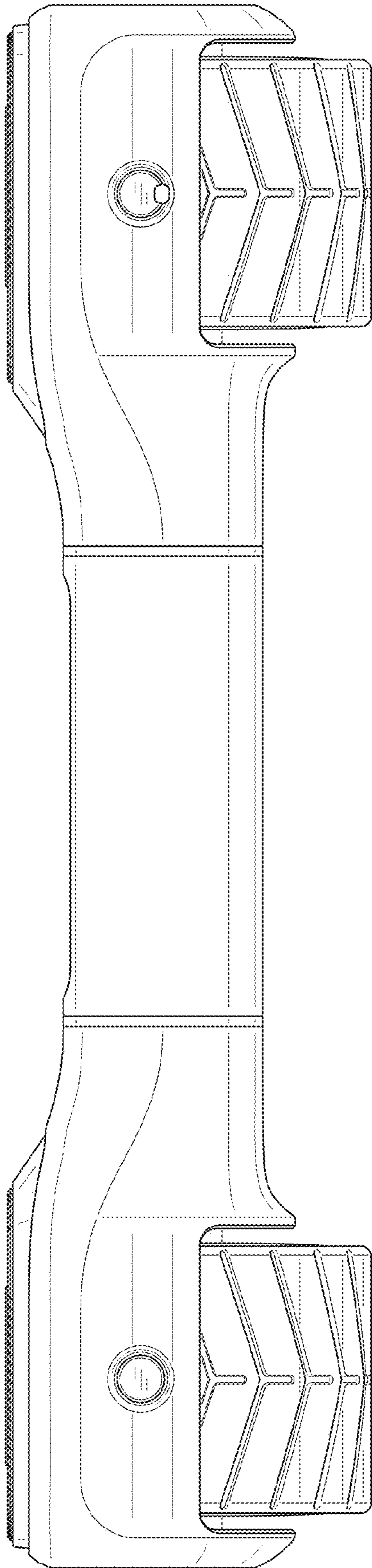


FIG. 3

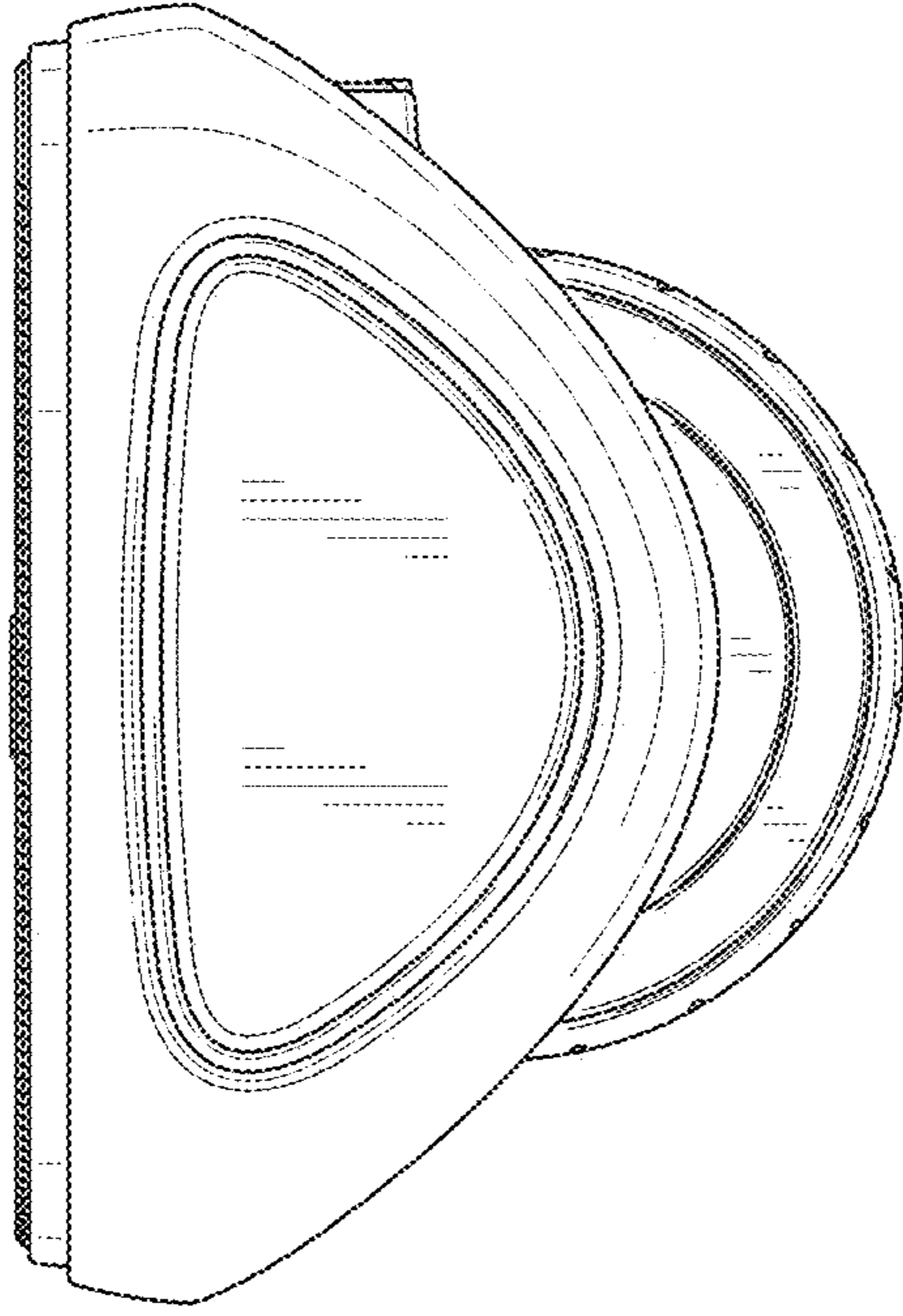


FIG. 5

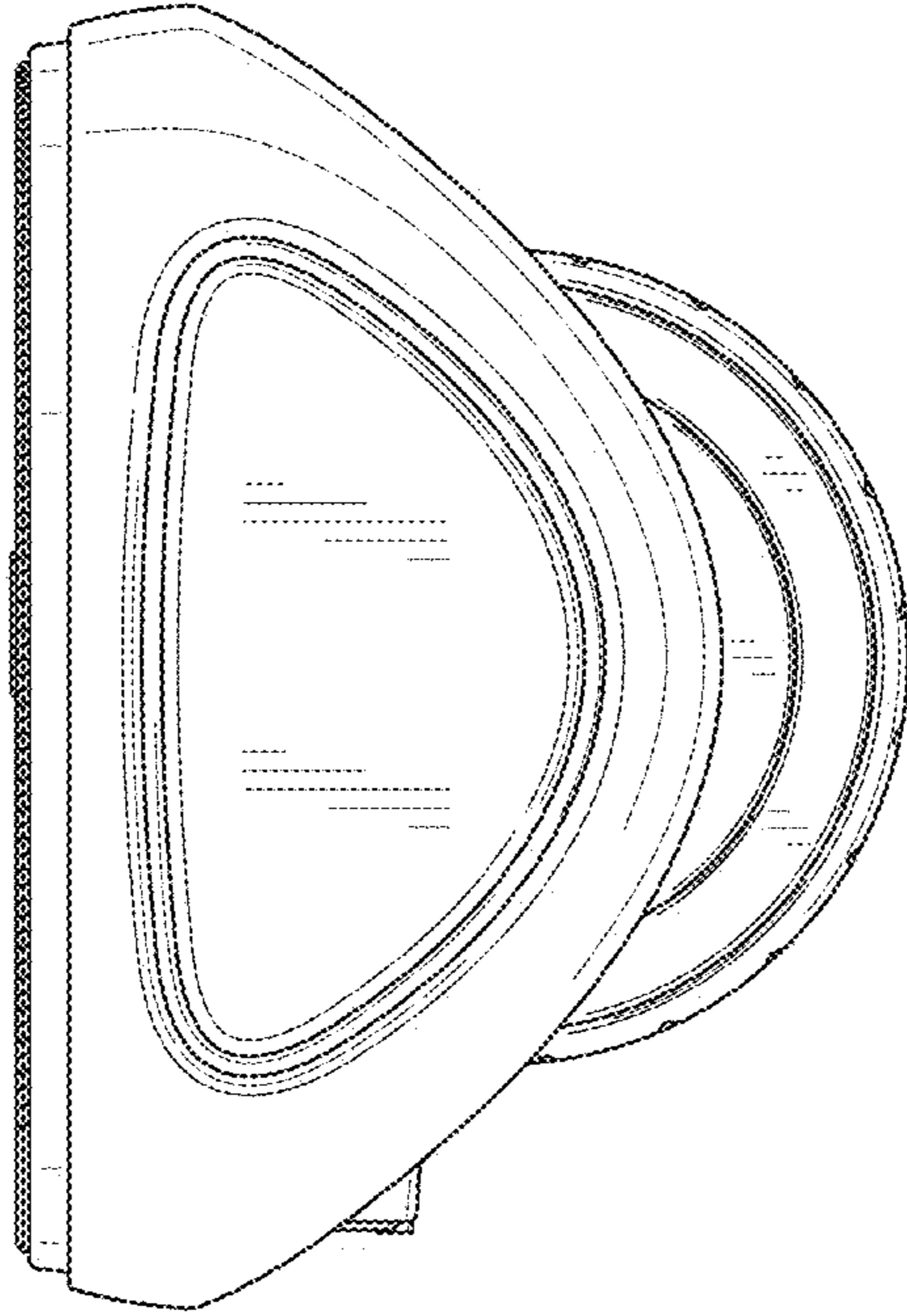


FIG. 4

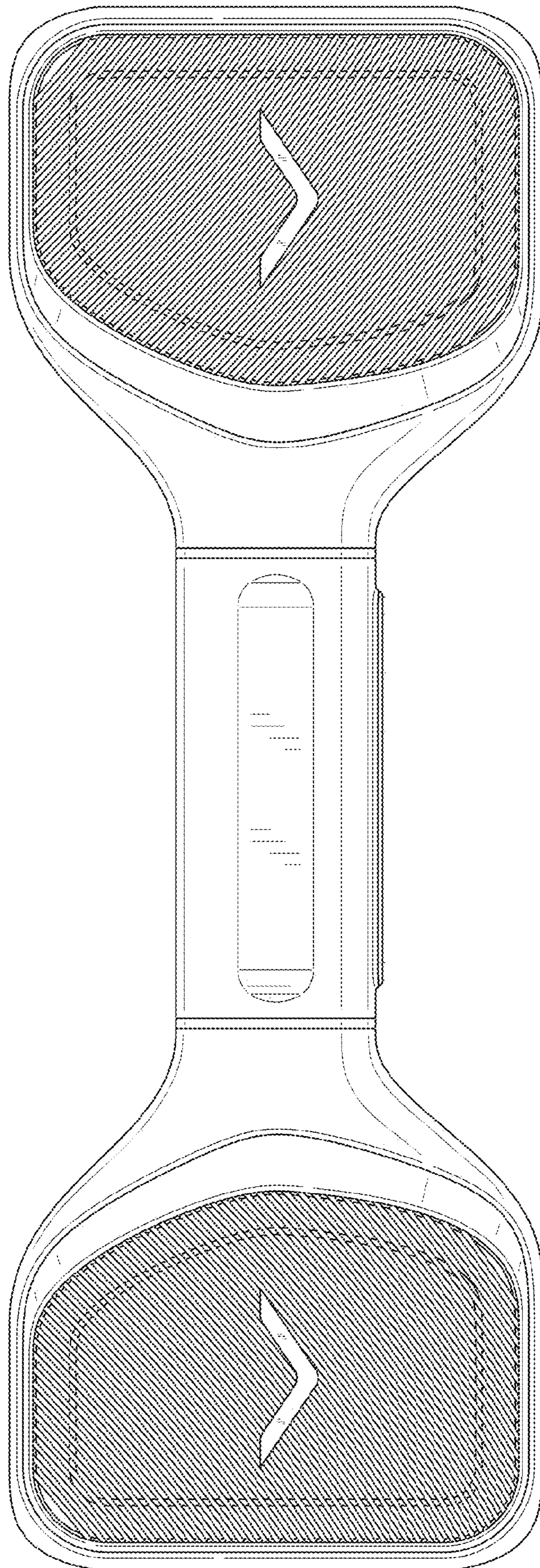


FIG. 6

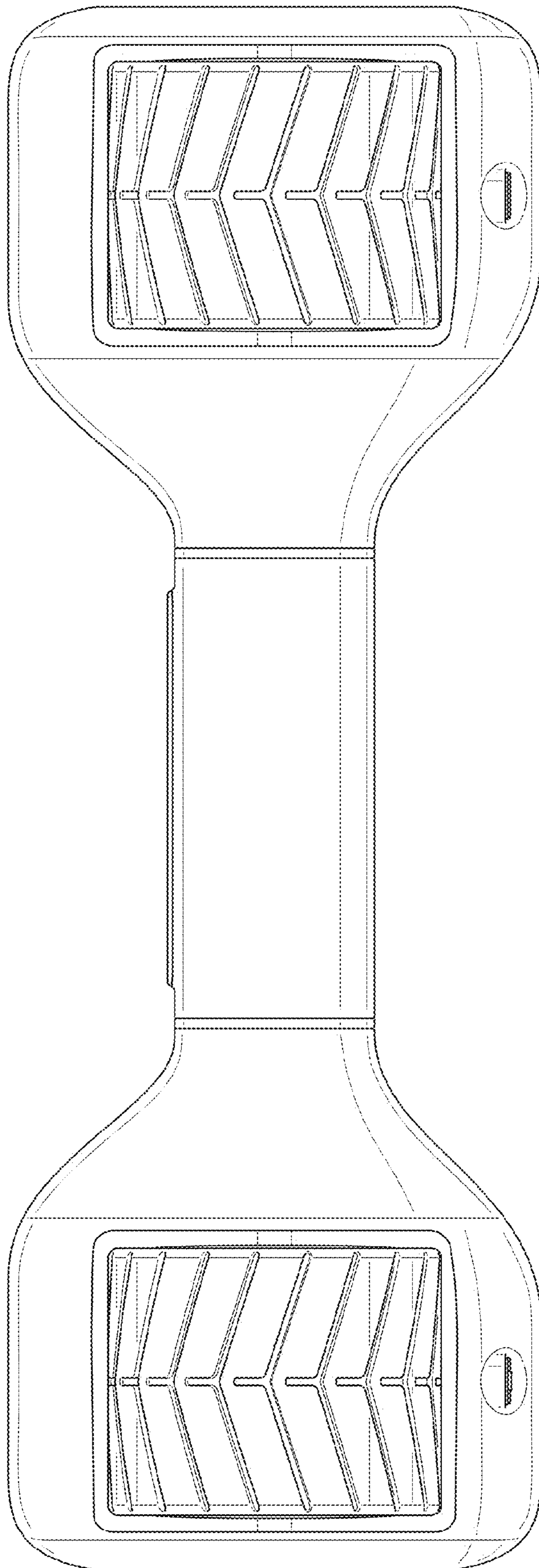


FIG. 7

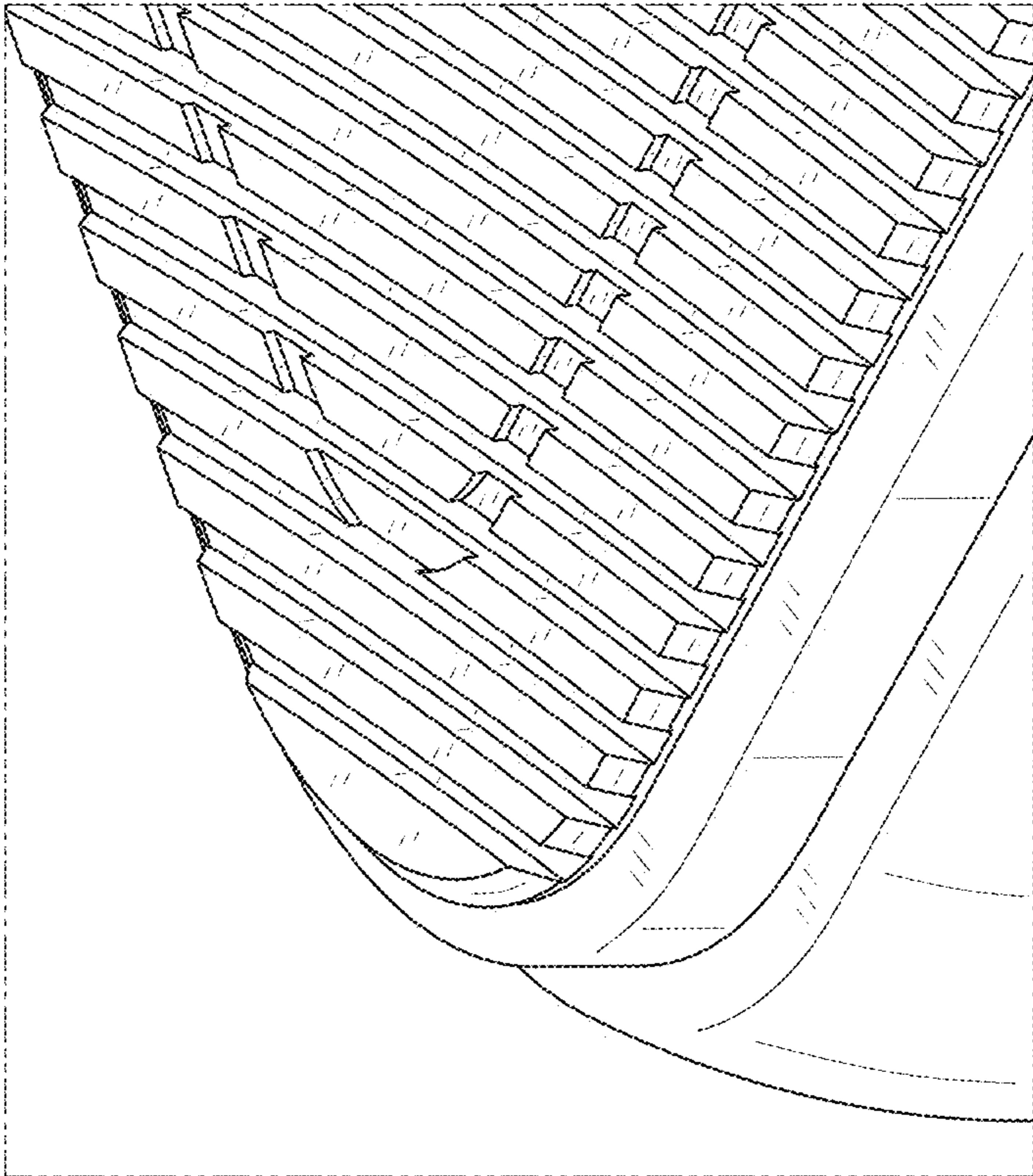


FIG. 8