



US00D911466S

(12) **United States Design Patent**
Dunahay

(10) **Patent No.:** **US D911,466 S**

(45) **Date of Patent:** **** *Feb. 23, 2021**

(54) **RACK**

(71) Applicant: **Coulter Ventures, LLC.**, Columbus, OH (US)

(72) Inventor: **Nash Dunahay**, Blacklick, OH (US)

(73) Assignee: **Coulter Ventures, LLC.**, Columbus, OH (US)

(*) Notice: This patent is subject to a terminal disclaimer.

(**) Term: **15 Years**

(21) Appl. No.: **29/734,295**

(22) Filed: **May 11, 2020**

Related U.S. Application Data

(63) Continuation of application No. 29/642,638, filed on Mar. 30, 2018, now Pat. No. Des. 884,096.

(51) **LOC (13) Cl.** **21-02**

(52) **U.S. Cl.**
USPC **D21/694**

(58) **Field of Classification Search**
USPC D21/662, 673, 679-682, 686, 690, 694;
D3/254, 261, 262; D6/552, 553, 572;
D12/406, 420; D8/367, 372
CPC A47B 81/00; B60R 9/08; A63B 21/078;
A63B 21/0783; A63B 21/0557
See application file for complete search history.

(56) **References Cited**

U.S. PATENT DOCUMENTS

4,108,313 A 8/1978 Bogar, Jr.
D267,632 S 1/1983 French
D276,830 S 12/1984 Petersson
D310,446 S 9/1990 Elkins

4,991,723 A 2/1991 Elkins
D331,463 S 12/1992 Rosenberg et al.
D337,466 S 7/1993 Moser
5,524,772 A 6/1996 Simmons
(Continued)

OTHER PUBLICATIONS

Product listing for Rogue Monster J-Cups from<https://web.archive.org/web/20160825212705/http://www.roguefitness.com:80/rogue-monster-j-cups>, dated Aug. 25, 2016.

(Continued)

Primary Examiner — Shannon W Morgan

Assistant Examiner — Keith Frank

(74) *Attorney, Agent, or Firm* — Banner & Witcoff, Ltd.

(57) **CLAIM**

The ornamental design for a rack, as shown and described.

DESCRIPTION

FIG. 1 is a top, front, left perspective view of a rack showing my new design;

FIG. 2 is a front view thereof;

FIG. 3 is a rear view thereof;

FIG. 4 is a left side view of a first side-member thereof;

FIG. 5 is a right side view of the first side-member thereof;

FIG. 6 is a right side view of a second side-member thereof;

FIG. 7 is a left side view of the second side-member thereof;

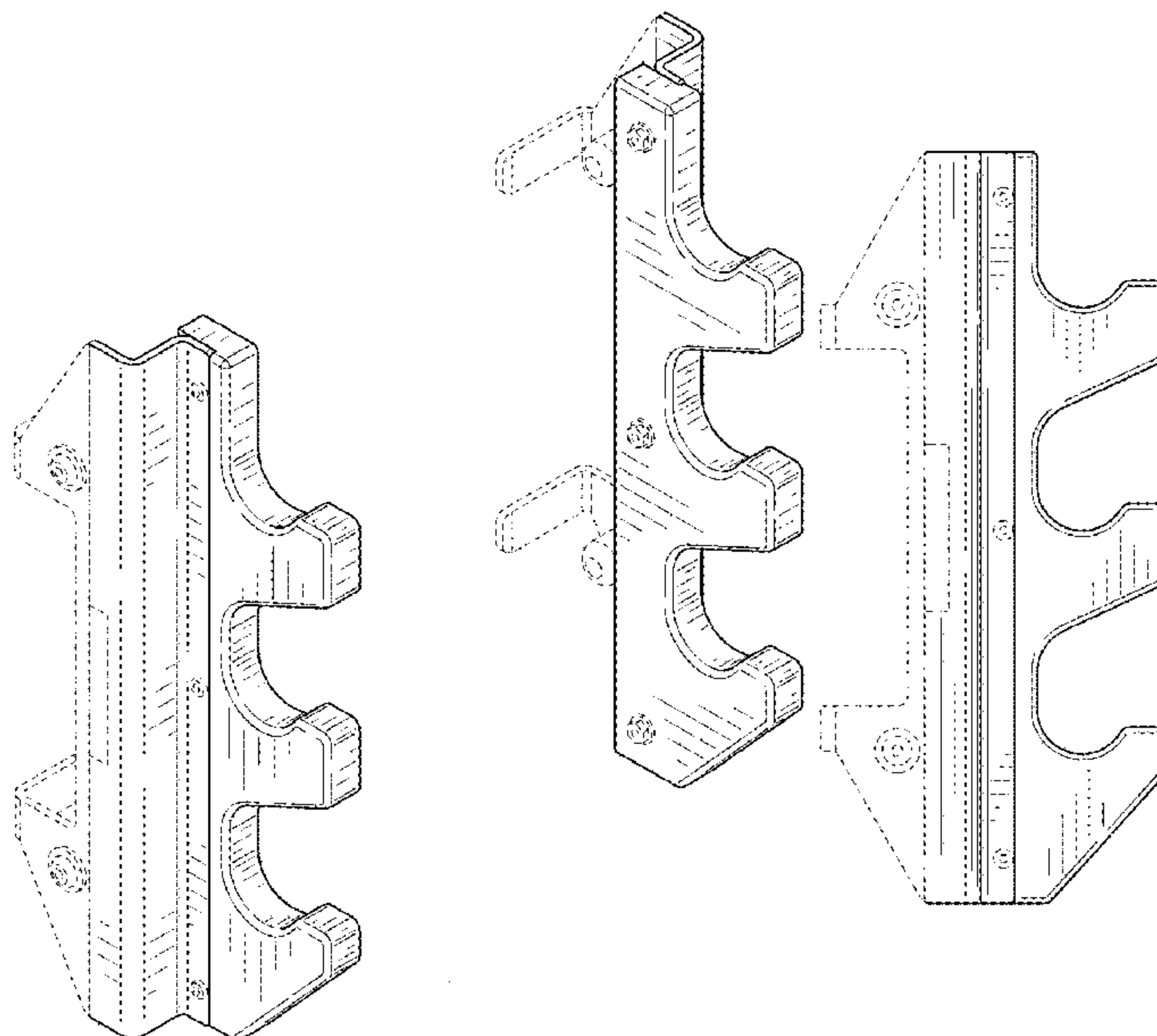
FIG. 8 is a top view thereof;

FIG. 9 is a bottom view thereof; and,

FIG. 10 is a top, front, right perspective view thereof.

The even-length broken lines depicting the remainder of the rack show features that form no part of the claimed design. The unshaded surfaces within the broken line rectangle form no part of the claimed design. The uneven-length broken lines immediately adjacent to the shaded areas define the boundary lines of the claimed design and form no part thereof.

1 Claim, 7 Drawing Sheets



(56)

References Cited

U.S. PATENT DOCUMENTS

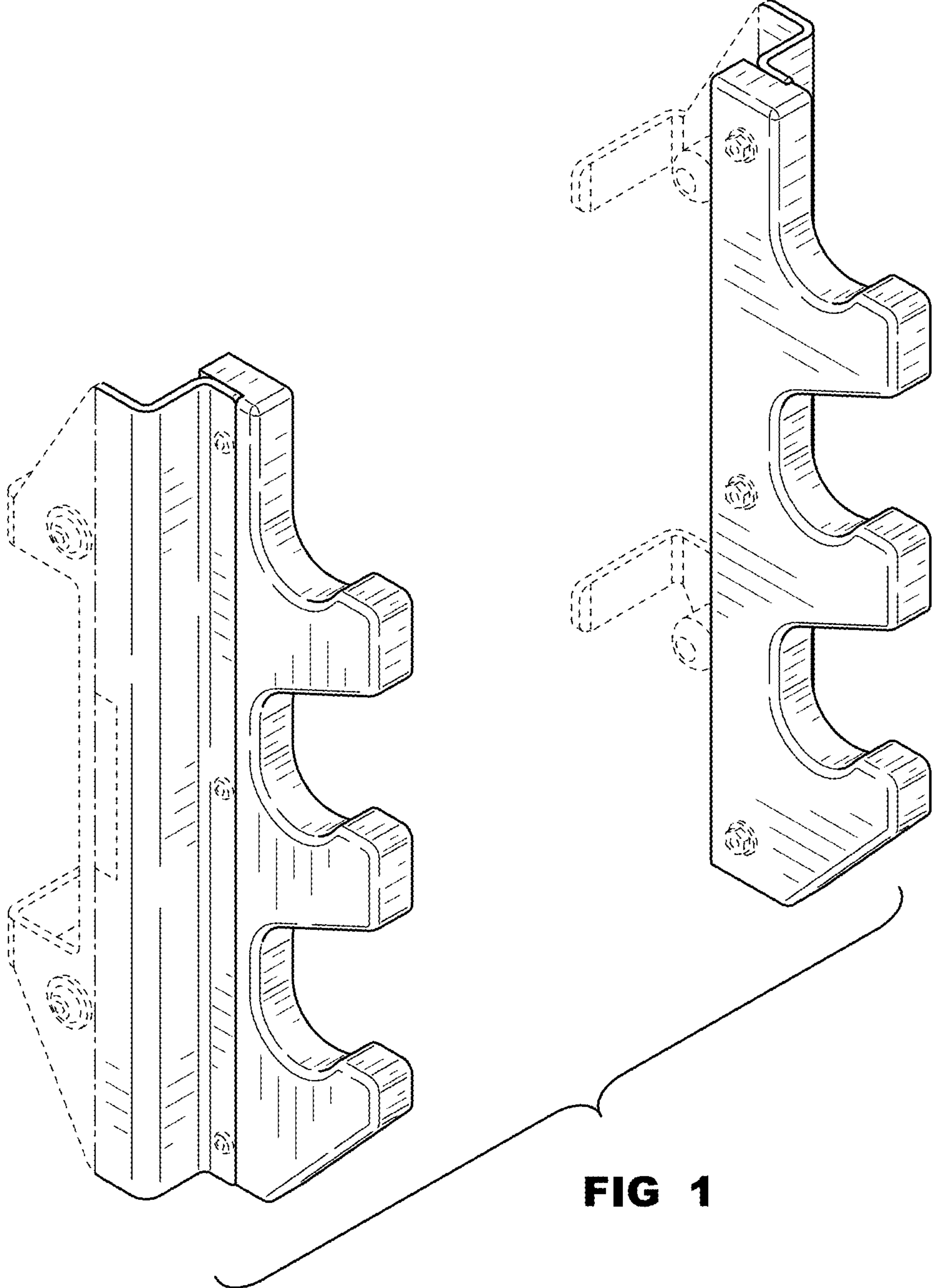
5,884,912 A 3/1999 Ignatiev
 D410,706 S 6/1999 Toft
 D455,310 S 4/2002 Webber
 D459,200 S 6/2002 Zhao
 D459,202 S 6/2002 Dolan
 6,450,378 B1 9/2002 Miller
 D467,312 S 12/2002 Singtoroj
 D469,293 S 1/2003 Harms
 D469,294 S 1/2003 Harms et al.
 D550,793 S 9/2007 Rogers et al.
 D552,691 S 10/2007 Tak
 D557,541 S 12/2007 Corbell
 D564,865 S 3/2008 Johnson
 D565,927 S 4/2008 Krumpe
 D568,715 S 5/2008 Gustafson et al.
 D583,880 S 12/2008 Slater et al.
 D587,104 S 2/2009 McCammon
 D590,032 S * 4/2009 Webber D21/673
 D591,206 S 4/2009 Donner
 D592,255 S 5/2009 Tak
 D601,402 S 10/2009 Jackson
 D615,135 S 5/2010 Thorsen
 D615,605 S 5/2010 Frasco et al.
 D618,938 S * 7/2010 Nielsen D6/553
 D651,025 S * 12/2011 Roth D6/678.2
 8,808,151 B1 8/2014 Whaley
 8,833,570 B2 * 9/2014 Hoppus B23P 17/04
 211/63
 8,998,782 B1 4/2015 Nelson
 D739,477 S 9/2015 Simonds et al.
 D757,613 S 5/2016 Amidon
 D768,028 S 10/2016 Ling et al.
 D770,803 S * 11/2016 Parsons D6/562
 D772,356 S * 11/2016 Orenstein D21/686
 D780,558 S 3/2017 Mouthaan
 D780,930 S 3/2017 Neel et al.
 D781,385 S 3/2017 Flick et al.
 D783,741 S * 4/2017 Moschel D21/690

D785,107 S * 4/2017 Moschel D21/690
 D785,732 S * 5/2017 Moschel D21/690
 D788,234 S * 5/2017 Gregory D21/686
 D796,590 S 9/2017 Crevits
 D798,128 S 9/2017 Breeden, III et al.
 9,782,000 B2 * 10/2017 Kahle A47B 81/005
 D806,808 S * 1/2018 Gregory D21/686
 D807,446 S 1/2018 Meredith et al.
 D829,076 S 9/2018 Dulley et al.
 10,206,502 B2 * 2/2019 Nye A47B 81/005
 D852,291 S * 6/2019 Meredith D21/694
 D857,132 S 8/2019 Dube
 D884,095 S * 5/2020 Dunahay D21/694
 2005/0113225 A1 5/2005 Dovner et al.
 2005/0133473 A1 6/2005 Lesperance
 2010/0130335 A1 5/2010 Hoobler
 2013/0172157 A1 * 7/2013 Glickstein A63B 21/00047
 482/96
 2015/0069103 A1 3/2015 Fife
 2015/0083681 A1 3/2015 Childs
 2015/0126342 A1 5/2015 Kaye et al.
 2015/0126346 A1 5/2015 Kaye et al.
 2018/0193713 A1 7/2018 Lo
 2018/0333609 A1 11/2018 Zerbo et al.
 2019/0126087 A1 5/2019 Schmidt

OTHER PUBLICATIONS

Product listing for Rogue Monster Sandwich J-Cups from <https://web.archive.org/web/20160914012749/http://www.roguefitness.com:80/rogue-monster-sandwich-j-cups>, dated Sep. 14, 2016.
 Product listing for Titan Fitness Horizontal Wall Mounted 6 Barbell Gun Rack from <https://web.archive.org/web/20170831211533/https://www.titan.fitness/wall-mounted-6-barbell-gun-rack.html>, dated Aug. 31, 2017.
 Product listing for Rogue V2 Gun Rack from <https://web.archive.org/web/20161015145440/http://www.roguefitness.com:80/the-rogue-gun-rack>, dated Oct. 15, 2016.
 Internet Search URL <https://www.roguefitness.com/rogue-monster-keyhole-gun-rack>[Date Searched Dec. 3, 2019] (Year: 2019).

* cited by examiner



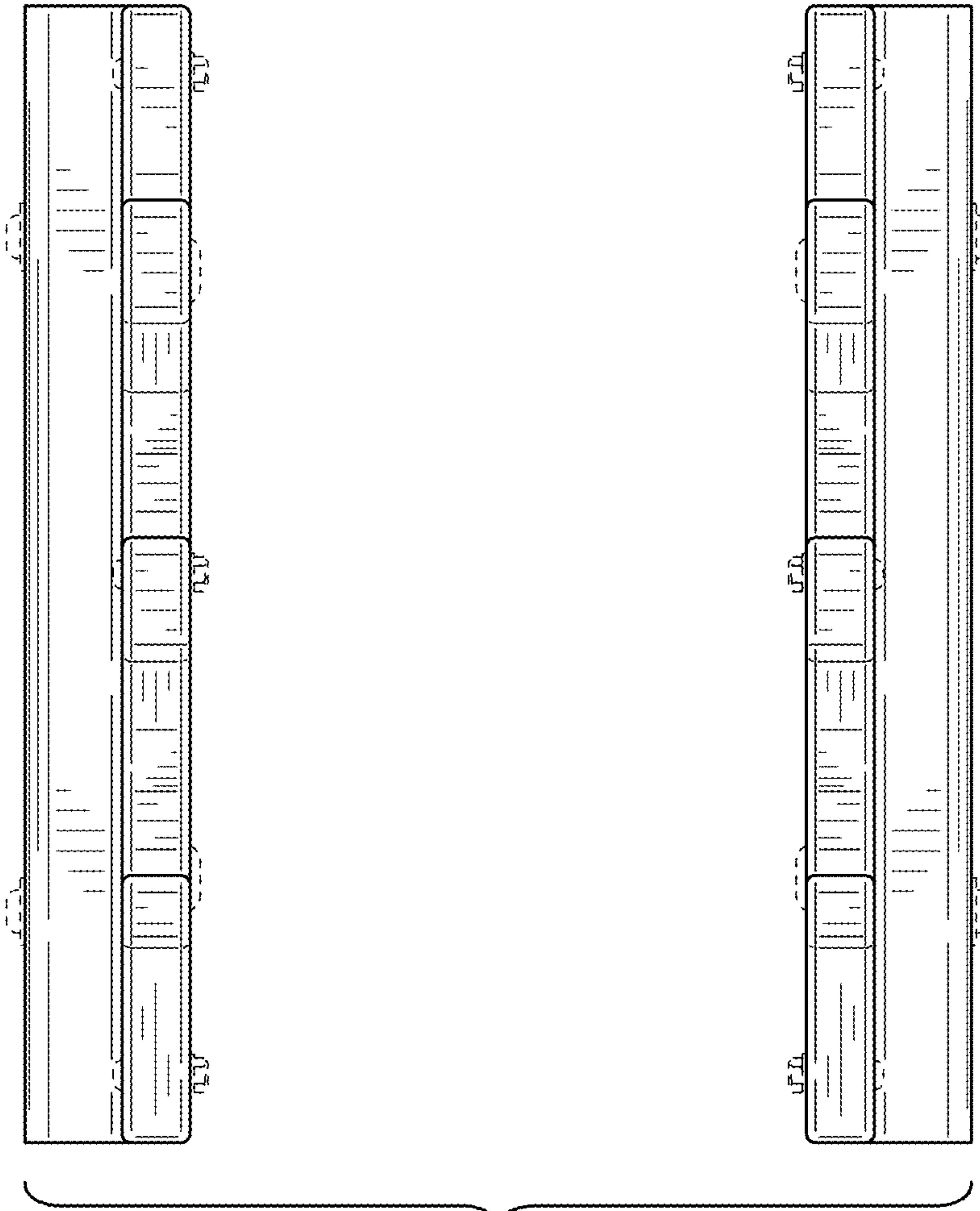


FIG 2

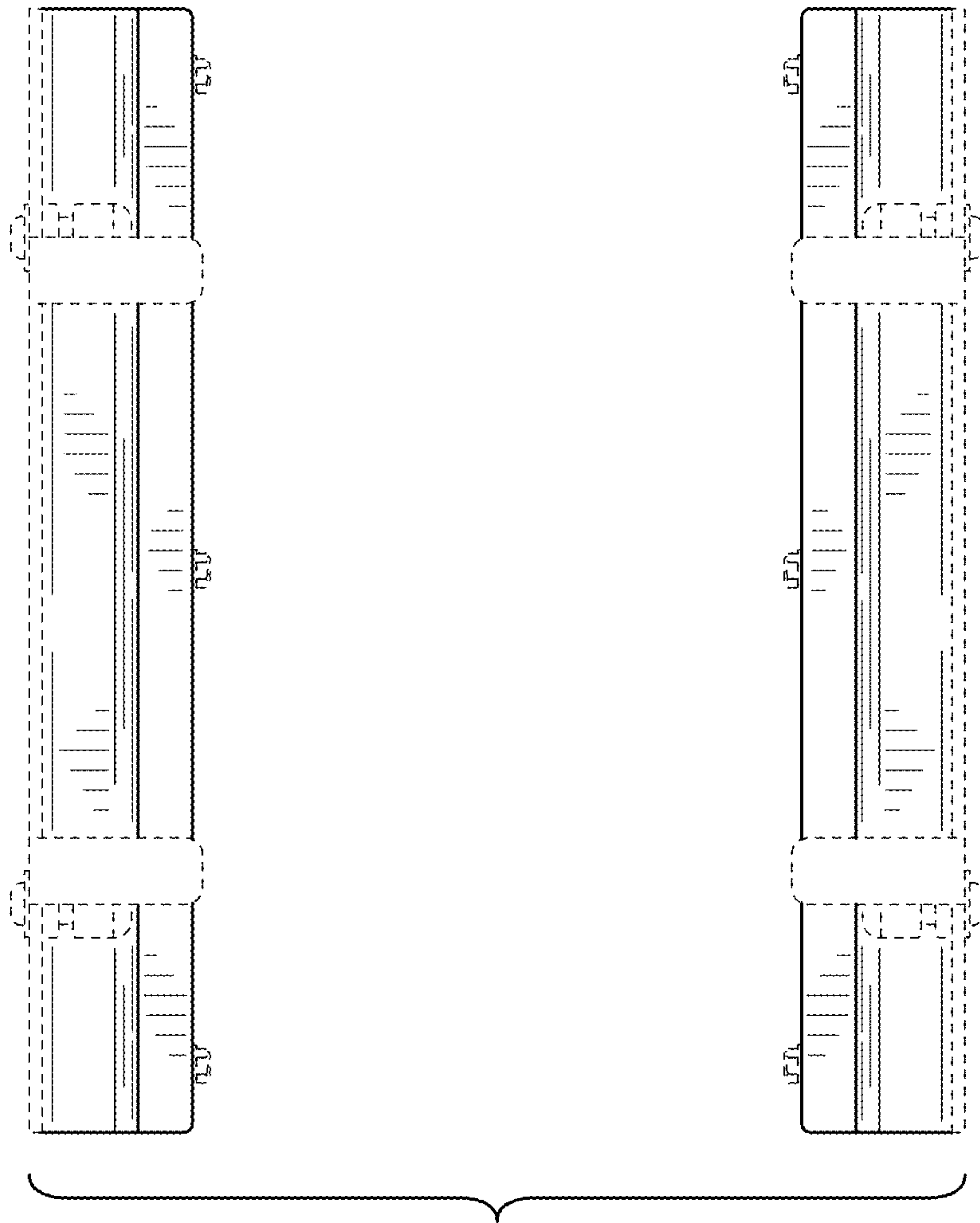


FIG. 3

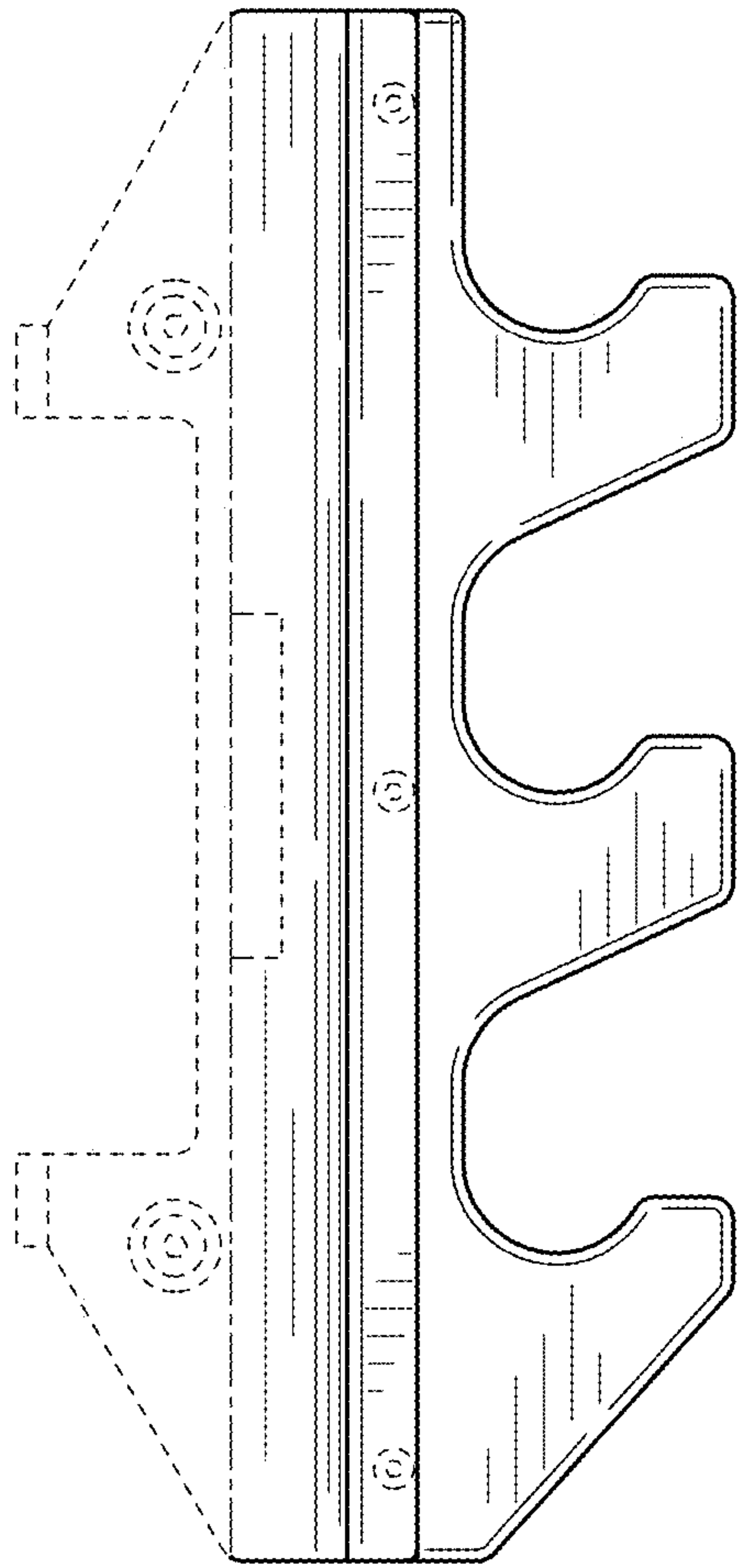


FIG 4

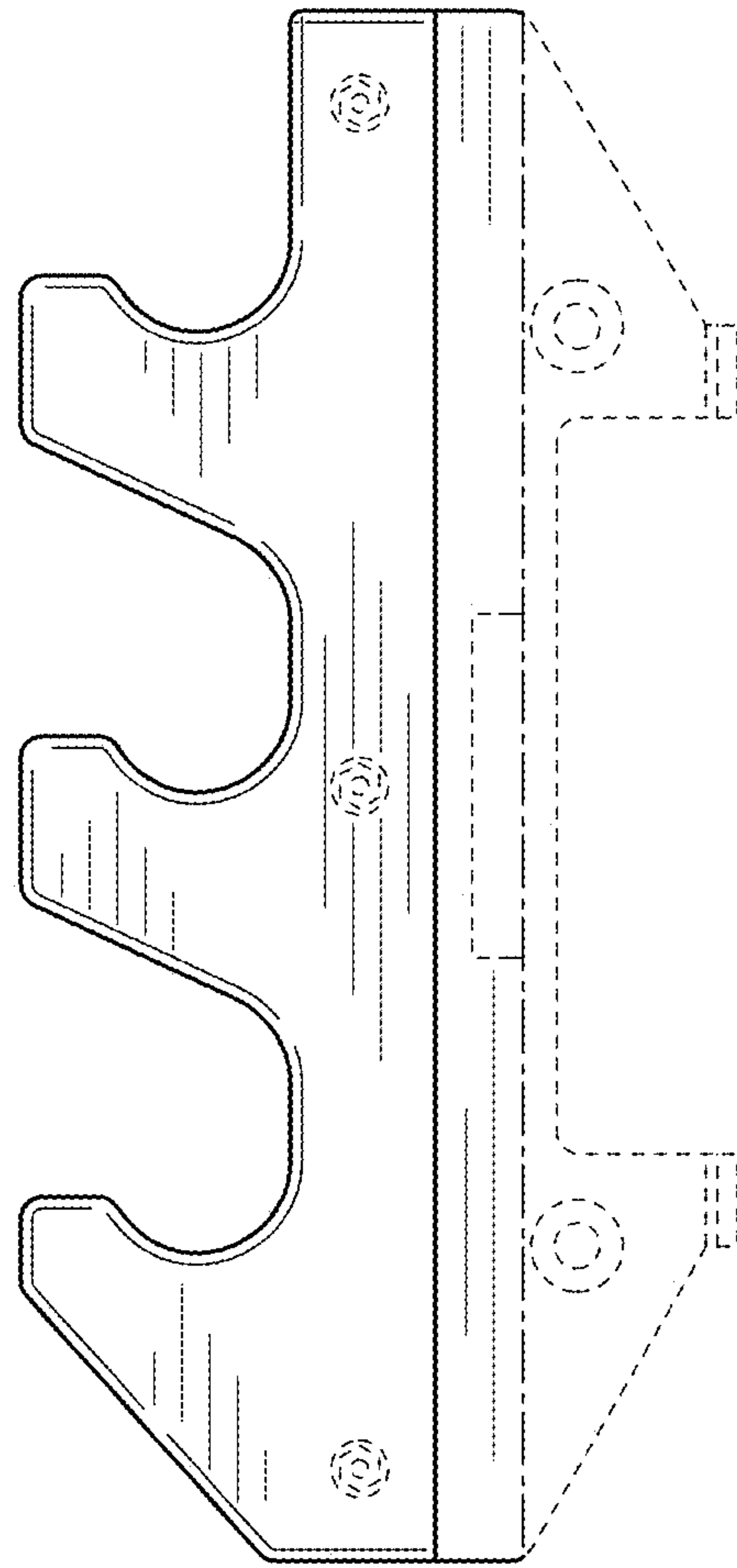


FIG 5

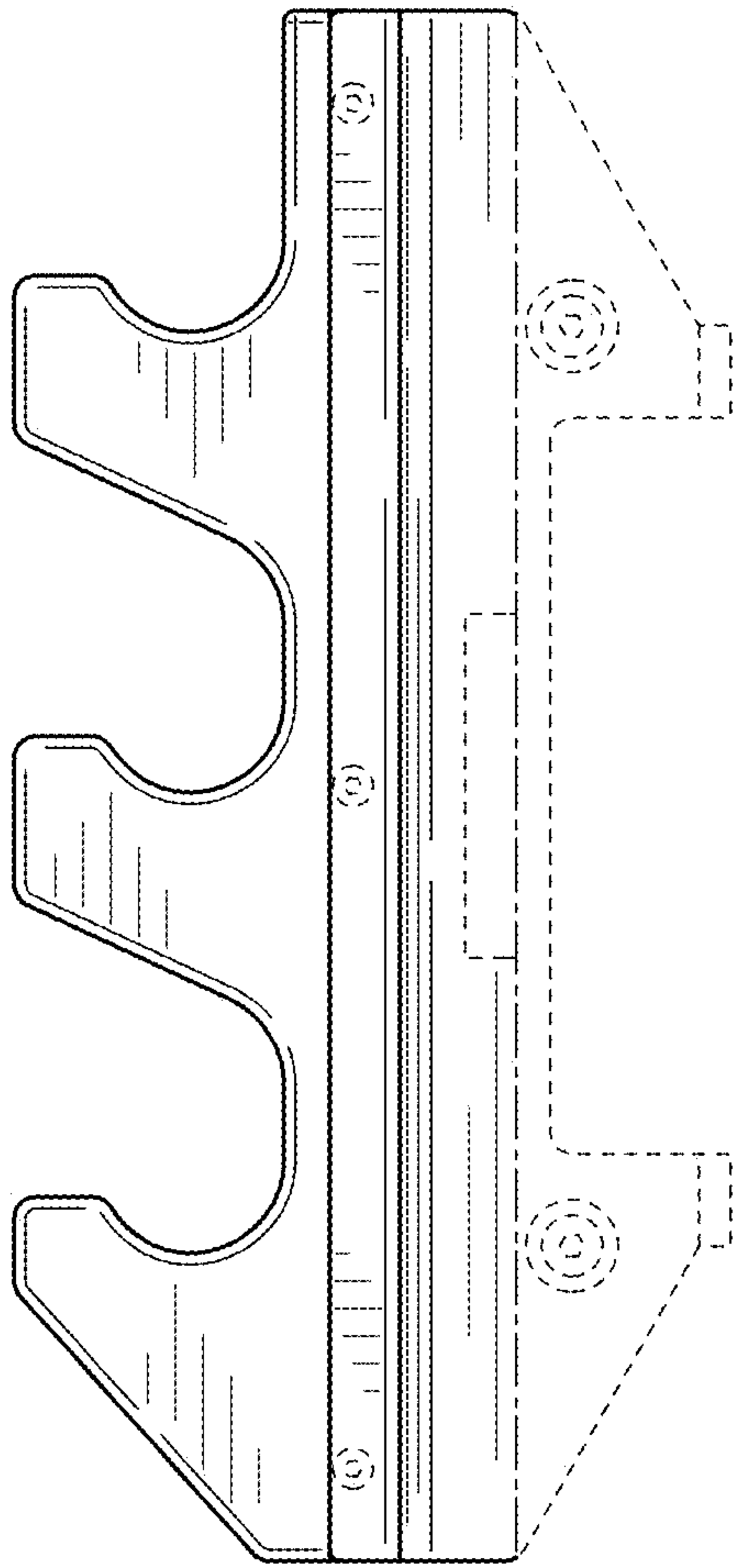


FIG 6

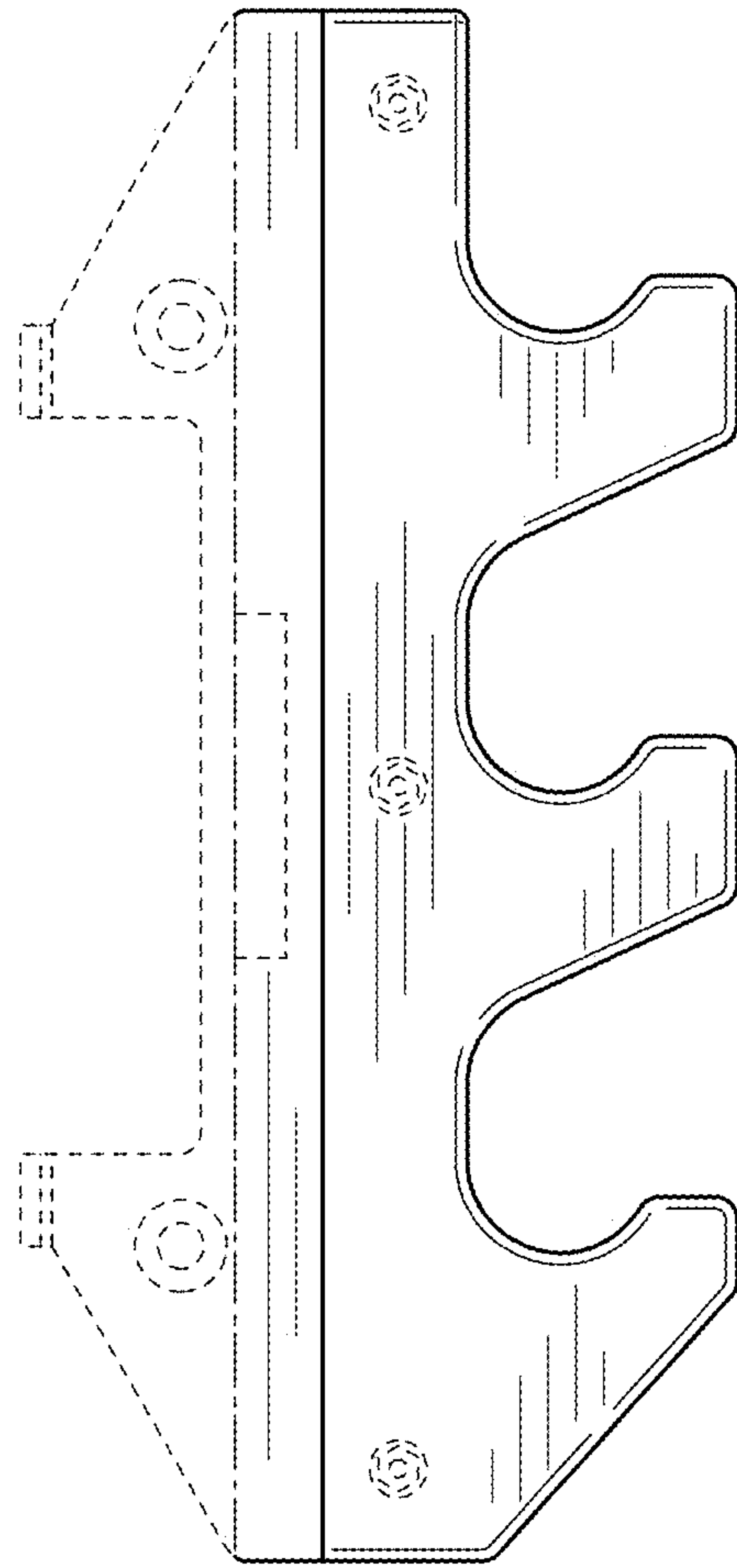


FIG 7

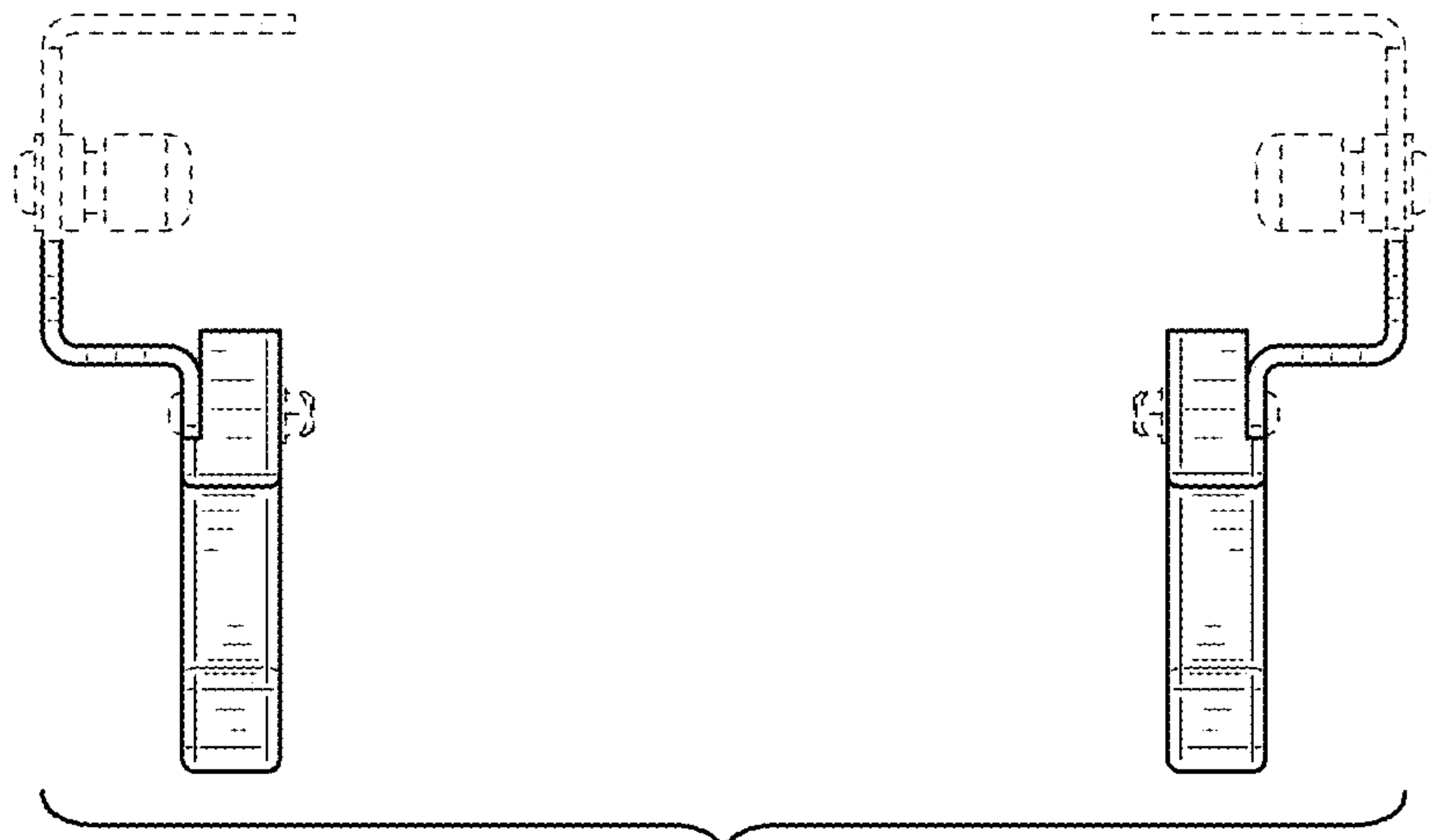


FIG 8

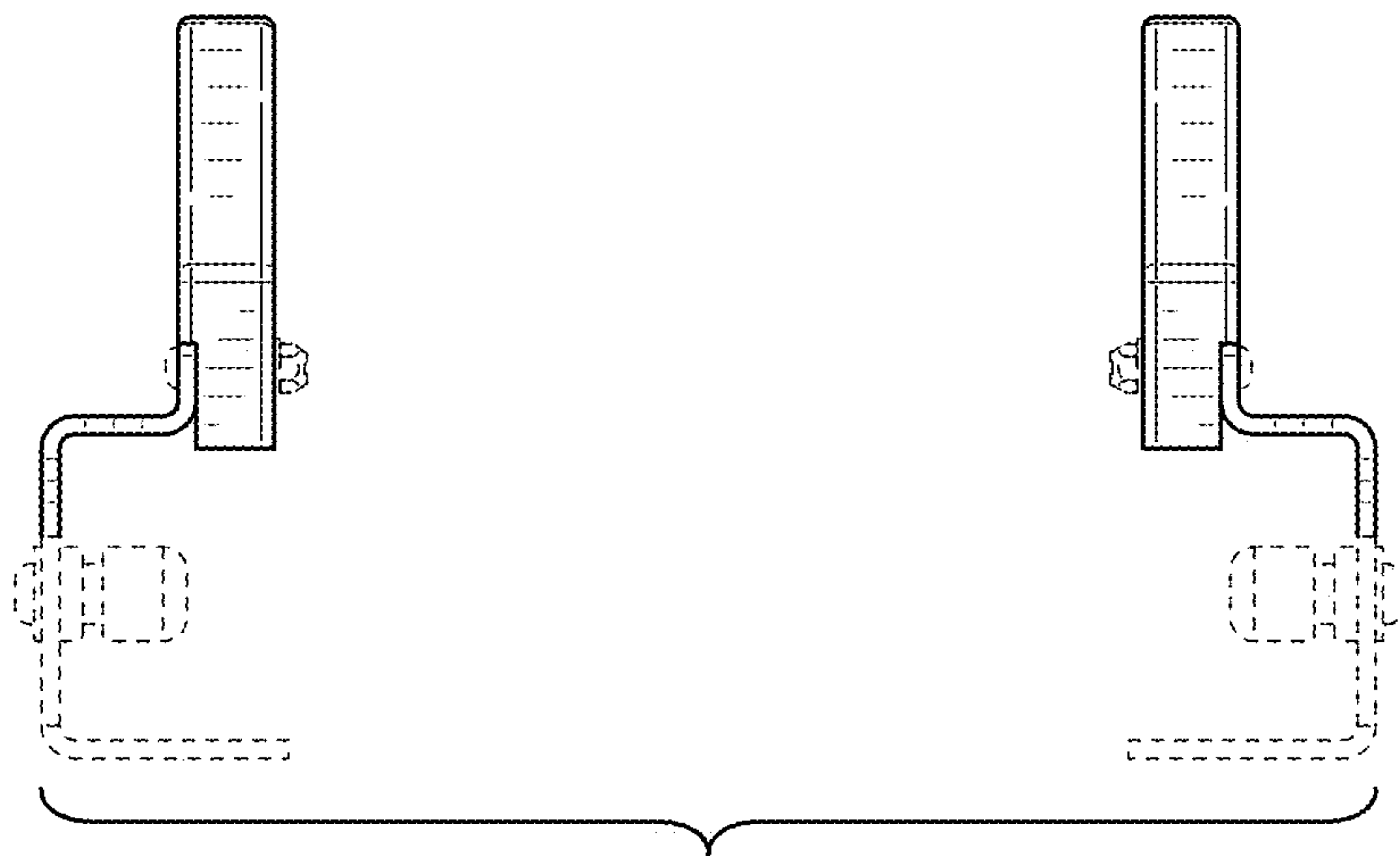


FIG 9

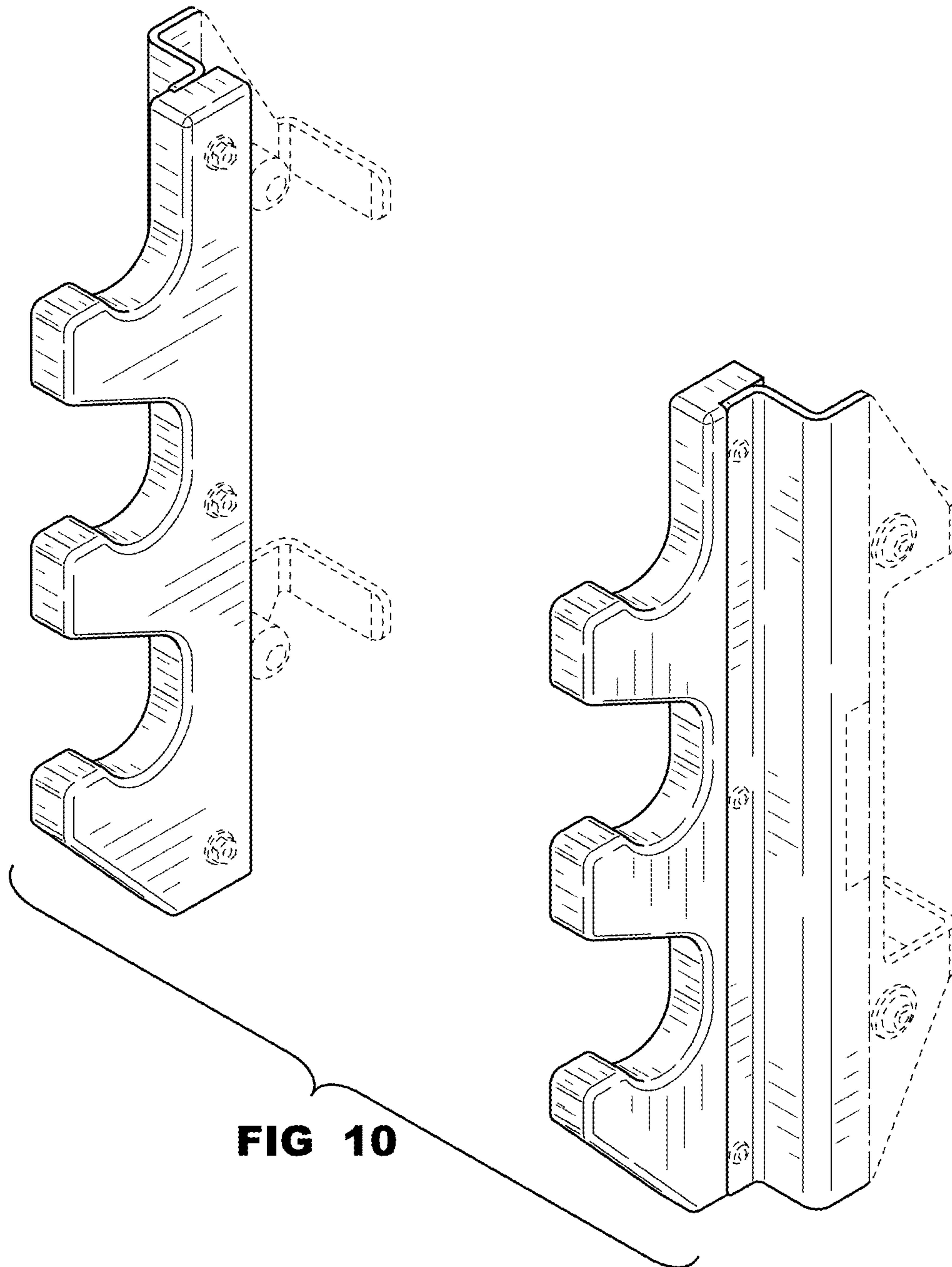


FIG 10