



US00D911464S

(12) **United States Design Patent** (10) **Patent No.:** **US D911,464 S**  
**Lu** (45) **Date of Patent:** **\*\* Feb. 23, 2021**

(54) **RESISTANCE BAND**

(71) Applicant: **Beijing Generation Great Wall Culture Media Co., Ltd., Beijing (CN)**

(72) Inventor: **Yongsheng Lu, Chaoyang (CN)**

(\*\*) Term: **15 Years**

(21) Appl. No.: **29/741,365**

(22) Filed: **Jul. 13, 2020**

(51) **LOC (13) Cl.** ..... **21-02**

(52) **U.S. Cl.**  
USPC ..... **D21/692**

(58) **Field of Classification Search**  
USPC ..... D21/679, 694, 692, 691, 680, 678, 662;  
D8/499, 300; D24/190; 482/91, 130,  
482/129, 126, 125, 124, 123, 122, 121  
CPC ..... A63B 21/4043; A63B 21/00061; A63B  
21/0004; A63B 21/0552; A63B 21/0557;  
A63B 21/0442; A63B 21/4035; A63B  
2210/50; A63B 2208/0204

See application file for complete search history.

(56) **References Cited**

**U.S. PATENT DOCUMENTS**

D256,821 S *	9/1980	Weider .....	D21/692
D383,810 S *	9/1997	Wilkinson .....	D21/662
D406,287 S *	3/1999	Carver .....	D21/662
7,175,574 B2 *	2/2007	Carmel .....	A63B 21/0004 482/124
D743,493 S *	11/2015	Smith .....	D21/662
D844,080 S *	3/2019	Young .....	D21/692
D861,804 S *	10/2019	Rios .....	D21/662
D872,200 S	1/2020	Antezana	
2007/0173383 A1 *	7/2007	Feigenbaum .....	A63B 21/1663 482/91

2012/0270706 A1 *	10/2012	Wu .....	A63B 21/4034 482/91
2014/0082891 A1 *	3/2014	Hetrick .....	A44B 11/04 24/115 H
2015/0141217 A1 *	5/2015	Young .....	A63B 23/03541 482/126
2015/0283420 A1 *	10/2015	Chang .....	A63B 23/1281 482/129
2017/0361150 A1 *	12/2017	Polinsky .....	A63B 21/16
2018/0178050 A1 *	6/2018	Prihar .....	A63B 23/12
2018/0318631 A1 *	11/2018	Siu .....	A63B 21/16

\* cited by examiner

*Primary Examiner* — Ryan Harvey

(74) *Attorney, Agent, or Firm* — ZANIP

(57) **CLAIM**

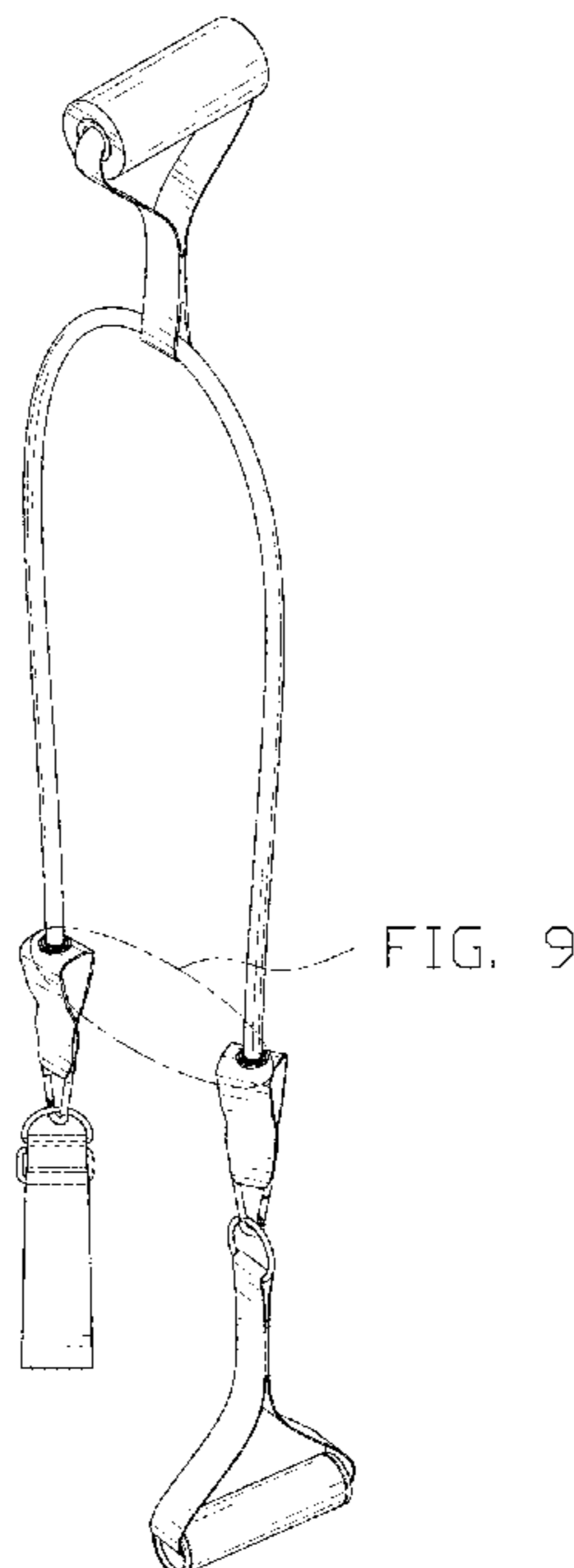
The ornamental design for a resistance band, as shown and described.

**DESCRIPTION**

FIG. 1 is a front and top perspective view of a resistance band, showing my new design;  
FIG. 2 is a rear and bottom perspective view thereof;  
FIG. 3 is a front elevational view thereof;  
FIG. 4 is a rear elevational view thereof;  
FIG. 5 is a left side elevational view thereof;  
FIG. 6 is a right side elevational view thereof;  
FIG. 7 is a top plan view thereof;  
FIG. 8 is a bottom plan view thereof; and,  
FIG. 9 is an enlarged view of a portion labeled, 'FIG. 9' in FIG. 1.

The dash dot dash lines in FIGS. 1 and 9 are for the purpose of depicting the cut line of the enlarged view and form no part of the claim.

**1 Claim, 9 Drawing Sheets**



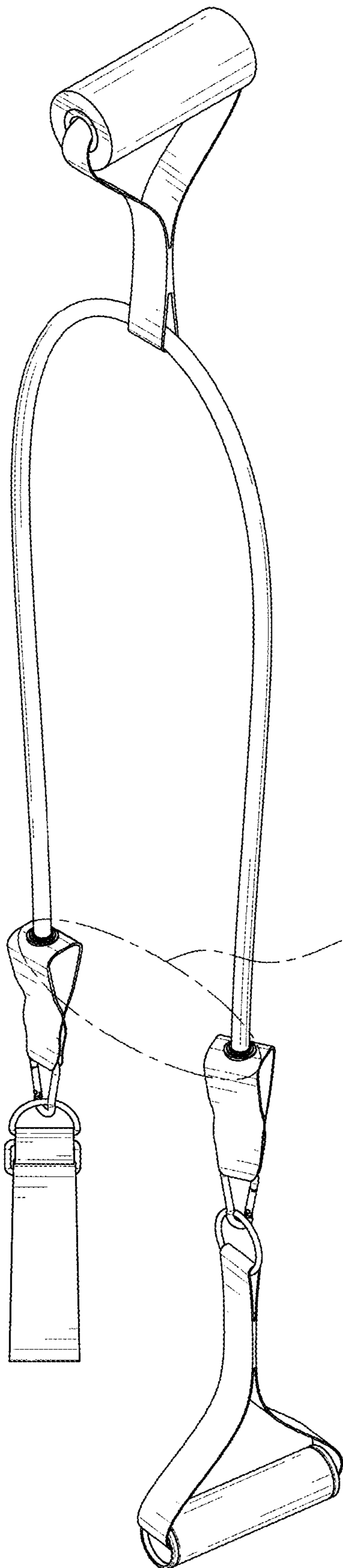


FIG. 9

FIG. 1

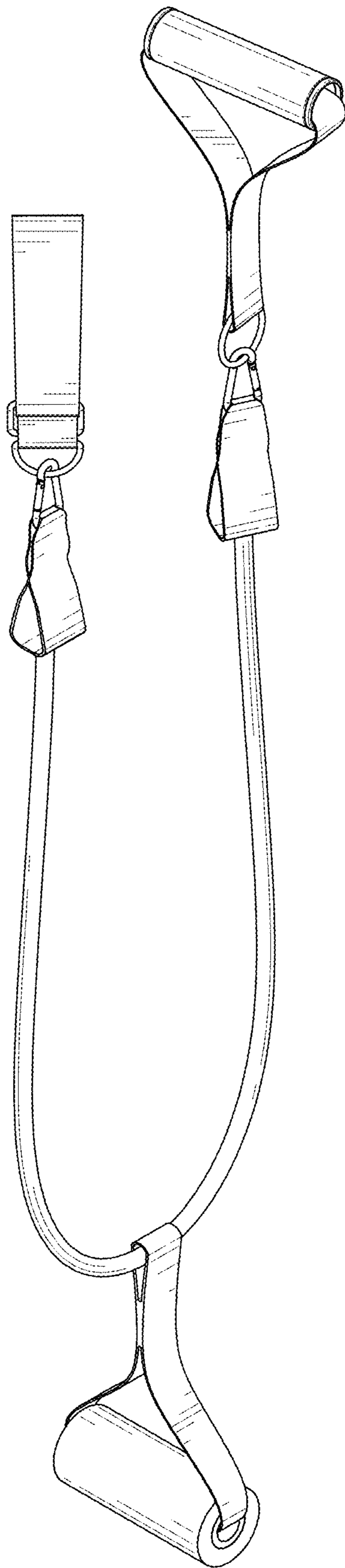


FIG. 2

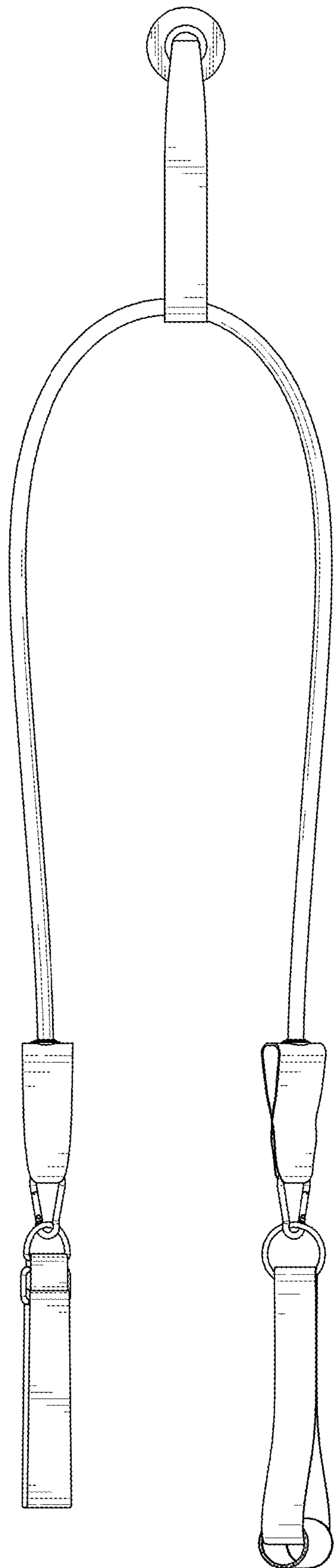


FIG. 3

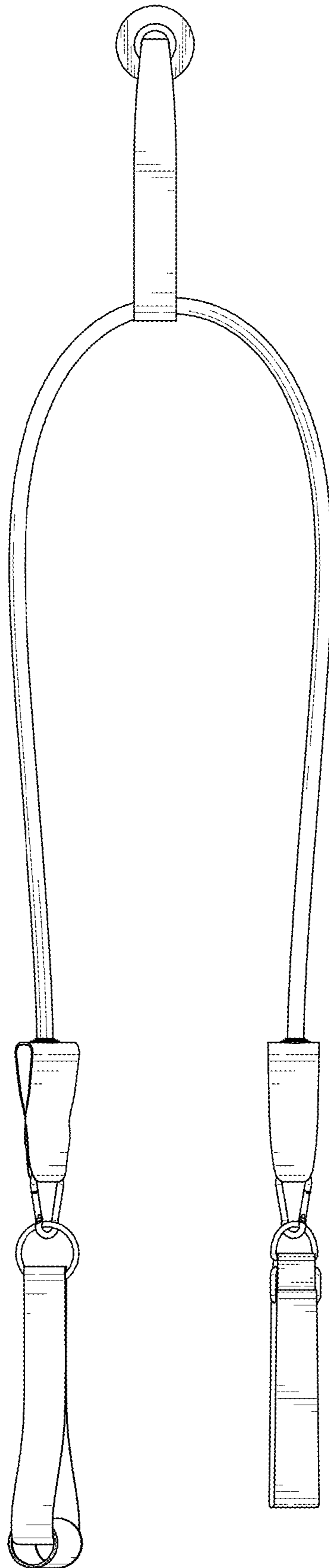


FIG. 4

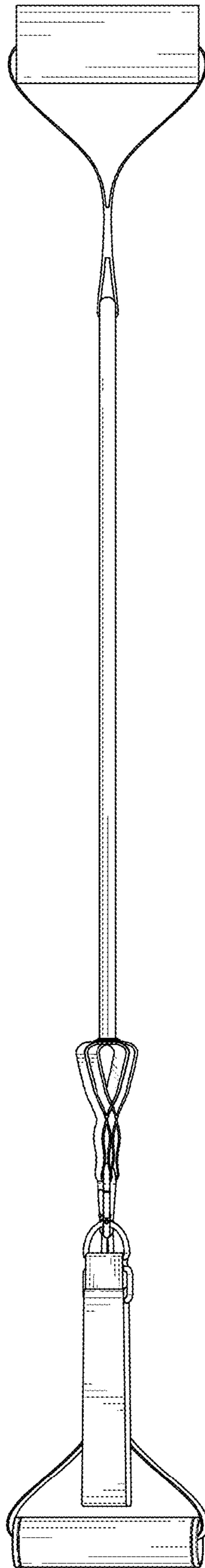


FIG. 5

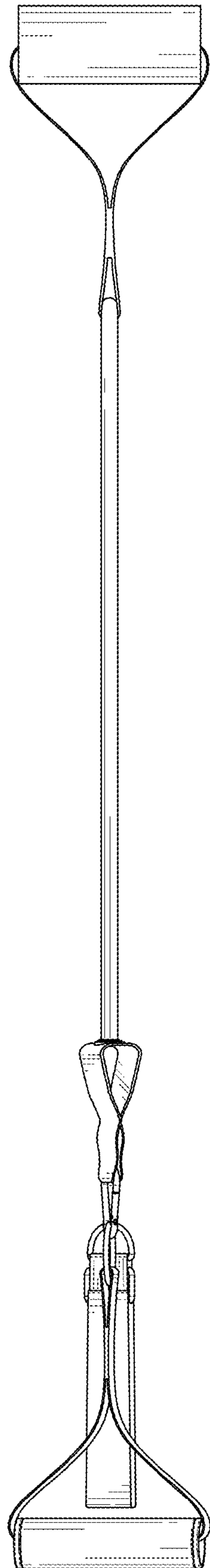


FIG. 6

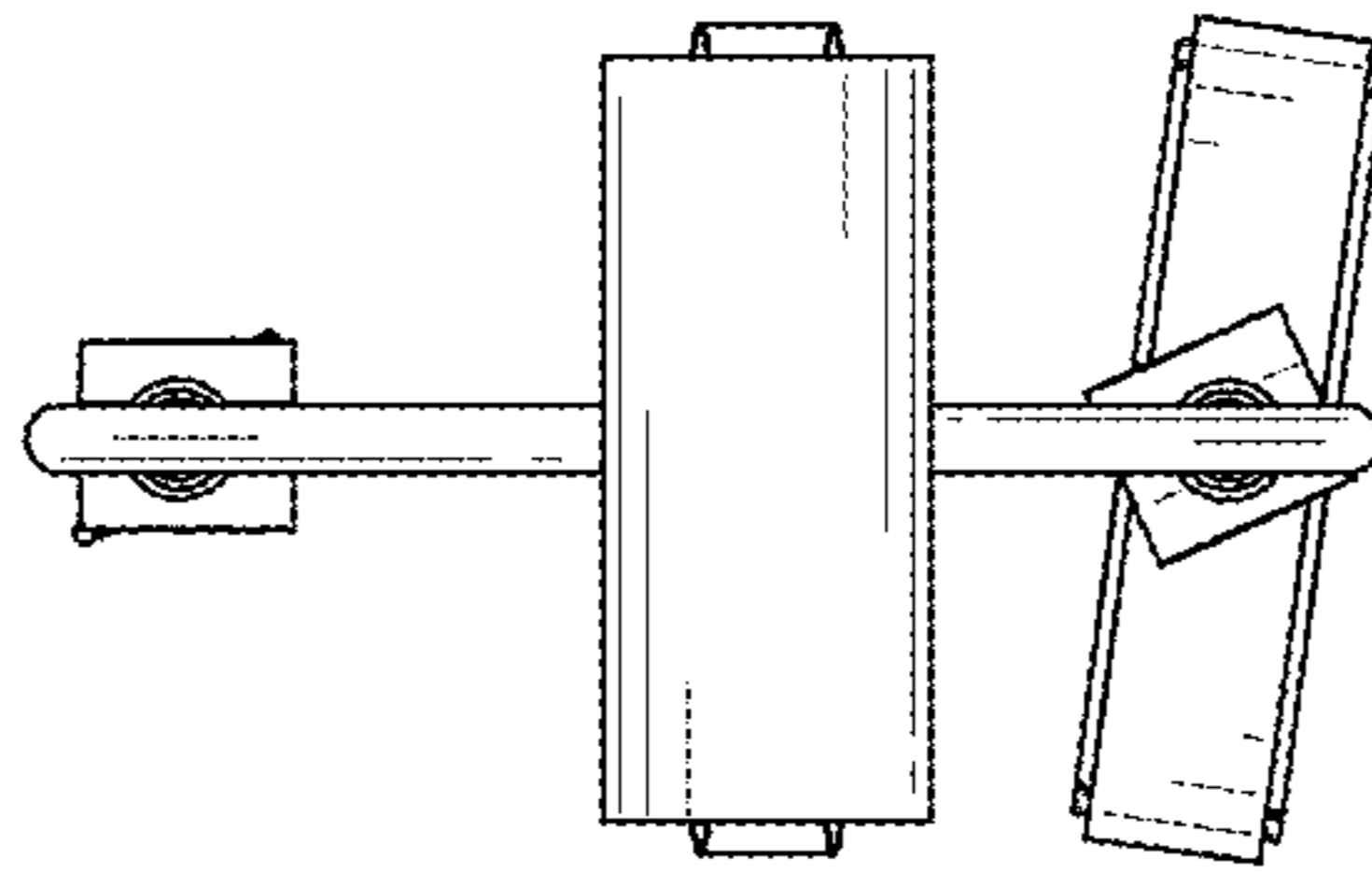


FIG. 7



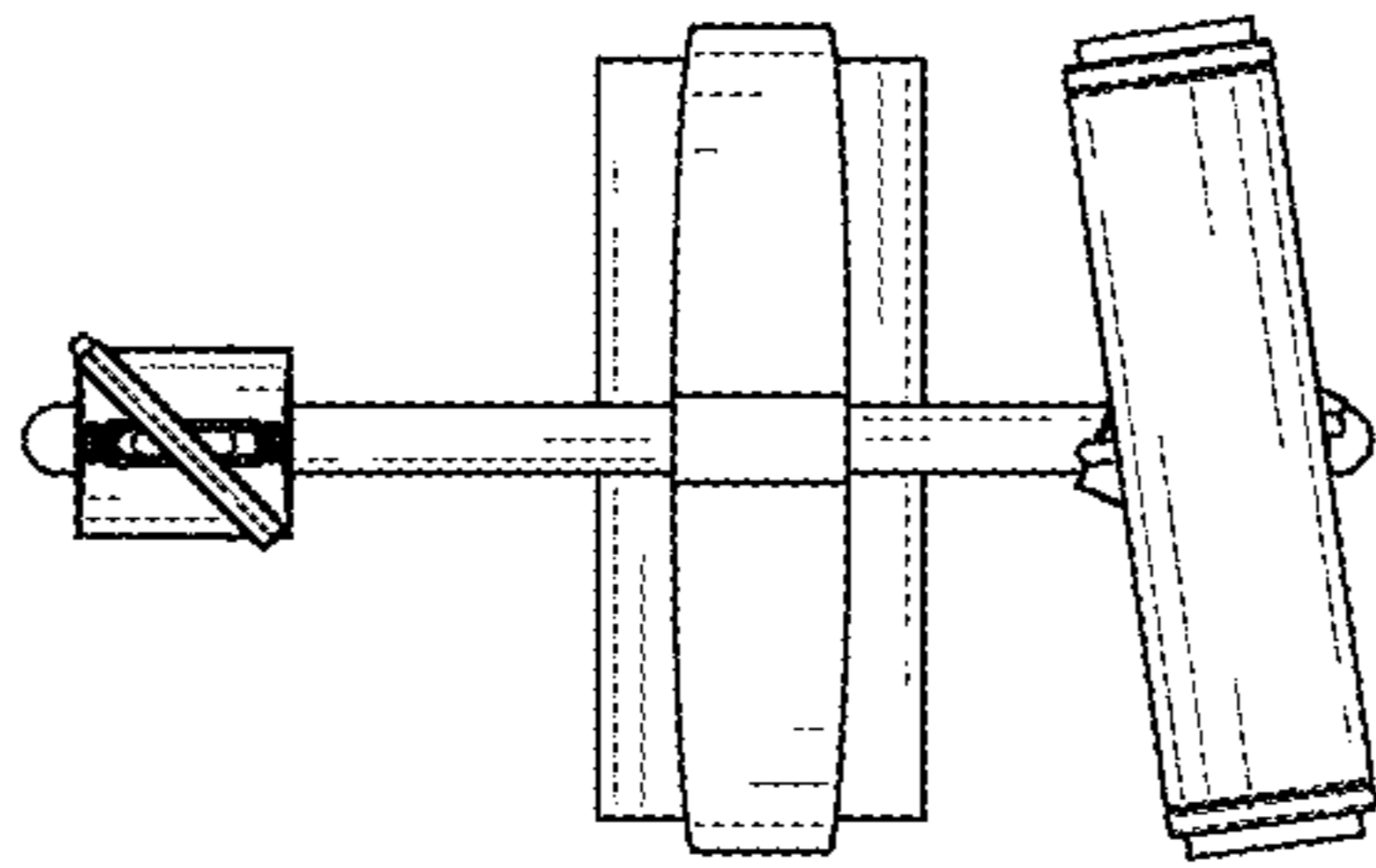


FIG. 8

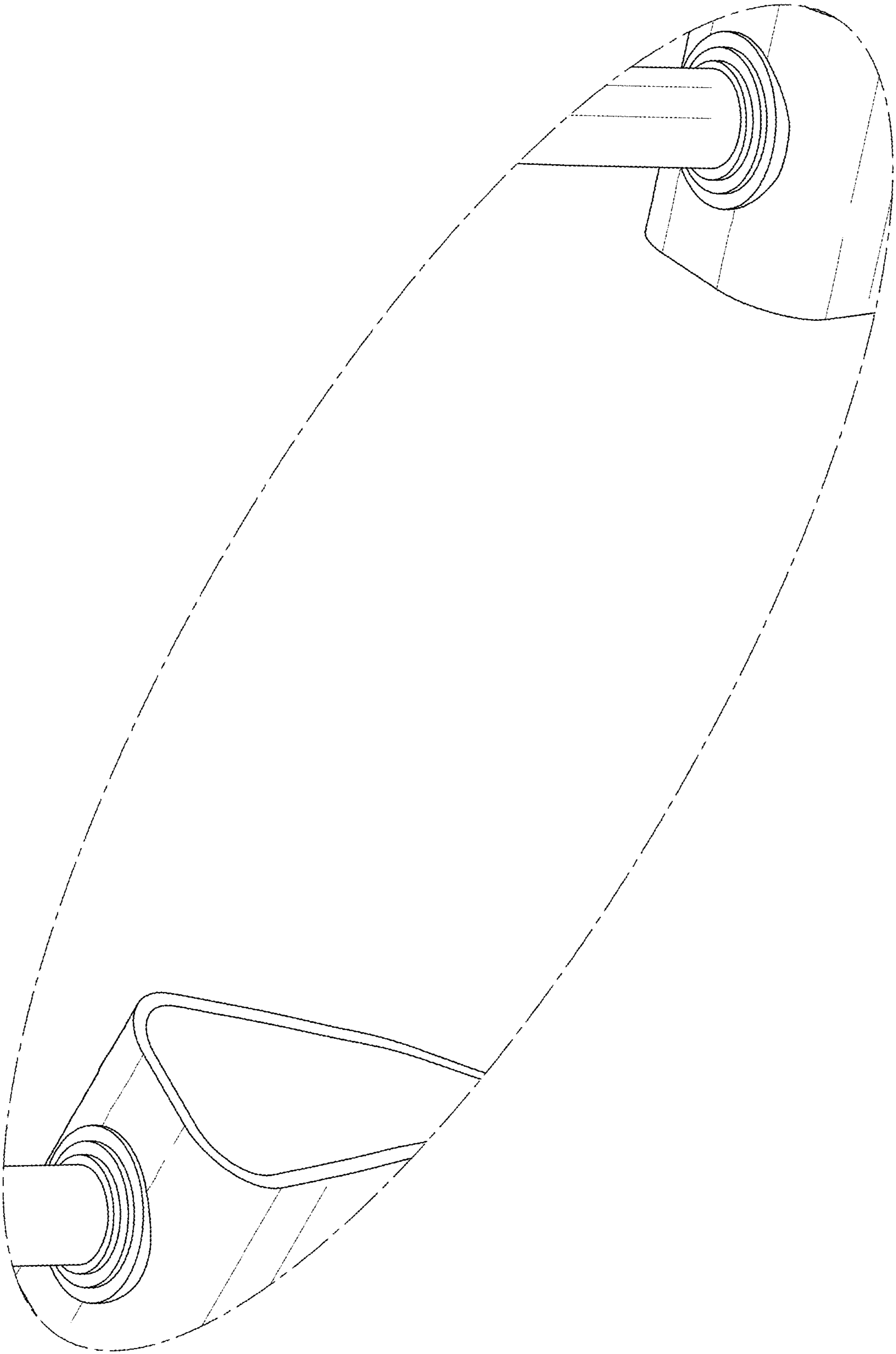


FIG. 9