



US00D911463S

(12) **United States Design Patent** (10) **Patent No.:** **US D911,463 S**  
**Roseberry et al.** (45) **Date of Patent:** **\*\* Feb. 23, 2021**

(54) **EXERCISE PLATFORM**

(71) Applicants: **Joseph Robert Roseberry**, Arvada, CO (US); **Lori Ann Beedon**, Broomfield, CO (US)

(72) Inventors: **Joseph Robert Roseberry**, Arvada, CO (US); **Lori Ann Beedon**, Broomfield, CO (US)

(\*\*) Term: **15 Years**

(21) Appl. No.: **29/708,796**

(22) Filed: **Oct. 9, 2019**

(51) **LOC (13) Cl.** ..... **21-02**

(52) **U.S. Cl.**  
USPC ..... **D21/686**

(58) **Field of Classification Search**  
USPC ..... D21/686, 670, 671, 672, 668, 685, 690, D21/694; D25/138  
See application file for complete search history.

(56) **References Cited**

U.S. PATENT DOCUMENTS

D305,568 S *	1/1990	Sakata	.....	D25/113
5,147,267 A *	9/1992	Kunewalder	.....	A63B 21/0004 482/142
D353,173 S *	12/1994	Almeda	.....	D21/687
5,474,509 A *	12/1995	Hodgdon	.....	A63B 23/0458 482/142
5,584,786 A *	12/1996	Almeda	.....	A63B 21/00047 482/140
5,755,647 A *	5/1998	Watnik	.....	A63B 23/03575 482/121
D405,854 S *	2/1999	Grant	.....	D21/687
D406,718 S *	3/1999	Jacobs	.....	D21/686

(Continued)

*Primary Examiner* — Khawaja Anwar

*Assistant Examiner* — Julice Seung Eun Oum

(74) *Attorney, Agent, or Firm* — Snell & Wilmer L.L.P.;  
Russell T. Manning

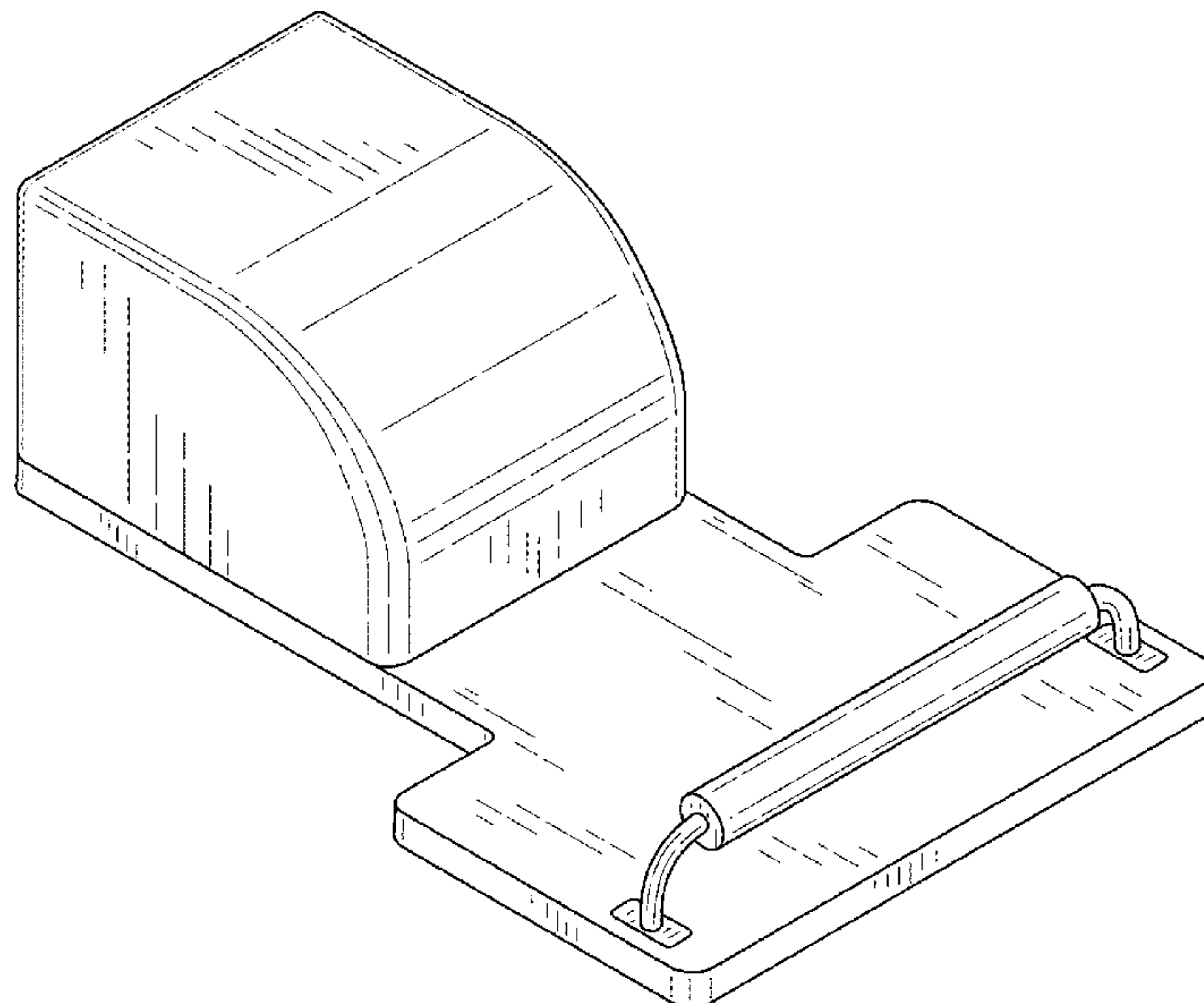
(57) **CLAIM**

The ornamental design for the exercise platform, as shown and described.

**DESCRIPTION**

FIG. 1 is perspective view of a first embodiment of the exercise platform;  
 FIG. 2 is a first side elevation view of the of the first embodiment exercise platform;  
 FIG. 3 is a second side elevation view of the of the first embodiment exercise platform.  
 FIG. 4 is a front elevation view of the of the first embodiment exercise platform;  
 FIG. 5 is a rear elevation view of the of the first embodiment exercise platform;  
 FIG. 6 is a top plan view of the first embodiment of the exercise platform;  
 FIG. 7 is a bottom plan view of the first embodiment of the exercise platform;  
 FIG. 8 is perspective view of a second embodiment of the exercise platform;  
 FIG. 9 is a first side elevation view of the of the second embodiment exercise platform;  
 FIG. 10 is a second side elevation view of the of the second embodiment exercise platform.  
 FIG. 11 is a front elevation view of the of the second embodiment exercise platform;  
 FIG. 12 is a rear elevation view of the of the second embodiment exercise platform;  
 FIG. 13 is a top plan view of the second embodiment of the exercise platform; and,  
 FIG. 14 is a bottom plan view of the second embodiment of the exercise platform.  
 The broken lines shown in FIGS. 7 and 14 represent a boundary of the claimed design and form no part of the claimed design.

**1 Claim, 14 Drawing Sheets**



(56)

References Cited

U.S. PATENT DOCUMENTS

D429,038 S *	8/2000	Forester .....	D30/119	2005/0018147 A1 *	1/2005	Lee .....	H04N 9/3152 353/98
D509,270 S *	9/2005	Stangler .....	D21/686	2007/0117695 A1 *	5/2007	Endelman .....	A63B 21/4037 482/140
D512,787 S *	12/2005	Lonneman .....	D25/138	2008/0015096 A1 *	1/2008	Isacowitz .....	A63B 21/04 482/130
D523,494 S *	6/2006	Van Straaten .....	D21/662	2010/0152004 A1 *	6/2010	Feltz .....	A63B 22/16 482/142
D523,913 S *	6/2006	Van Straaten .....	D21/662	2011/0017547 A1 *	1/2011	Lee .....	E06C 1/005 182/23
D555,216 S *	11/2007	Grider .....	D21/694	2011/0207587 A1 *	8/2011	De La Rambelje .....	A63B 21/4039 482/140
D555,741 S *	11/2007	Wachtfogel .....	D21/662	2011/0269605 A1 *	11/2011	Kim .....	A63B 22/14 482/121
D571,871 S *	6/2008	Backstrand .....	D21/686	2012/0129659 A1 *	5/2012	Diaz .....	A63B 21/00189 482/51
D675,267 S *	1/2013	Jamison, Jr. ....	D21/686	2012/0322636 A1 *	12/2012	Palmer .....	A63B 21/15 482/140
RE43,981 E *	2/2013	Endelman .....	A63B 21/4037 482/142	2014/0221181 A1 *	8/2014	Pickett .....	G06Q 10/00 482/139
D683,801 S *	6/2013	Kalina .....	D21/662	2014/0357939 A1 *	12/2014	Theeuwes .....	A61M 21/02 600/27
8,925,684 B1 *	1/2015	Medina .....	E06C 7/165 182/129	2018/0071567 A1 *	3/2018	Clark .....	A63B 21/4039
9,192,801 B1 *	11/2015	Gouloubev .....	A63B 21/00047	2018/0085623 A1 *	3/2018	Flook .....	A63B 1/00
9,398,973 B1 *	7/2016	Goodson .....	A61F 5/028	2018/0271735 A1 *	9/2018	Drucker .....	A63B 21/00047
D778,373 S *	2/2017	Gossett .....	D21/685	2020/0206563 A1 *	7/2020	Cook .....	A63B 21/4039
D794,726 S *	8/2017	Roseberry .....	D21/687				
D800,852 S *	10/2017	Flook .....	D21/671				
D803,958 S *	11/2017	Clark .....	D21/687				
D831,761 S *	10/2018	Stricklin .....	D21/688				
10,306,996 B1 *	6/2019	Sima .....	A47D 11/00				
D899,536 S *	10/2020	Endelman .....	D21/686				
2004/0033873 A1 *	2/2004	Van Straaten .....	A63B 23/0211 482/142				

\* cited by examiner

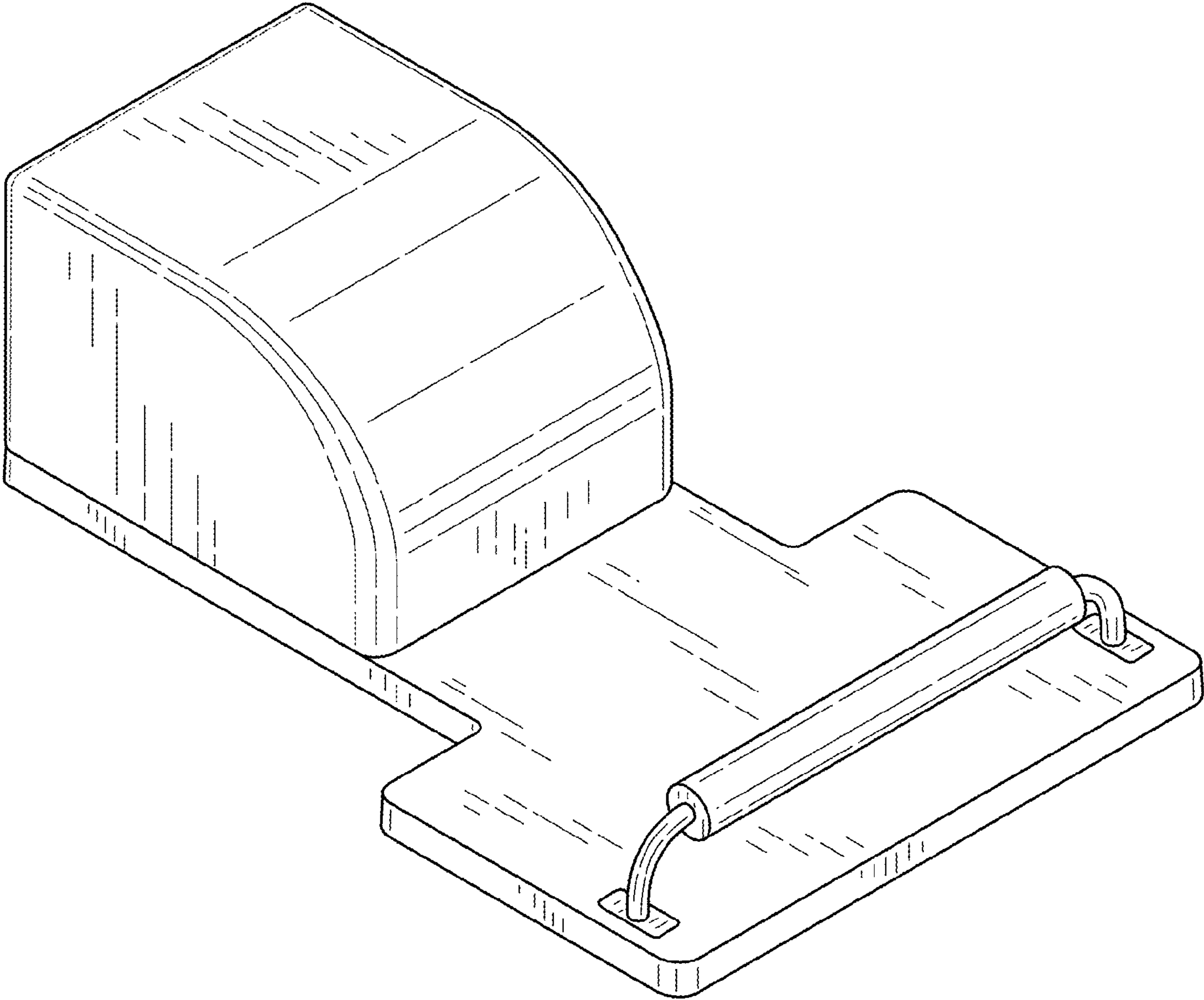


FIG.1

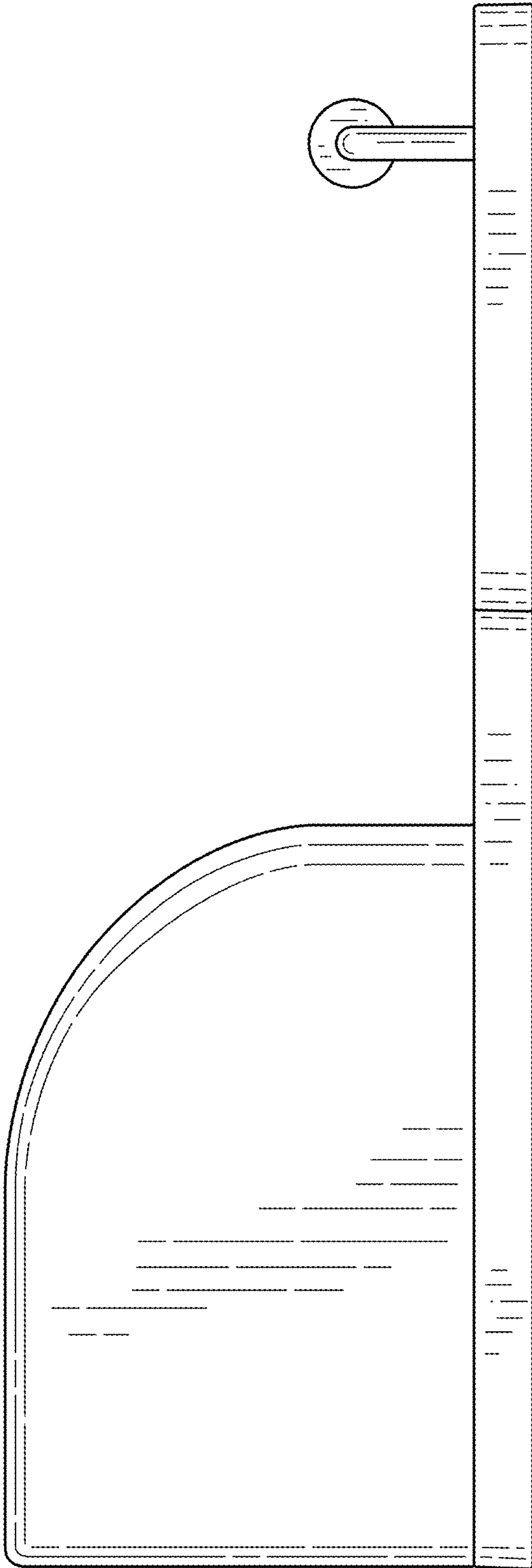


FIG.2

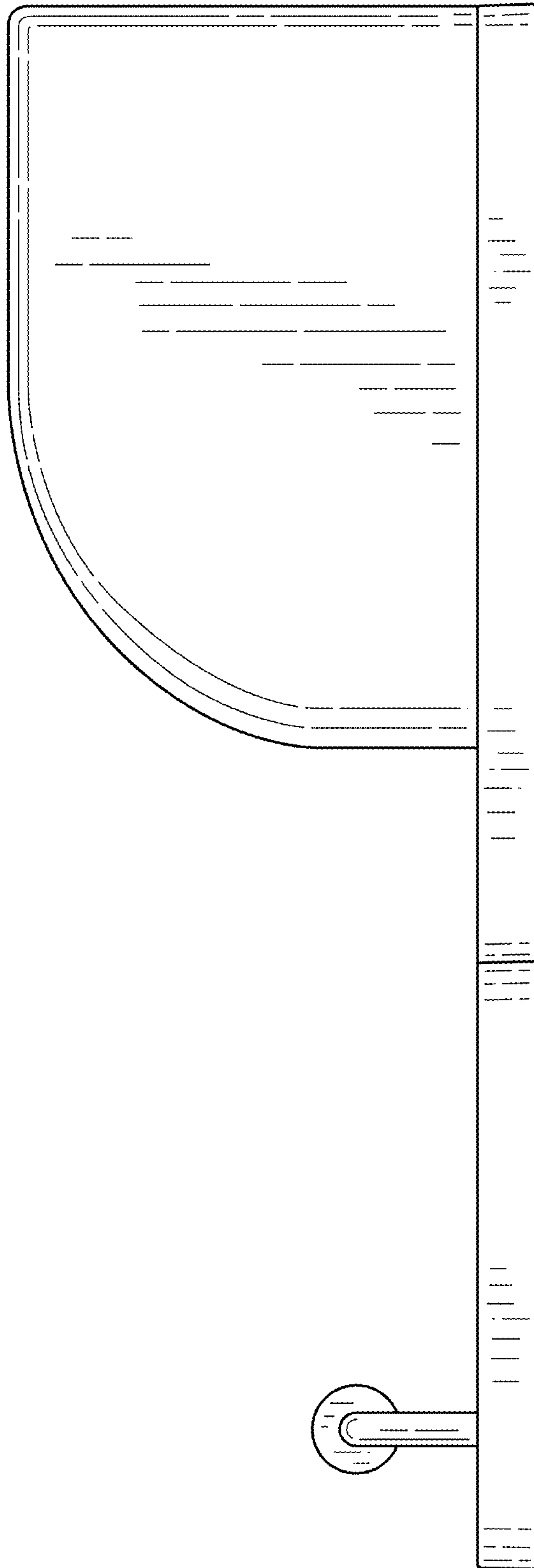


FIG.3



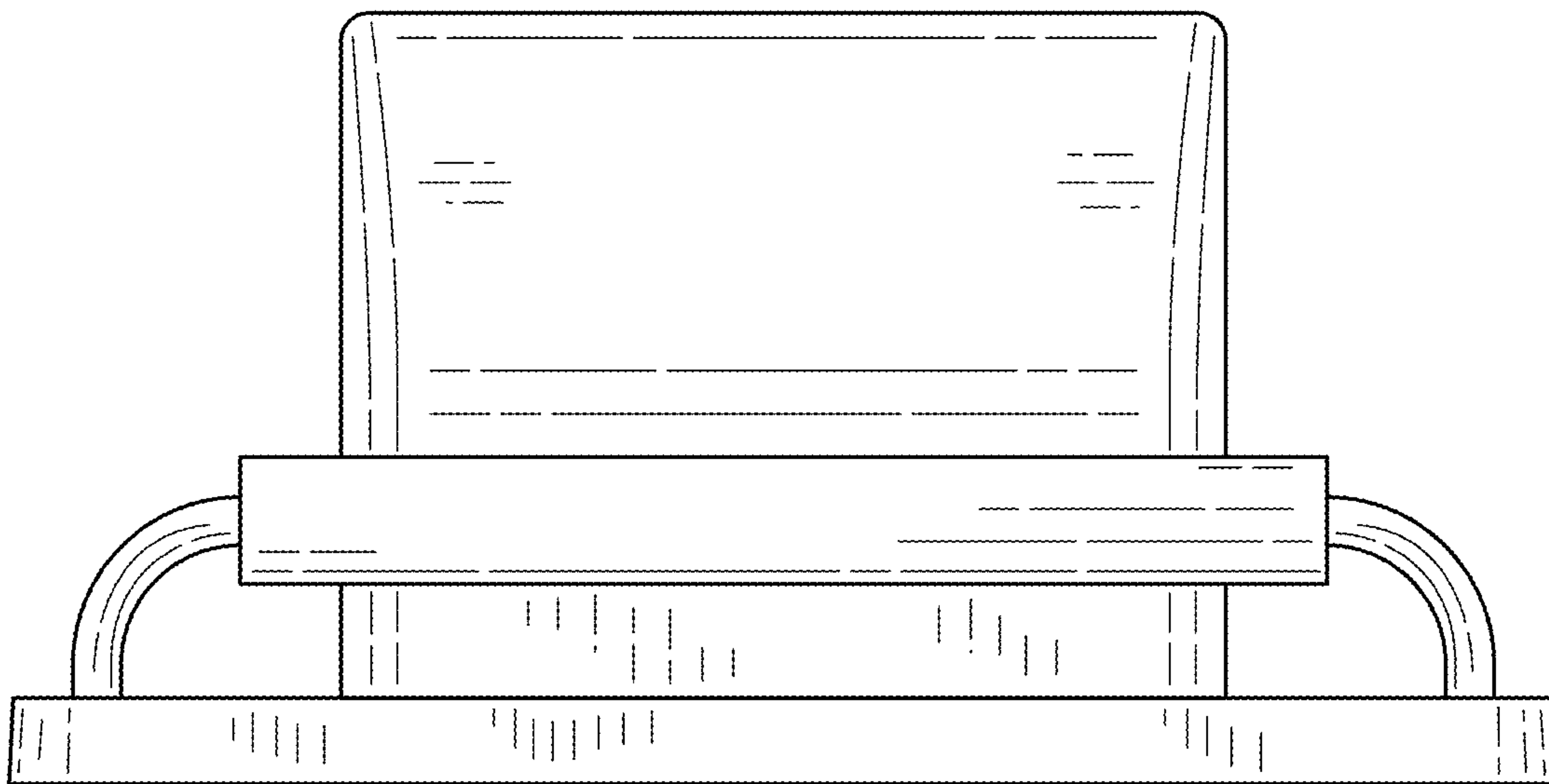


FIG.4

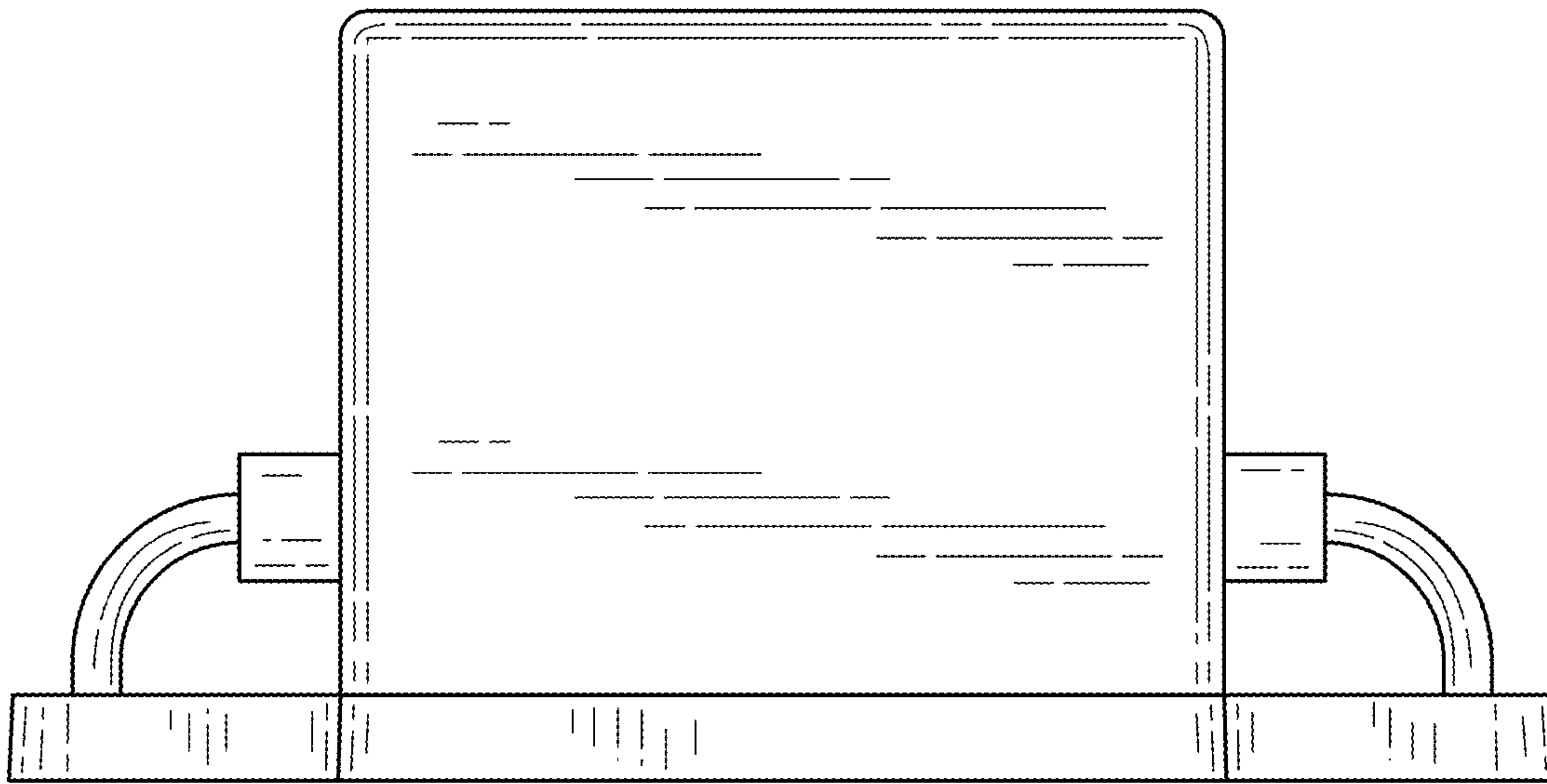


FIG.5

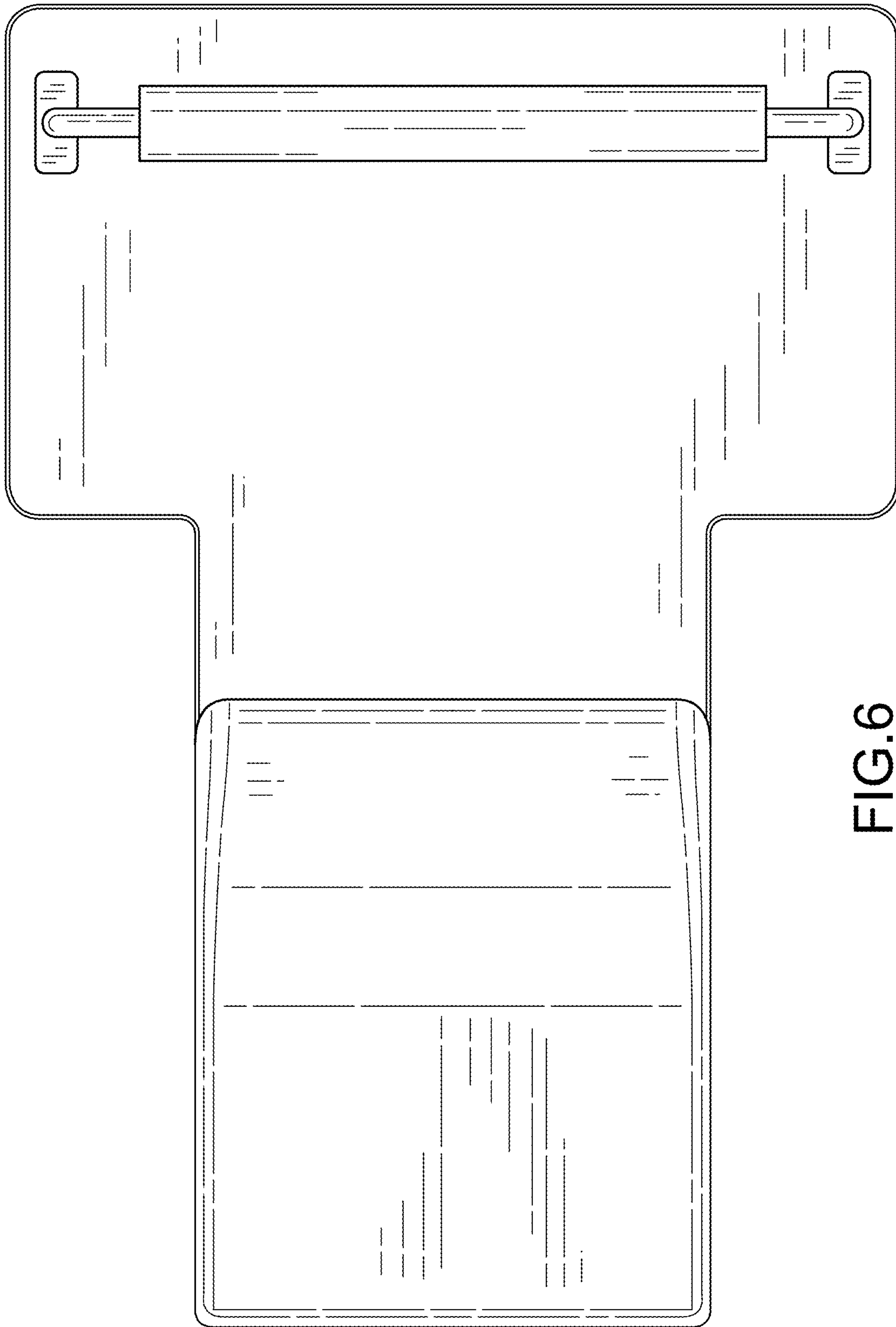


FIG.6



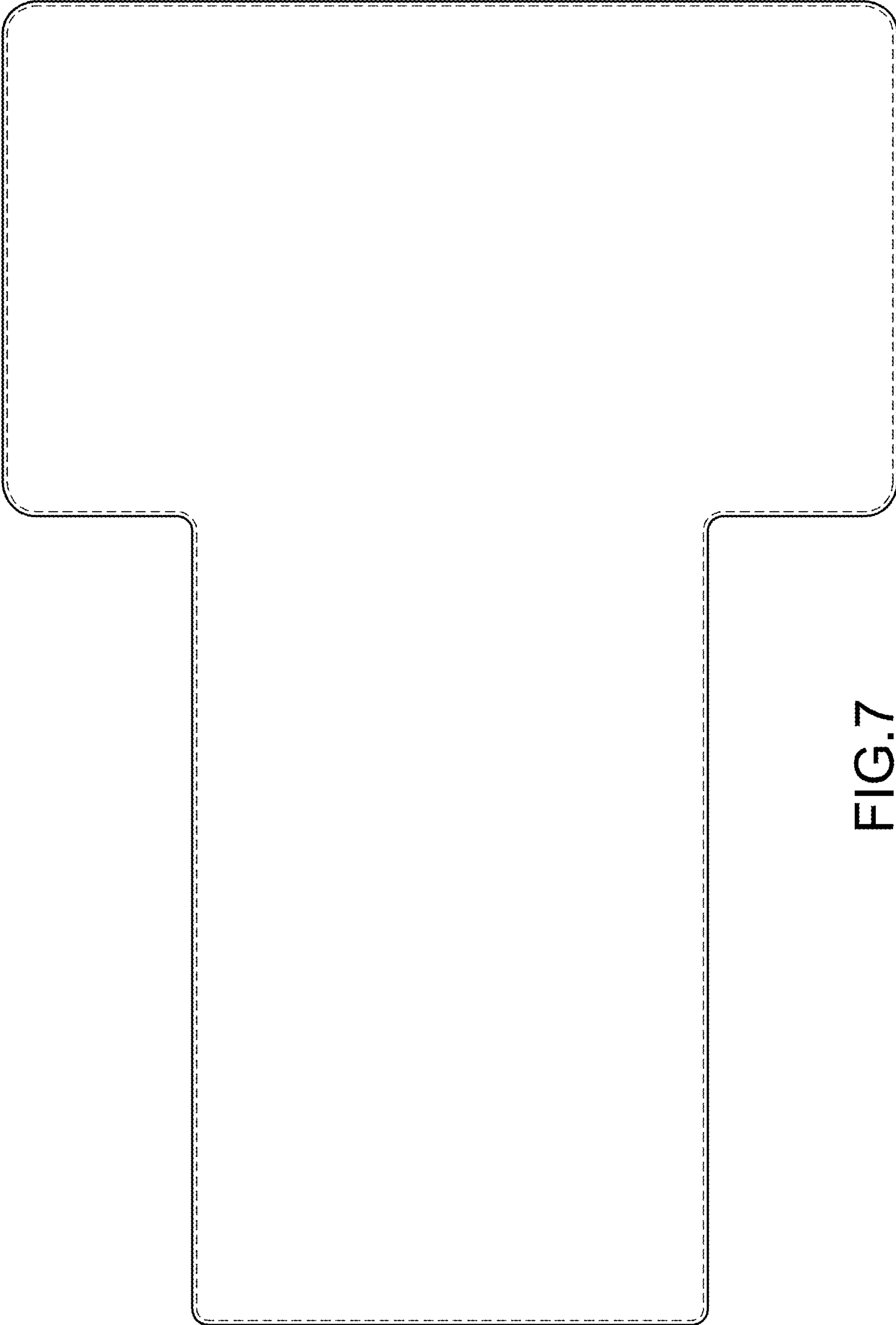


FIG. 7

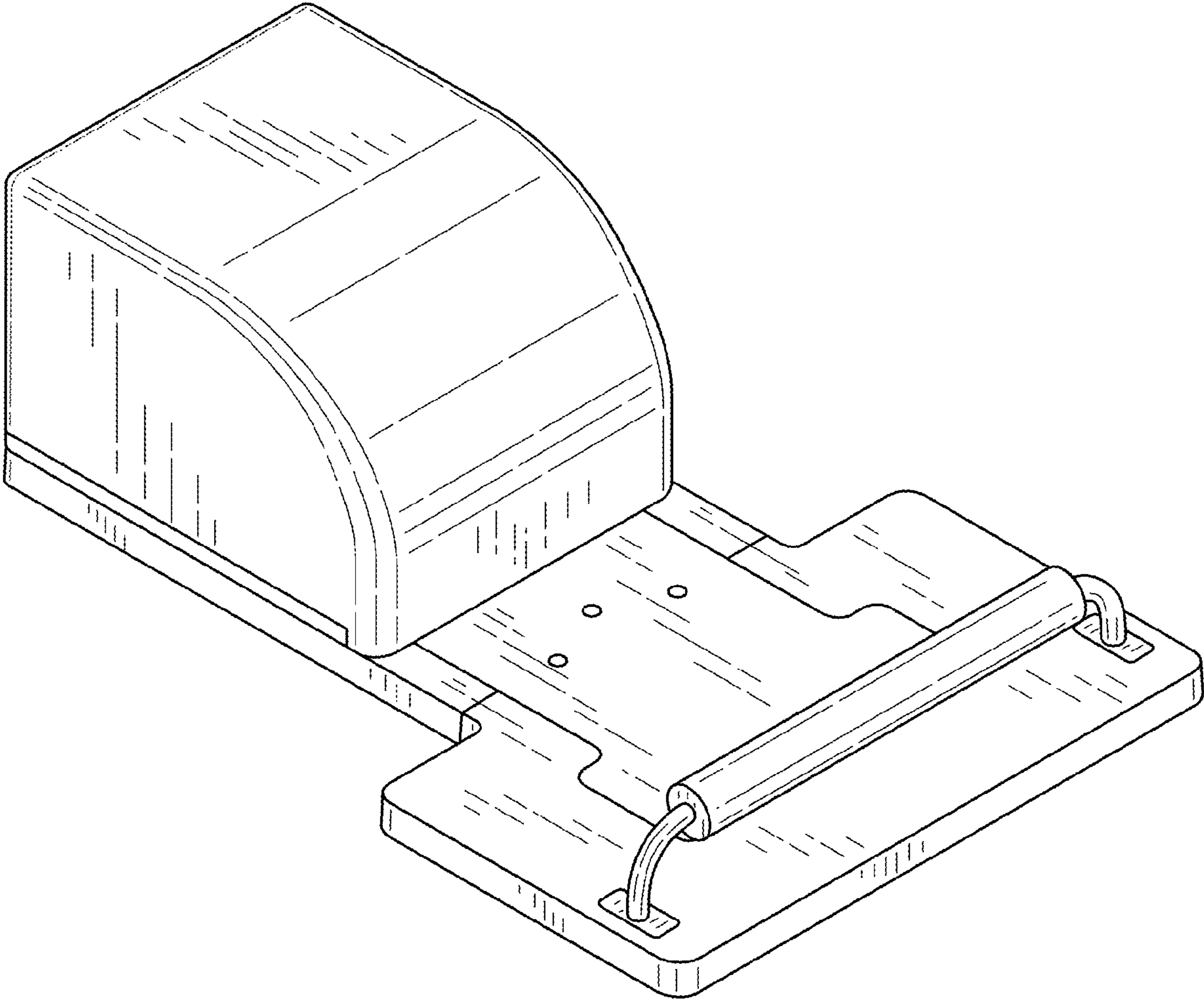


FIG.8

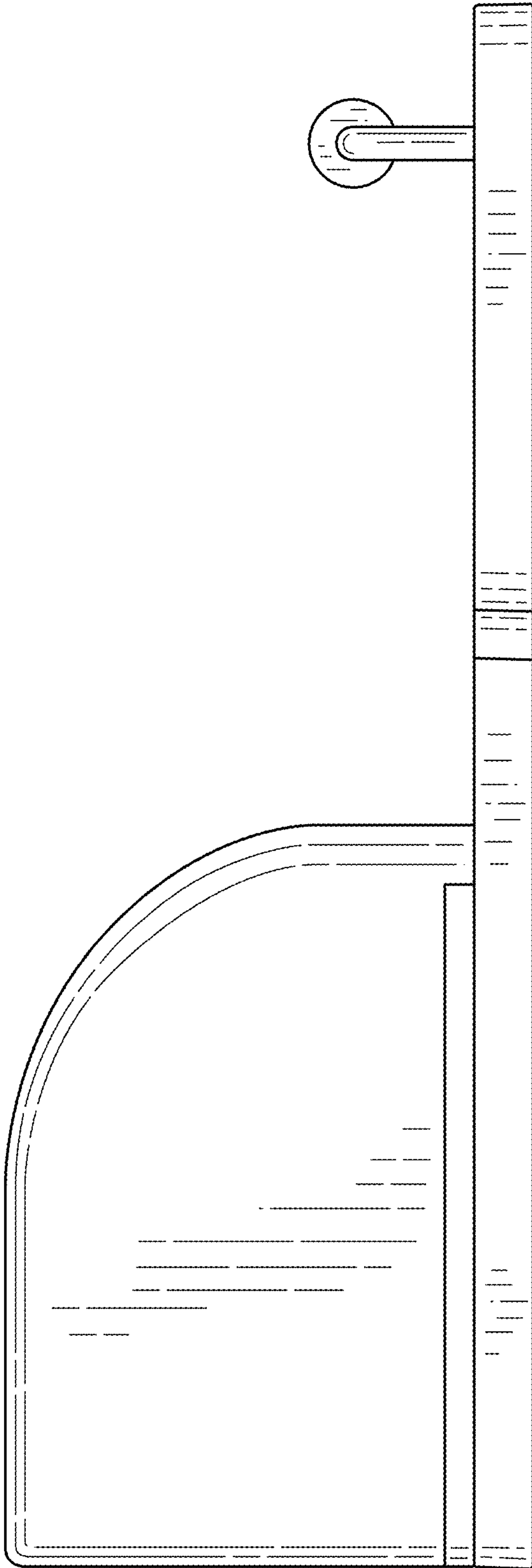


FIG.9

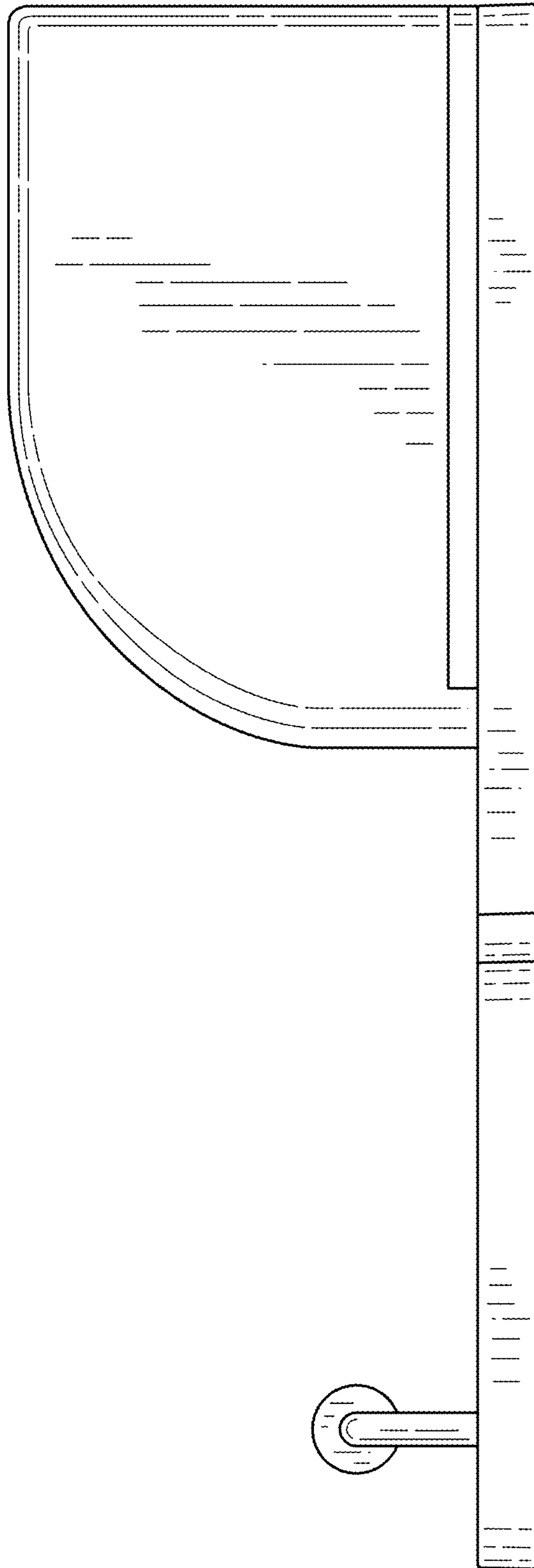


FIG.10

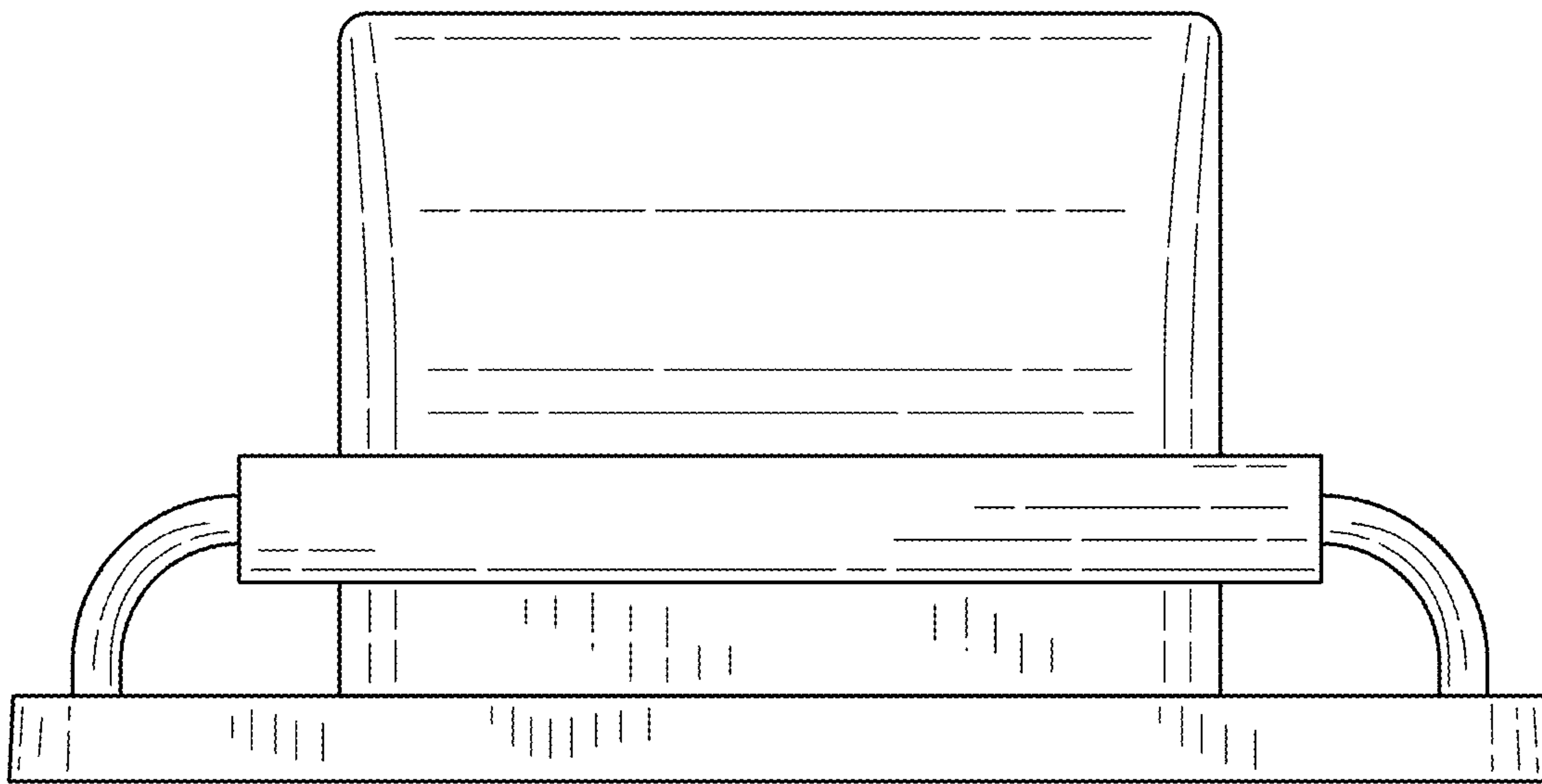


FIG.11

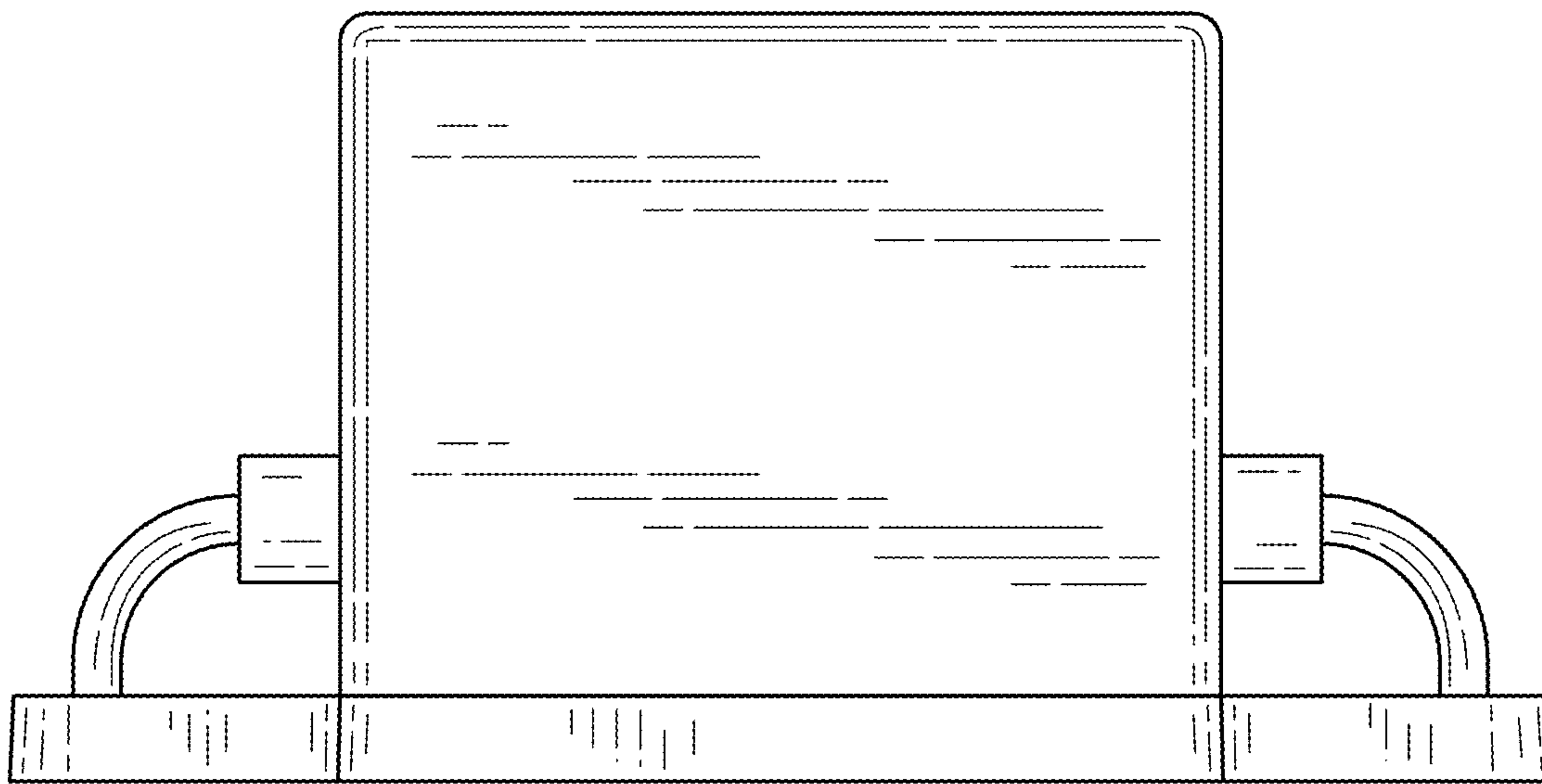


FIG.12



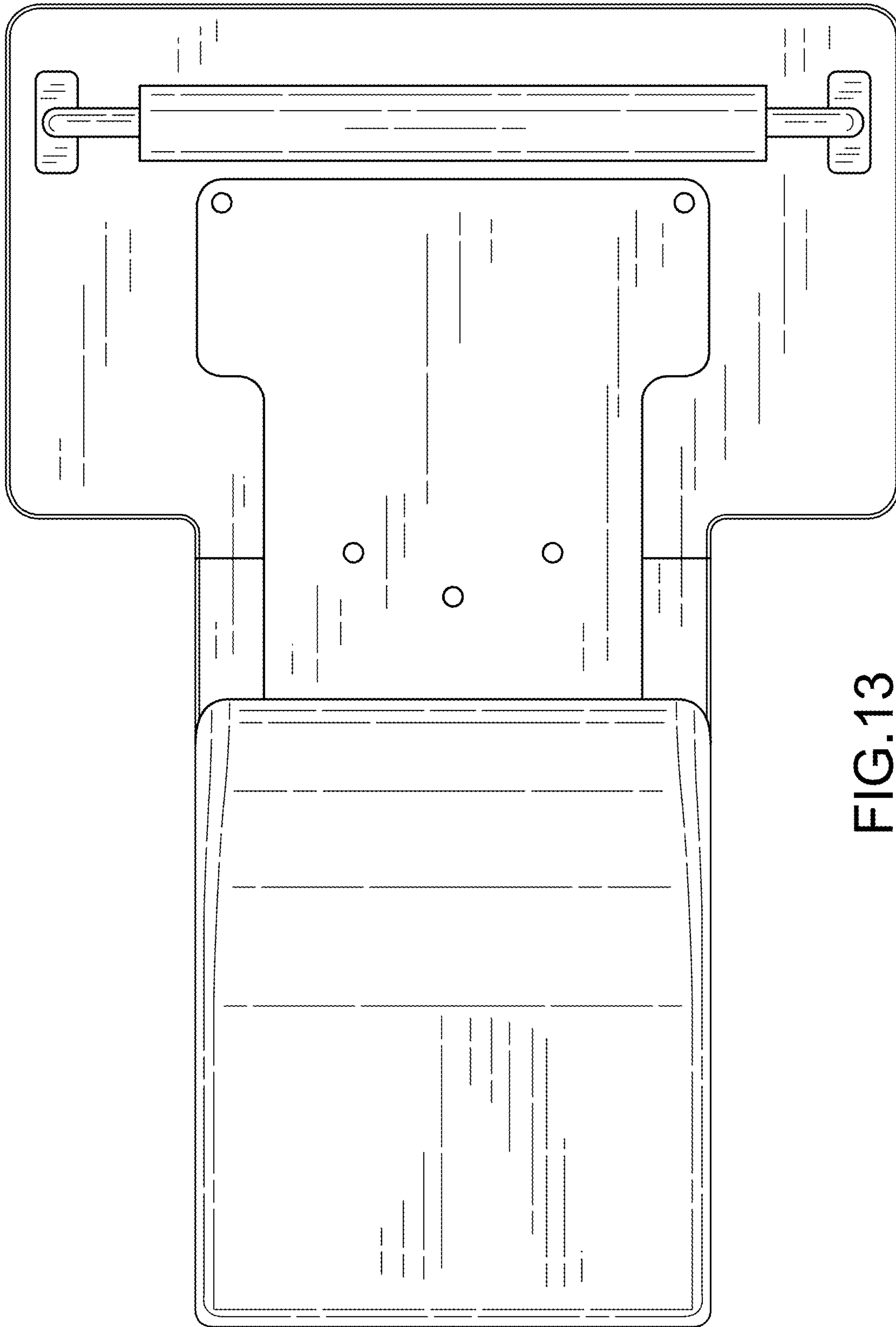


FIG.13

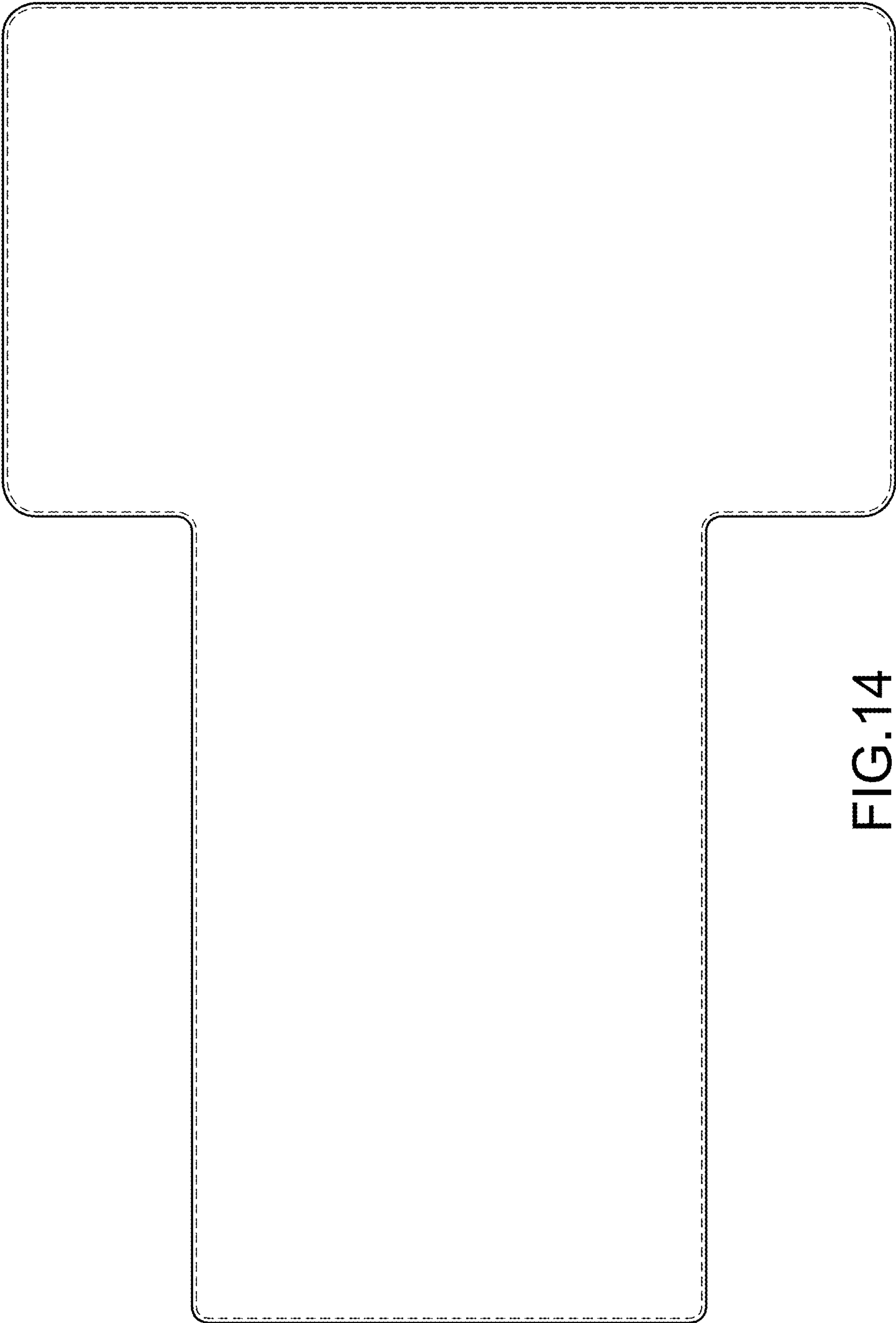


FIG.14