



US00D911462S

(12) **United States Design Patent** (10) **Patent No.:** **US D911,462 S**  
**Blum** (45) **Date of Patent:** **\*\* Feb. 23, 2021**

- (54) **EXERCISE BALL**
- (71) Applicant: **Life Fitness, LLC**, Rosemont, IL (US)
- (72) Inventor: **Matthew P. Blum**, Chicago, IL (US)
- (73) Assignee: **LIFE FITNESS, LLC**, Rosemont, IL (US)
- (\*\*) Term: **15 Years**
- (21) Appl. No.: **29/710,284**
- (22) Filed: **Oct. 22, 2019**

5,588,648 A	12/1996	Stebbins
D393,020 S	3/1998	Arcos
D441,815 S	5/2001	Murphy
6,287,226 B1	9/2001	Dilling
6,290,615 B1	9/2001	Ogg
6,293,877 B1	9/2001	Boehm
D449,358 S	10/2001	Ogg
D449,359 S	10/2001	Ogg
6,383,092 B1	5/2002	Ogg
D478,367 S	8/2003	Traub
D478,947 S *	8/2003	Lu ..... D21/662
6,695,720 B2	2/2004	Sullivan
D494,233 S	8/2004	Kerry
D516,145 S	2/2006	Oblack et al.
D516,646 S	3/2006	Yang
D527,066 S	8/2006	Greiner
D536,756 S	2/2007	Steinhobel
7,175,545 B2	2/2007	Kuntimaddi
D572,322 S	7/2008	Michishita
D577,396 S	9/2008	Burger
7,455,601 B2	11/2008	Morgan et al.
D609,290 S	2/2010	Oblack et al.

**Related U.S. Application Data**

- (62) Division of application No. 29/629,959, filed on Dec. 18, 2017, now Pat. No. Des. 871,527.
- (51) **LOC (13) Cl.** ..... **21-02**
- (52) **U.S. Cl.**  
USPC ..... **D21/680**
- (58) **Field of Classification Search**  
USPC ..... D32/29.1; D21/680, 707, 708, 709, 710, D21/711, 712, 713, 714; D30/160; D24/211, 214, 215  
CPC ..... A63B 41/00; A63B 21/072; A63B 39/00; A63B 43/00; A61H 2015/004  
See application file for complete search history.

Primary Examiner — Cynthia Ramirez  
 Assistant Examiner — Michael A Maharajh  
 (74) *Attorney, Agent, or Firm* — Andrus Intellectual Property Law, LLP

**CLAIM**

(57) The ornamental design for an exercise ball, as shown and described.

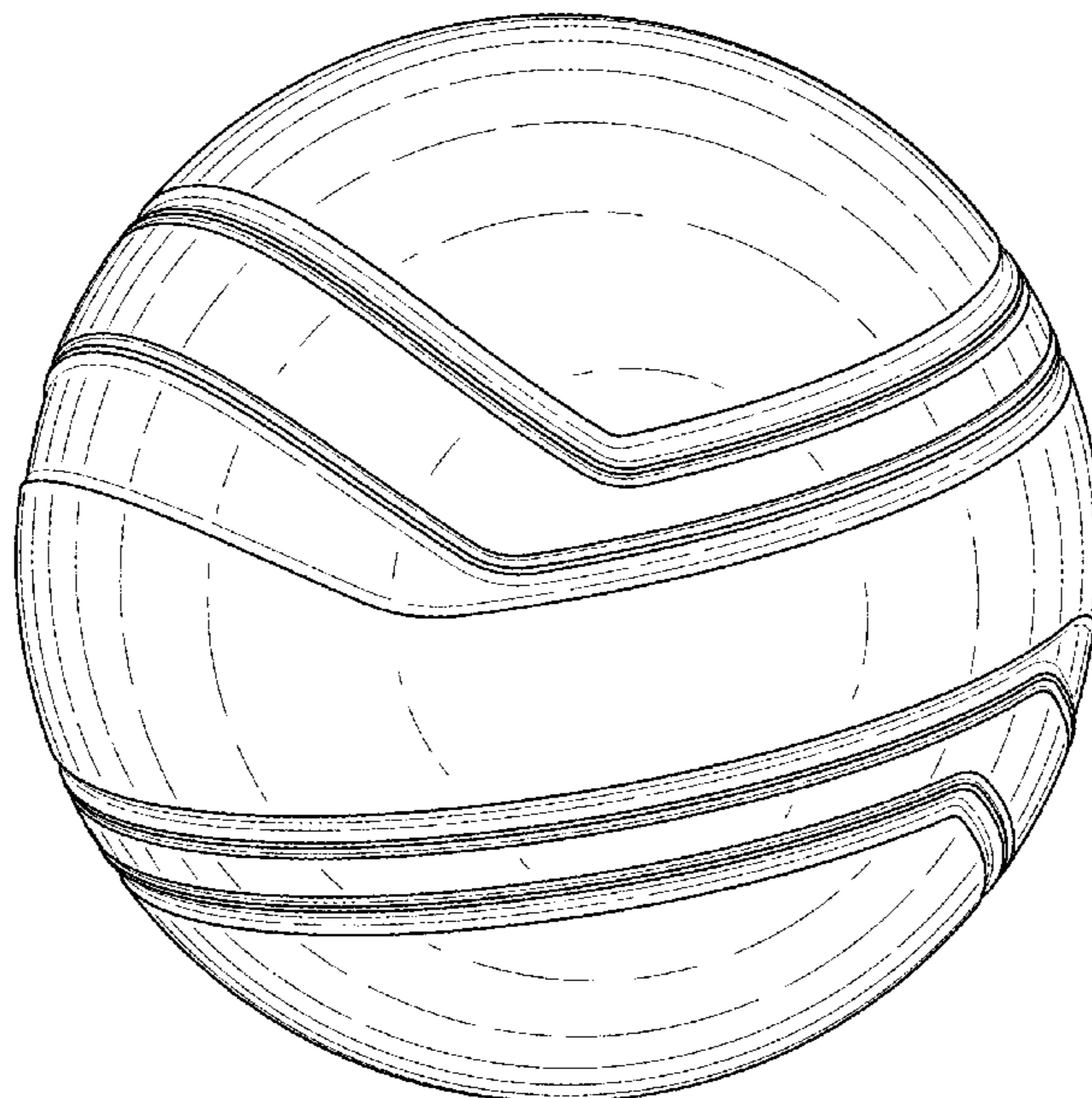
**DESCRIPTION**

FIG. 1 is a front perspective view of an exercise ball, showing our new design;  
 FIG. 2 is a front view thereof.  
 FIG. 3 is a rear view thereof.  
 FIGS. 4 and 5 are opposing side views thereof.  
 FIG. 6 is a top view of thereof; and,  
 FIG. 7 is a bottom view thereof.

**1 Claim, 4 Drawing Sheets**

(56) **References Cited**  
 U.S. PATENT DOCUMENTS

D52,500 S	9/1918	Vaile
D52,706 S	11/1918	Robertson
D52,712 S	11/1918	Turner
1,418,220 A	5/1922	John
D71,562 S	9/1922	Penfold
D72,692 S	7/1925	Beldam
2,840,024 A	4/1955	Haas
3,222,065 A	12/1965	Dwork
5,048,829 A	9/1991	Prokupek



(56)

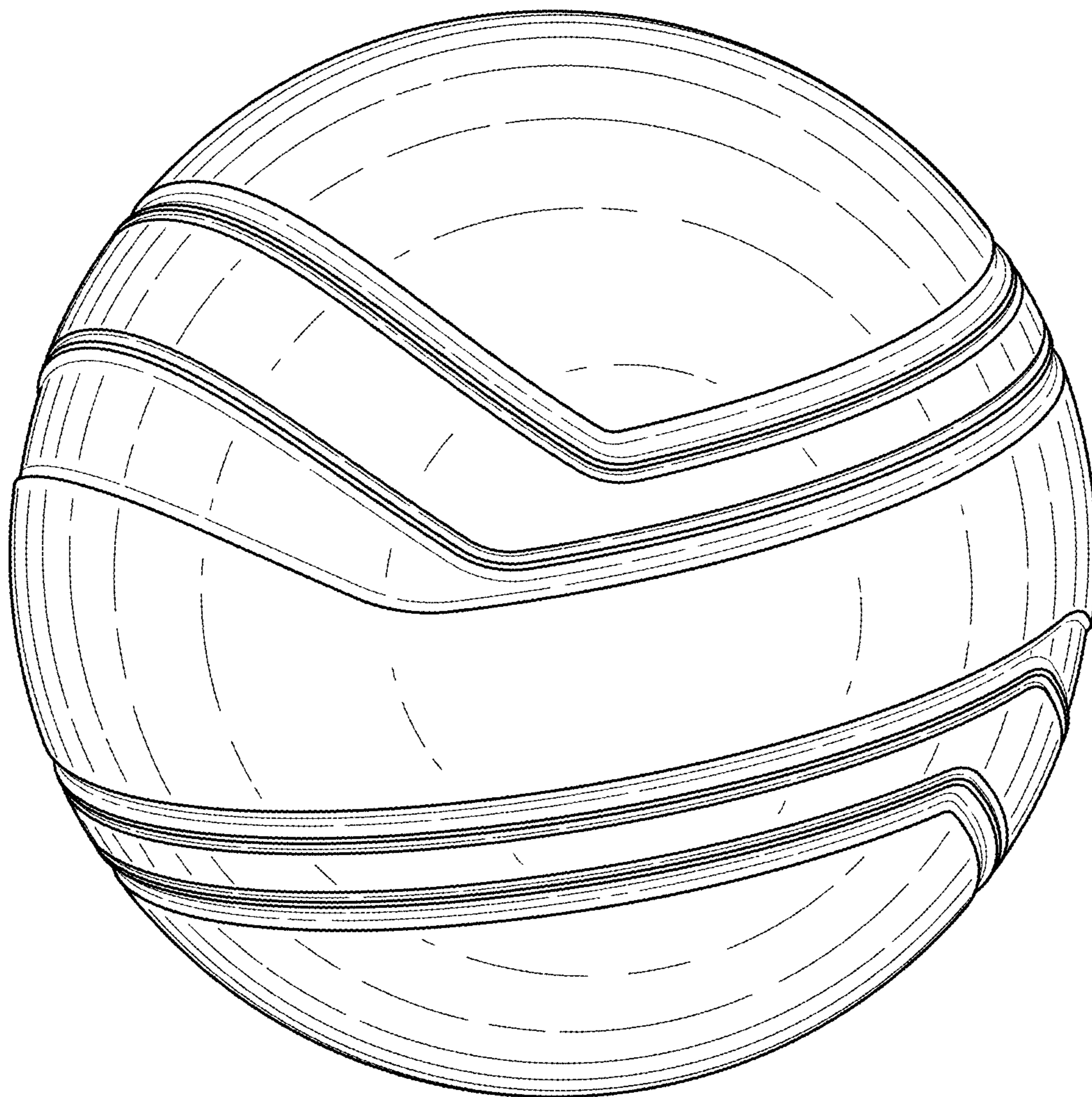
References Cited

U.S. PATENT DOCUMENTS

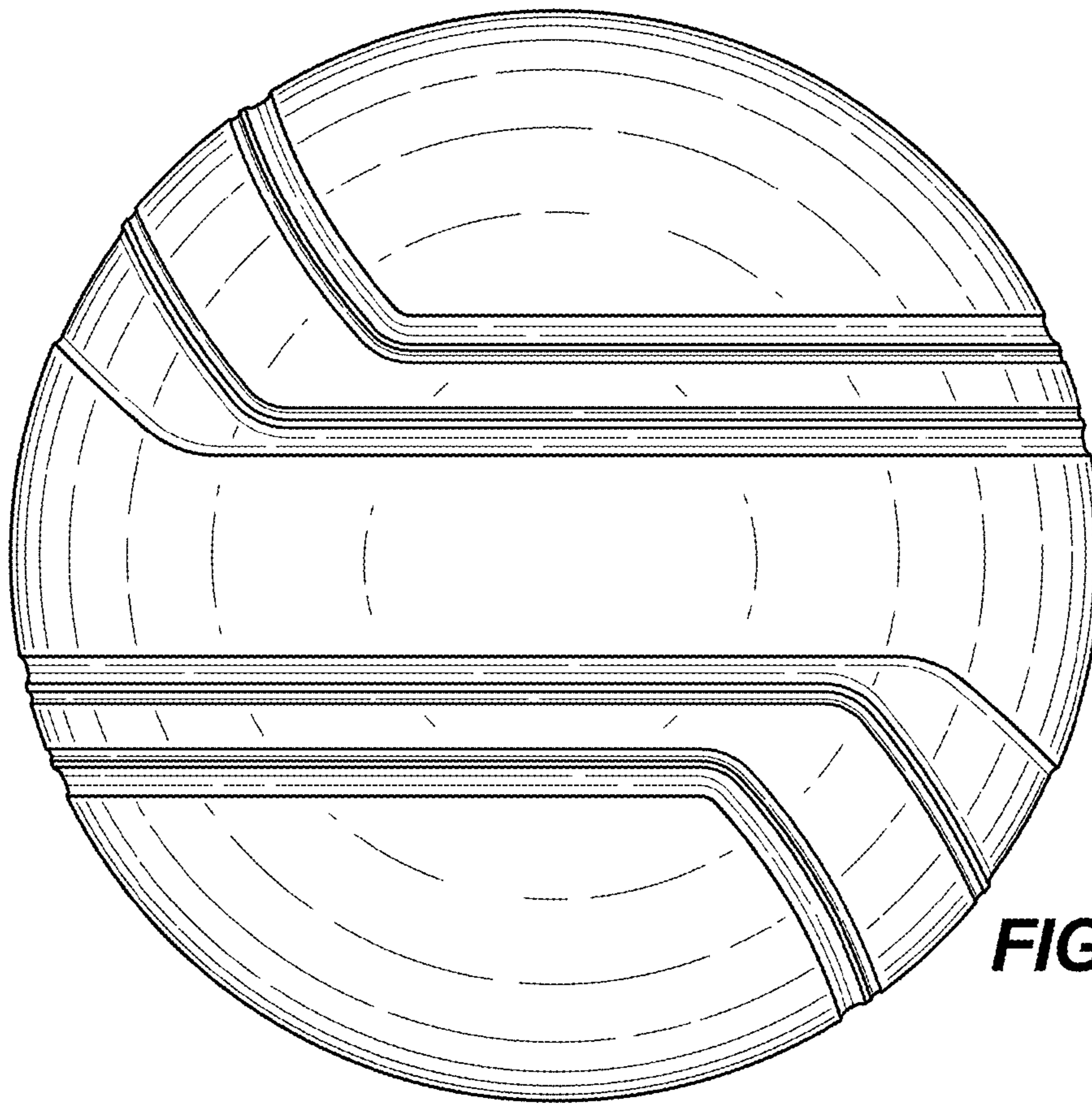
D640,018 S *	6/2011	Rutherford	.....	D30/160	10,010,470 B2	7/2018	Bradford	
D642,230 S	7/2011	Kessler			D832,946 S	11/2018	Lemihan	
8,205,351 B2 *	6/2012	Howe	.....	B67D 7/06 34/60	D835,733 S	12/2018	Whiteley	
D663,793 S	7/2012	Guarrasi			D837,908 S	1/2019	Ross	
D673,740 S	1/2013	Burger et al.			D838,417 S	1/2019	Jiang	
D680,698 S *	4/2013	McWilliams	.....	D30/160	D838,790 S	1/2019	Chang	
D683,800 S	6/2013	Ebio			D839,496 S *	1/2019	Steinkraus	..... D30/160
D694,421 S *	11/2013	Anderson	.....	D24/215	D840,116 S *	2/2019	Steinkraus	..... D30/160
8,591,355 B2	11/2013	Sullivan et al.			D843,527 S	3/2019	Monnin	
D695,371 S	12/2013	Hedeem, Jr.			D845,562 S *	4/2019	Lewis	..... D30/160
D700,259 S	2/2014	Lien			D848,683 S *	5/2019	Pinto	..... D30/160
D702,301 S	4/2014	Otto			D848,684 S *	5/2019	Renforth	..... D30/160
8,683,958 B2	4/2014	Oblack et al.			D861,084 S *	9/2019	Wu	..... D21/680
D705,876 S	5/2014	Oblack et al.			D867,489 S *	11/2019	Brezovar	..... D21/680
D718,825 S	12/2014	Ross			D870,987 S *	12/2019	Murray	..... D30/160
D724,161 S *	3/2015	Kuhne	.....	D21/662	D871,527 S *	12/2019	Blum	..... D21/680
D730,461 S	5/2015	Bennett			D871,603 S *	12/2019	Spratt	..... D24/215
D731,667 S *	6/2015	Elenga	.....	D24/215	D875,852 S *	2/2020	Brezovar	..... D21/680
D746,007 S *	12/2015	Oh	.....	D32/29	D875,853 S *	2/2020	Brezovar	..... D21/680
D748,747 S *	2/2016	Holland	.....	D21/713	D876,660 S *	2/2020	Kim	..... D24/215
D750,450 S *	3/2016	Goldsmith	.....	D7/667	D884,099 S *	5/2020	Wang	..... D21/713
D770,710 S *	11/2016	Li	.....	D32/29.1	D893,116 S *	8/2020	Wang	..... D30/160
D774,150 S	12/2016	Holland et al.			2006/0068952 A1 *	3/2006	Davignon, II	..... A63B 69/0002 473/613
D775,286 S	12/2016	Pawlas			2006/0217220 A1 *	9/2006	Davignon, II	..... A63B 69/0002 473/613
D775,287 S	12/2016	Pawlas			2007/0049434 A1	3/2007	Maziarz et al.	
D786,513 S *	5/2017	Tome	.....	D30/160	2009/0181805 A1	7/2009	Sullivan et al.	
9,694,230 B2	7/2017	Cooper			2009/0227398 A1	9/2009	Gibson	
D794,143 S	8/2017	Rex			2012/0263880 A1	10/2012	Lin	
D798,658 S *	10/2017	Masifilo	.....	D7/400	2014/0336021 A1	11/2014	Jones	
D810,013 S	2/2018	Smitley			2014/0373788 A1 *	12/2014	Ragonetti	..... A01K 15/025 119/51.01
D819,758 S	6/2018	Iqbal			2015/0011330 A1	1/2015	Ishii et al.	
D823,951 S	7/2018	Marton et al.			2017/0136283 A1 *	5/2017	Sorin	..... A63B 21/4035
					2019/0001195 A1	1/2019	Chang	

\* cited by examiner

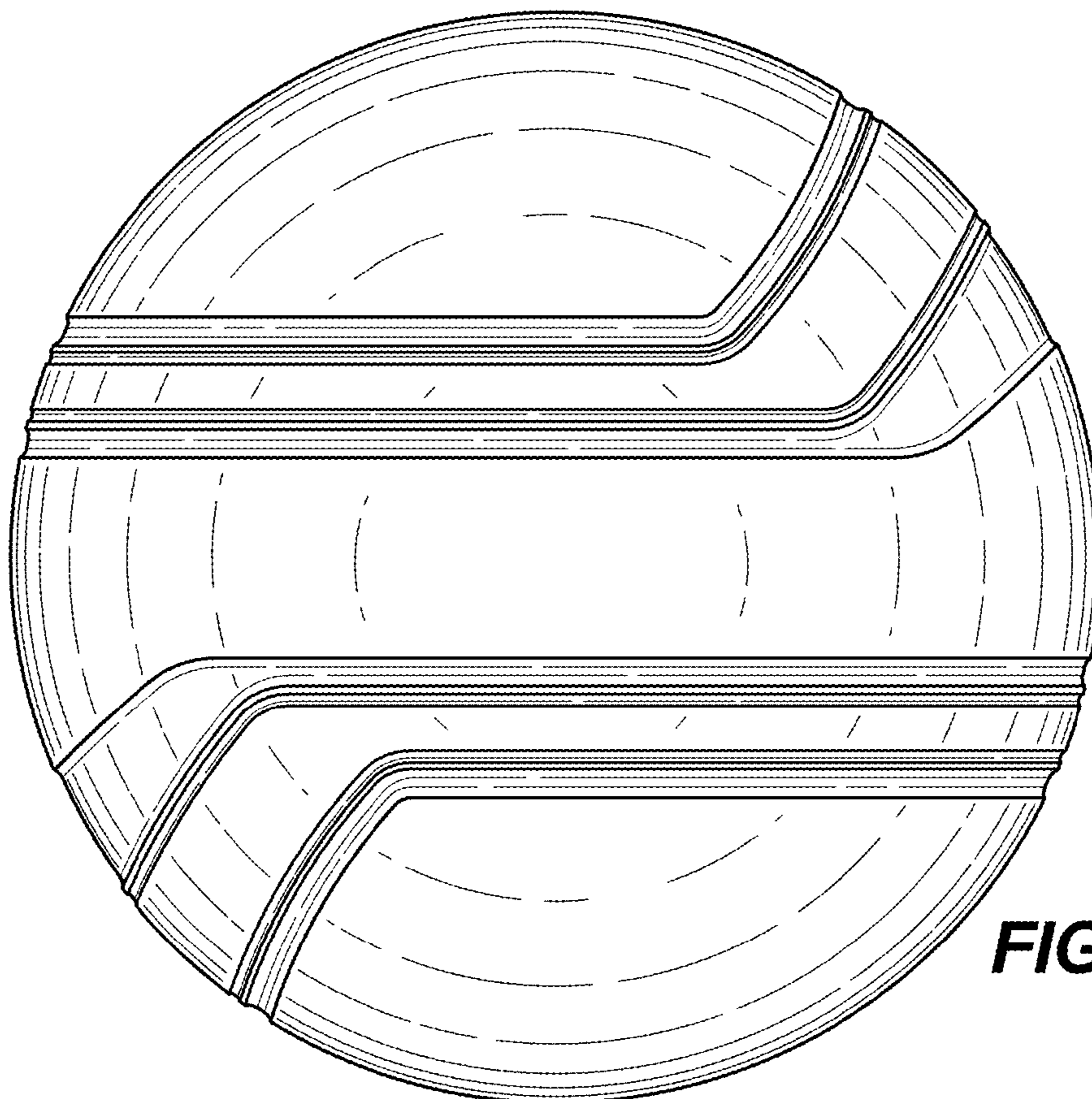




**FIG. 1**

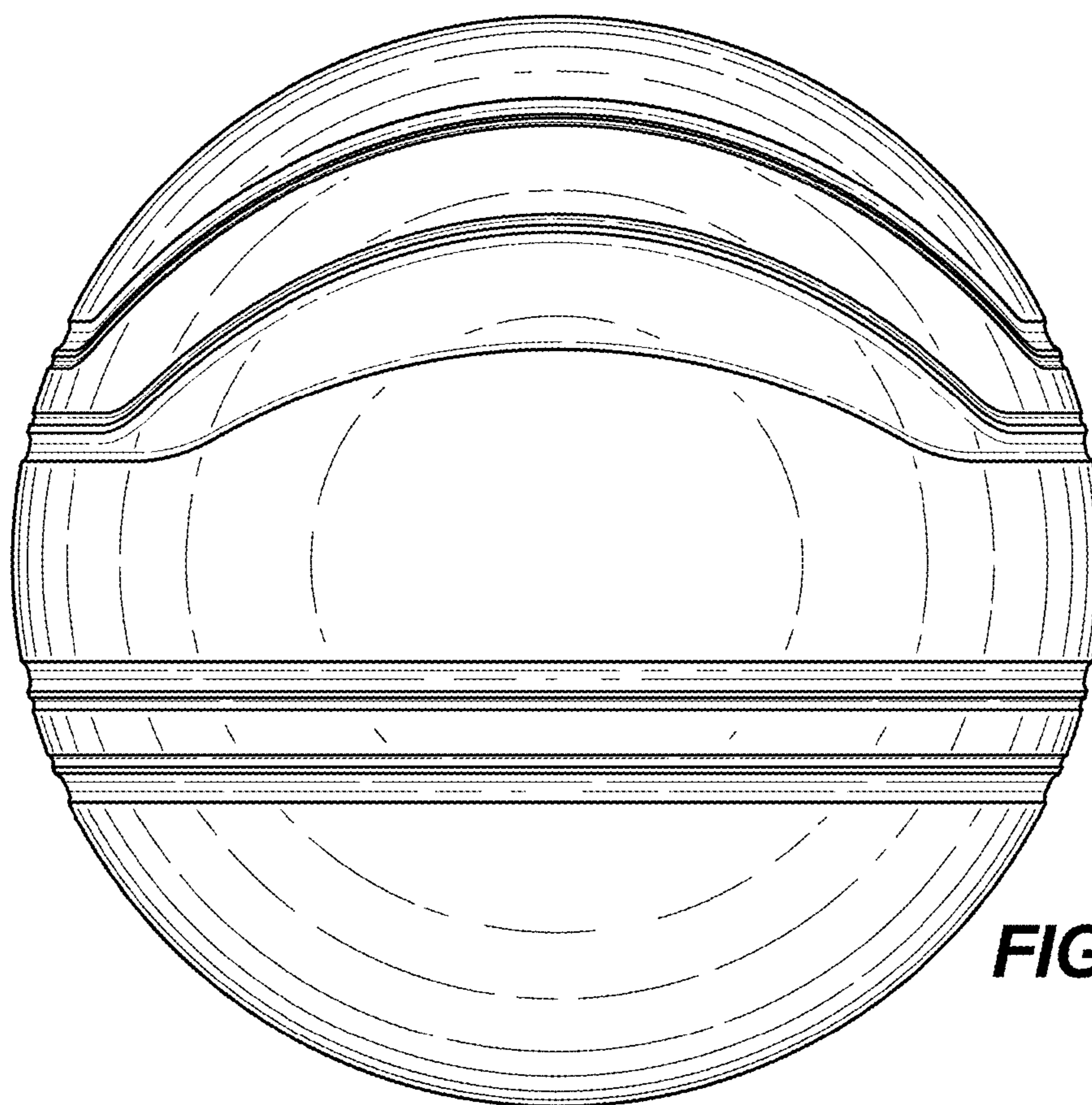


**FIG. 2**

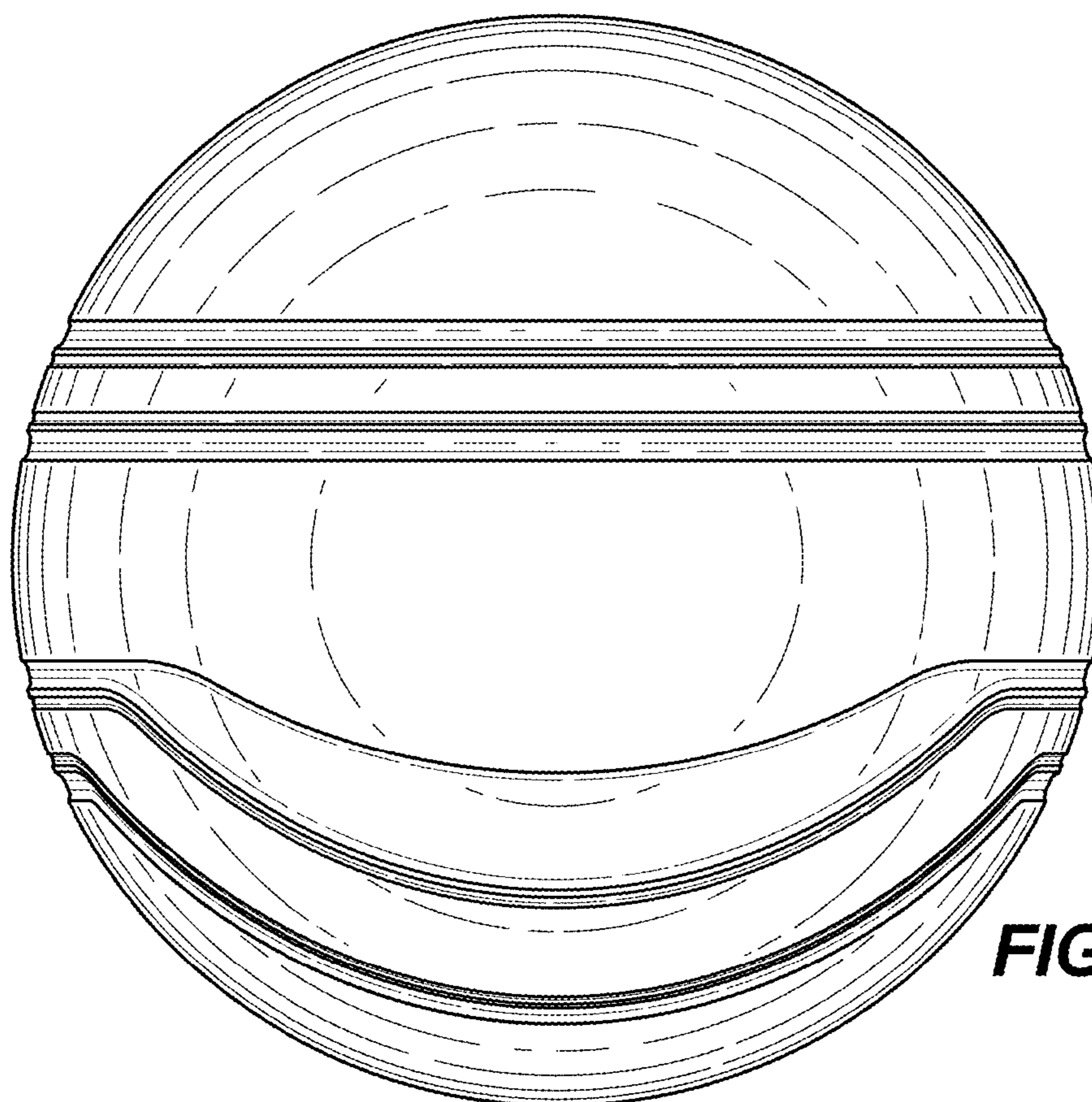


**FIG. 3**

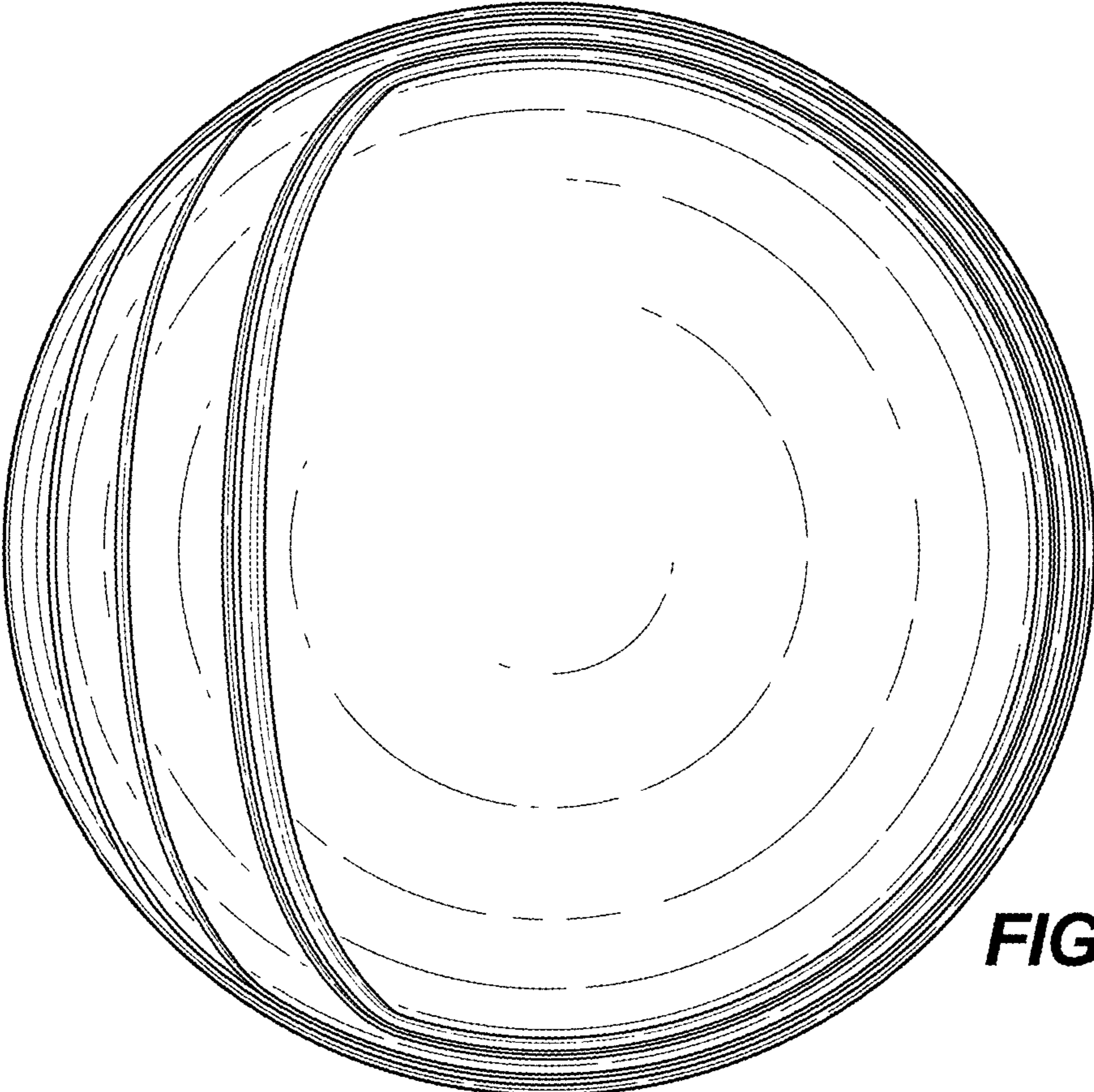




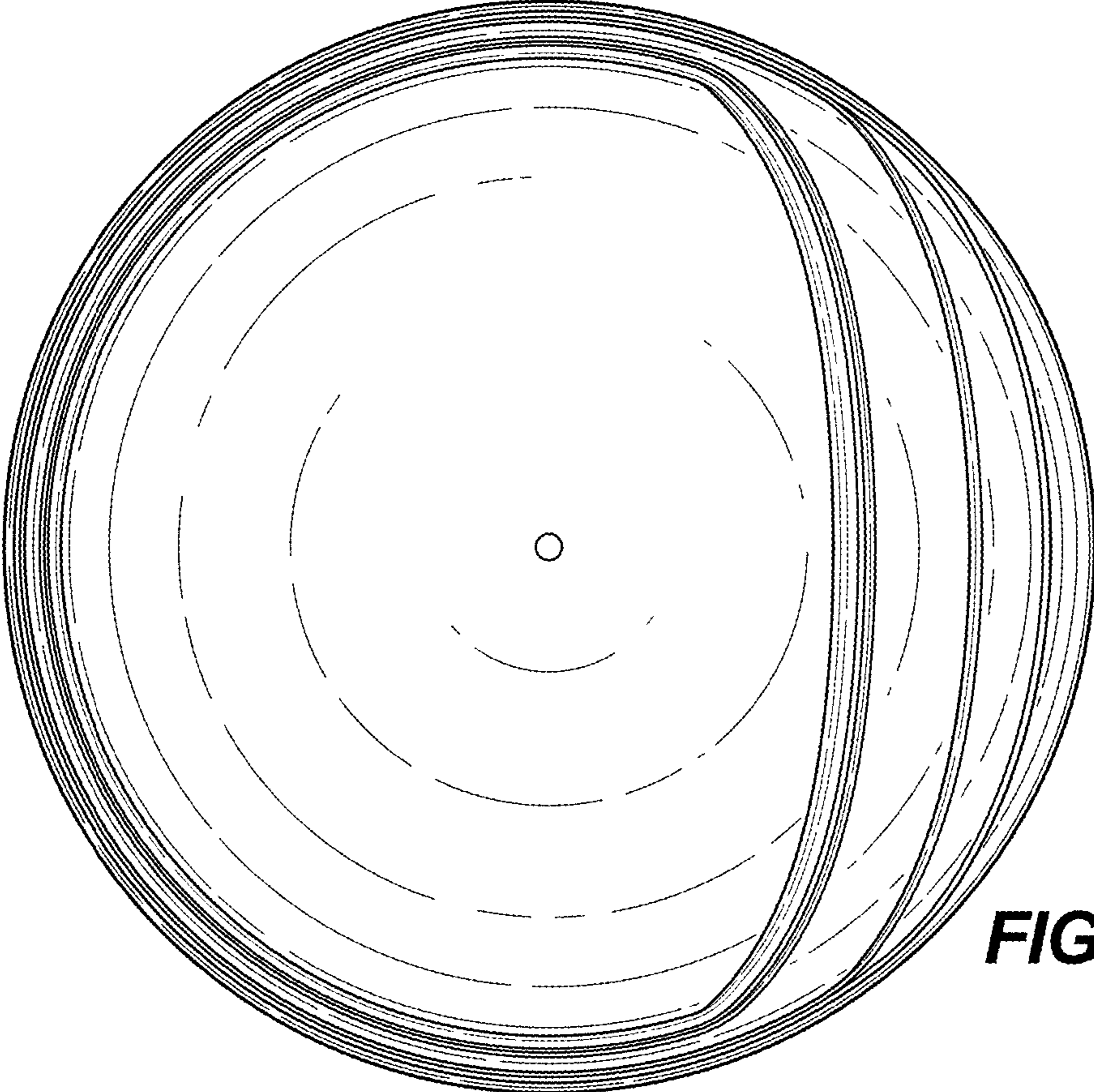
**FIG. 4**



**FIG. 5**



**FIG. 6**



**FIG. 7**