



US00D911458S

(12) **United States Design Patent** (10) **Patent No.:** **US D911,458 S**
Falerni et al. (45) **Date of Patent:** **** Feb. 23, 2021**

(54) **COLLAPSIBLE TOY**

(71) Applicant: **Honor Metro Limited**, Kowloon (HK)

(72) Inventors: **Jeff Falerni**, Agoura Hills, CA (US);
Won Yang, Toluca Lake, CA (US);
Valerie Gresham, Los Angeles, CA (US);
Nai Yang, Temple City, CA (US);
Christine Chang, Van Nuys, CA (US)

(73) Assignee: **Honor Metro Limited**, Tsim Sha Tsui (HK)

(**) Term: **15 Years**

(21) Appl. No.: **29/682,929**

(22) Filed: **Mar. 8, 2019**

(51) **LOC (13) Cl.** **21-01**

(52) **U.S. Cl.**
USPC **D21/483**; D21/398

(58) **Field of Classification Search**
USPC D21/398, 468, 475, 478, 483, 525, 811, D21/812, 506-510, 589; D3/24, 271.1, D3/274, 294; D9/503, 506, 518, 600, D9/715-719, 721, 730, 737, 738, 741, D9/763, 772-775, 779, 780, 414, 416, D9/419, 420-423, 428, 902; D6/521; D8/358; D10/72; 446/69, 71, 75, 76, 446/475, 487, 488, 489, 491, 4, 5, 320
CPC . B65D 1/16; B65D 1/20; B65D 1/225; B65D 17/02; B65D 21/086; B65D 81/36; B65D 81/361; B65D 81/365; B65D 83/08; B65D 85/67; B65D 85/672; B65D 85/676; B65D 2517/0008; B65D 2517/0047; B65D 2517/052; B65D 2517/0056; B65D 2583/0445; B65D 2583/0459; B65D 2583/0463; B65D 2583/0468; A63H 33/00; A63H 33/003; A63H 33/30; A63H 33/42; A63H 37/00; A63H 13/16; A63H 3/52

See application file for complete search history.

(56) **References Cited**

U.S. PATENT DOCUMENTS

191,554 A * 6/1877 Stanton G01B 3/1041
242/405
821,468 A 5/1906 Dashiell
(Continued)

FOREIGN PATENT DOCUMENTS

CA 2552383 A1 * 7/2005 A63H 3/52
CN 105084151 11/2015
(Continued)

OTHER PUBLICATIONS

International Search Report and Written Opinion for International Application No. PCT/US20/21374 dated May 12, 2020.

Primary Examiner — Catherine A Tuttle

(74) *Attorney, Agent, or Firm* — Belles Katz LLC

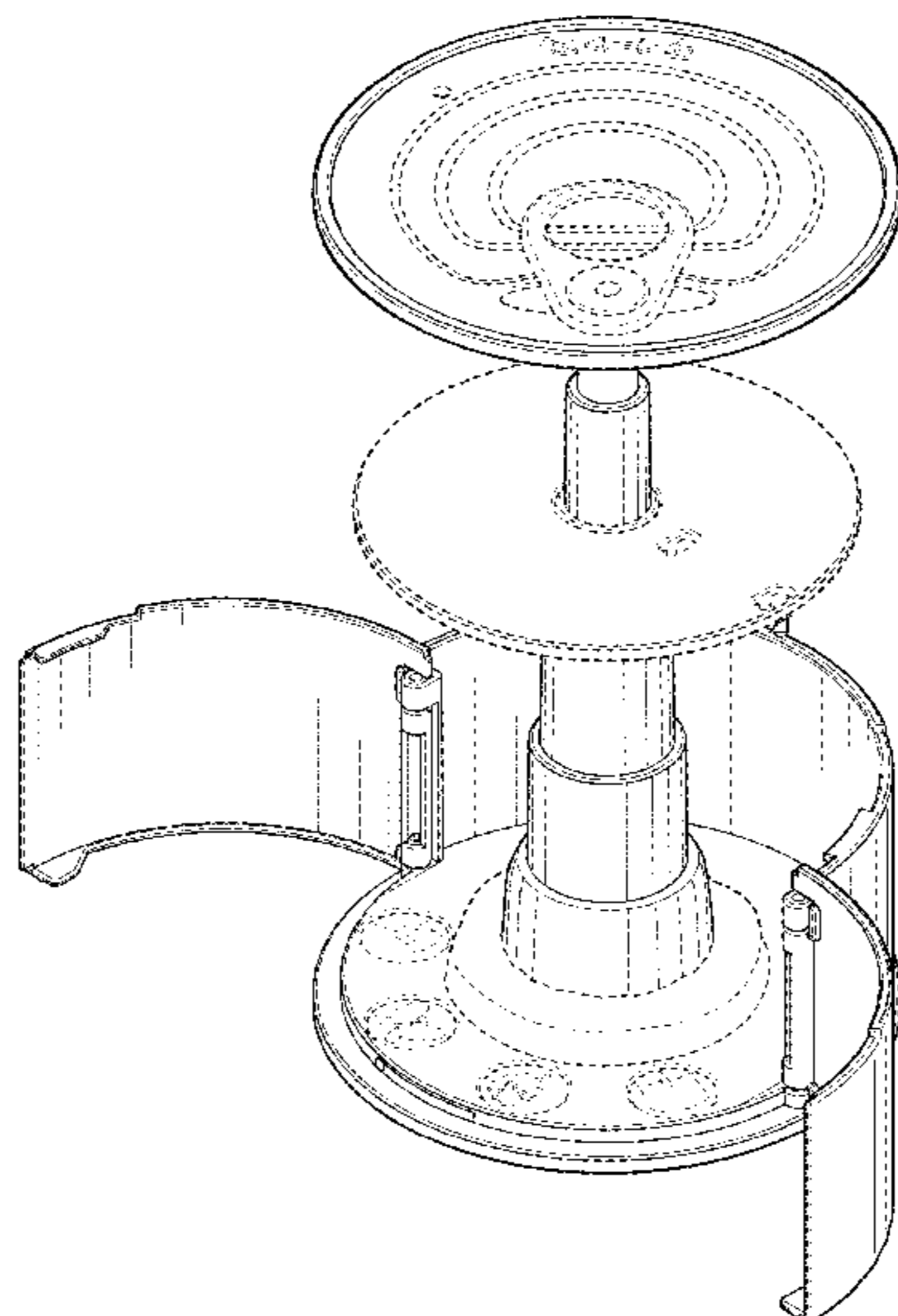
(57) **CLAIM**

The ornamental design for a collapsible toy, as shown and described.

DESCRIPTION

FIG. 1 is a top perspective view of a collapsible toy showing our new design;
FIG. 2 is a bottom perspective view thereof;
FIG. 3 is a front view thereof;
FIG. 4 is a rear view thereof;
FIG. 5 is a right side view thereof;
FIG. 6 is left side view thereof;
FIG. 7 is a top view thereof; and,
FIG. 8 is a bottom view thereof.
The broken lines depict the portions of the collapsible toy that form no part of the claimed design. The unshaded areas within the broken lines likewise form no part of the claimed design.

1 Claim, 7 Drawing Sheets



(56)

References Cited

U.S. PATENT DOCUMENTS

1,879,755 A * 9/1932 Kneen B65D 85/672
 206/398
 2,446,540 A 8/1948 Leach
 D151,292 S * 10/1948 Smith D21/589
 2,858,644 A 11/1958 Derham
 2,977,034 A * 3/1961 Bartlett B65H 35/0026
 225/47
 3,583,090 A * 6/1971 Fogarty A63H 3/52
 446/75
 3,744,417 A * 7/1973 Kaneko A63H 37/00
 102/357
 D254,341 S * 3/1980 Sacks D3/238
 4,577,753 A * 3/1986 Marhal A63H 3/005
 206/232
 D322,280 S * 12/1991 English D1/129
 5,178,298 A * 1/1993 Allina B65D 83/0418
 206/457
 D423,778 S * 5/2000 Rahal D3/271.1
 D542,153 S * 5/2007 Farrow D9/779
 D760,092 S * 6/2016 Goldman D21/483
 2003/0064661 A1 4/2003 Herber
 2004/0097165 A1* 5/2004 Wong A47G 33/06
 446/320
 2020/0283195 A1* 9/2020 Falerni A63H 37/00

FOREIGN PATENT DOCUMENTS

DE 102010033370 A1 * 2/2012 A63H 3/52
 GB 356034 A * 9/1931 A63H 13/16
 GB 738375 10/1955
 GB 1315649 5/1973
 WO WO 2006/006673 1/2006

* cited by examiner

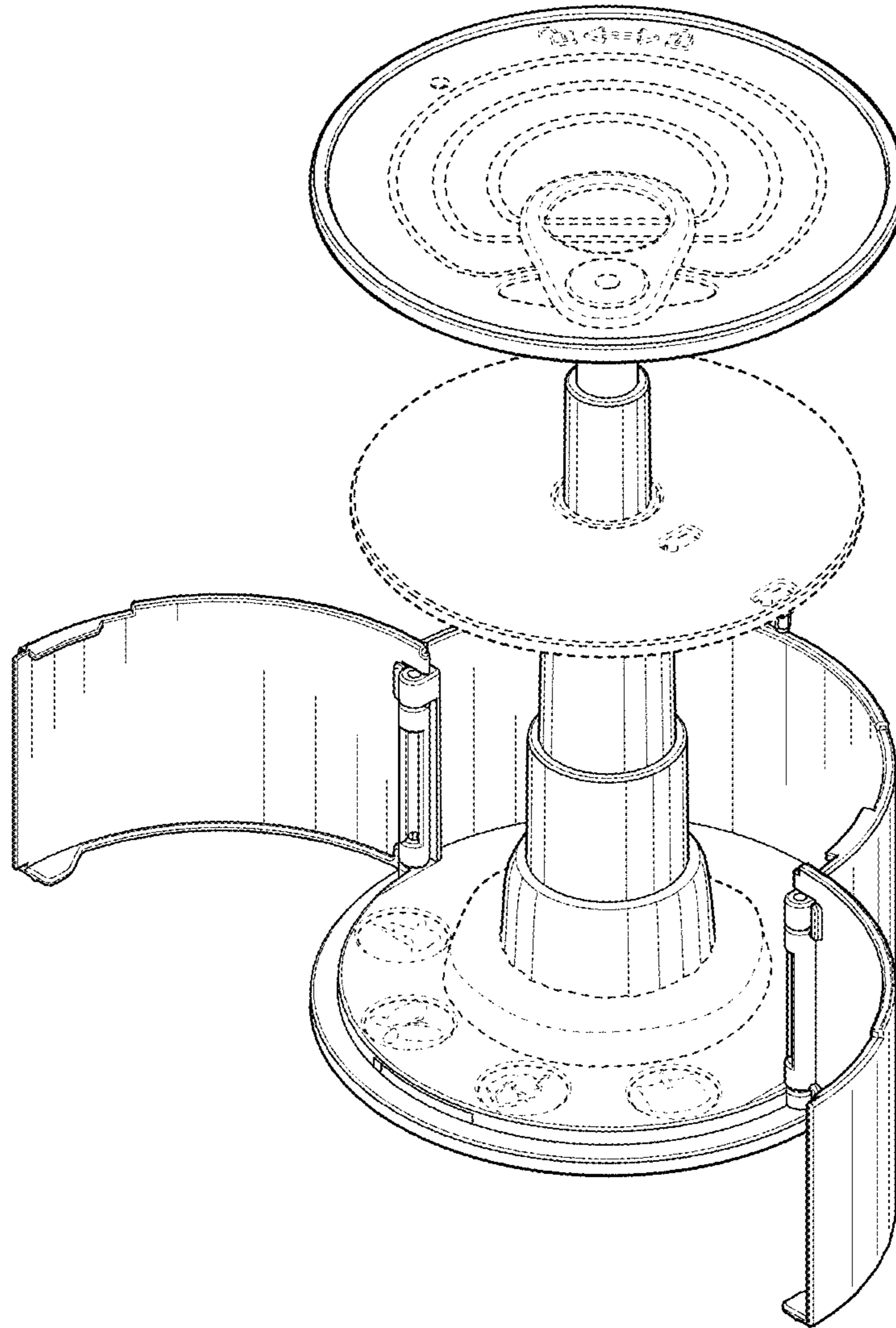


FIG. 1

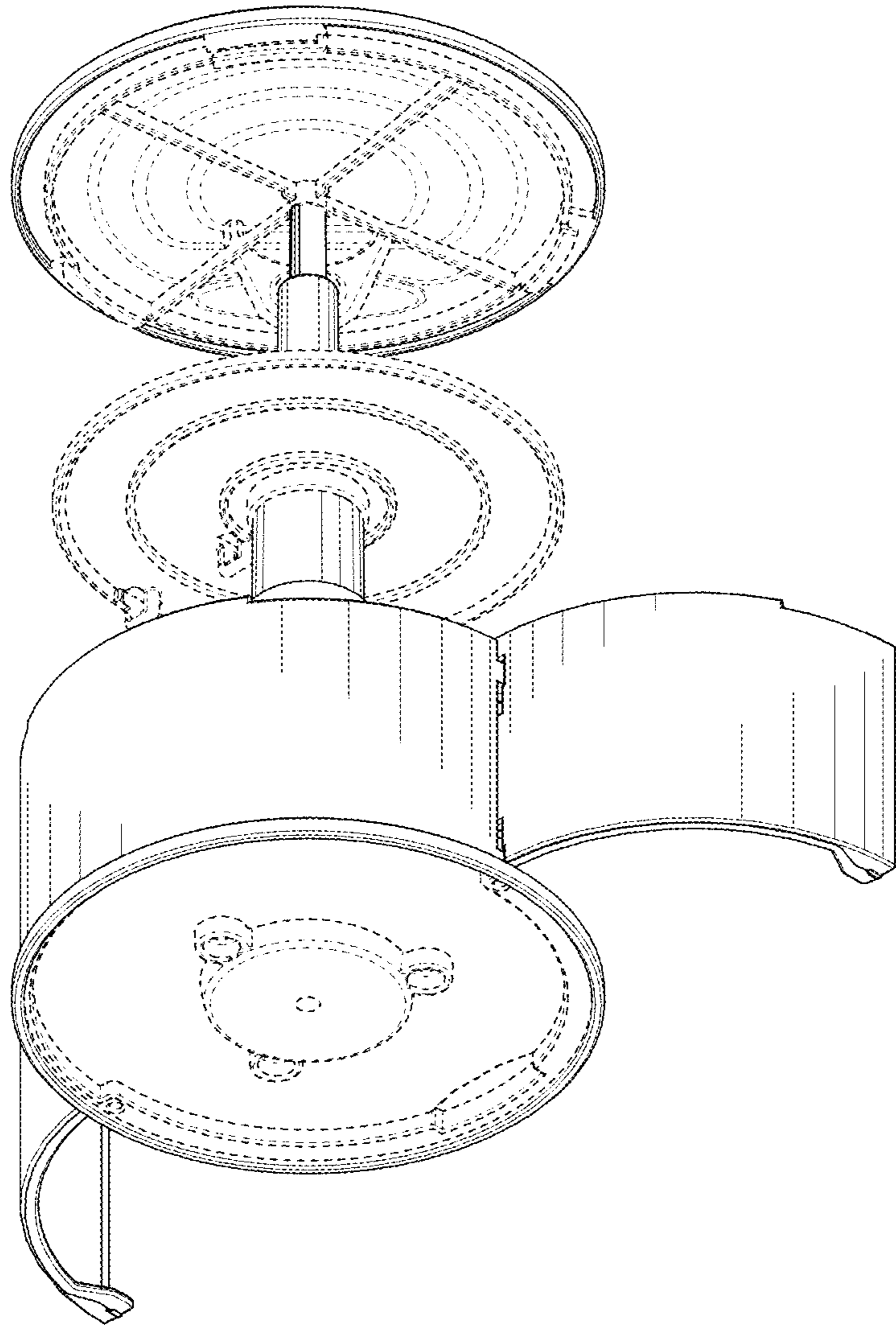


FIG. 2

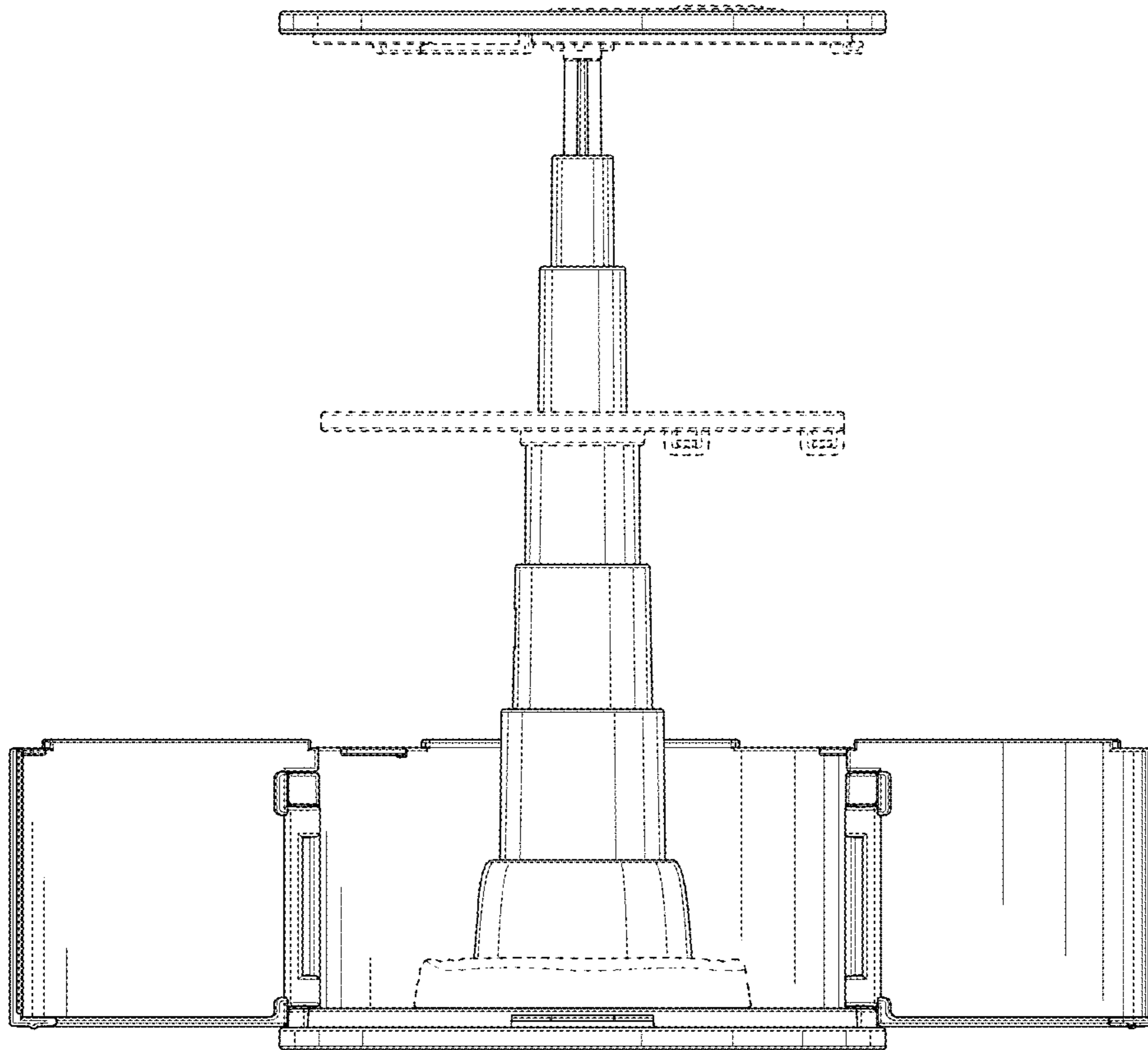


FIG. 3

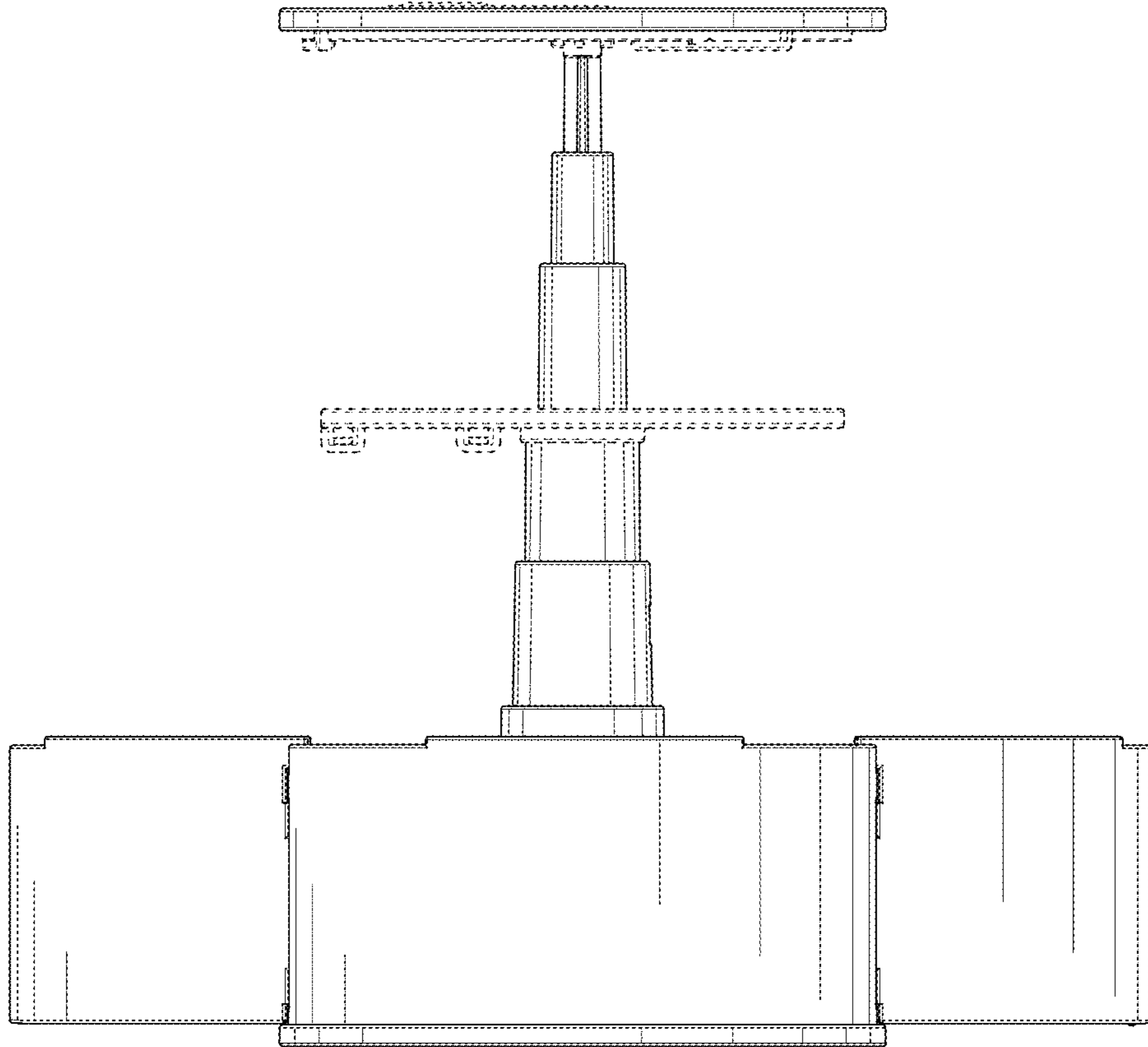


FIG. 4

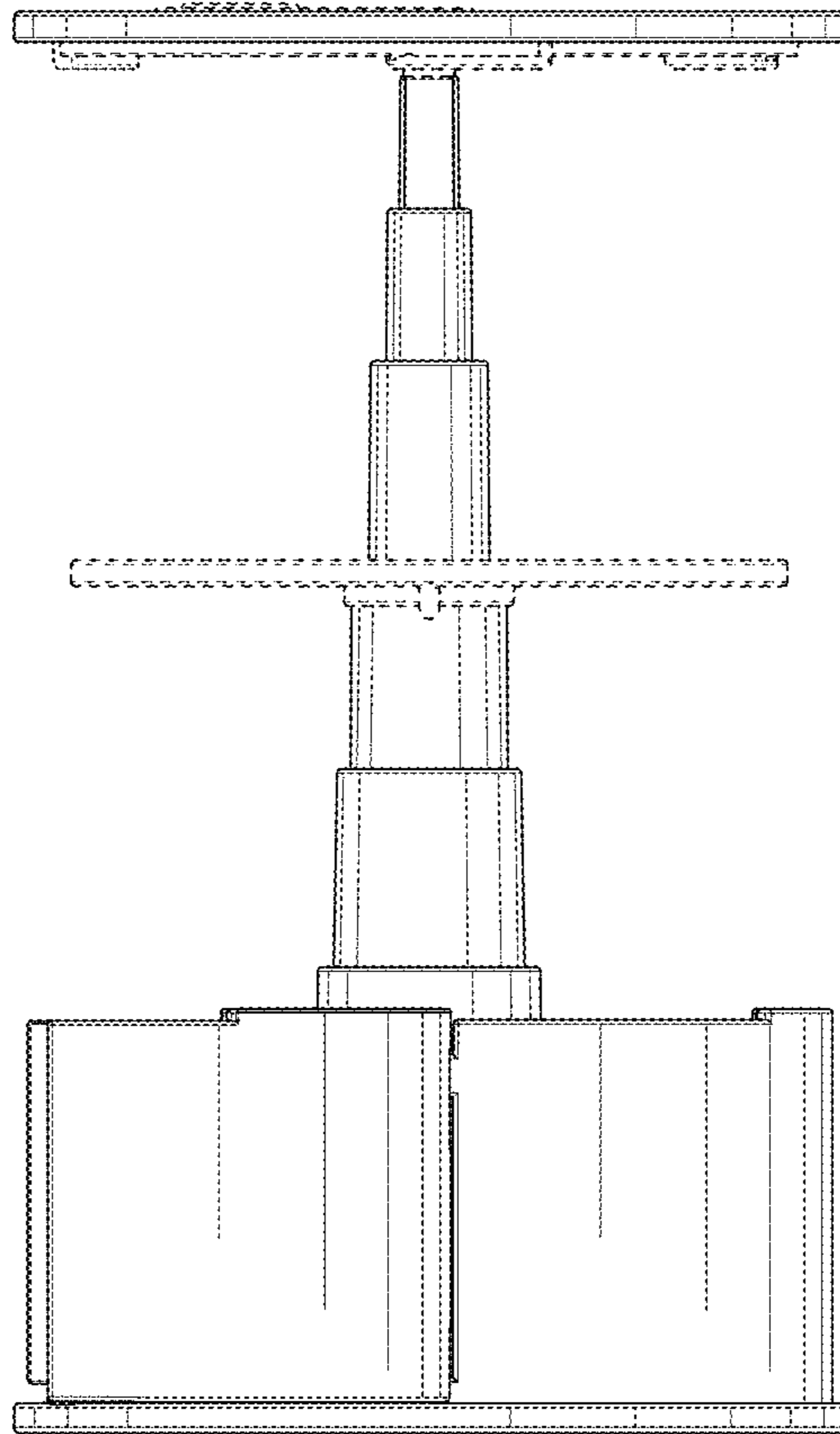


FIG. 5

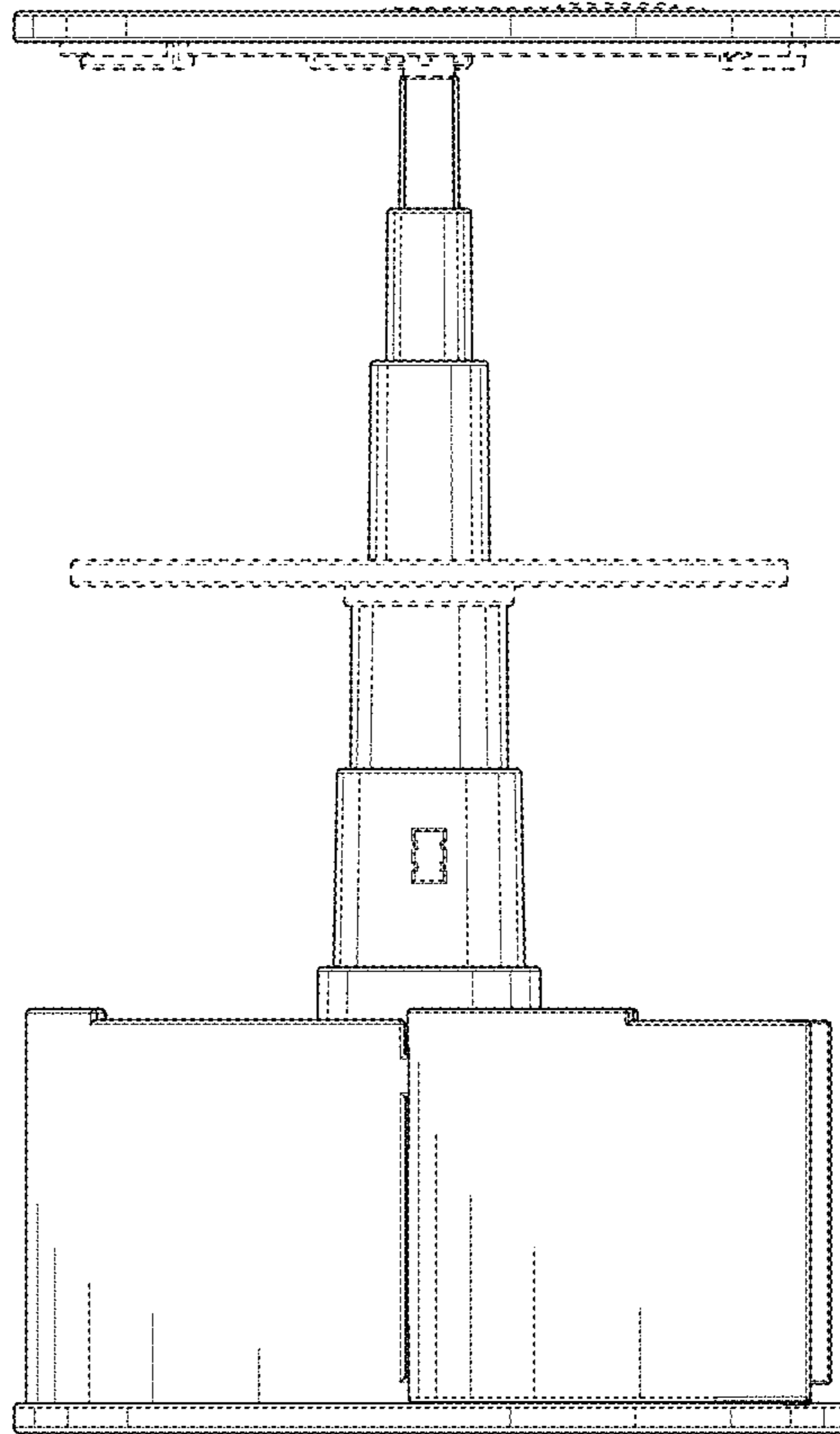


FIG. 6

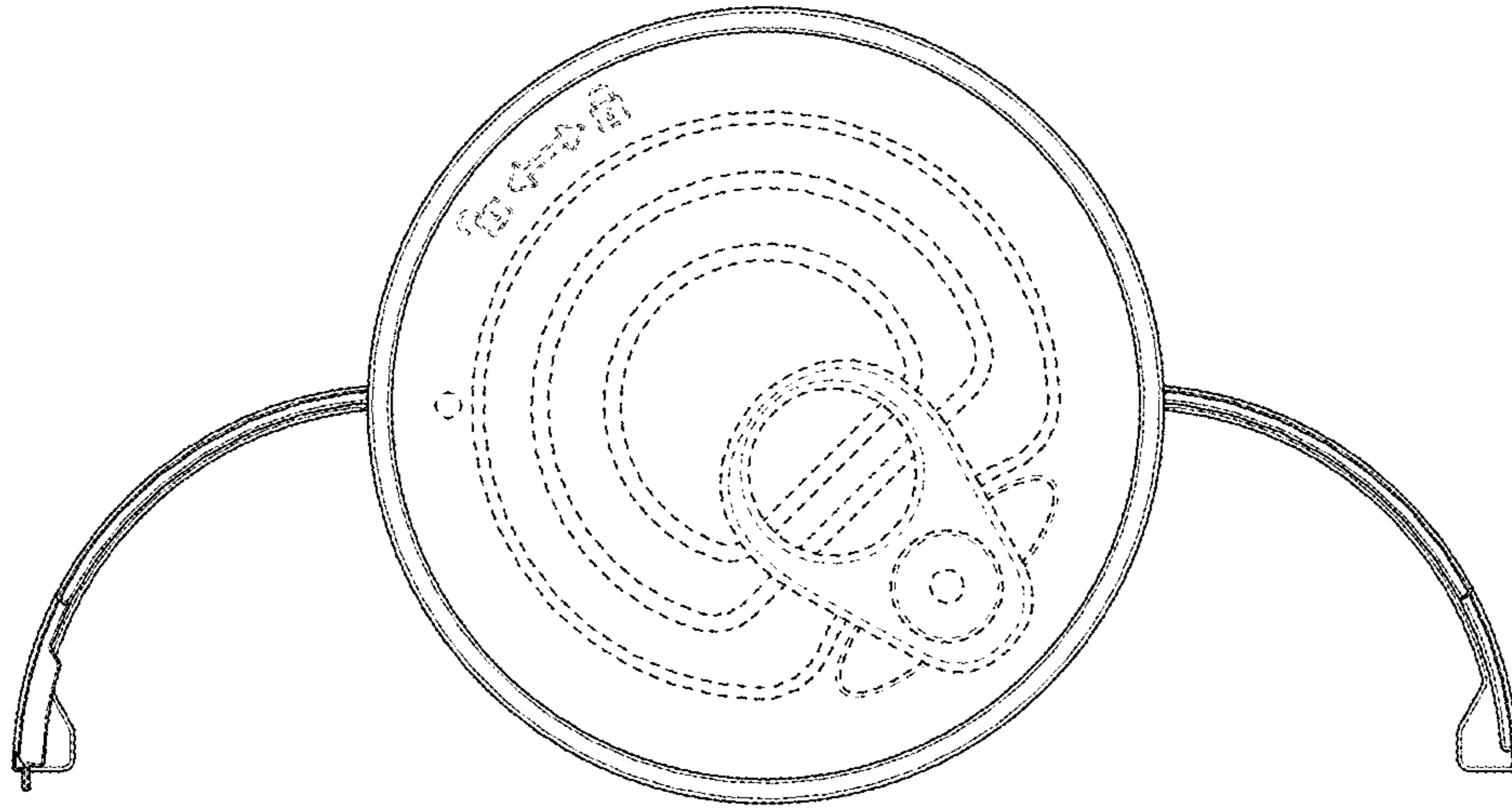


FIG. 7

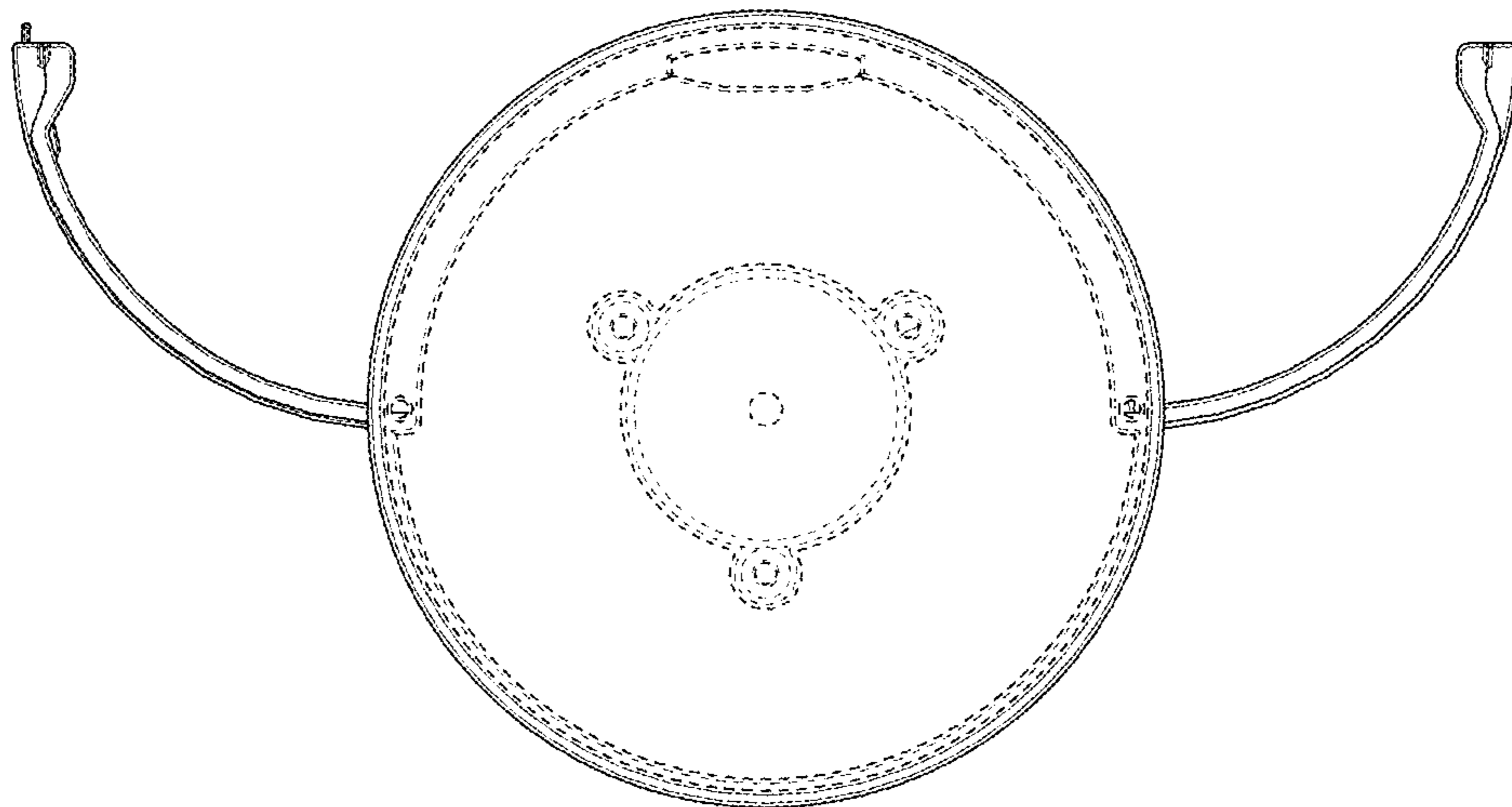


FIG. 8