



US00D911456S

(12) **United States Design Patent** (10) **Patent No.:** **US D911,456 S**
Yu (45) **Date of Patent:** **** Feb. 23, 2021**

- (54) **ELECTRIC SCOOTER**
- (71) Applicant: **Hongpeng Yu**, Shenzhen (CN)
- (72) Inventor: **Hongpeng Yu**, Shenzhen (CN)
- (**) Term: **15 Years**
- (21) Appl. No.: **29/763,551**
- (22) Filed: **Dec. 23, 2020**

D832,930 S *	11/2018	Shen	D21/423
D834,097 S *	11/2018	Lin	D21/423
D835,206 S *	12/2018	Lin	D21/423
D849,153 S *	5/2019	Zhang	D21/423
D860,917 S *	9/2019	Tan	D12/423
D889,557 S *	7/2020	Cao	D21/423
D897,446 S *	9/2020	Lee	D21/423
D900,237 S *	10/2020	Lee	D21/423
D901,595 S *	11/2020	Chen	D21/423
D905,793 S *	12/2020	Yang	D21/423
2020/0283086 A1 *	9/2020	Ulmen	B62M 6/65
2020/0398958 A1 *	12/2020	Gao	B63C 11/52

* cited by examiner

Related U.S. Application Data

- (63) Continuation-in-part of application No. 29/710,714, filed on Oct. 25, 2019, now abandoned.
- (51) **LOC (13) Cl.** **21-01**
- (52) **U.S. Cl.**
USPC **D21/423**
- (58) **Field of Classification Search**
USPC D21/419, 421, 423, 760, 765, 771;
D12/1, 8, 107, 110, 112, 113, 114
CPC B62K 3/002; B62K 9/00; B62K 2202/00;
B60Y 2200/126
See application file for complete search history.

Primary Examiner — Cynthia M. Chin

(74) *Attorney, Agent, or Firm* — Rumit R. Kanakia

(57) **CLAIM**

I claim the ornamental design for an electric scooter, as shown and described.

DESCRIPTION

FIG. 1 is a Perspective view of an electric scooter showing my new design;
 FIG. 2 is a Bottom view thereof;
 FIG. 3 is a Top view thereof;
 FIG. 4 is a Right-side view thereof;
 FIG. 5 is a Left-side view thereof;
 FIG. 6 is a Back view thereof; and,
 FIG. 7 is a Front view thereof.

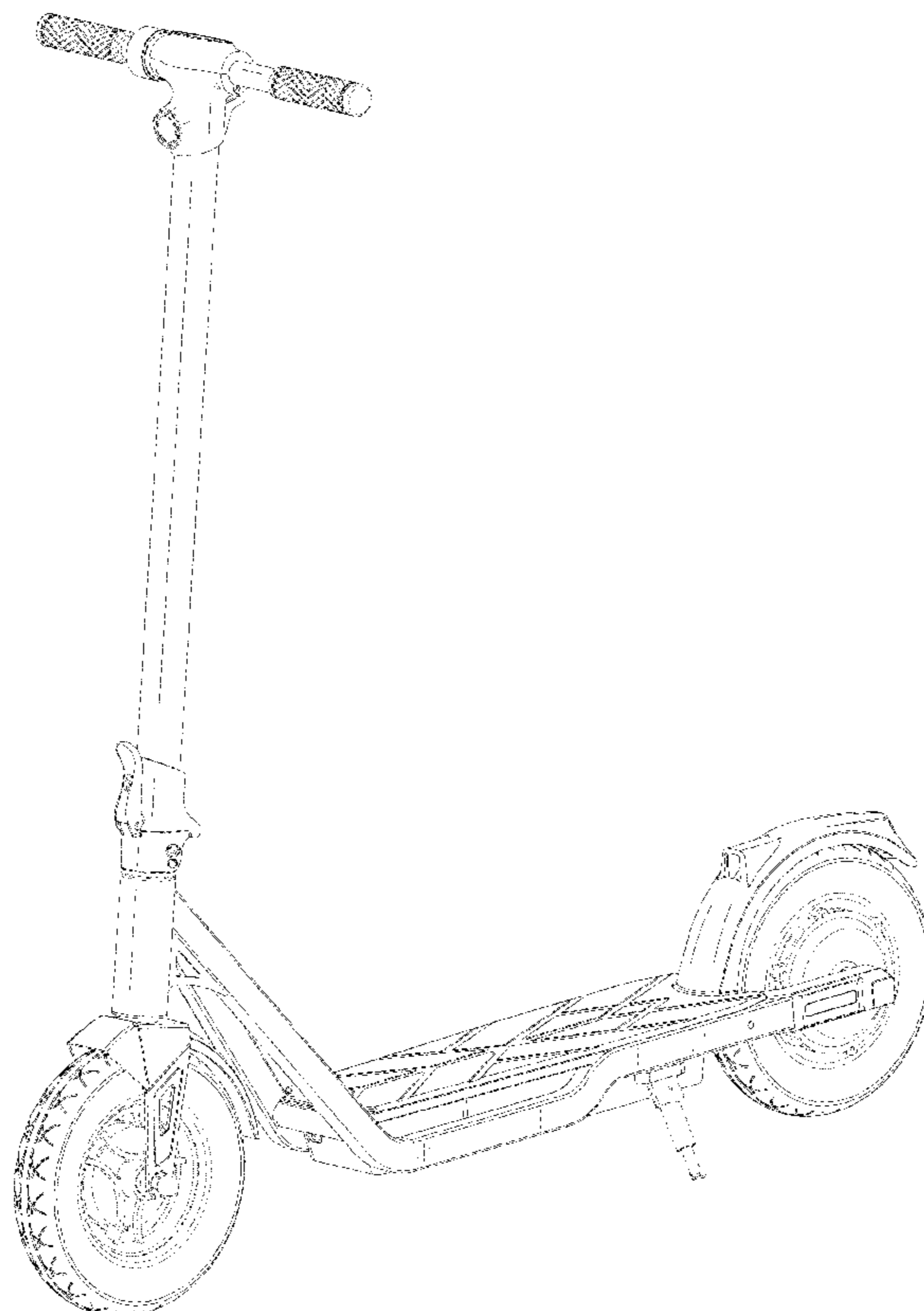
The broken lines in the drawings depict portions of the electric scooter that form no part of the claimed design.

(56) **References Cited**

U.S. PATENT DOCUMENTS

8,511,695 B2 *	8/2013	Johnson	B62K 3/002	280/87.041
D829,826 S *	10/2018	Liu	D21/423	
D830,468 S *	10/2018	Liu	D21/423	

1 Claim, 7 Drawing Sheets



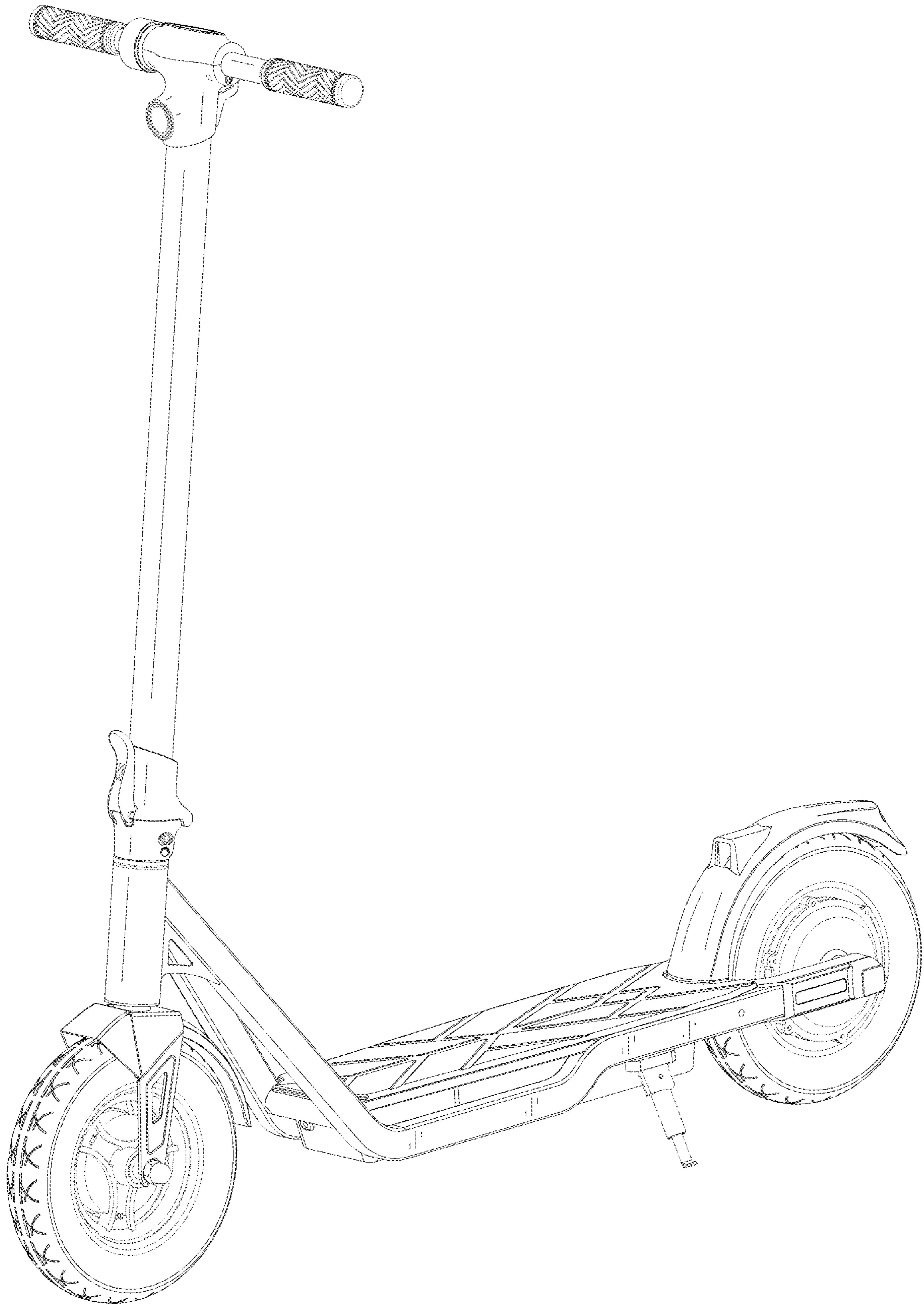


FIG. 1

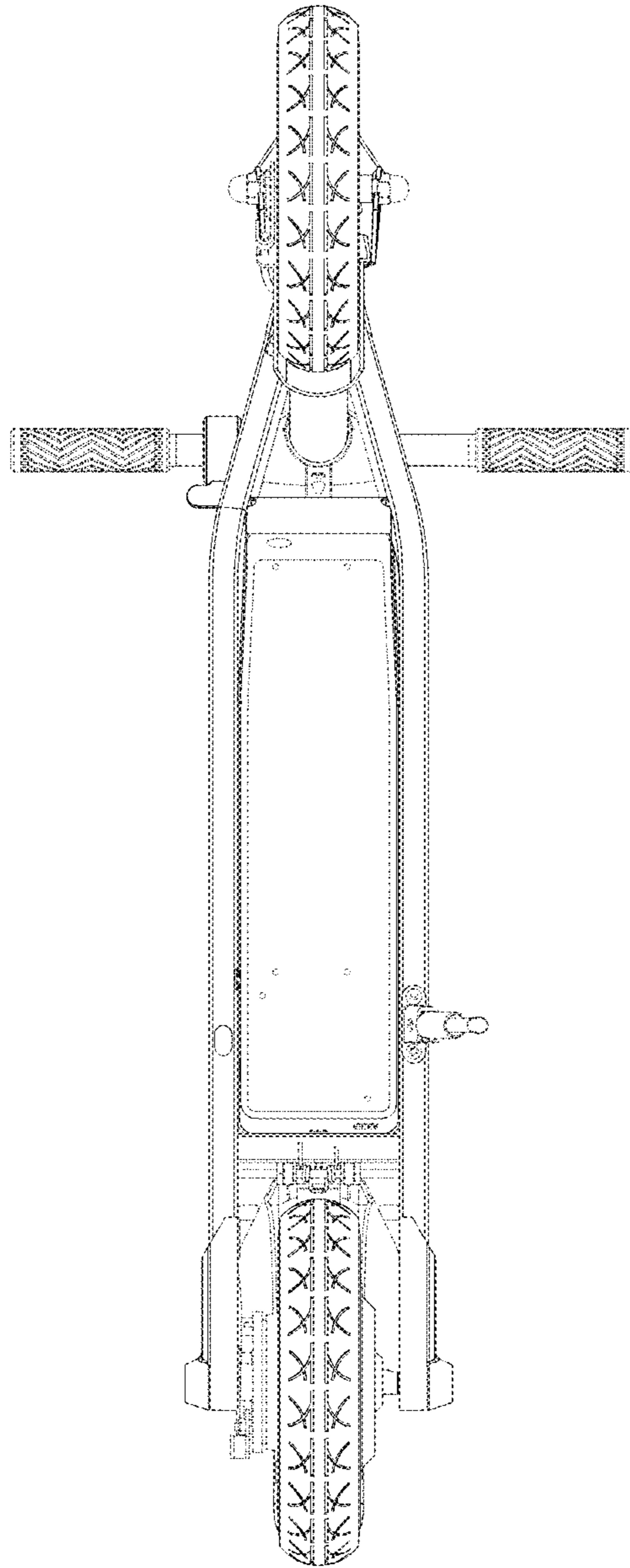


FIG. 2

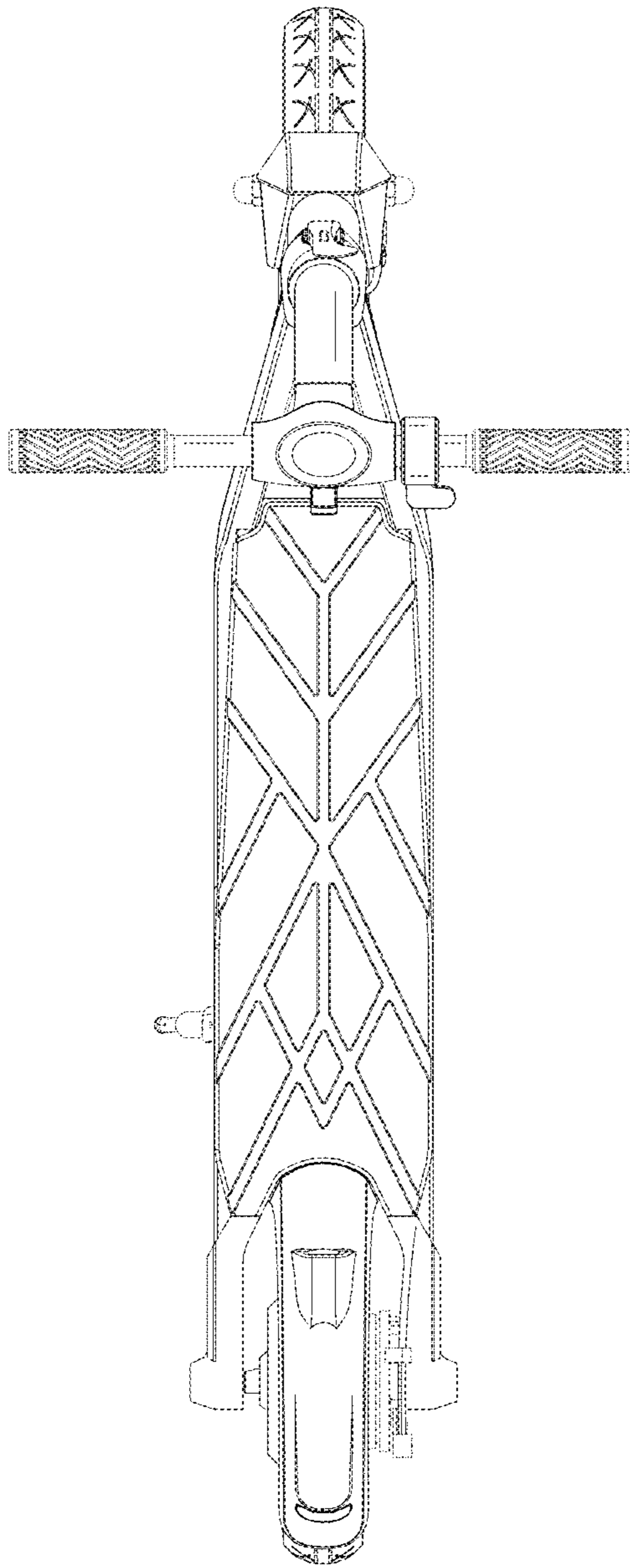


FIG. 3

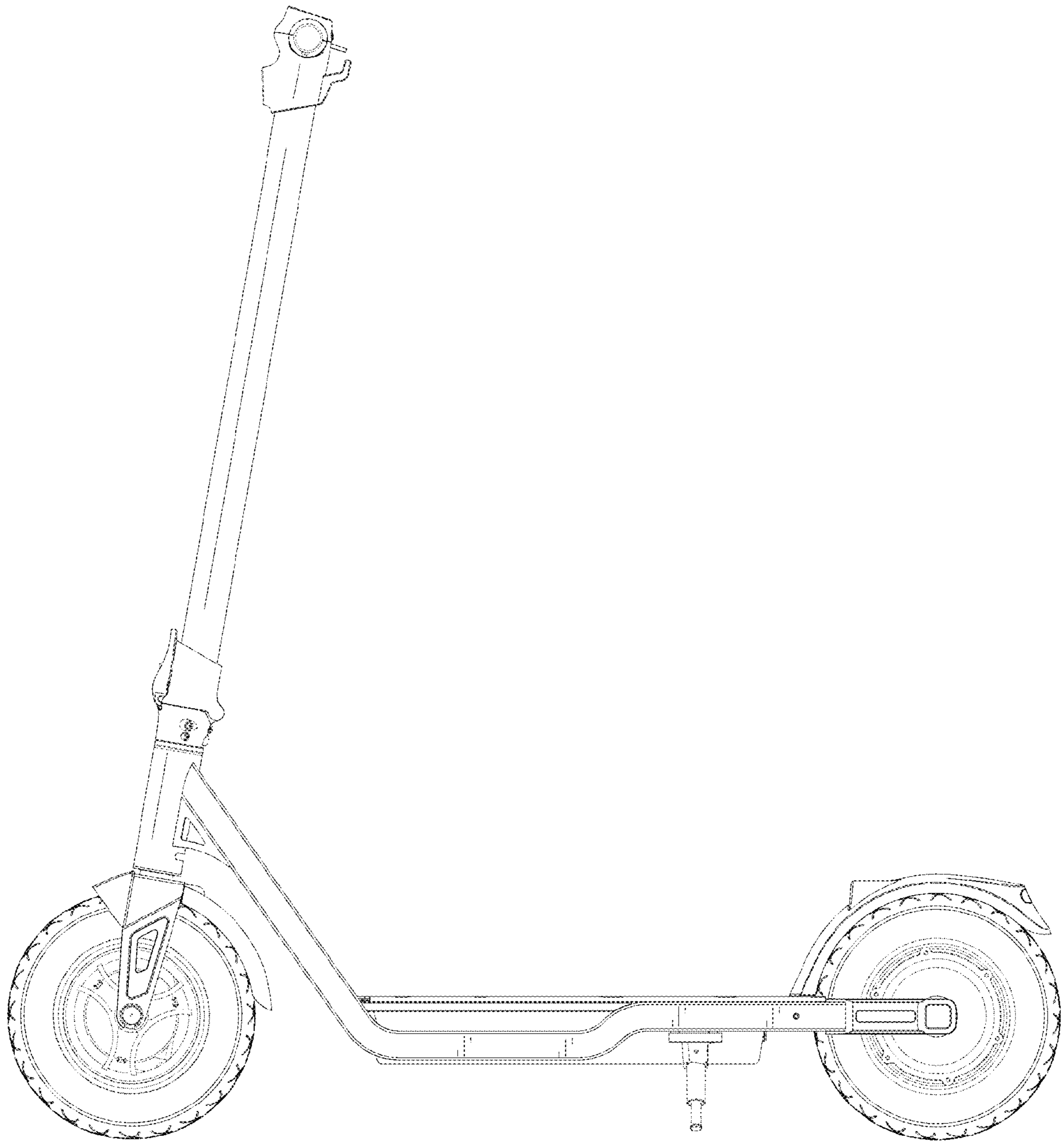


FIG. 4

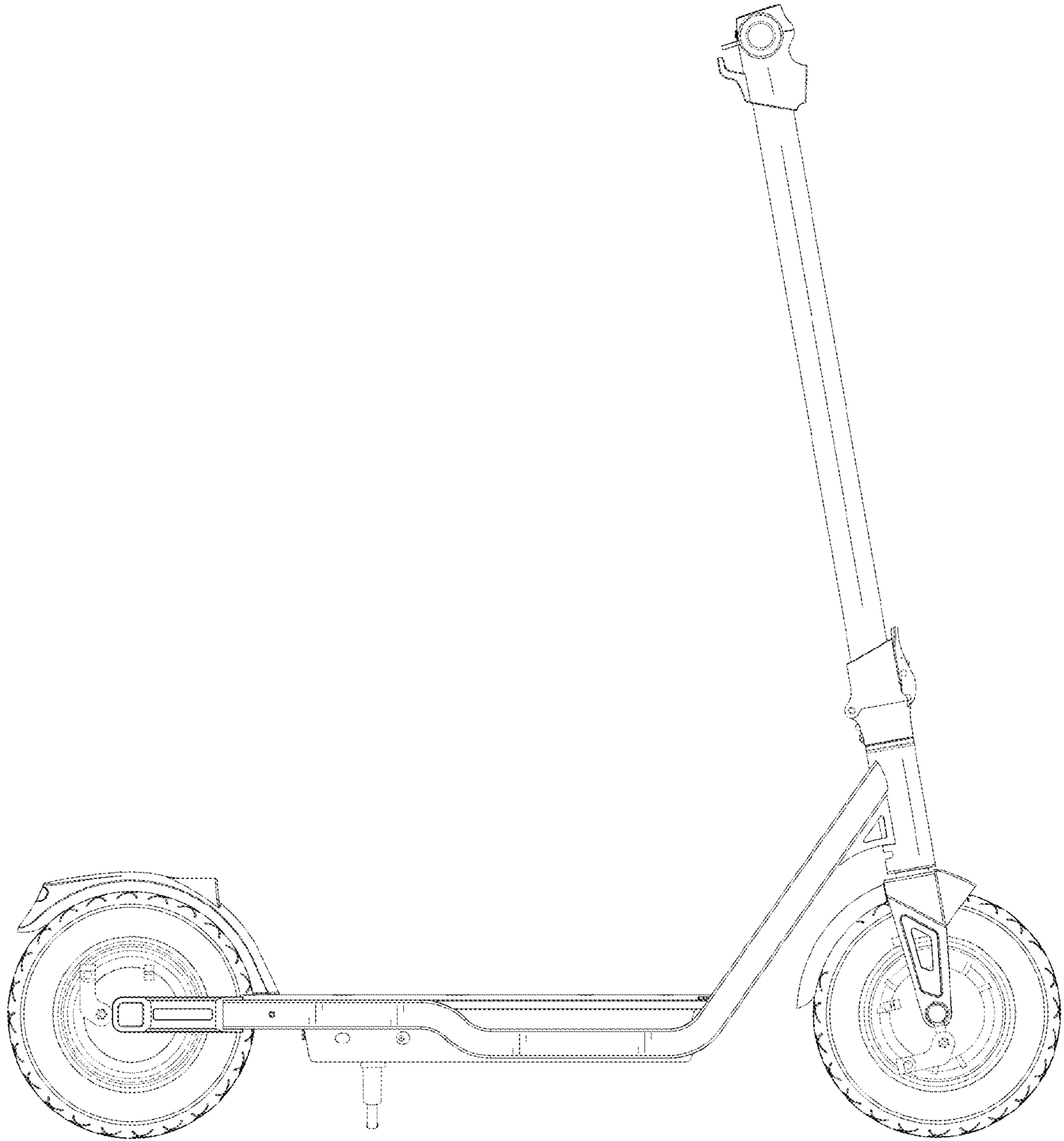


FIG. 5

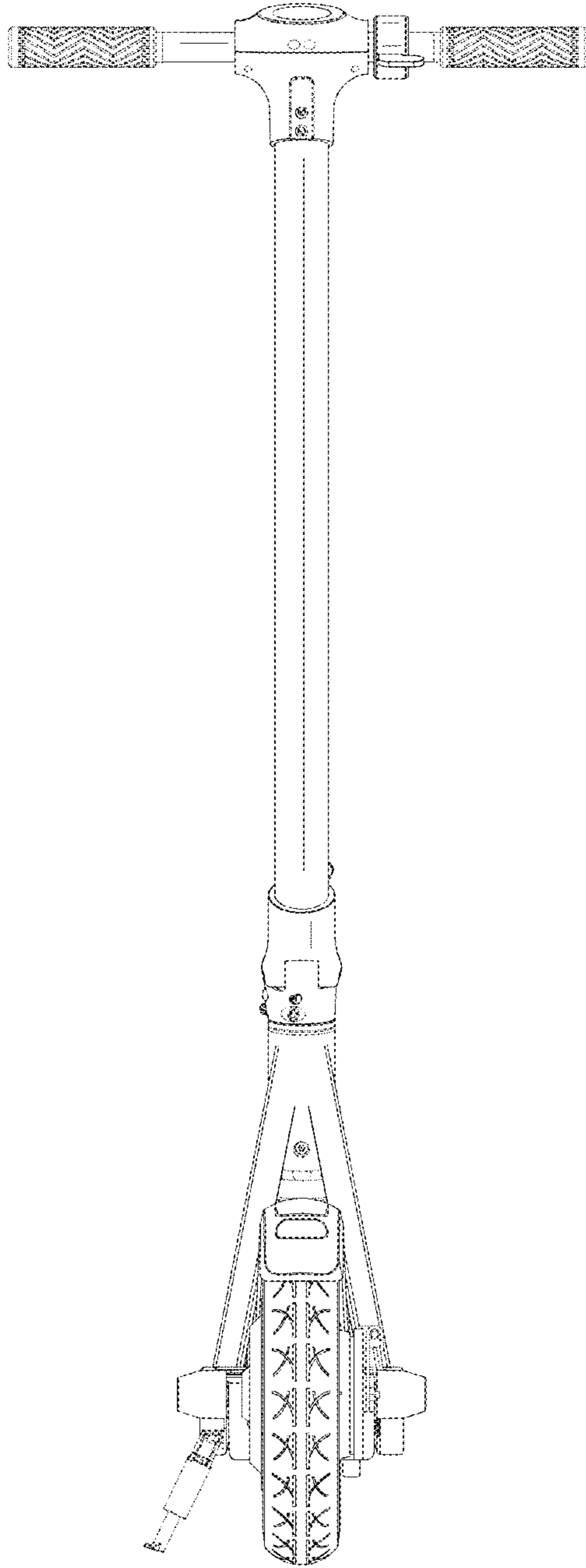


FIG. 6

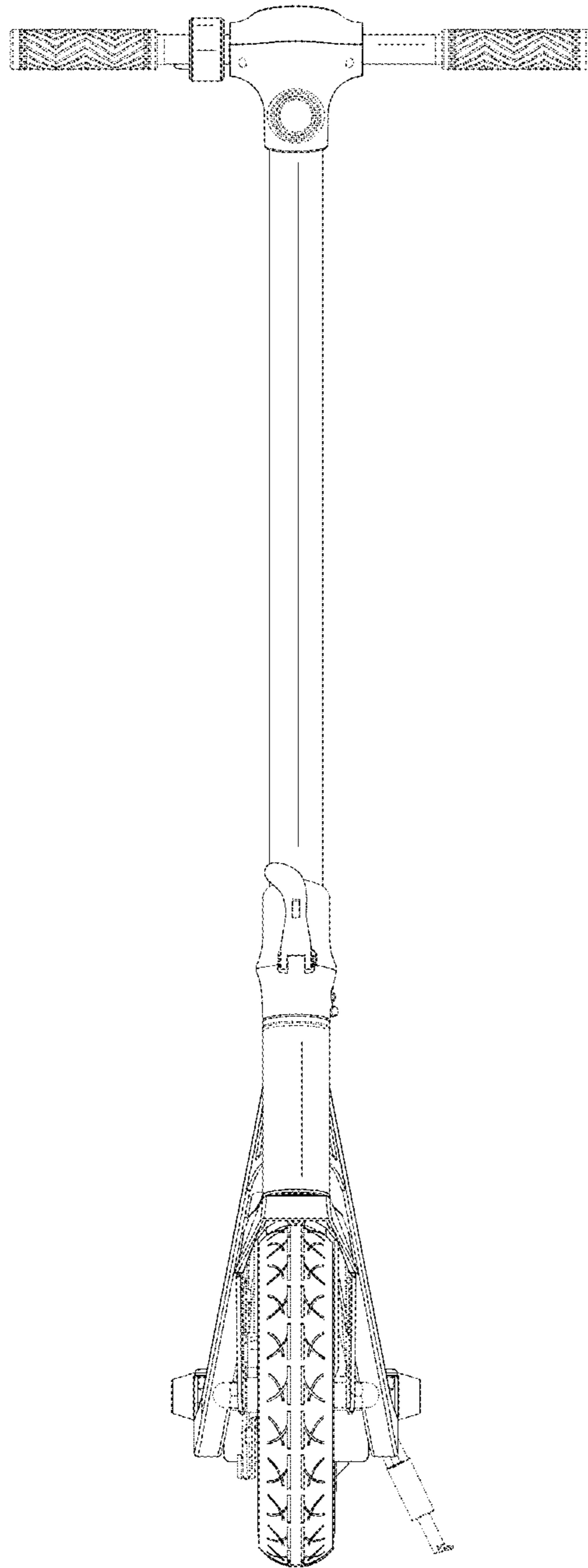


FIG. 7