



US00D911455S

(12) **United States Design Patent** (10) **Patent No.:** **US D911,455 S**
Huang (45) **Date of Patent:** **** Feb. 23, 2021**

- (54) **ELECTRIC SCOOTER**
- (71) Applicant: **RAZOR USA LLC**, Cerritos, CA (US)
- (72) Inventor: **Joey Chih-Wei Huang**, Temple City, CA (US)
- (73) Assignee: **RAZOR USA LLC**, Cerritos, CA (US)
- (**) Term: **15 Years**
- (21) Appl. No.: **29/720,680**
- (22) Filed: **Jan. 15, 2020**

- D433,718 S 11/2000 Mcgreen
 - D435,873 S 1/2001 Lee
 - D435,874 S 1/2001 Cheng
 - 6,179,307 B1 1/2001 Mao
 - D438,911 S 3/2001 Chen
 - D438,912 S 3/2001 Barrera
 - D439,623 S 3/2001 Barrera
 - 6,199,652 B1 3/2001 Mastroianni et al.
- (Continued)

FOREIGN PATENT DOCUMENTS

- CH 598051 4/1978
 - CN 2448414 Y 9/2001
- (Continued)

Related U.S. Application Data

- (63) Continuation of application No. 29/647,834, filed on May 16, 2018, now Pat. No. Des. 873,349, which is a continuation of application No. 29/577,038, filed on Sep. 8, 2016, now Pat. No. Des. 818,541.
- (51) **LOC (13) Cl.** **21-01**
- (52) **U.S. Cl.**
USPC **D21/423**
- (58) **Field of Classification Search**
USPC D21/419, 421, 423, 426-428, 435, 760, D21/765, 771; D12/1, 8, 108, 112, 113
CPC . B62K 3/002; B62K 9/00; B62K 9/02; B62K 13/00; B62K 2202/00; B62K 11/00; B62K 11/02; B62K 11/06; B62K 11/10; B62K 15/00; B62K 17/00; H04W 4/40
See application file for complete search history.

OTHER PUBLICATIONS

U.S. Appl. No. 29/591,292, filed Jan. 18, 2017, Huang et al.
(Continued)

Primary Examiner — Cynthia M. Chin
(74) *Attorney, Agent, or Firm* — Knobbe Martens Olson & Bear, LLP

(57) **CLAIM**

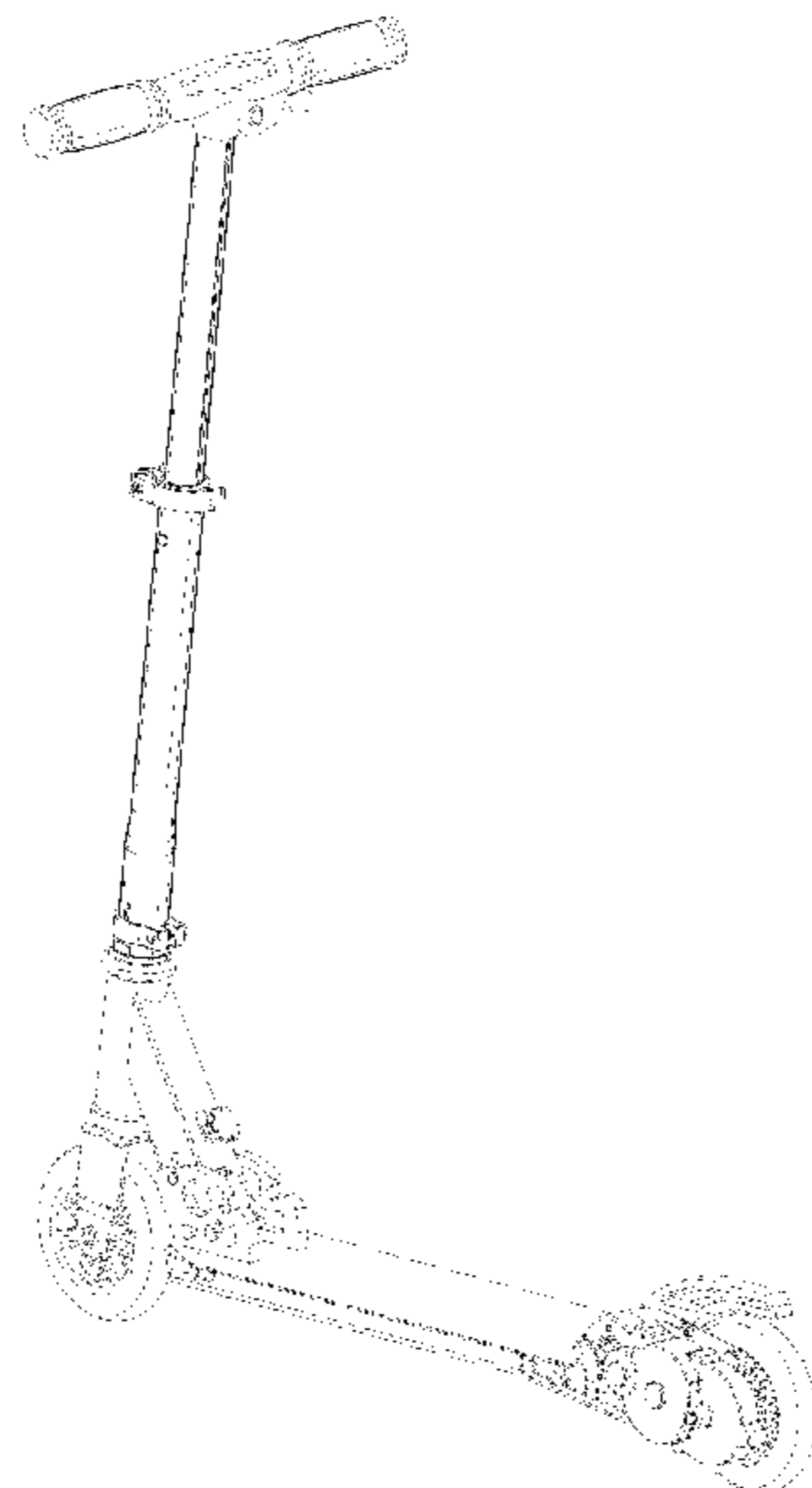
The ornamental design for an electric scooter, as shown and described.

DESCRIPTION

FIG. 1 is a top, rear, left-side perspective view showing of an electric scooter of my design;
FIG. 2 is a front view thereof;
FIG. 3 is a rear view thereof;
FIG. 4 is a left-side view thereof;
FIG. 5 is a right-side view thereof;
FIG. 6 is a top view thereof; and,
FIG. 7 is a bottom view thereof.
The broken lines illustrate portions of the electric scooter that form no part of the claimed design.

1 Claim, 6 Drawing Sheets

- (56) **References Cited**
U.S. PATENT DOCUMENTS
- | | | |
|-------------|---------|----------|
| 4,094,372 A | 6/1978 | Notter |
| 4,842,091 A | 6/1989 | Badsey |
| D326,290 S | 5/1992 | Badsey |
| 5,662,187 A | 9/1997 | McGovern |
| 5,848,660 A | 12/1998 | McGreen |
| 6,029,763 A | 2/2000 | Swisher |
| 6,139,035 A | 10/2000 | Tsai |



(56)

References Cited

U.S. PATENT DOCUMENTS

6,206,387 B1 3/2001 Tsai
 6,234,501 B1* 5/2001 Chen C23F 1/46
 16/900
 D444,824 S 7/2001 Udwin et al.
 D446,259 S 8/2001 Udwin et al.
 D447,187 S 8/2001 Powers
 D447,188 S 8/2001 Lan
 6,270,095 B1* 8/2001 Chang B62K 3/002
 280/87.041
 6,273,205 B1 8/2001 Tsai
 6,283,485 B1* 9/2001 Tsai B62K 3/002
 280/87.041
 6,296,082 B1 10/2001 Tsai
 6,298,952 B1 10/2001 Tsai
 D450,355 S 11/2001 Chan
 D452,284 S 12/2001 McGinnis
 D453,198 S 1/2002 Dudley
 D453,804 S 2/2002 Robinson
 6,345,678 B1 2/2002 Chang
 D454,377 S 3/2002 Hsu et al.
 D456,460 S 4/2002 Tseng
 6,378,880 B1 4/2002 Lin
 6,382,366 B1 5/2002 Chang
 6,386,330 B1 5/2002 Wei
 6,394,213 B1 5/2002 Tsai
 6,409,190 B1* 6/2002 Tsai B62K 3/002
 280/270
 D459,761 S 7/2002 Chen
 6,416,060 B1 7/2002 Chen
 6,428,021 B1 8/2002 Tung
 6,443,470 B1 9/2002 Ulrich et al.
 D464,379 S 10/2002 Lin
 6,462,493 B2 10/2002 Lan
 6,481,728 B2 11/2002 Chen
 6,481,729 B2 11/2002 Herman et al.
 D471,597 S 3/2003 Chen
 D471,598 S 3/2003 Chen
 D475,093 S 5/2003 Furter et al.
 6,619,416 B2 9/2003 Lan
 6,619,679 B2 9/2003 Lan
 6,672,607 B2 1/2004 Chung
 D486,532 S 2/2004 Christianson
 6,739,421 B1 5/2004 Miya
 D492,367 S 6/2004 Dennis
 D497,397 S 10/2004 Sramek
 6,832,660 B2 12/2004 Dodd
 D513,629 S 1/2006 Sramek
 D516,132 S 2/2006 Sramek
 7,156,405 B1* 1/2007 Ming B62K 3/002
 280/278
 7,351,265 B2 4/2008 Vitale et al.
 D569,447 S 5/2008 Thomas
 7,431,110 B2 10/2008 Greenwood et al.
 D579,987 S 11/2008 Hong
 7,584,974 B2* 9/2009 Jackman B62K 3/002
 180/181
 D603,463 S 11/2009 Jessie, Jr.
 7,654,356 B2 2/2010 Wu
 7,976,035 B2 7/2011 Chan
 D645,522 S 9/2011 Powers et al.
 D654,963 S 2/2012 Powers et al.
 D656,560 S 3/2012 Patterson et al.
 8,292,018 B2 10/2012 Huang
 D671,600 S 11/2012 Horne
 D672,400 S 12/2012 Pizzi
 D684,217 S 6/2013 Hadley
 D686,674 S* 7/2013 Hadley D21/423
 D691,671 S 10/2013 Chen et al.
 D692,963 S 11/2013 Radtke et al.
 D693,414 S 11/2013 Hadley et al.
 D698,868 S 2/2014 Chan
 D710,949 S 8/2014 Huang
 8,813,892 B2 8/2014 Hadley et al.
 D714,396 S 9/2014 Talios

D715,870 S 10/2014 Talios
 8,870,200 B2 10/2014 Chen
 D717,881 S 11/2014 Radtke et al.
 8,925,935 B2 1/2015 Powers et al.
 D727,833 S 4/2015 Talios et al.
 9,045,189 B2 6/2015 Lovley, II et al.
 D736,324 S 8/2015 Lu et al.
 9,114,821 B1 8/2015 Xu
 D738,435 S 9/2015 O'Connell
 D748,738 S 2/2016 Hadley et al.
 D750,180 S 2/2016 Edlauer
 9,321,504 B2 4/2016 Hadley et al.
 D756,464 S 5/2016 Edlauer
 D756,465 S 5/2016 Byrne et al.
 D772,990 S 11/2016 Allais
 D774,145 S 12/2016 Hadley et al.
 D774,601 S 12/2016 Mizrahi et al.
 D777,844 S 1/2017 Connell
 D778,806 S 2/2017 Welford
 9,592,876 B2 3/2017 Lovley, II et al.
 9,660,500 B2 5/2017 Huang
 D806,176 S 12/2017 Peng
 D810,836 S 2/2018 Hadley
 D811,489 S 2/2018 Hadley et al.
 D815,215 S 4/2018 Desberg
 D818,541 S 5/2018 Huang
 D829,826 S 10/2018 Liu et al.
 D830,468 S 10/2018 Liu
 10,099,745 B2 10/2018 Hadley et al.
 D834,097 S 11/2018 Lin et al.
 10,124,851 B2 11/2018 Lovley, II et al.
 D836,727 S 12/2018 Wilson et al.
 D837,303 S 1/2019 Desberg
 D839,358 S 1/2019 Cao
 D839,359 S 1/2019 Hadley
 10,189,533 B2 1/2019 Lovley, II et al.
 D849,153 S 5/2019 Zhang et al.
 D855,115 S 7/2019 Yan
 D872,192 S 1/2020 Hadley
 D873,349 S 1/2020 Huang
 10,737,743 B2 8/2020 Hadley et al.
 2002/0093161 A1 7/2002 Udwin et al.
 2002/0170763 A1 11/2002 Townsend
 2003/0168273 A1 9/2003 Ducharme et al.
 2003/0221888 A1 12/2003 McKinney, Jr. et al.
 2004/0129472 A1* 7/2004 Cheng B62K 3/002
 180/181
 2005/0012289 A1 1/2005 Wang et al.
 2005/0173175 A1 8/2005 Lee
 2006/0049595 A1 3/2006 Crigler et al.
 2007/0045976 A1 3/2007 Wu
 2008/0203691 A1 8/2008 Hsu
 2009/0071740 A1 3/2009 Palmer
 2009/0160150 A1 6/2009 Johnson
 2010/0123295 A1 5/2010 Landau
 2013/0026734 A1 1/2013 Zhang et al.
 2013/0087983 A1 4/2013 Ngai
 2013/0186698 A1 7/2013 Sarokhan
 2013/0320648 A1 12/2013 Eckert et al.
 2017/0240239 A1 8/2017 Huang et al.
 2019/0193809 A1 6/2019 Hadley
 2019/0263468 A1 8/2019 Huang

FOREIGN PATENT DOCUMENTS

CN 2452873 10/2001
 CN 204021174 U 12/2014
 DE 201 07 388 U1 7/2001
 JP 2001-225775 A 8/2001
 JP 3081197 U 10/2001
 WO WO 2015/095368 6/2015
 WO WO 2015/114614 A2 8/2015
 WO WO 2017/127464 A1 7/2017

OTHER PUBLICATIONS

U.S. Appl. No. 29/637,724, filed Feb. 21, 2018, Hadley.
 International Search Report in co-pending International Application
 No. PCT/US2017/013998, dated May 25, 2017, in 4 pages.

(56)

References Cited

OTHER PUBLICATIONS

International Preliminary Report on Patentability in International Application No. PCT/US2017/013998, dated Jul. 24, 2018, in 10 pages.

* cited by examiner

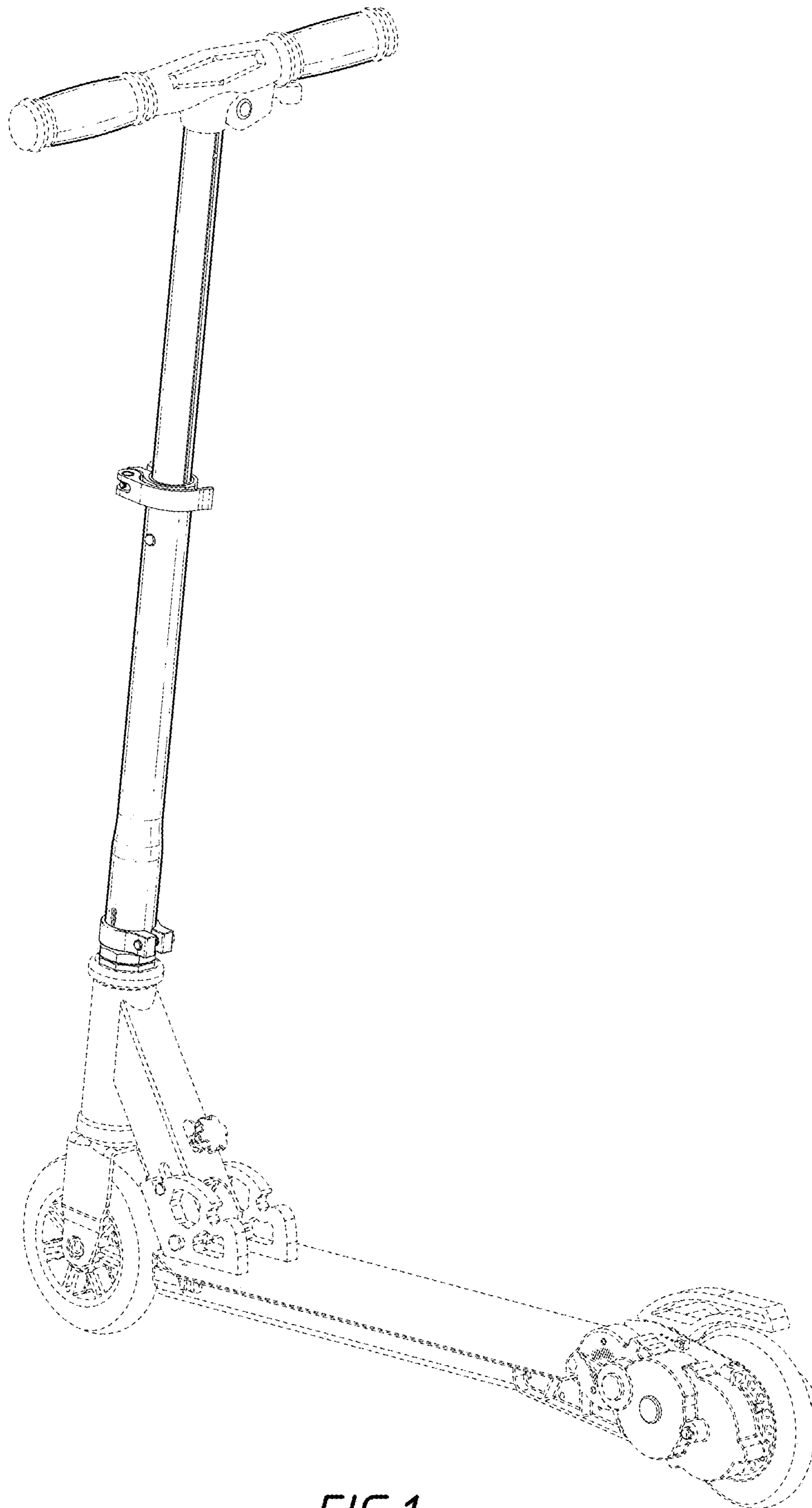


FIG. 1

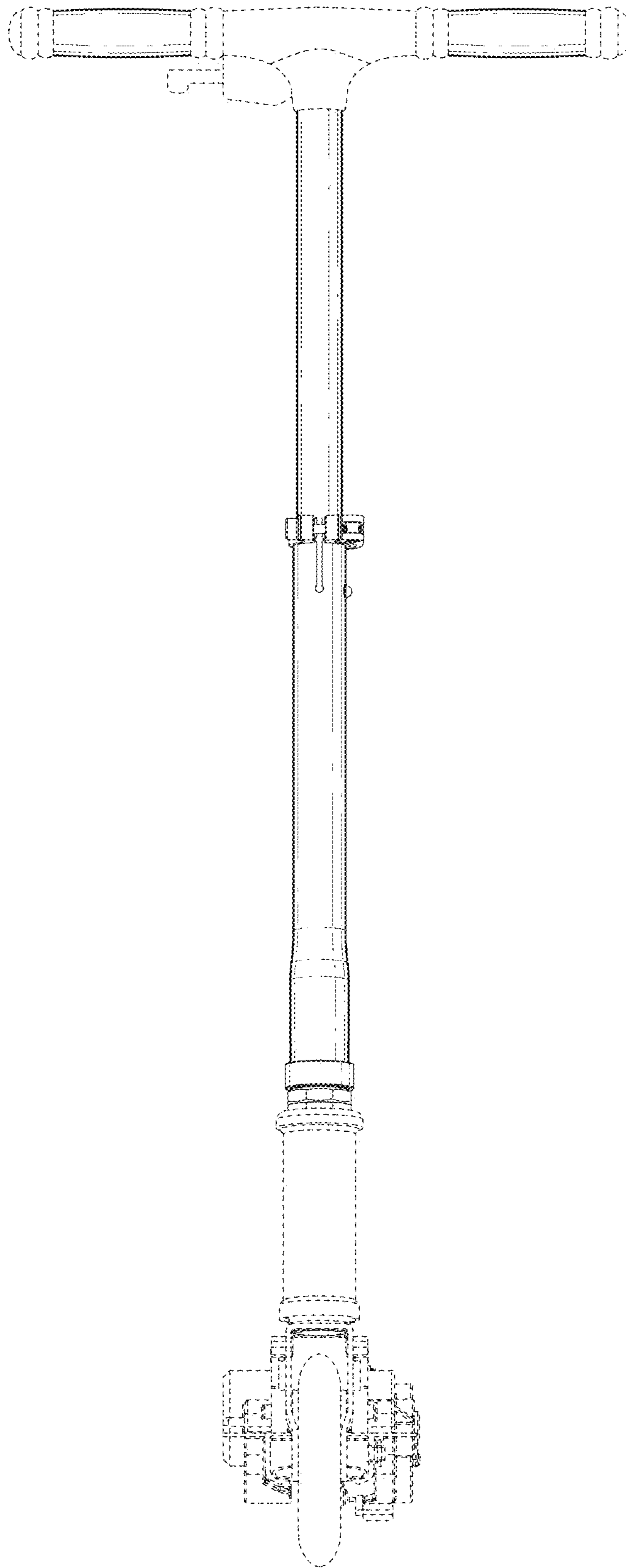


FIG. 2

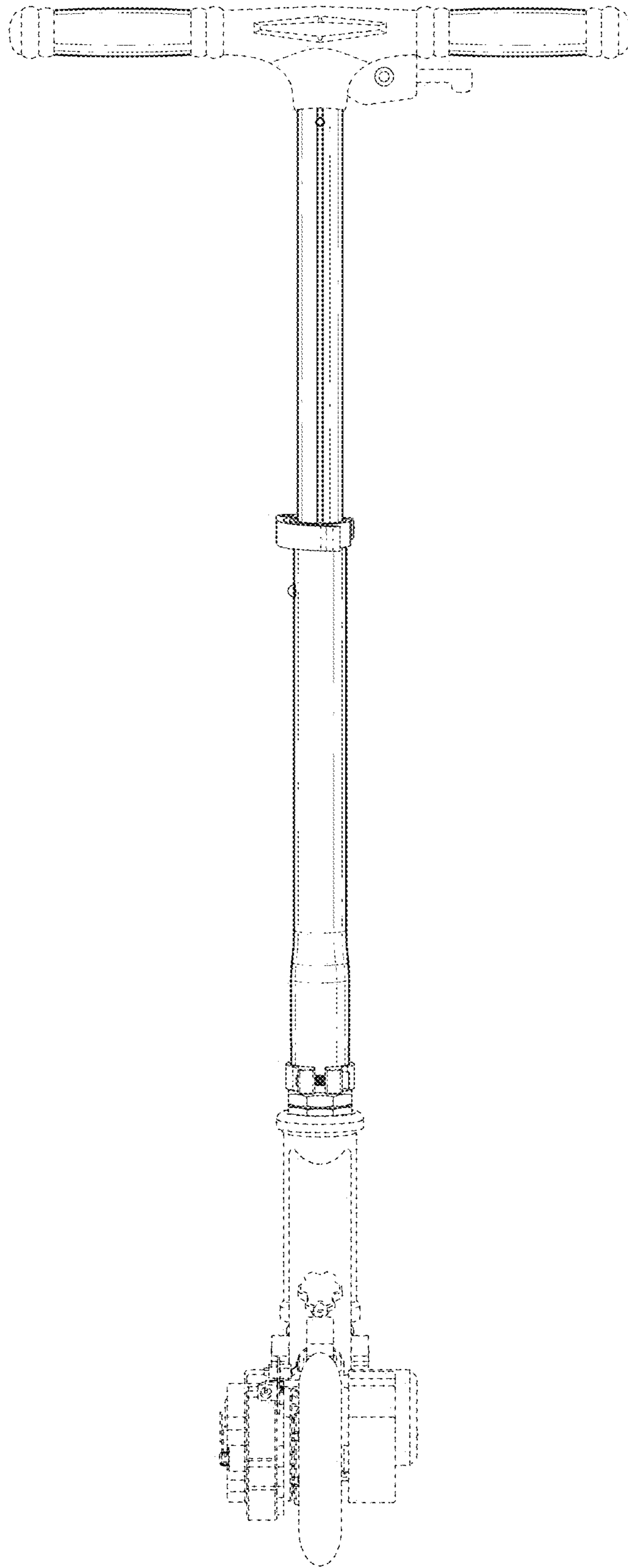


FIG. 3

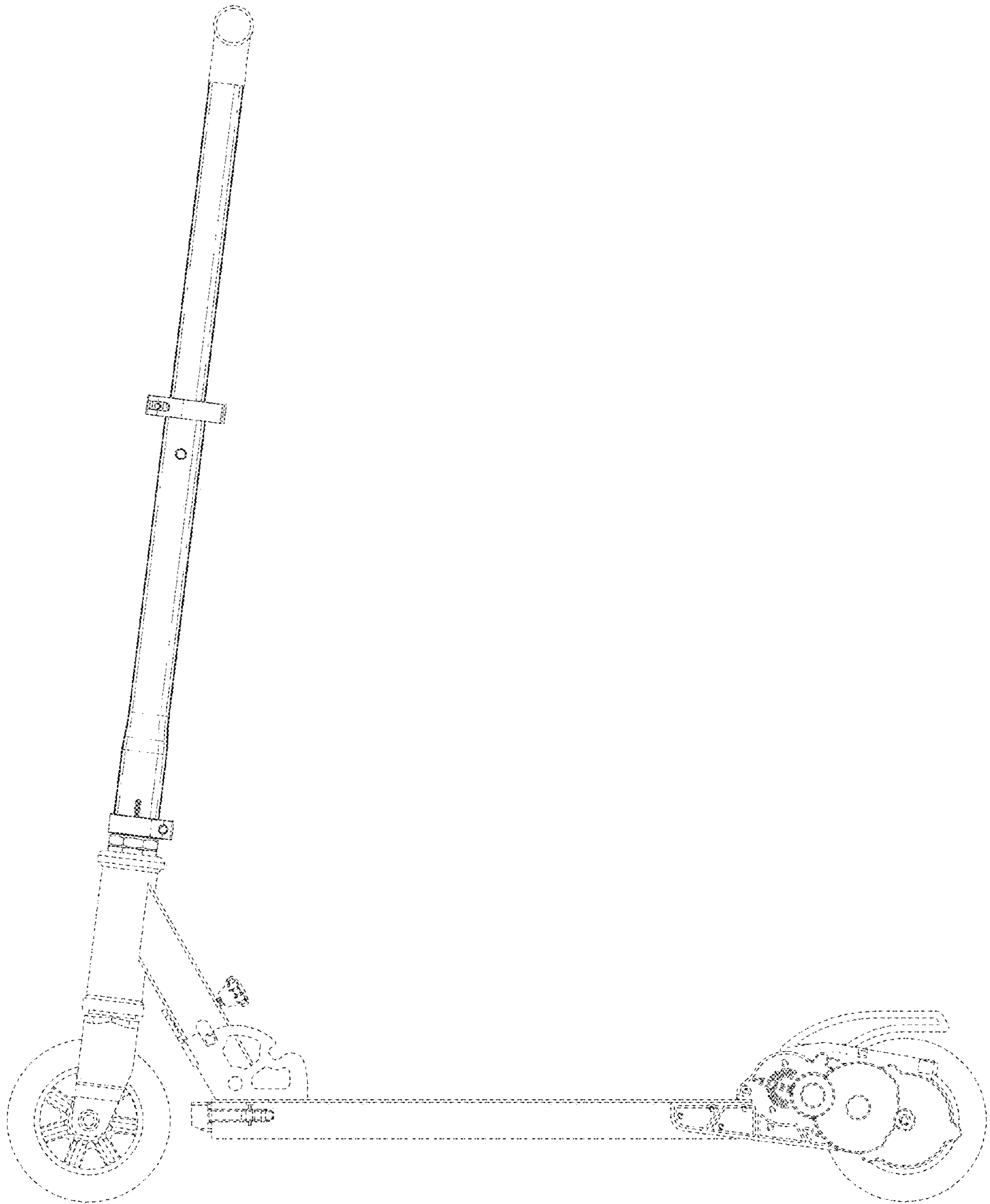


FIG. 4

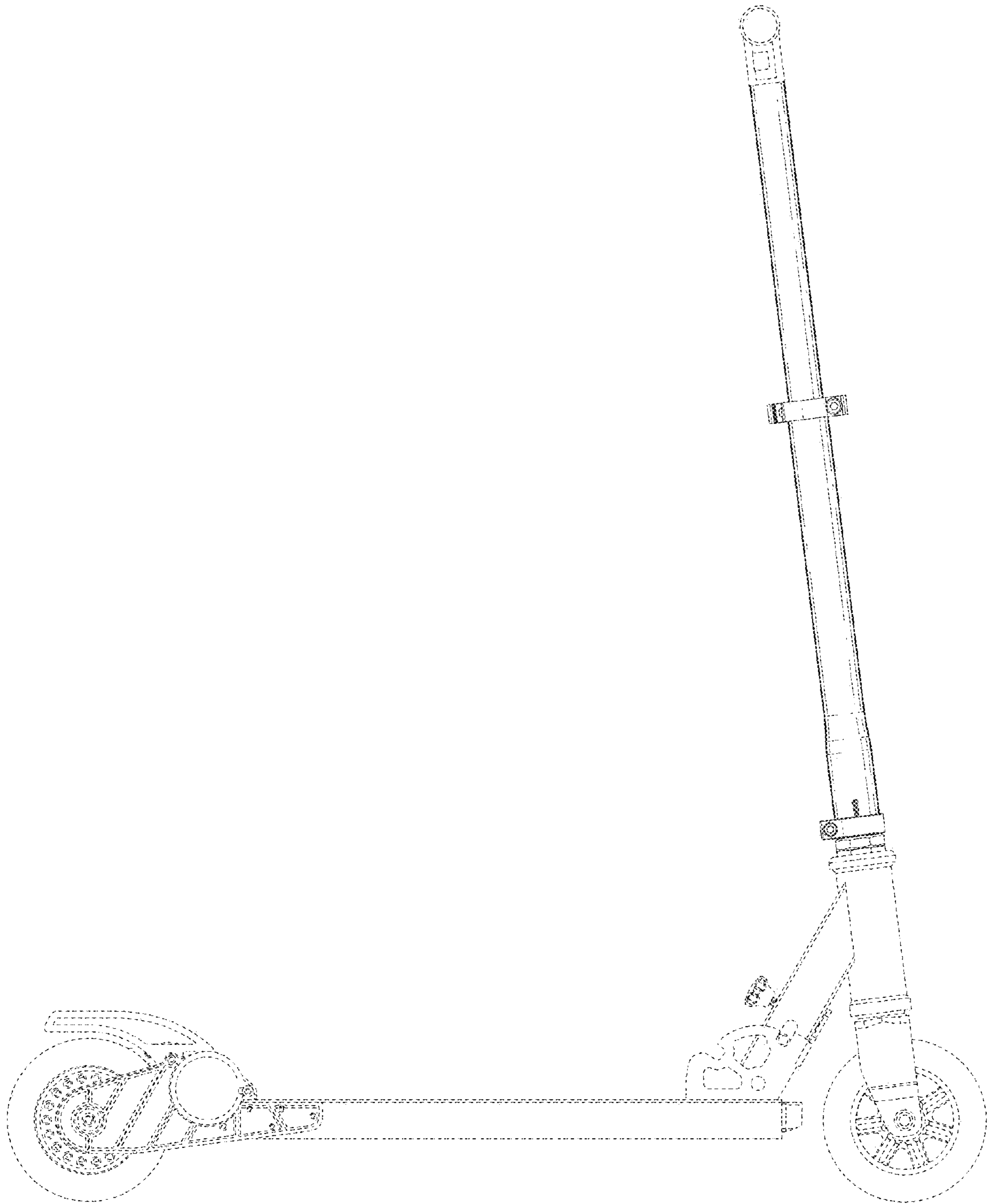


FIG. 5

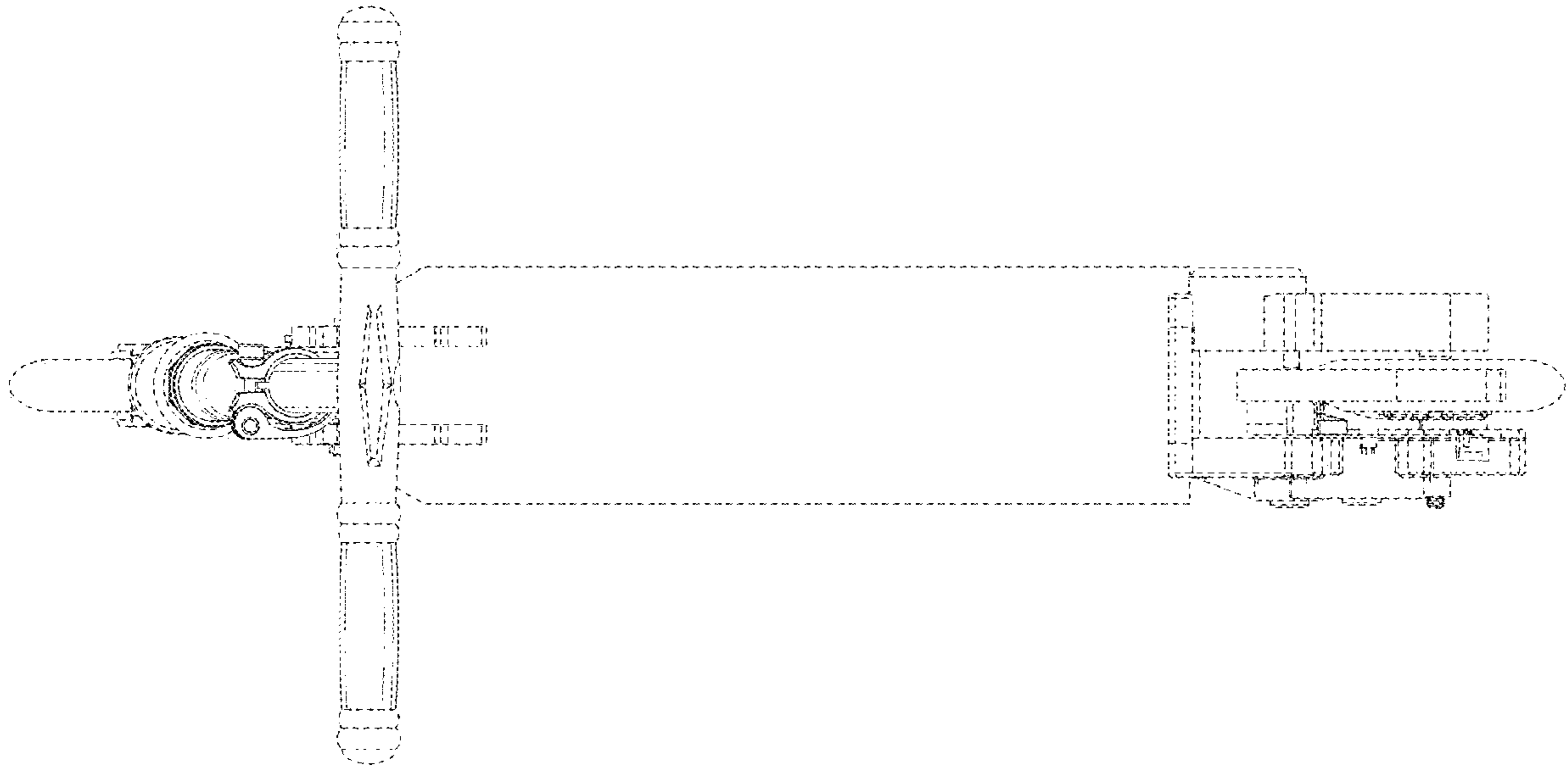


FIG. 6

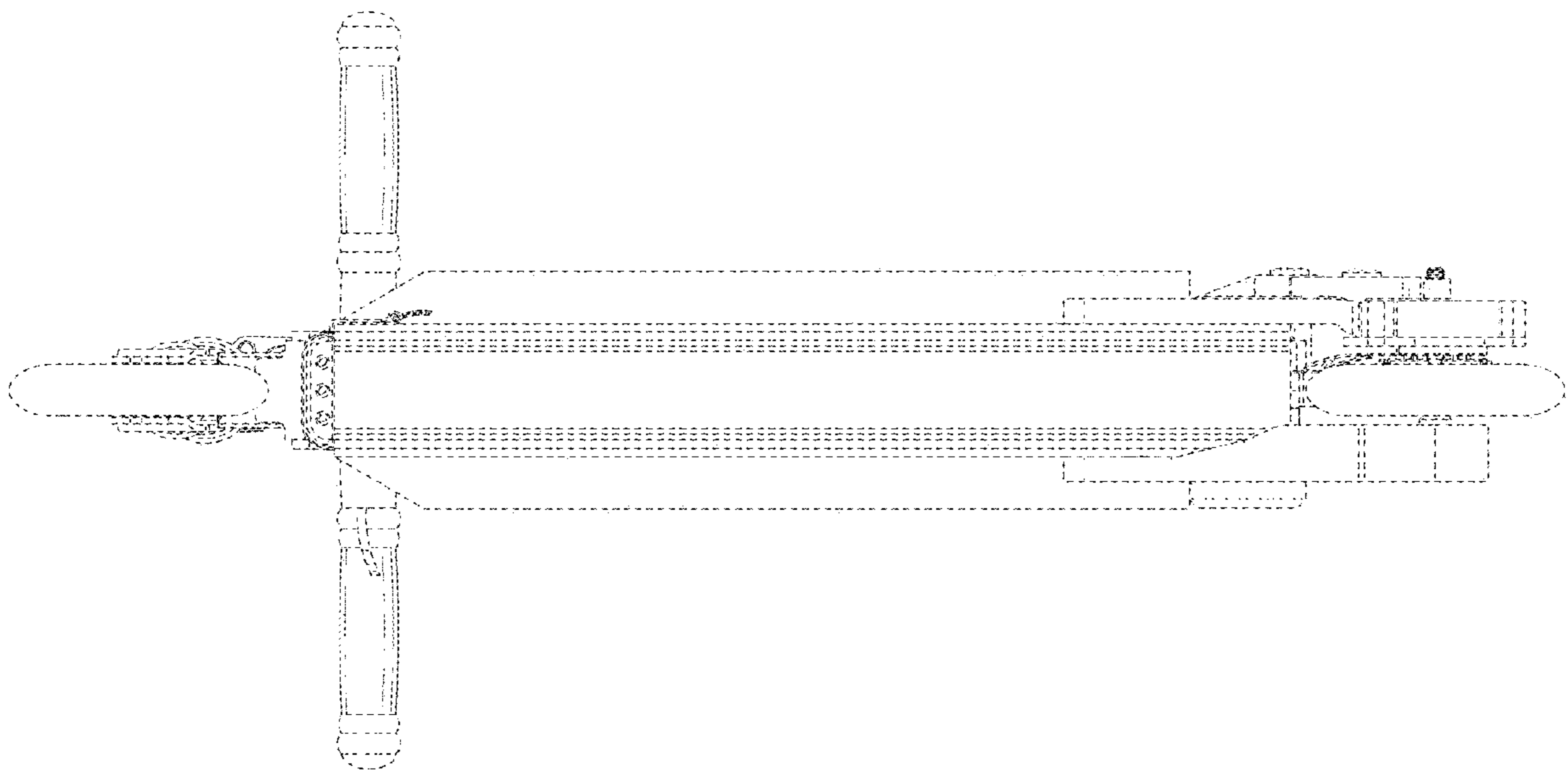


FIG. 7