



US00D911452S

(12) **United States Design Patent** (10) **Patent No.:** **US D911,452 S**
Kortbeek (45) **Date of Patent:** **** Feb. 23, 2021**

(54) **PLATE AND DIE SET** 3,400,932 A * 9/1968 Conrad A63F 9/0413
273/146
(71) Applicant: **Track Design & Media**, Gouda (NL) D260,604 S 9/1981 Otto
D281,849 S 12/1985 Cantor
(72) Inventor: **Menno Kortbeek**, Gouda (NL) 4,930,780 A * 6/1990 Goodman A63F 9/0402
273/146
(73) Assignee: **Track Design & Media**, Gouda (NL) 5,695,798 A 12/1997 Rozzano
(Continued)

(**) Term: **15 Years**

(21) Appl. No.: **29/683,331**

(22) Filed: **Mar. 12, 2019**

(30) **Foreign Application Priority Data**

Oct. 19, 2018 (EM) 005803376

(51) **LOC (13) Cl.** **21-03**

(52) **U.S. Cl.**
USPC **D21/373**

(58) **Field of Classification Search**
USPC D21/498, 468, 373, 372, 371, 361;
273/445, 274, 146, 145 C, 145 A, 144 B,
273/108; 463/48; D9/761, 760, 607;
428/13; D7/557, 556, 555
CPC A63F 9/04; A63F 3/00157; A63F 9/0413;
A63F 9/0415; A63F 9/0406; A63F
9/0402; A63F 2009/0484; A63F
2009/0437; A63F 2009/0422; A63F
2009/0431; A63F 2009/0435; A63F
2009/0446; A63F 2009/0473; A63F
2009/0486; A63F 2009/0426; A63F
2009/0471; A63F 2009/044

See application file for complete search history.

(56) **References Cited**

U.S. PATENT DOCUMENTS

1,595,356 A 8/1926 Moseman
2,700,284 A 1/1955 Lyon, Jr.
D192,374 S 3/1962 Wittke
D194,054 S * 11/1962 Grossman D7/556
3,214,848 A 11/1965 Van Eycke

FOREIGN PATENT DOCUMENTS

GB 13288 9/1909
NL 1037937 11/2011
WO WO 2011/027327 A2 3/2011

OTHER PUBLICATIONS

Search Report and Written Opinion for NL1037937, The Netherlands Patent Office, dated Nov. 23, 2010.

Primary Examiner — Ryan Harvey
(74) *Attorney, Agent, or Firm* — Sterne, Kessler,
Goldstein & Fox P.L.L.C.

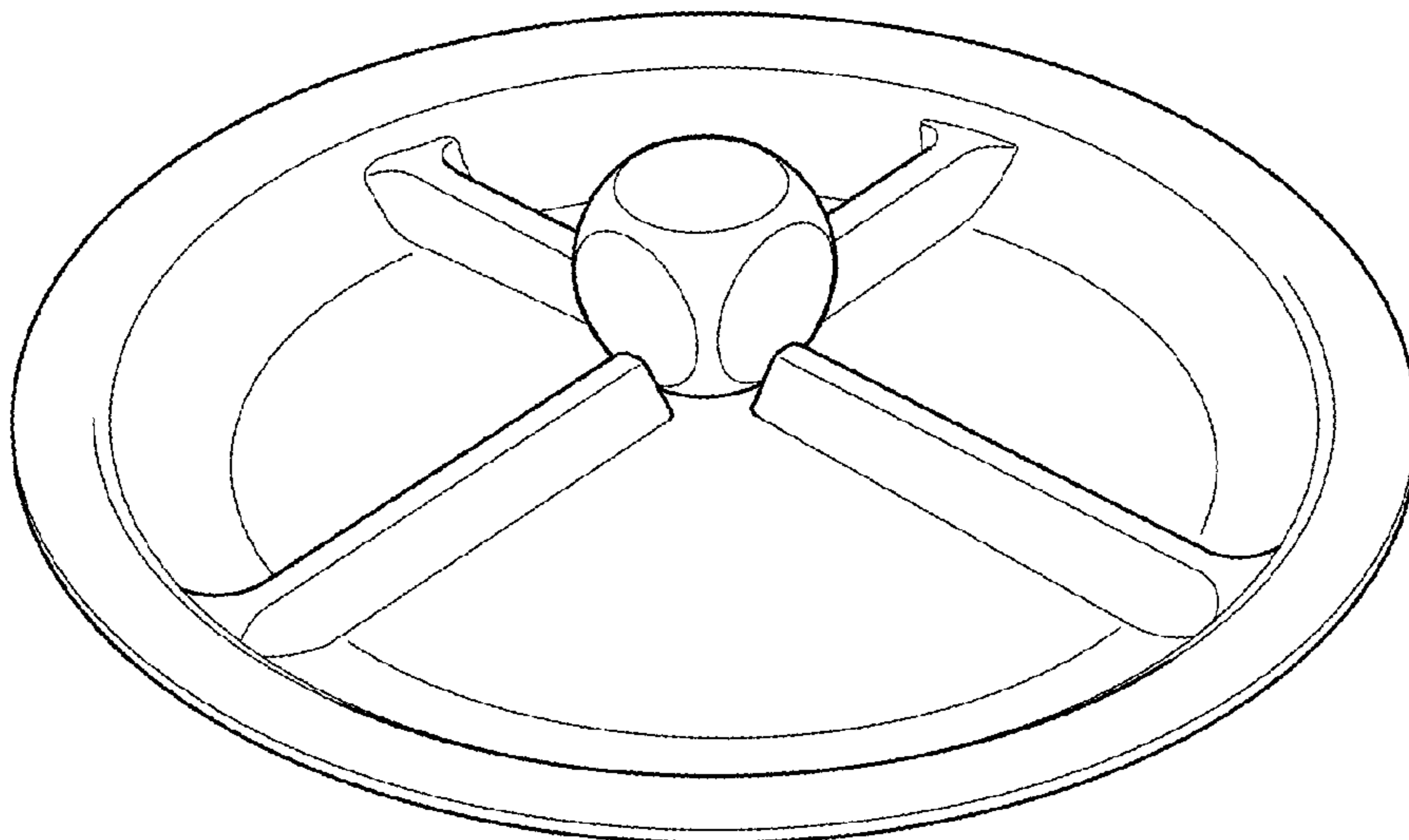
(57) **CLAIM**

The ornamental design for a plate and die set, as shown and described.

DESCRIPTION

FIG. 1 is a top perspective view of a plate and die set showing the claimed design;
FIG. 2 is a top view thereof;
FIG. 3 is a bottom view thereof;
FIG. 4 is a front view thereof;
FIG. 5 is a rear view thereof;
FIG. 6 is an exploded top perspective view thereof;
FIG. 7 is an exploded top view thereof;
FIG. 8 is an exploded bottom view thereof;
FIG. 9 is an exploded front view thereof; and,
FIG. 10 is an exploded rear view thereof.
The shade lines in the Figures show contour and not surface ornamentation.

1 Claim, 6 Drawing Sheets



(56)

References Cited

U.S. PATENT DOCUMENTS

| | | | | |
|--------------|------|---------|-------------------|-------------|
| D417,785 | S | 12/1999 | Daniels | |
| 6,352,258 | B1 | 3/2002 | Fitzgerald et al. | |
| D563,486 | S * | 3/2008 | Slater | D21/498 |
| D591,174 | S | 4/2009 | Larson | |
| D595,155 | S | 6/2009 | Larson | |
| D642,484 | S | 8/2011 | Birchmeier | |
| D665,228 | S | 8/2012 | Rosen | |
| D696,354 | S * | 12/2013 | Barry | D21/373 |
| D720,629 | S | 1/2015 | Snedden et al. | |
| 9,119,506 | B2 | 9/2015 | Shendelman | |
| D774,832 | S | 12/2016 | Kortbeek | |
| D886,906 | S * | 6/2020 | Pravednikov | D21/373 |
| 10,846,496 | B2 * | 11/2020 | Bergant | A63F 9/0468 |
| 2008/0251405 | A1 | 10/2008 | Goldenberg et al. | |
| 2009/0102123 | A1 | 4/2009 | Haas | |
| 2012/0183933 | A1 | 7/2012 | Smiler | |
| 2015/0028542 | A1 | 1/2015 | Qualey | |

* cited by examiner

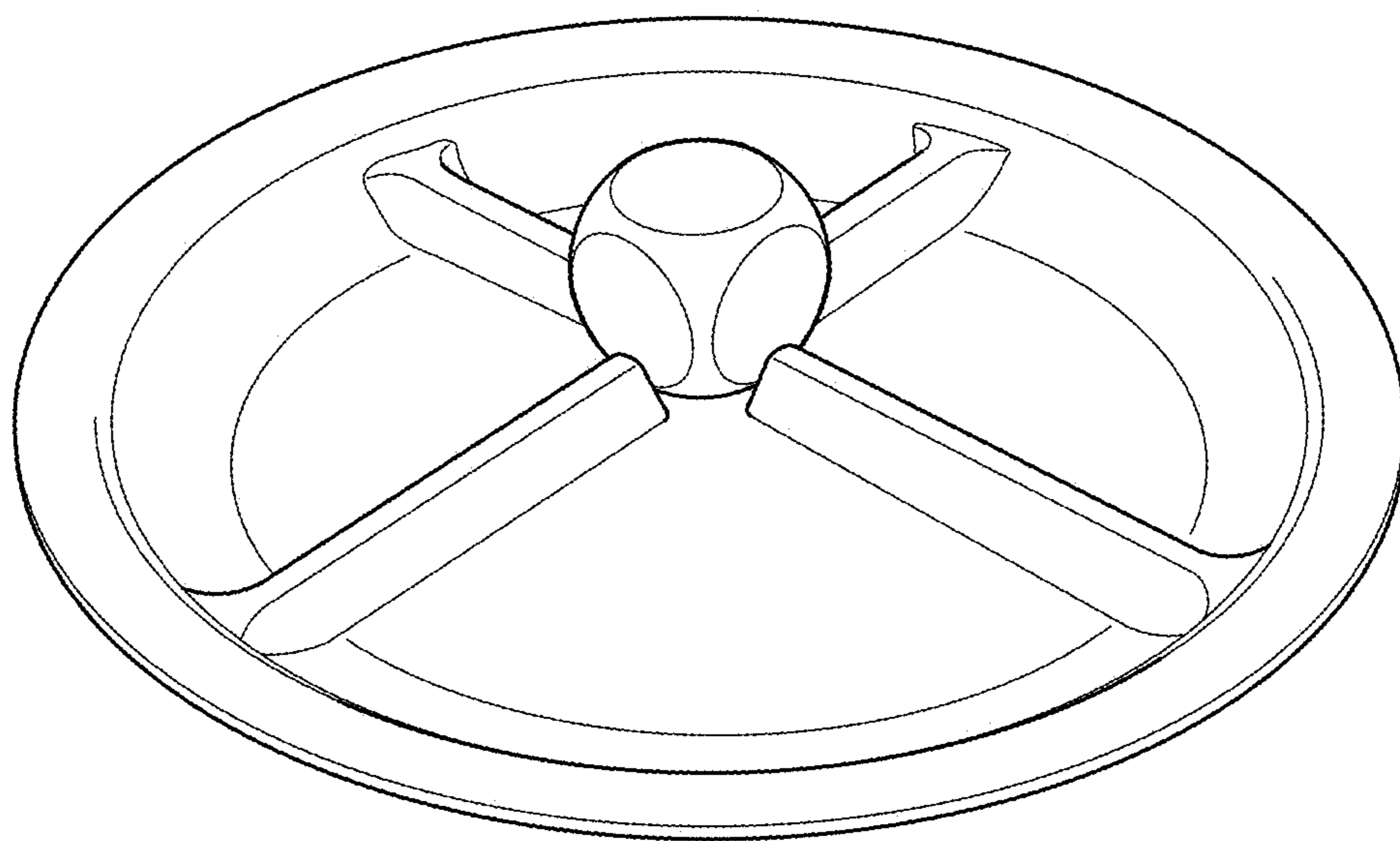


FIG. 1

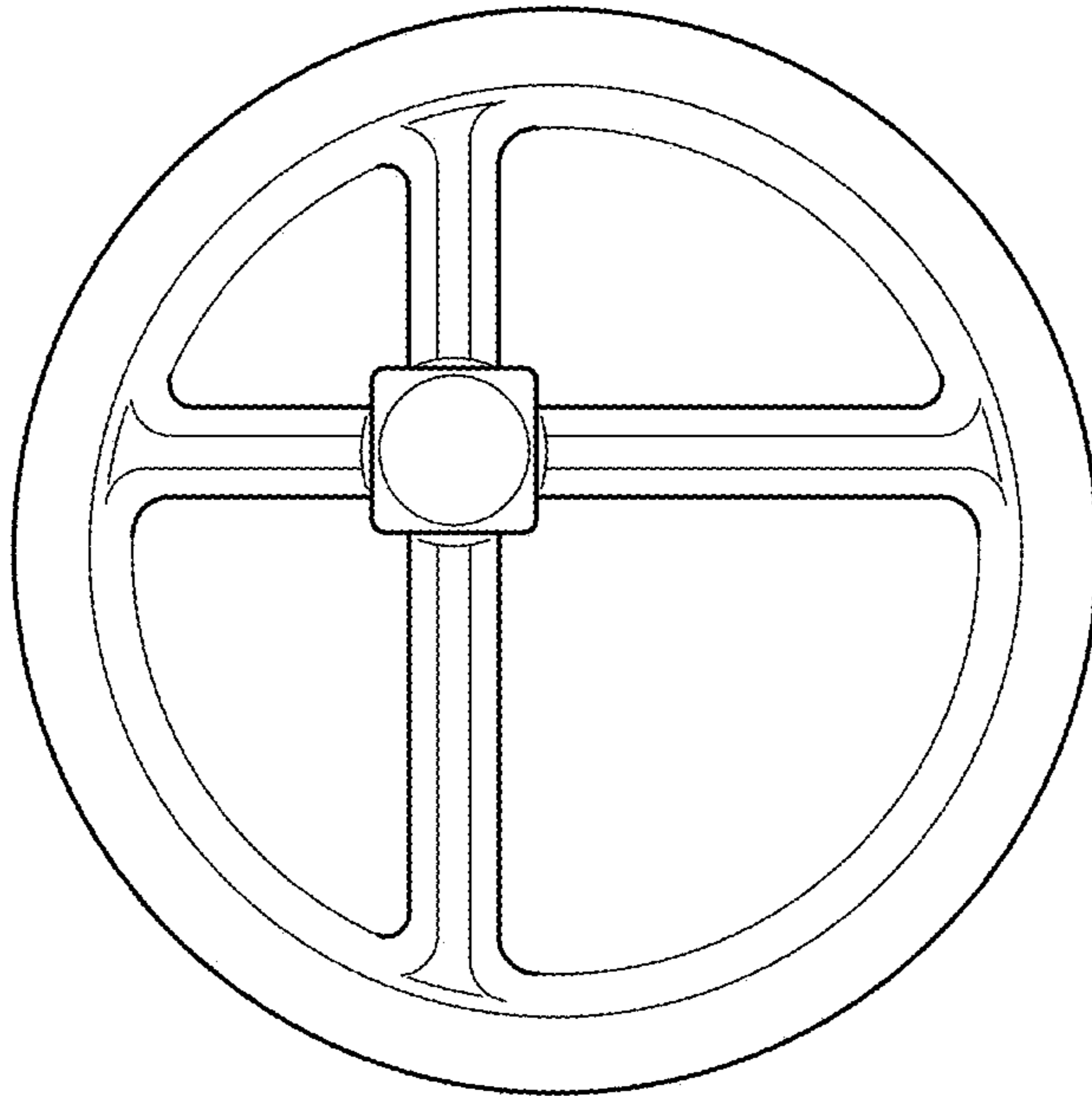


FIG. 2

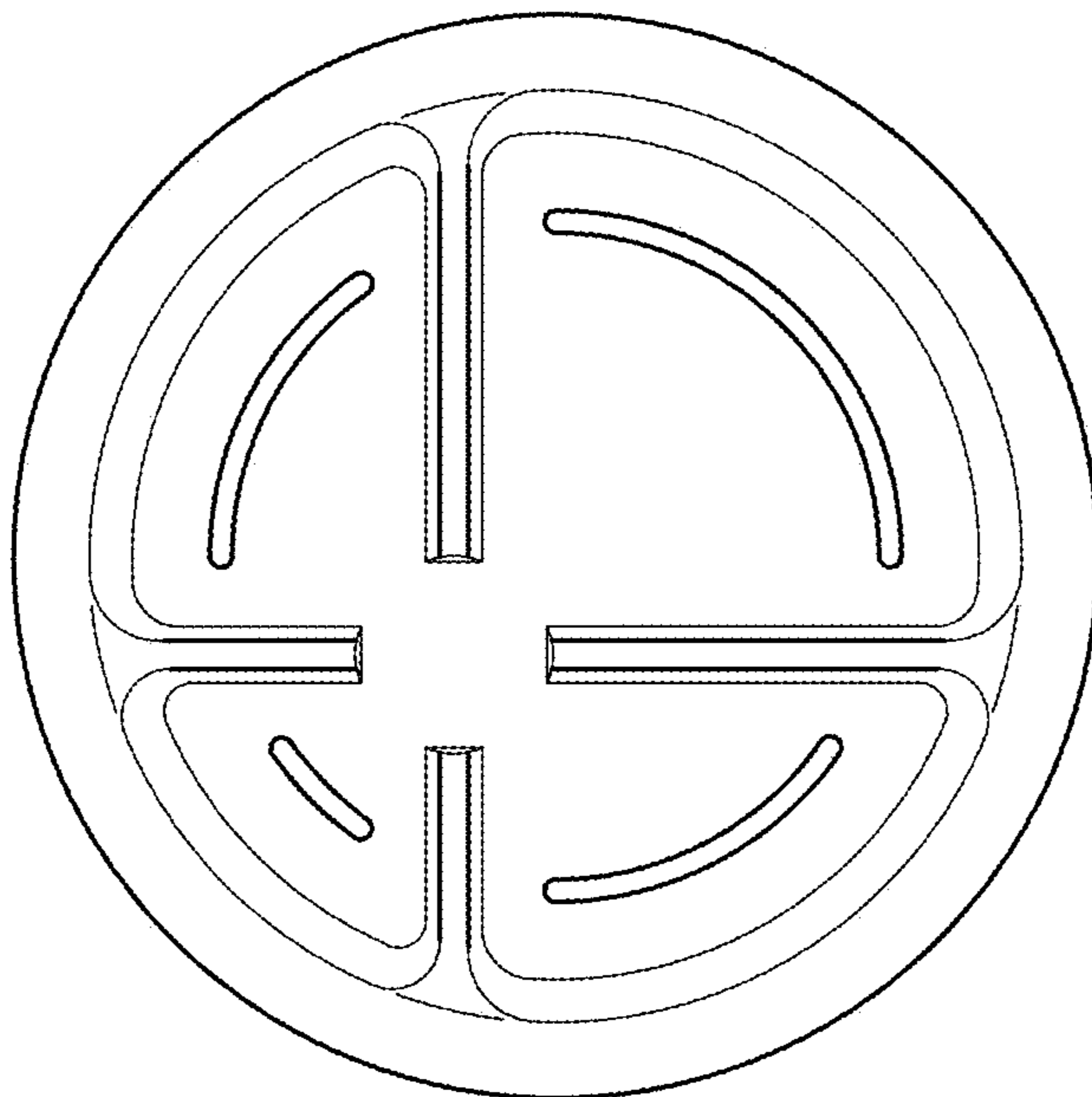


FIG. 3

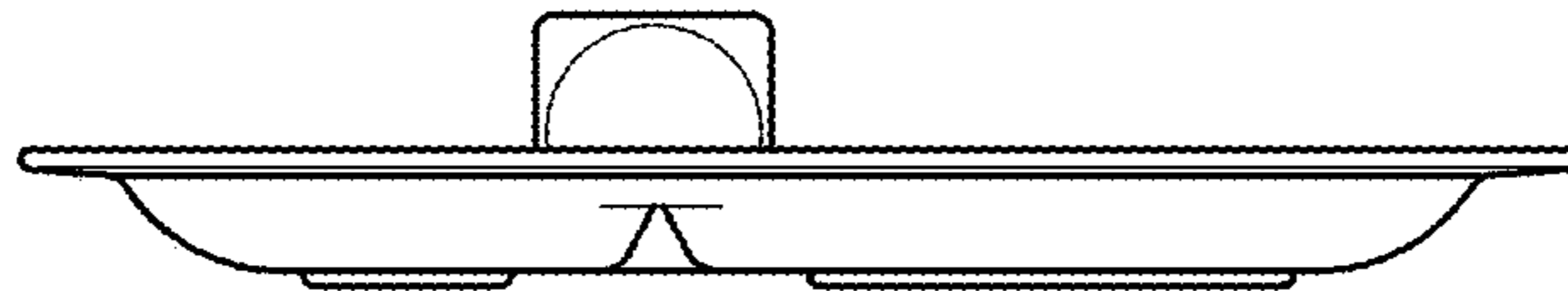


FIG. 4

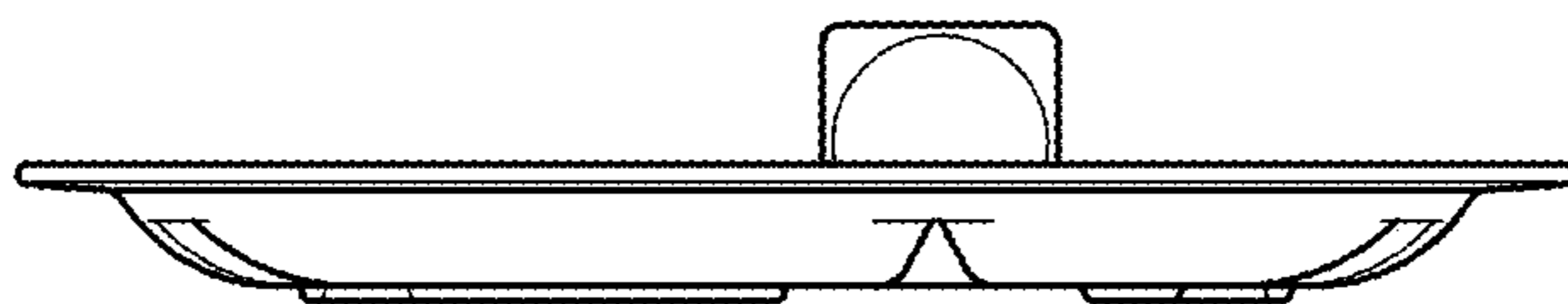


FIG. 5

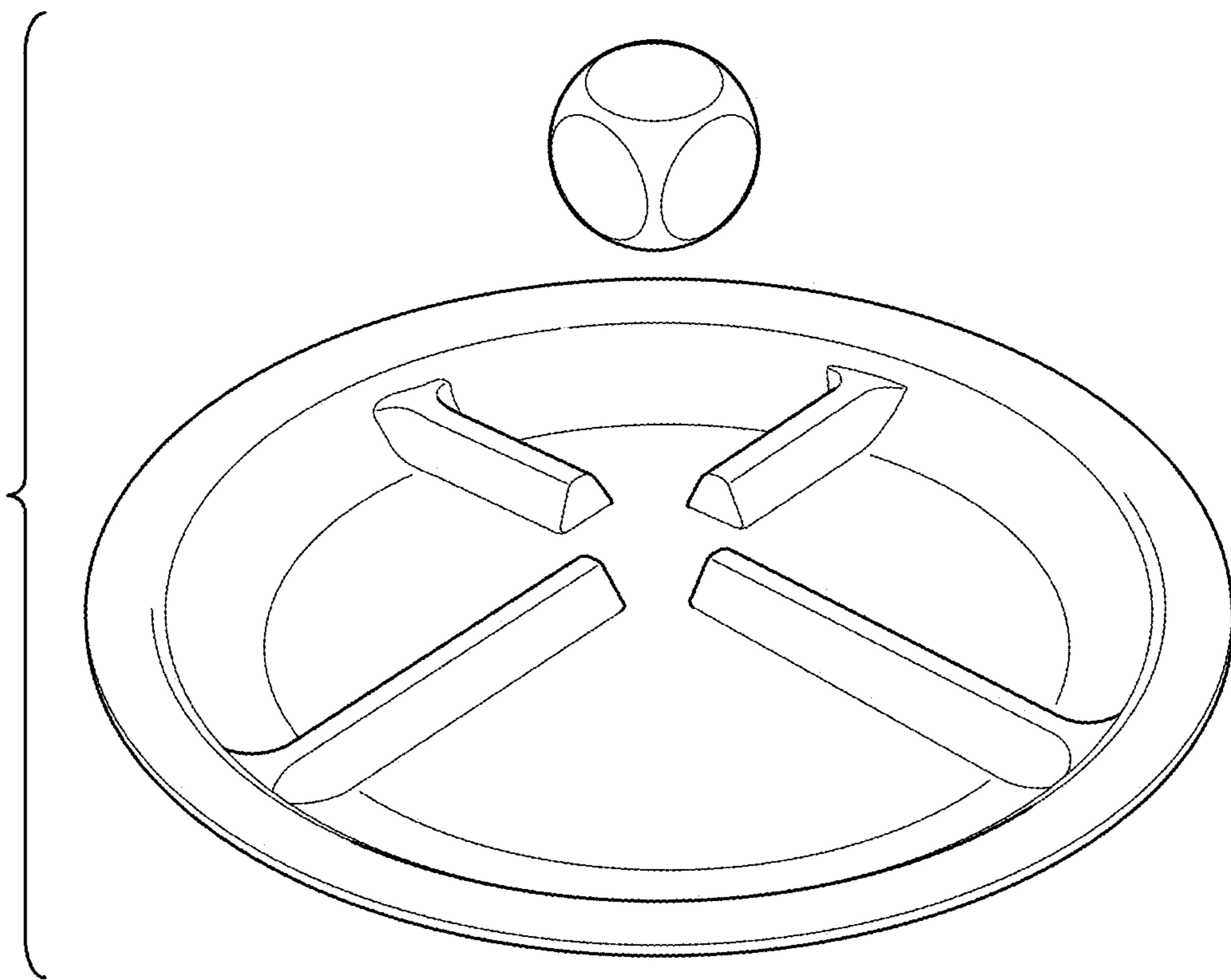


FIG. 6

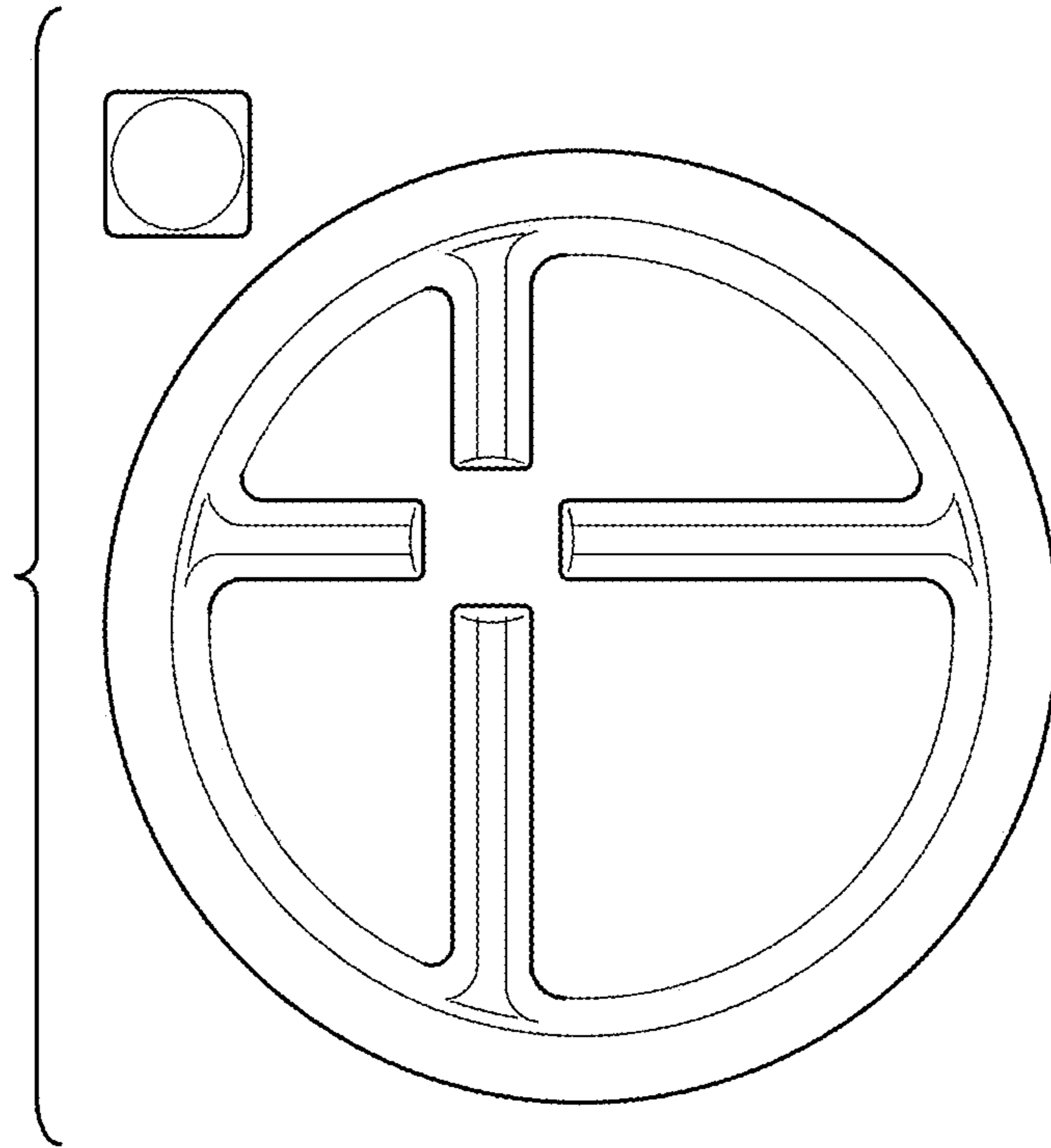


FIG. 7

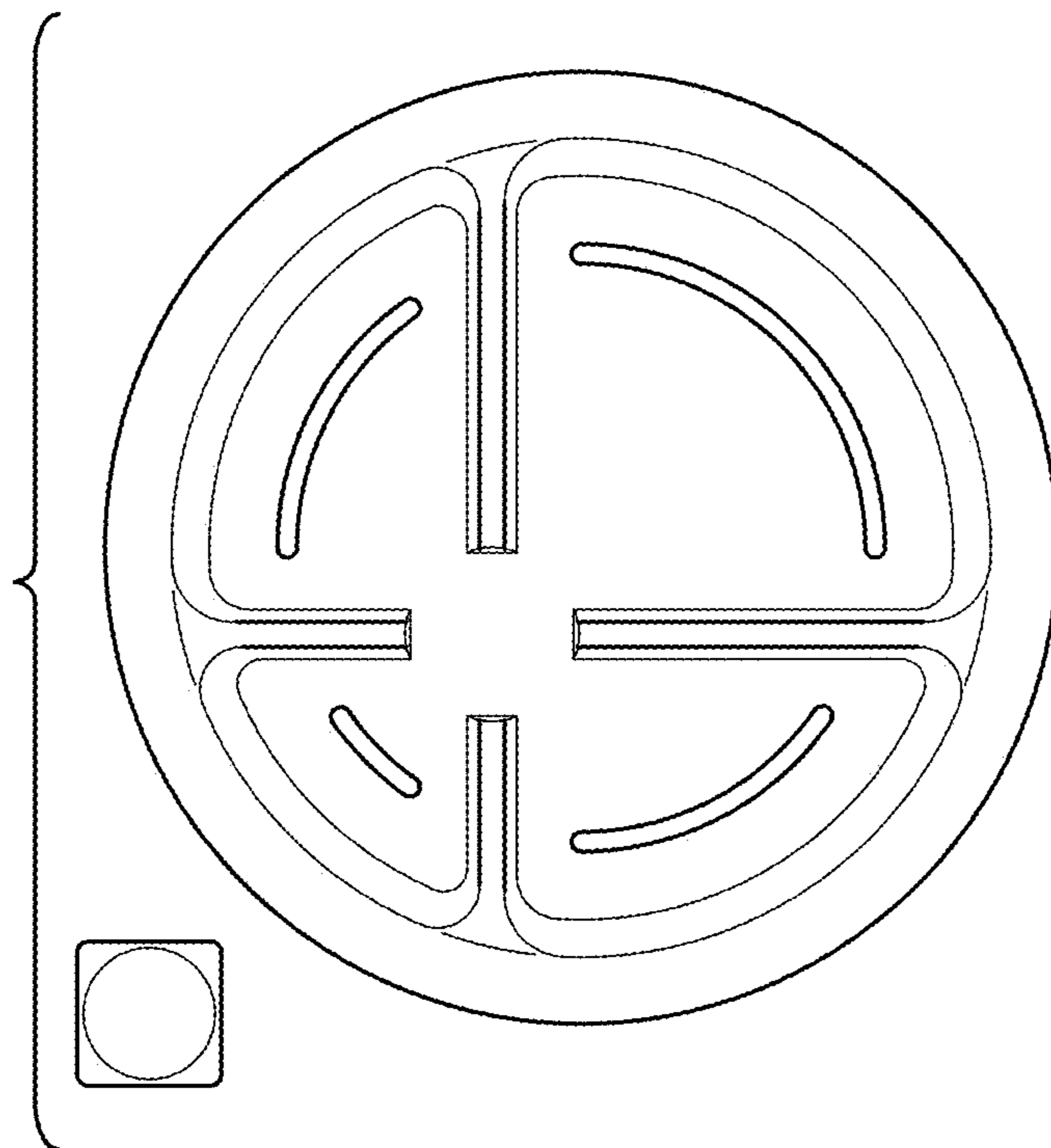


FIG. 8

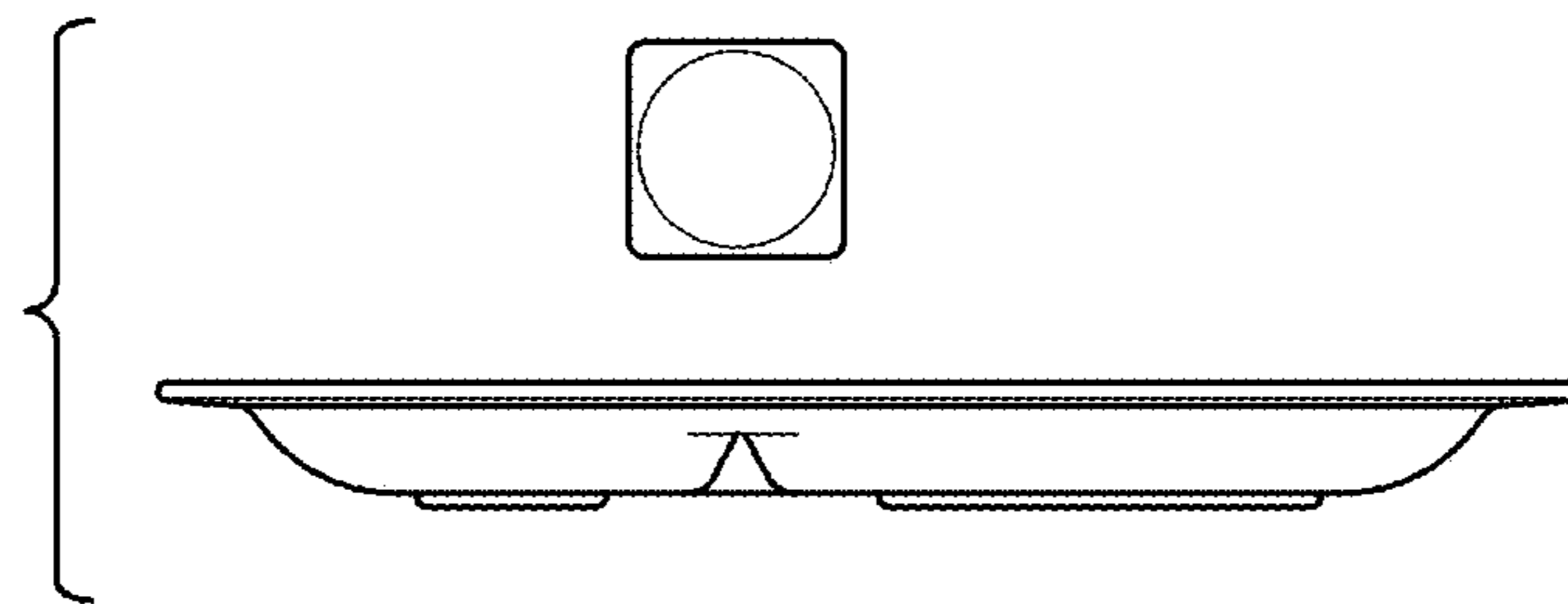


FIG. 9

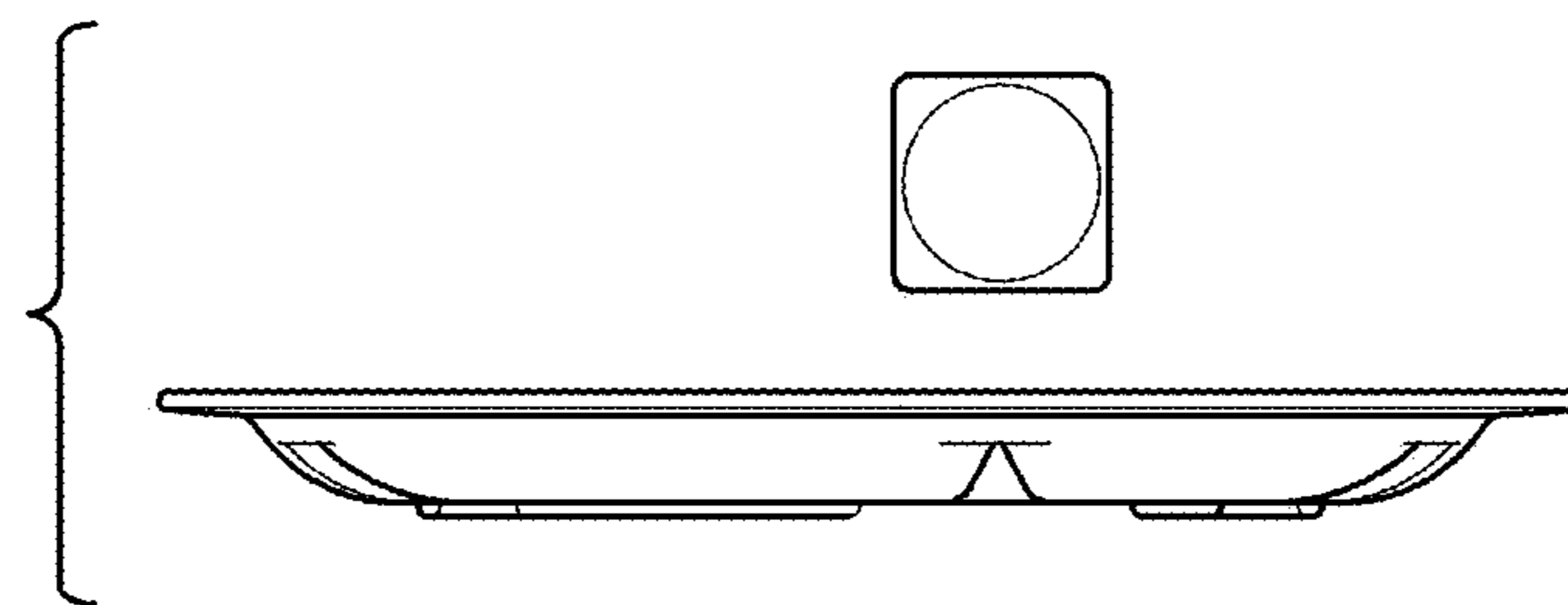


FIG. 10