



US00D911451S

(12) **United States Design Patent**
Ortiz De Viveiros et al.

(10) **Patent No.:** **US D911,451 S**
(45) **Date of Patent:** **** Feb. 23, 2021**

(54) **GAMING MACHINE**
(71) Applicant: **ZITRO IP S.À.R.L.**, Luxembourg (LU)
(72) Inventors: **Johnny Ortiz De Viveiros**, London (GB); **Fidel Raúl García Álvarez**, Madrid (ES)
(73) Assignee: **ZITRO IP S.À.R.L.**, Luxembourg (LU)
(**) Term: **15 Years**
(21) Appl. No.: **29/686,265**
(22) Filed: **Apr. 3, 2019**

(30) **Foreign Application Priority Data**
Oct. 5, 2018 (EM) 005754082
(51) **LOC (13) Cl.** **21-03**
(52) **U.S. Cl.**
USPC **D21/369**
(58) **Field of Classification Search**
USPC D21/369, 370, 371, 385, 329, 325, 394;
D14/307, 172, 129, 325, 401, 371, 126,
D14/439, 432, 450, 128, 375, 248, 374,
D14/341, 138 G, 127; 463/28, 13, 11,
463/16, 20, 25, 31, 46, 23, 30, 17, 36, 29,
463/42, 34, 32, 35, 19, 21, 22; 273/292,
273/203, 138.2, 143 R, 142 R, 138.1;
D8/335, 331, 334
CPC G07F 17/32; G07F 17/34; G07F 17/3211;
G07F 17/3244; G07F 17/3267
See application file for complete search history.

(56) **References Cited**
U.S. PATENT DOCUMENTS
D376,825 S * 12/1996 Hanscom D21/324
D383,171 S * 9/1997 Hanscom D21/327
5,755,619 A * 5/1998 Matsumoto A63F 3/062
273/269

D397,161 S * 8/1998 Hanscom D21/369
5,879,235 A * 3/1999 Kaneko A63F 5/0005
273/142 R
D539,854 S * 4/2007 Luciano D21/369
D603,909 S * 11/2009 De Viveiros Ortiz D21/325
D604,773 S * 11/2009 De Viveiros Ortiz D21/325
D604,774 S * 11/2009 De Viveiros Ortiz D21/325
D612,432 S * 3/2010 De Viveiros Ortiz D21/325
D622,323 S * 8/2010 De Viveiros Ortiz D21/325
D714,392 S * 9/2014 Arabian D21/369
D729,321 S * 5/2015 Arabian D21/369
D732,520 S * 6/2015 Themann D14/307
9,566,500 B2 * 2/2017 Chun G07F 17/3209
D812,146 S * 3/2018 Castro D21/369
D812,147 S * 3/2018 Castro D21/369
D812,148 S * 3/2018 Castro D21/369
D812,149 S * 3/2018 Castro D21/369
D819,747 S * 6/2018 Castro D21/369
D822,117 S * 7/2018 Costa D21/325
10,181,236 B2 * 1/2019 Goldstein G07F 17/3216
D842,932 S * 3/2019 Stair D21/369
D843,458 S * 3/2019 Castro D21/369

(Continued)

Primary Examiner — Ryan Harvey
(74) *Attorney, Agent, or Firm* — Davis & Bujold PLLC;
Michael J. Bujold

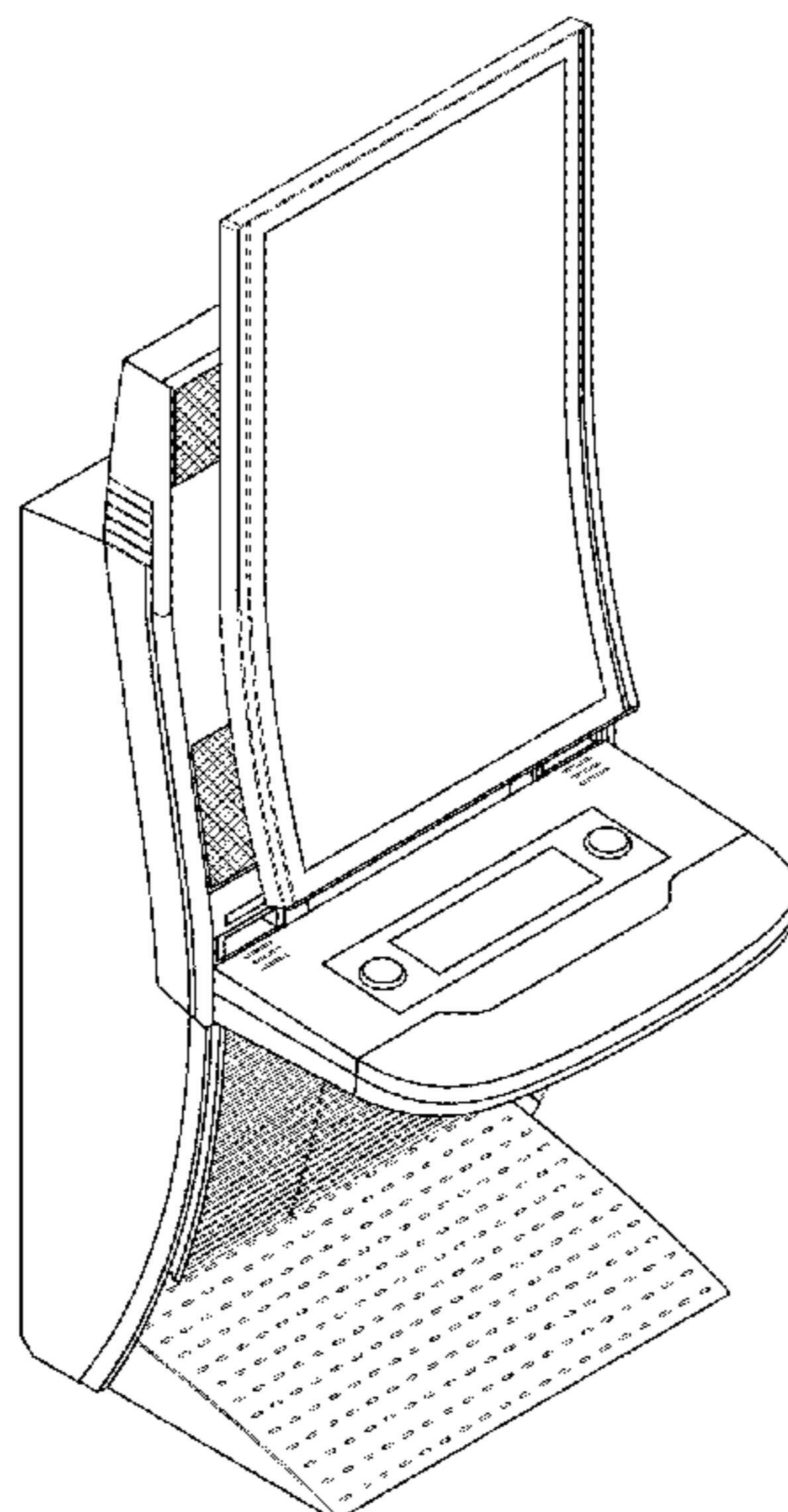
(57) **CLAIM**

We claim the ornamental design for a gaming machine, as shown and described.

DESCRIPTION

FIG. 1 is a top, left, front perspective view of an gaming machine embodying our new design;
FIG. 2 is a top, left, rear perspective view thereof;
FIG. 3 is a right side view thereof;
FIG. 4 is a left side view thereof;
FIG. 5 is a front view thereof;
FIG. 6 is a rear view thereof; and,
FIG. 7 is a top plan view thereof.

1 Claim, 7 Drawing Sheets



(56)

References Cited

U.S. PATENT DOCUMENTS

D843,467	S *	3/2019	Johnson	D21/369
D843,473	S *	3/2019	Zedell, Jr.	D21/369
D843,477	S *	3/2019	Lesley	D21/369
D843,478	S *	3/2019	Lesley	D21/369
D843,479	S *	3/2019	Castro	D21/369
D843,480	S *	3/2019	Castro	D21/369
D843,482	S *	3/2019	Holland	D21/396
D846,650	S *	4/2019	Stair	D21/369
D847,905	S *	5/2019	Lewis	D21/369
D849,149	S *	5/2019	Bussey	D21/369
D850,537	S *	6/2019	Urban	D21/370
D865,066	S *	10/2019	Ortiz De Viveiros	D21/369
D868,165	S *	11/2019	Ortiz De Viveiros	D21/369
D870,820	S *	12/2019	Urban	D21/369
D871,507	S *	12/2019	Urban	D21/369
D881,285	S *	4/2020	Glenn	D21/369
2005/0164762	A1 *	7/2005	Smith	G07F 17/32
				463/16
2008/0026828	A1 *	1/2008	Kosaka	G07F 17/3211
				463/25
2011/0263312	A1 *	10/2011	De Waal	G07F 17/34
				463/20
2011/0287824	A1 *	11/2011	Schultz	G07F 17/34
				463/20
2012/0115563	A1 *	5/2012	Kido	G07F 17/3262
				463/17
2018/0075689	A1 *	3/2018	Castro	G07F 17/322
2018/0082523	A1 *	3/2018	Palermo	G07F 17/3216
2019/0102983	A1 *	4/2019	Gallagher	G07F 17/3216
2020/0074791	A1 *	3/2020	Uberuaga	G07F 17/34

* cited by examiner

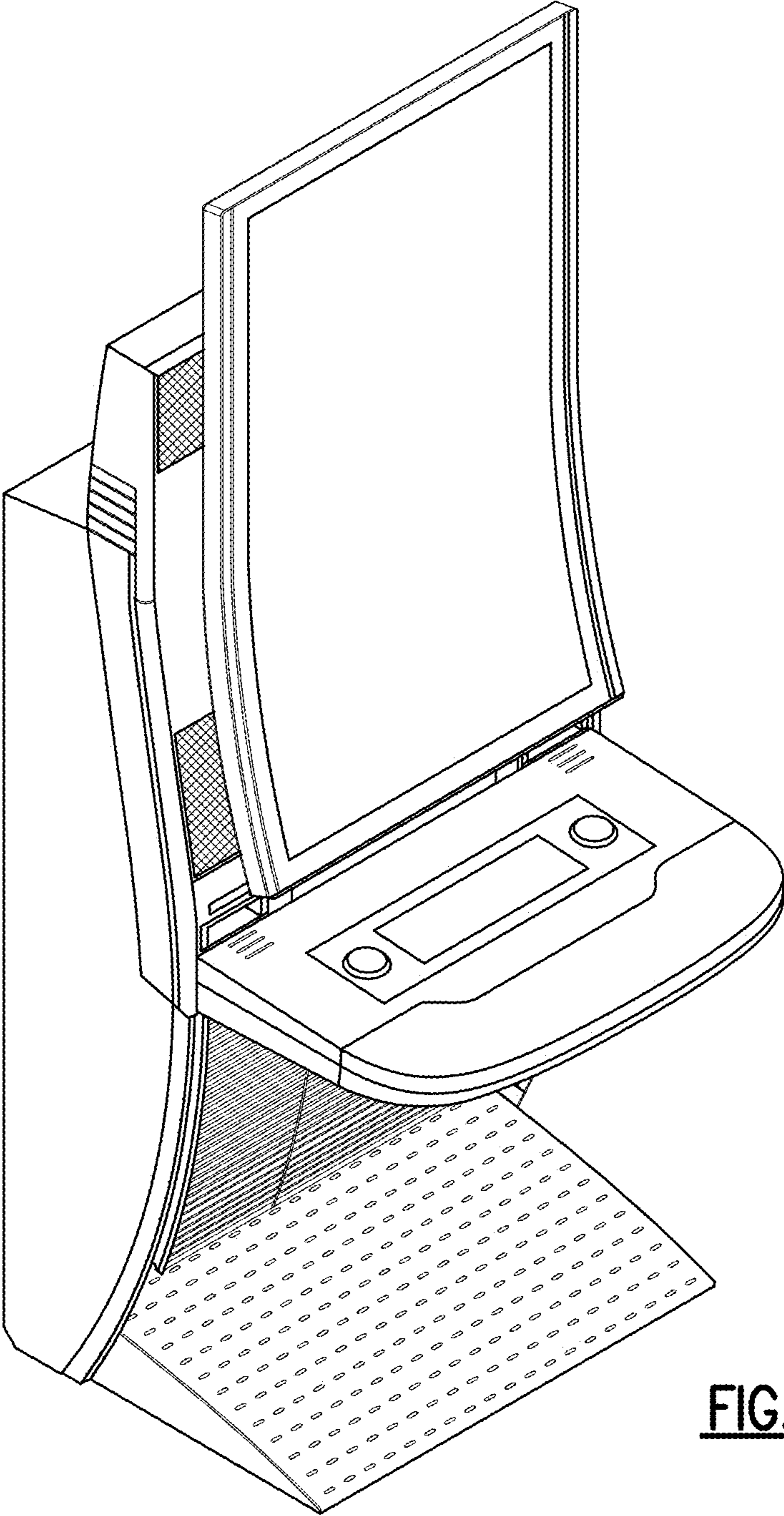


FIG. 1

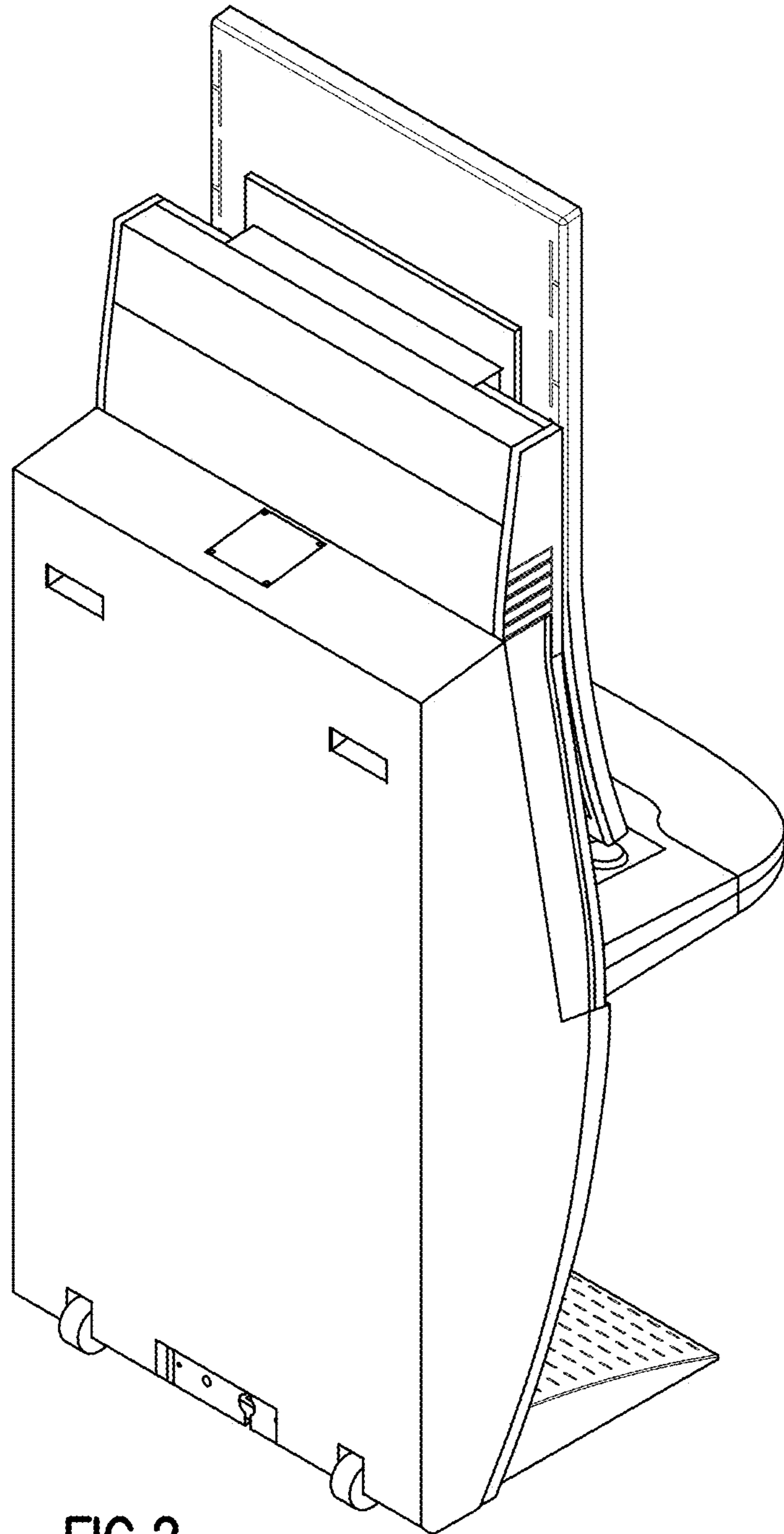


FIG.2

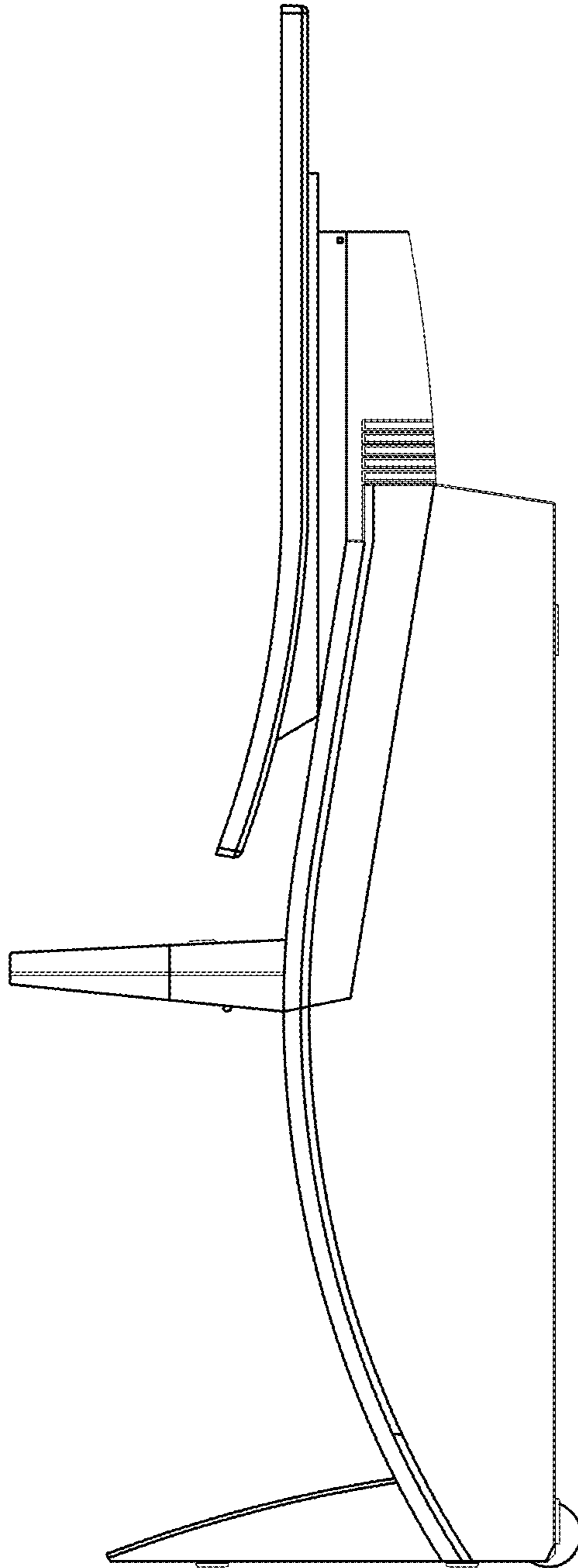


FIG. 3

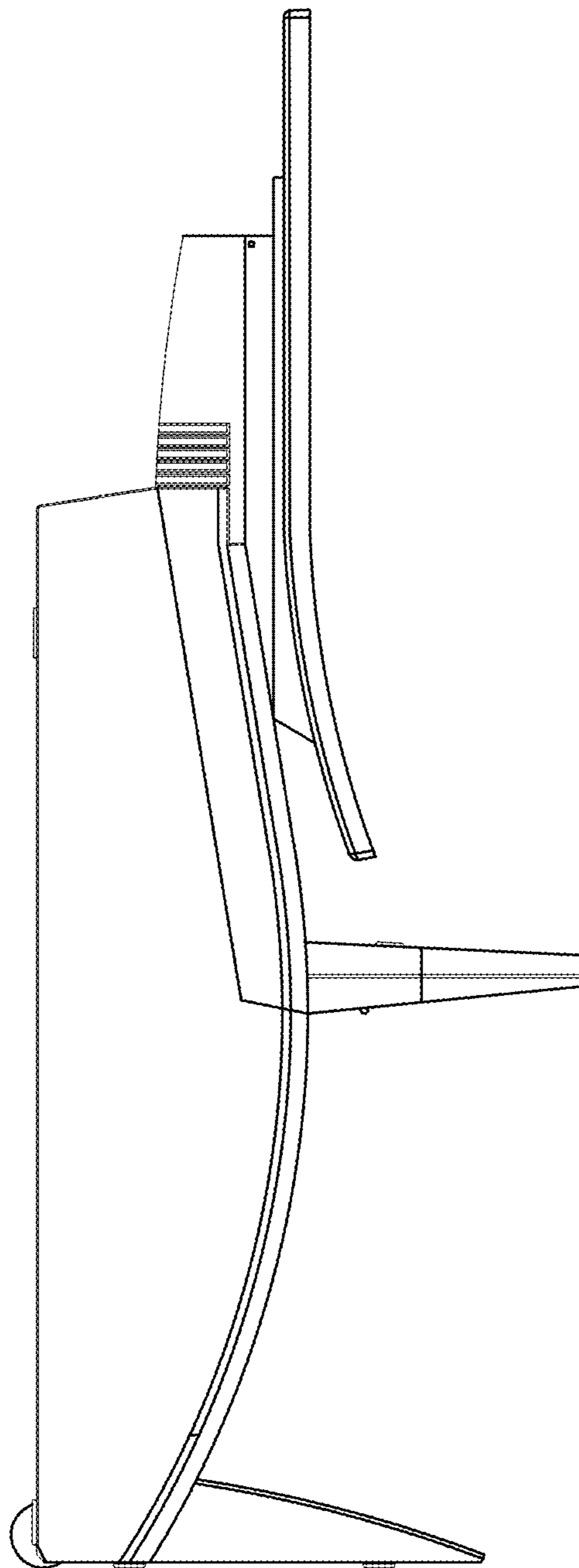


FIG. 4

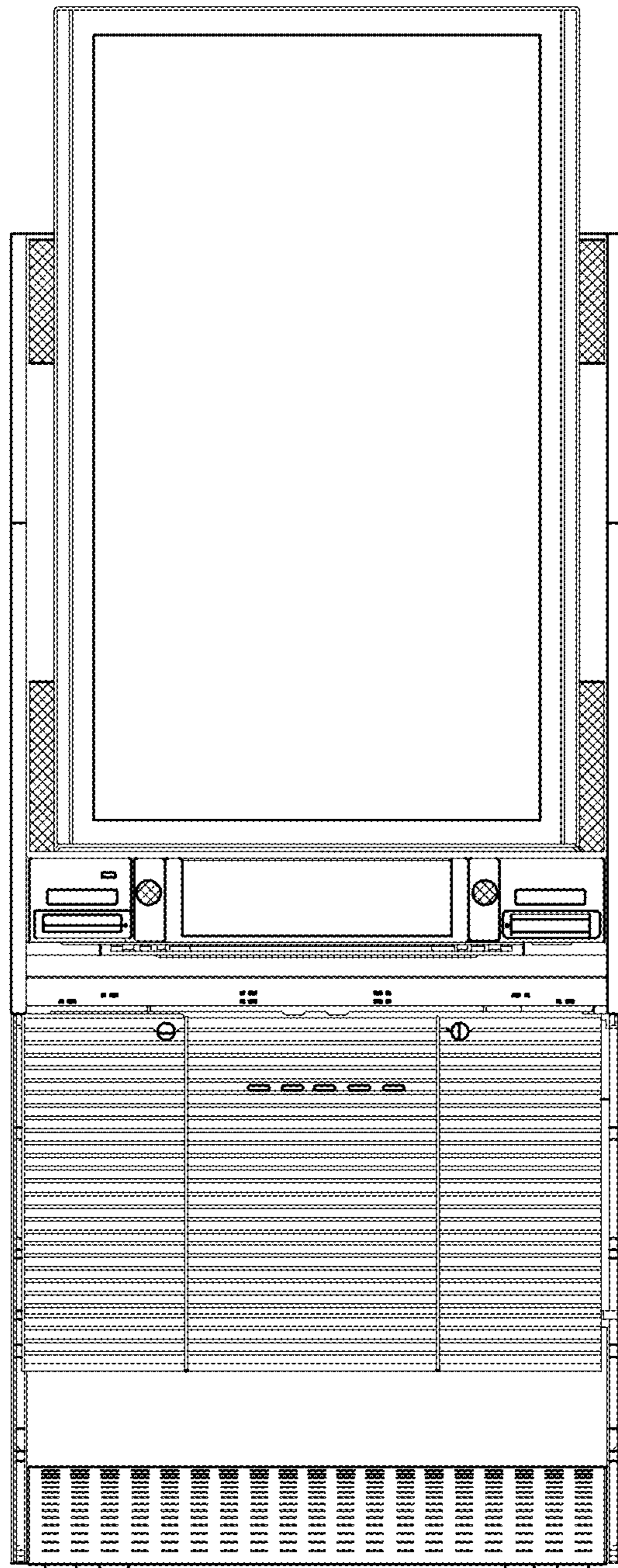


FIG.5

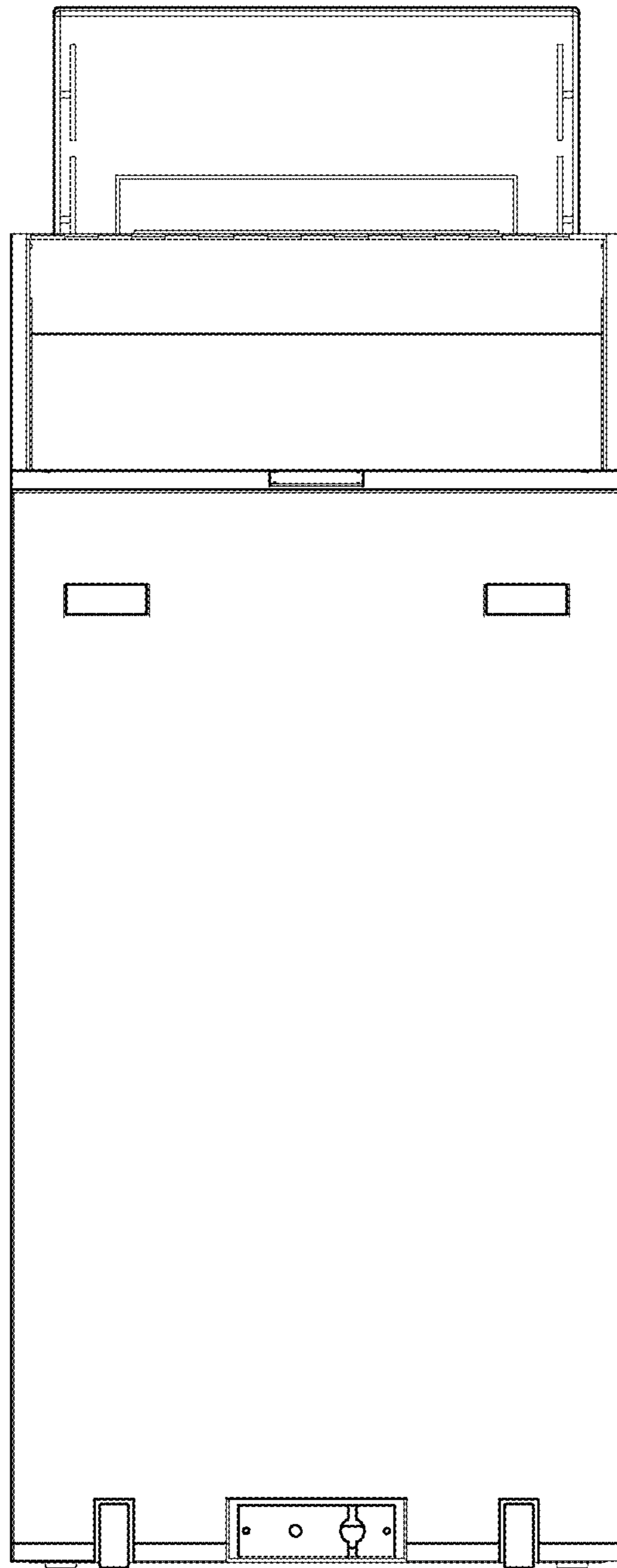


FIG.6

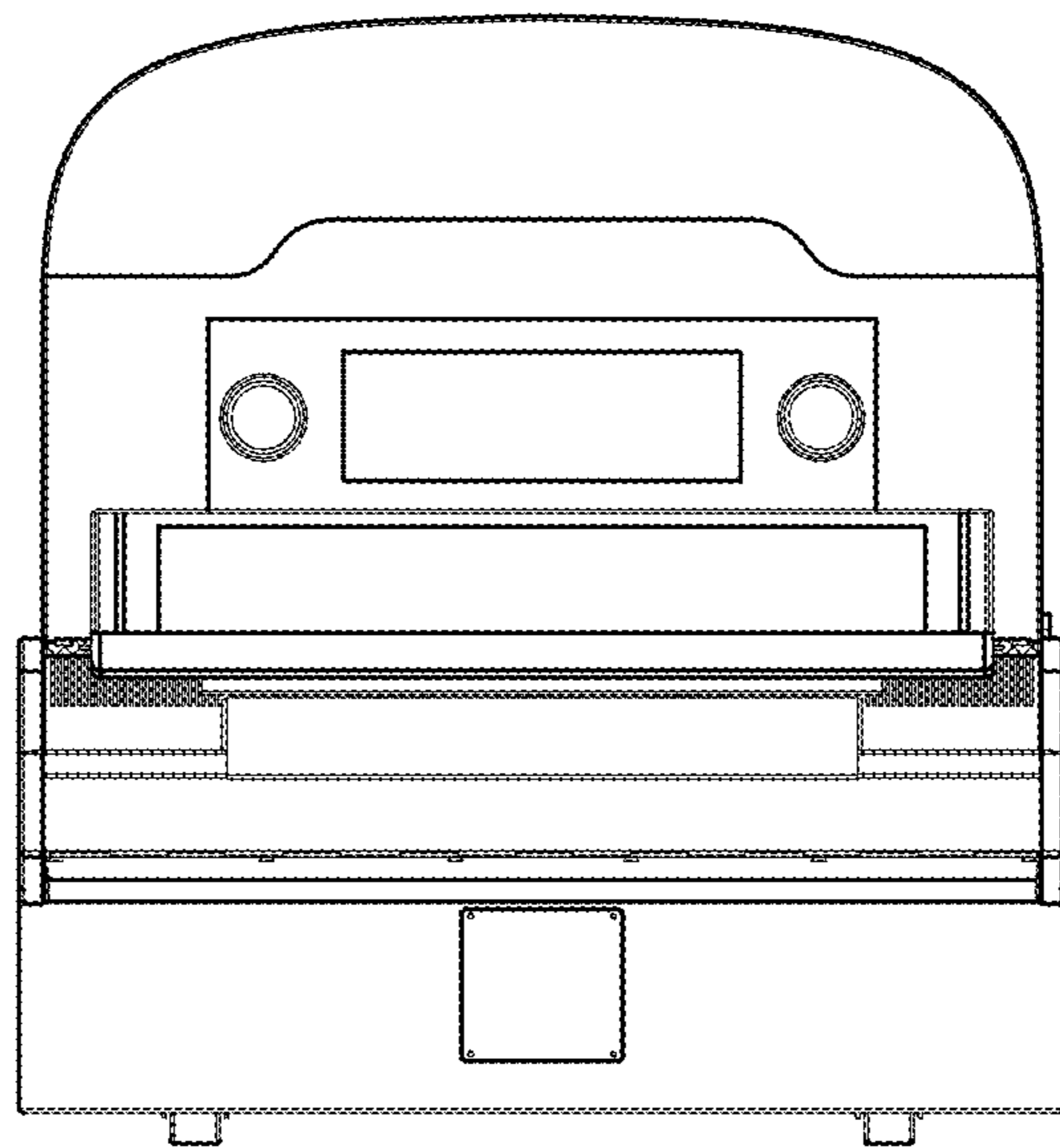


FIG.7