



US00D911447S

(12) **United States Design Patent**  
**Conrad**

(10) **Patent No.:** **US D911,447 S**  
(45) **Date of Patent:** **\*\* Feb. 23, 2021**

(54) **STEERING WHEEL FOR GAME CONSOLES**

**DESCRIPTION**

- (71) Applicant: **ENDOR AG**, Landshut (DE)
- (72) Inventor: **Bernhard Conrad**, Buch am Erlbach (DE)
- (73) Assignee: **ENDOR AG**, Landshut (DE)
- (\*\*) Term: **15 Years**
- (21) Appl. No.: **29/655,489**
- (22) Filed: **Jul. 3, 2018**
- (51) **LOC (13) Cl.** ..... **21-02**
- (52) **U.S. Cl.**  
USPC ..... **D21/333; D12/175**
- (58) **Field of Classification Search**  
USPC ..... D12/175-177; D14/401, 414; D21/333,  
D21/385, 477, 566  
See application file for complete search history.

(56) **References Cited**

**U.S. PATENT DOCUMENTS**

- D533,142 S \* 12/2006 Chen ..... D13/168
  - D548,653 S \* 8/2007 Costa ..... D12/176
- (Continued)

**OTHER PUBLICATIONS**

Fanatec Opens Limited Pre-Orders for New CSL Elite McLaren GT3 Wheel: Published Nov. 27, 2017 [online], site visited Mar. 19, 2020 . Available from Internet URL:<https://www.gtplanet.net/fanatec-csl-elite-mclaren-gt3/> (Year: 2017).\*

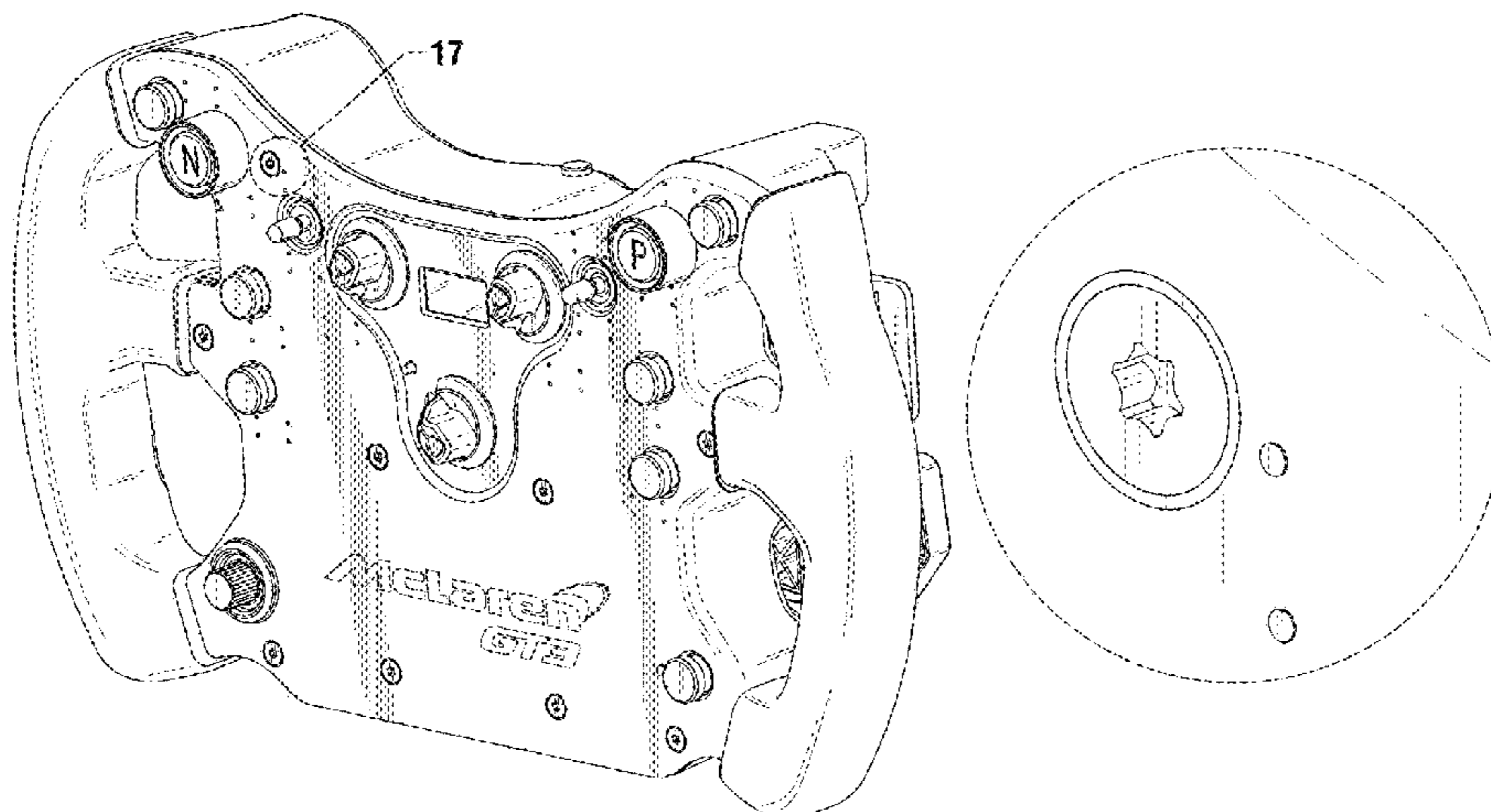
*Primary Examiner* — Michael C Stout  
*Assistant Examiner* — Melvin L Davis  
(74) *Attorney, Agent, or Firm* — The Culbertson Group, P.C.

(57) **CLAIM**

The ornamental design for a steering wheel for game consoles, as shown and described.

FIG. 1 is a right perspective view from the front and above a steering wheel showing the new design.  
 FIG. 2 is a right perspective view from the rear and above the steering wheel shown in FIG. 1  
 FIG. 3 is a front view of the steering wheel shown in FIG. 1.  
 FIG. 4 is a rear view of the steering wheel shown in FIG. 1.  
 FIG. 5 is a right side view of the steering wheel shown in FIG. 1.  
 FIG. 6 is a left side view of the steering wheel shown in FIG. 1.  
 FIG. 7 is a top view of the steering wheel shown in FIG. 1  
 FIG. 8 is a bottom view of the steering wheel shown in FIG. 1.  
 FIG. 9 is a right perspective view from the front and above an alternate embodiment of a steering wheel showing the new design.  
 FIG. 10 is a right perspective view from the rear and above the steering wheel shown in FIG. 9  
 FIG. 11 is a front view of the steering wheel shown in FIG. 9.  
 FIG. 12 is a rear view of the steering wheel shown in FIG. 9.  
 FIG. 13 is a right side view of the steering wheel shown in FIG. 9.  
 FIG. 14 is a left side view of the steering wheel shown in FIG. 9.  
 FIG. 15 is a top view of the steering wheel shown in FIG. 9.  
 FIG. 16 is a bottom view of the steering wheel shown in FIG. 9.  
 FIG. 17 is an enlarged perspective view of the steering wheel portion called out in FIG. 1; and,  
 FIG. 18 is an enlarged perspective view of the steering wheel portion called out in FIG. 2.  
 The broken lines shown in the drawings depict portions of the steering wheel that form no part of the claimed design.

**1 Claim, 11 Drawing Sheets**



(56)

**References Cited**

U.S. PATENT DOCUMENTS

D573,198	S	*	7/2008	Bramfitt	.....	D14/400
D592,114	S	*	5/2009	Tombazis	.....	D12/176
D627,831	S	*	11/2010	Tombazis	.....	D21/333
D631,922	S	*	2/2011	Kang	.....	D21/453
D633,853	S	*	3/2011	Aruga	.....	D12/345
D638,017	S	*	5/2011	Ortiz	.....	D14/401
D657,923	S	*	4/2012	Dammkoehler	.....	D32/28
D708,675	S	*	7/2014	Delrue	.....	D21/333
D769,781	S	*	10/2016	Allison	.....	D12/175
D776,023	S	*	1/2017	Allison	.....	D12/175
D787,994	S	*	5/2017	Carbone	.....	D12/175
D813,123	S	*	3/2018	Allison	.....	D12/175
D867,237	S	*	11/2019	Resta	.....	D12/175
2006/0258452	A1	*	11/2006	Hsu	.....	A63F 13/06 463/36

\* cited by examiner

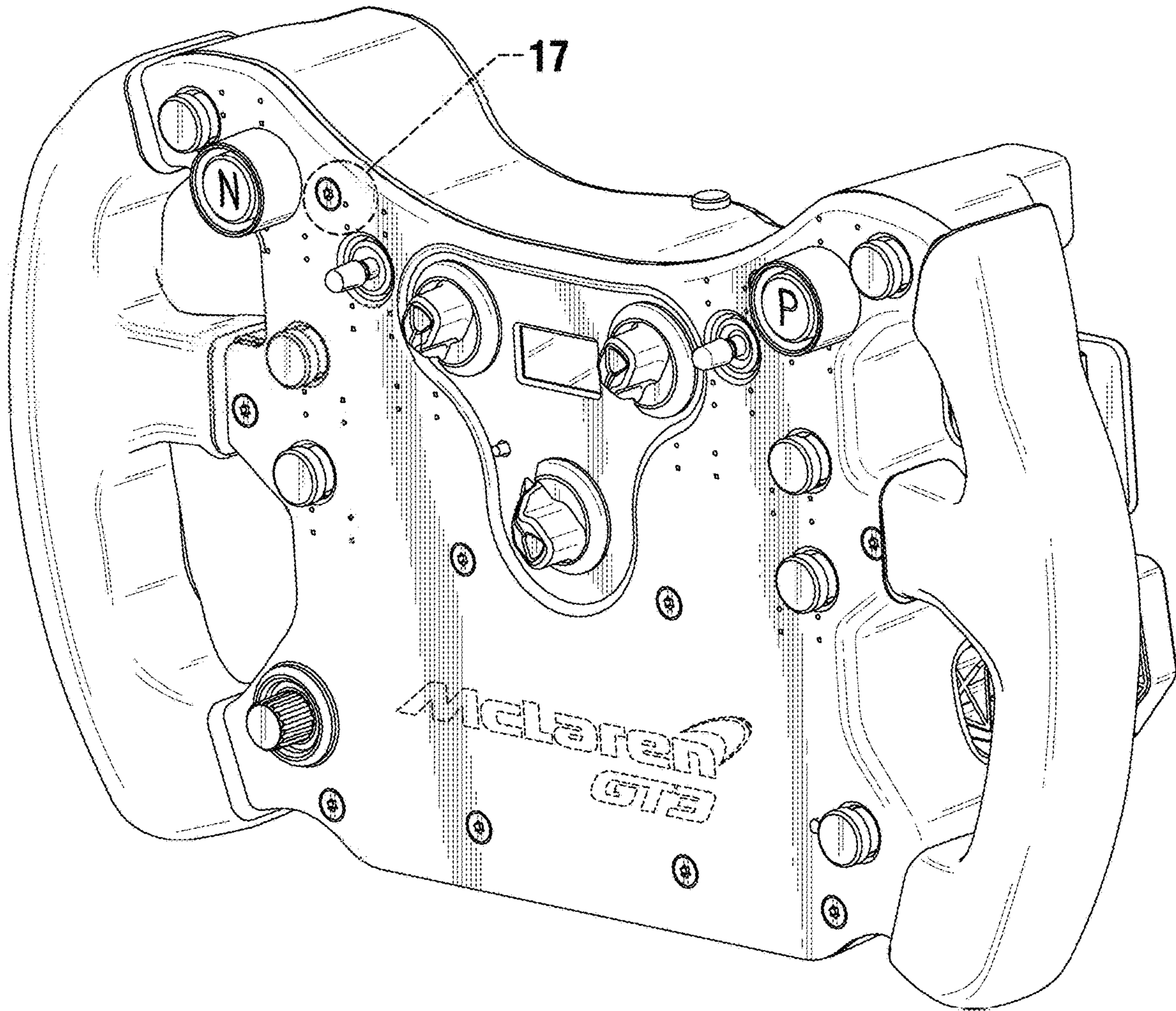


FIG. 1

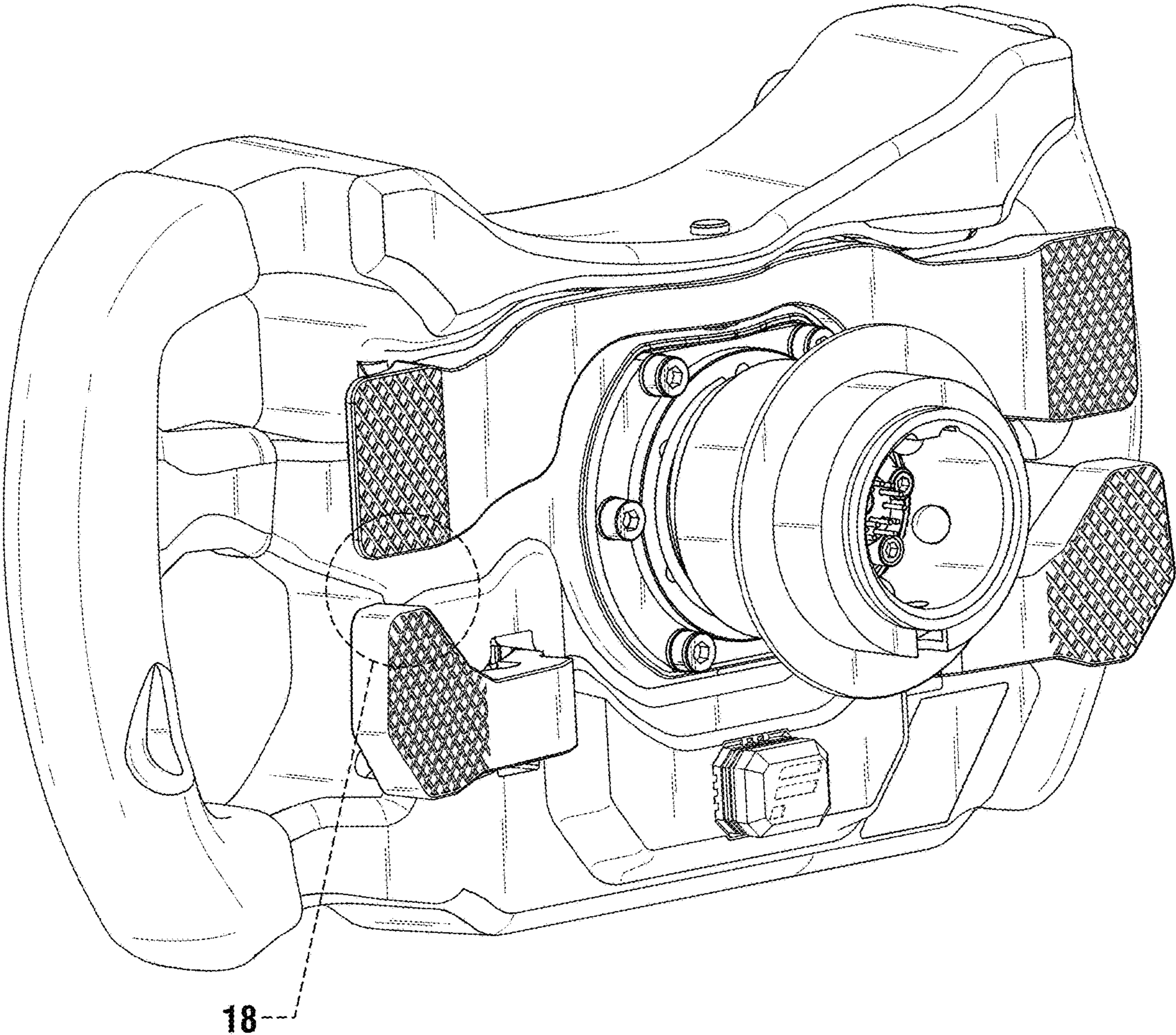


FIG. 2

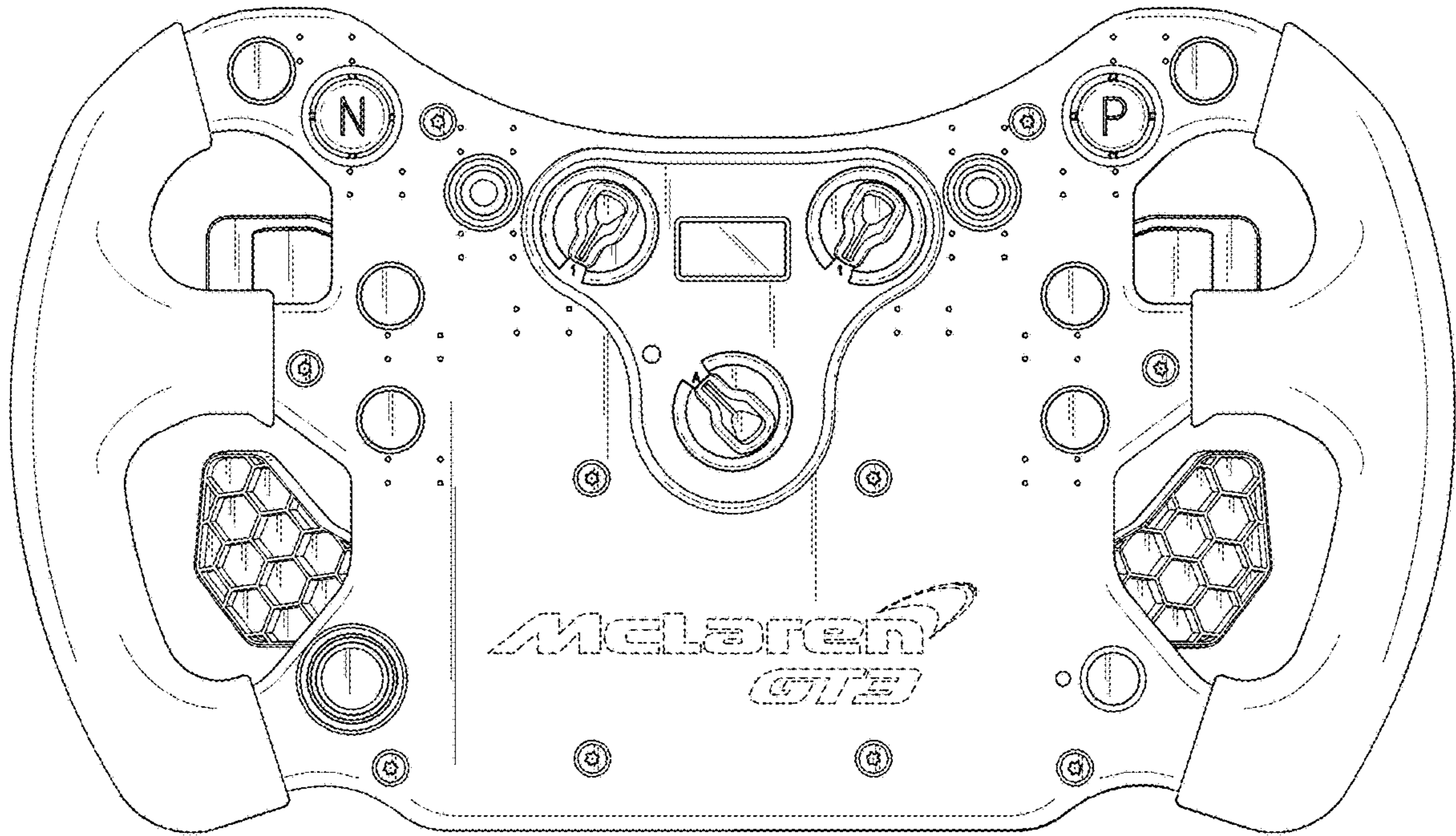


FIG. 3

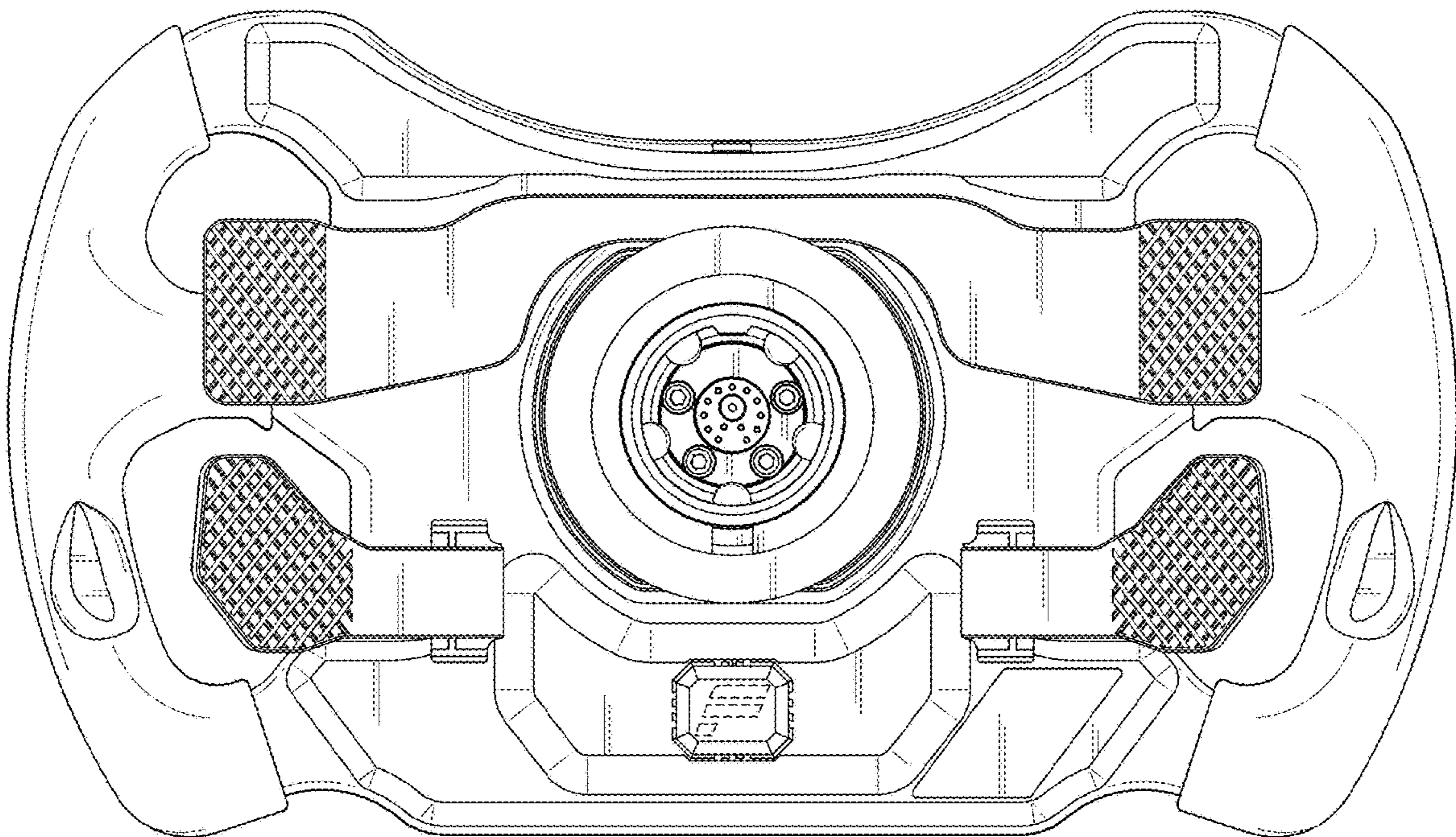


FIG. 4

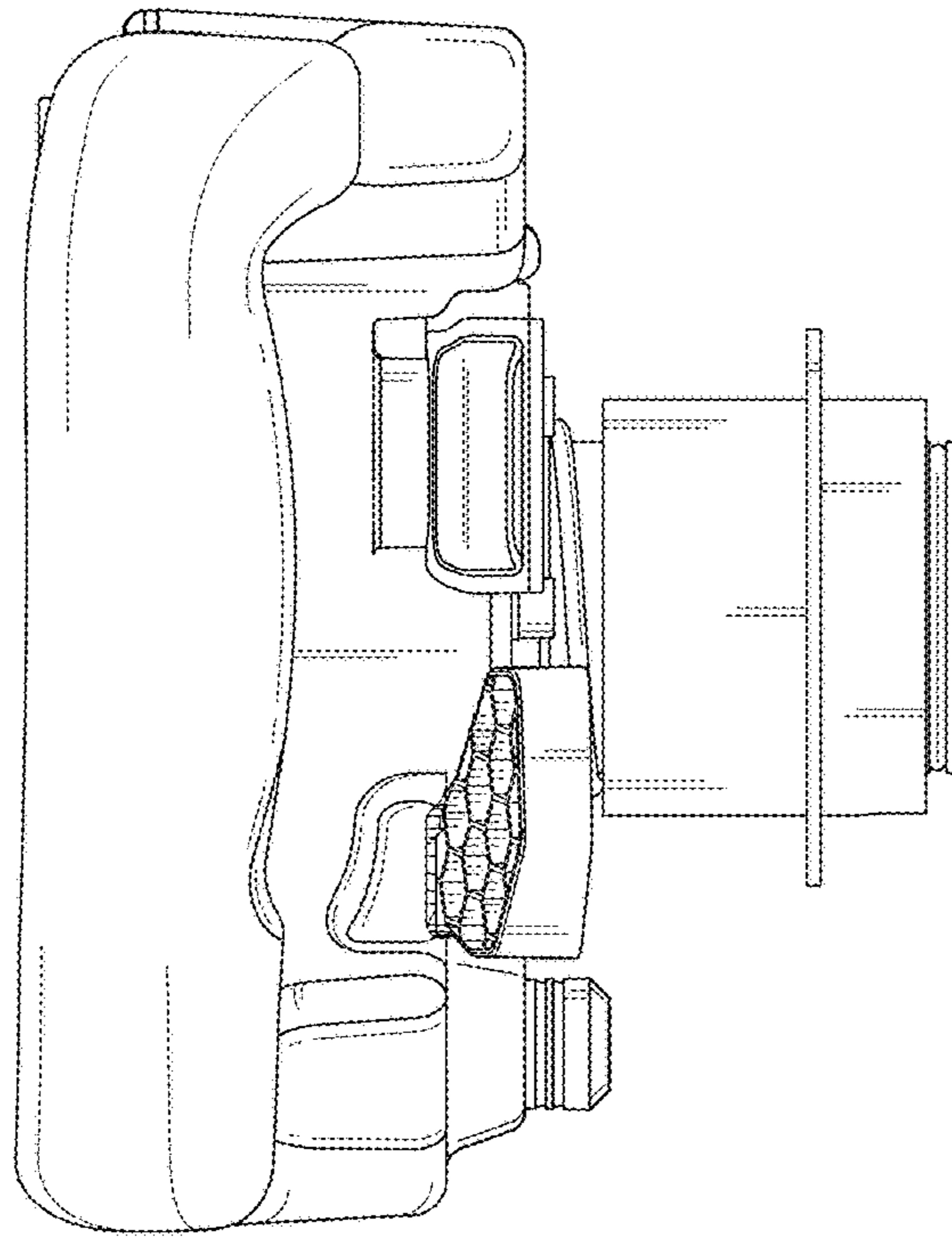


FIG. 5

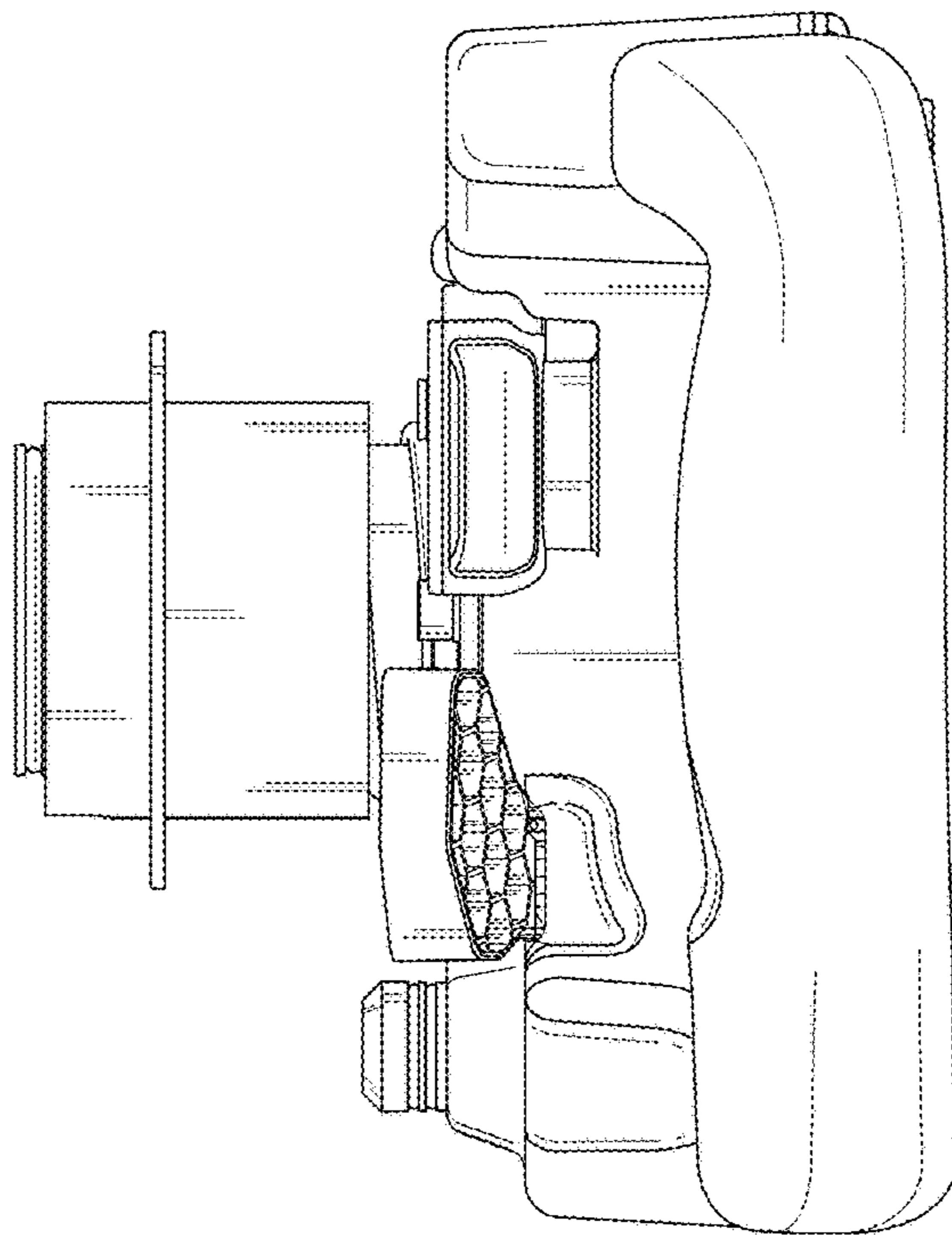
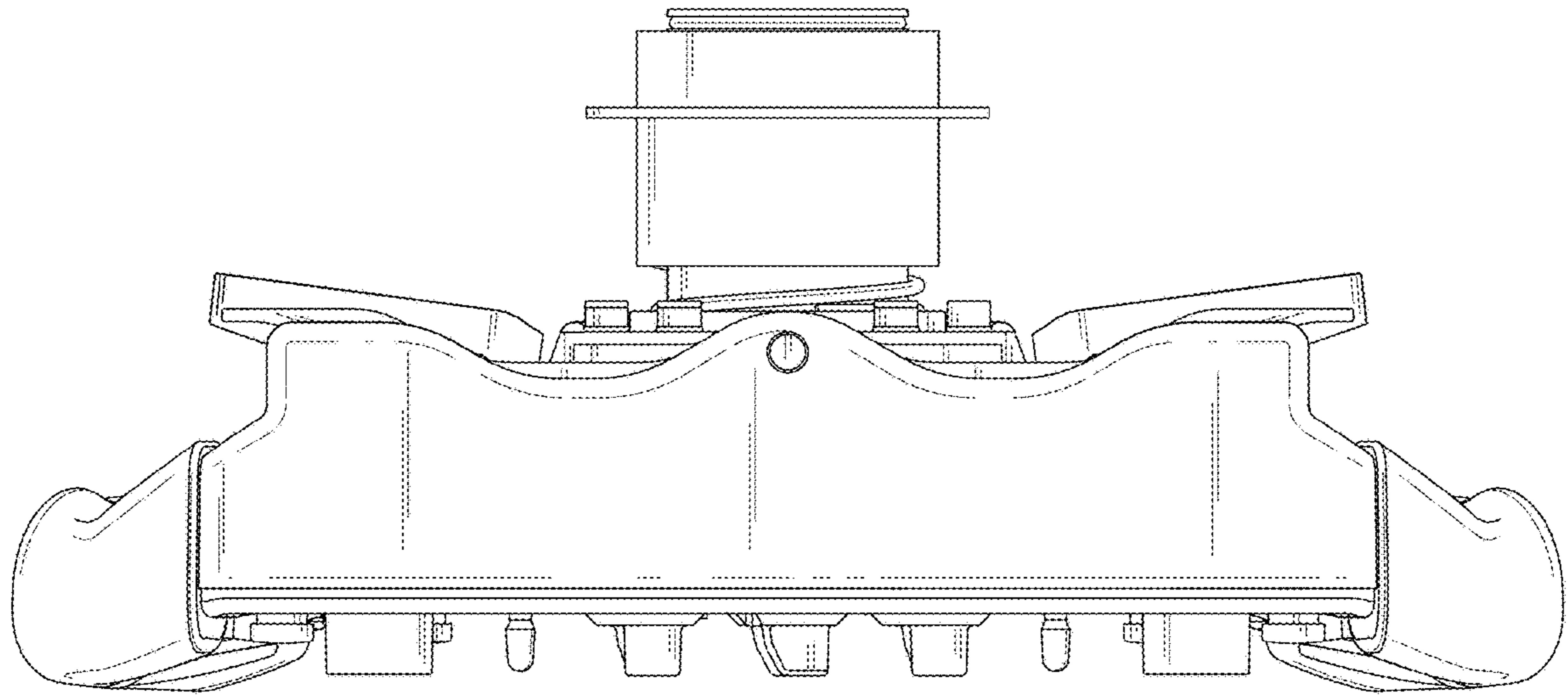
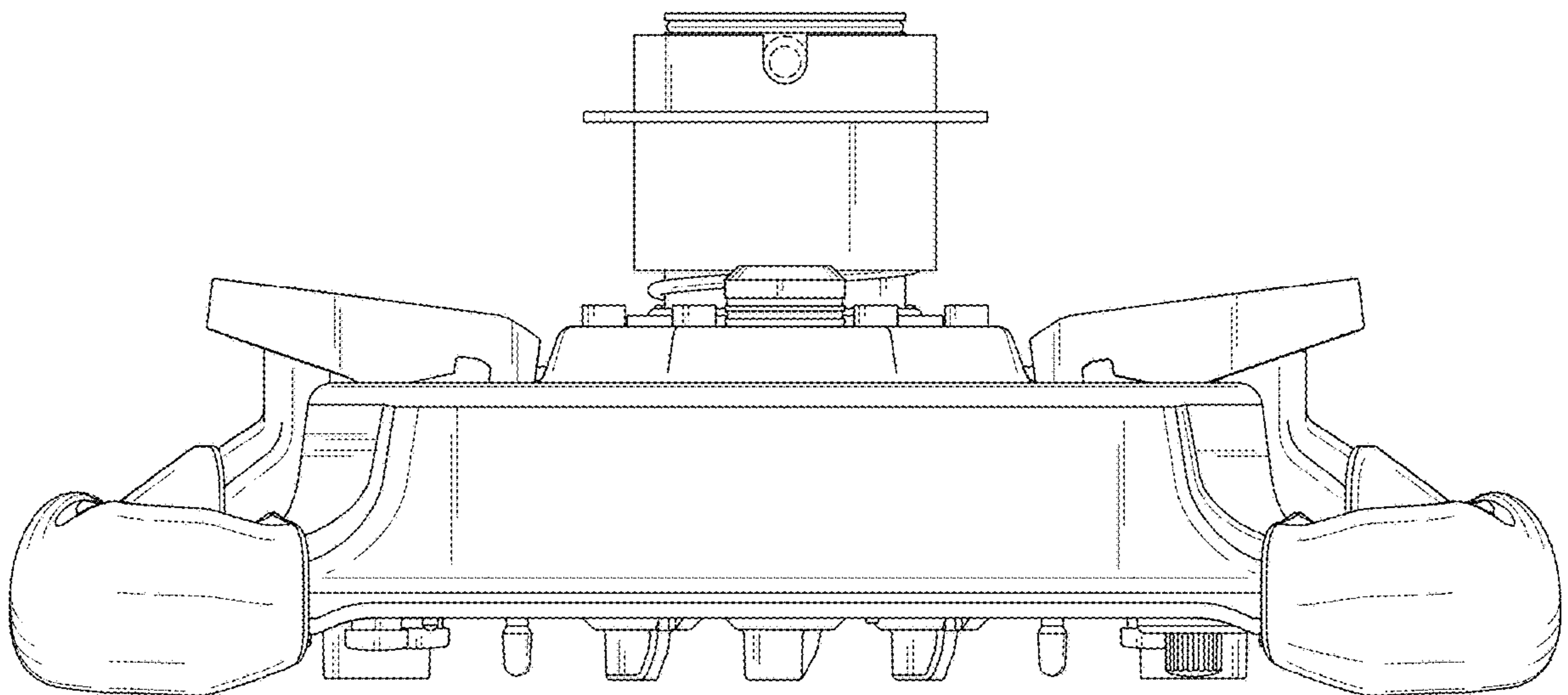


FIG. 6



**FIG. 7**



**FIG. 8**

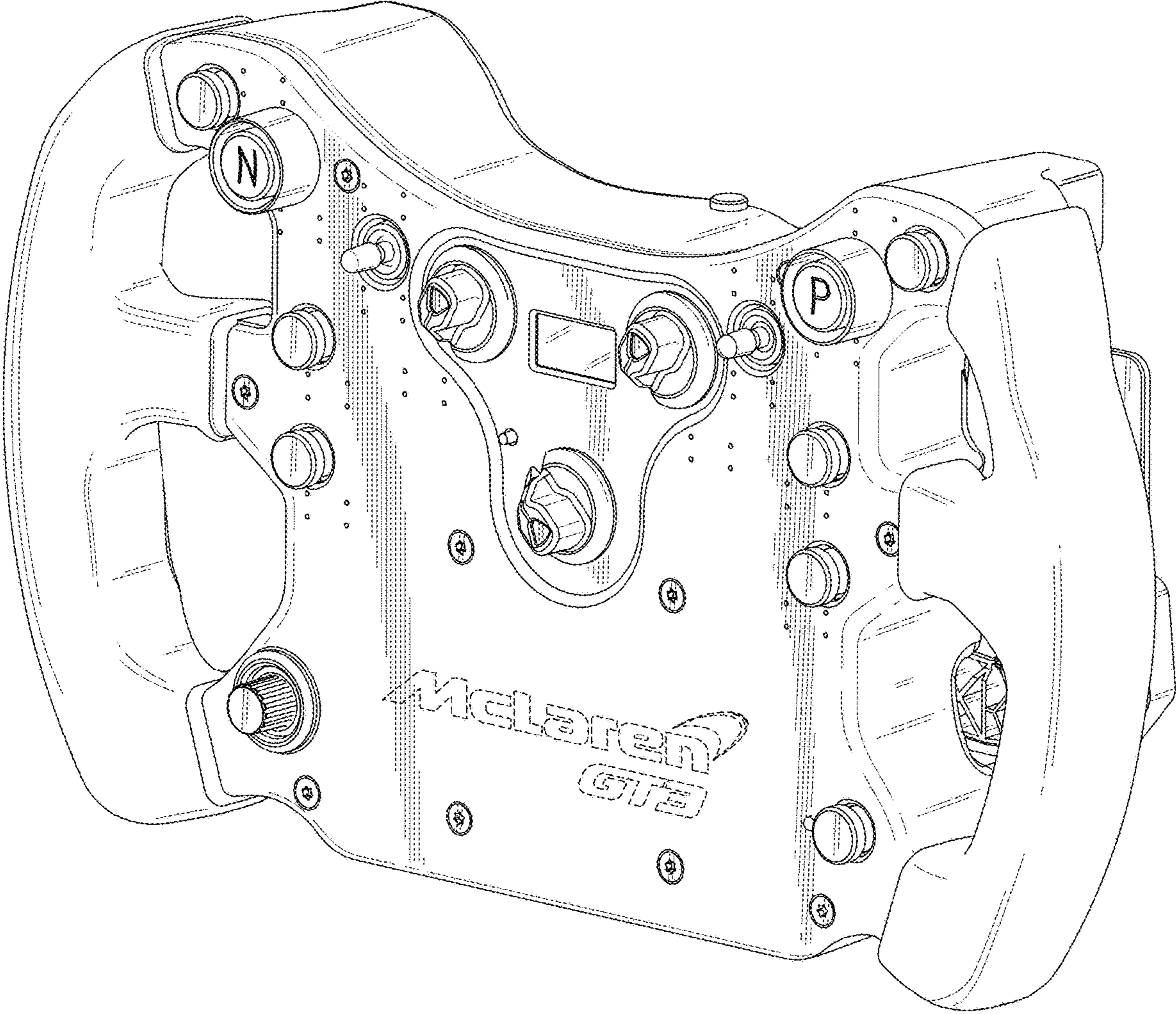


FIG. 9



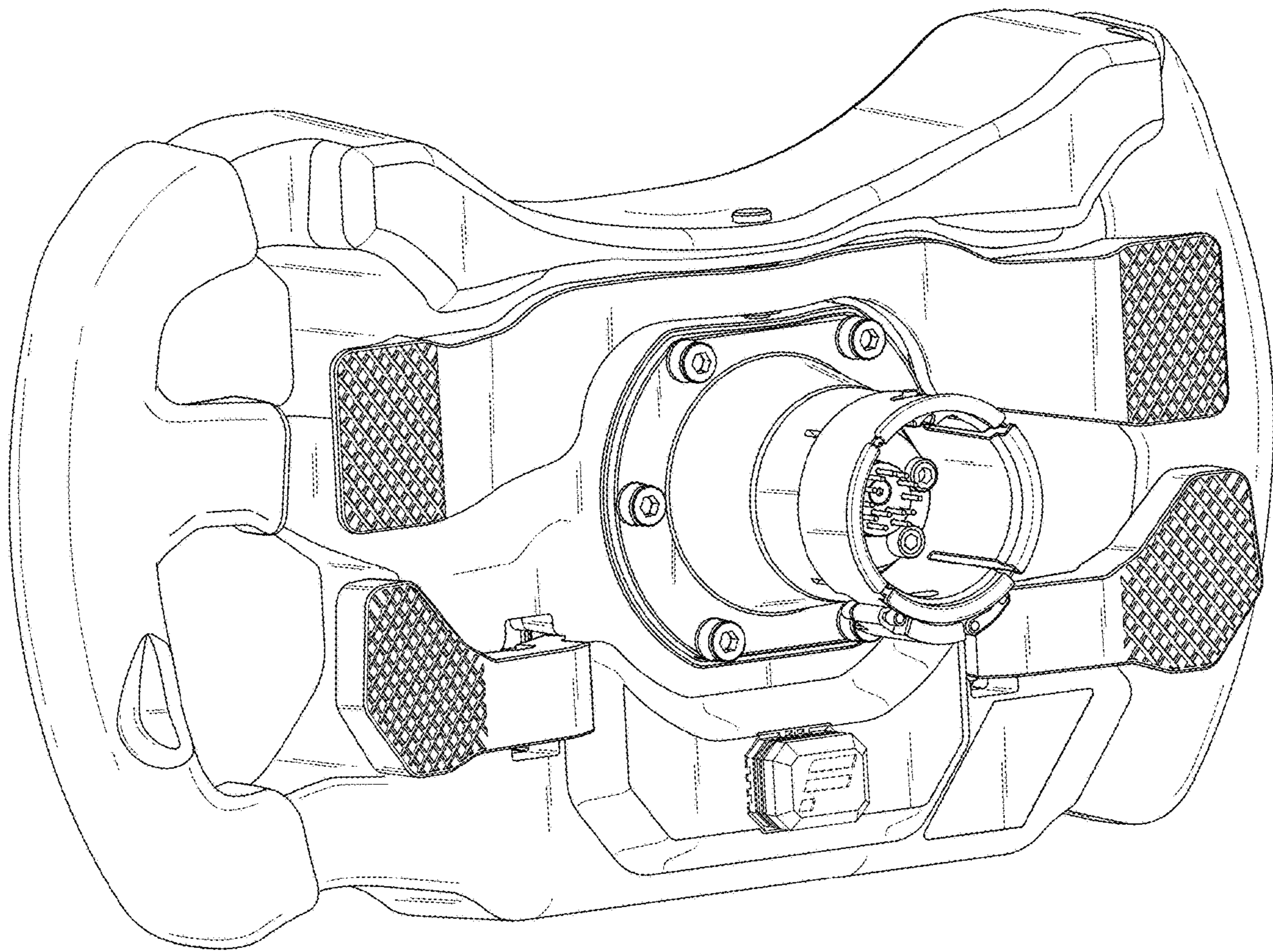


FIG. 10

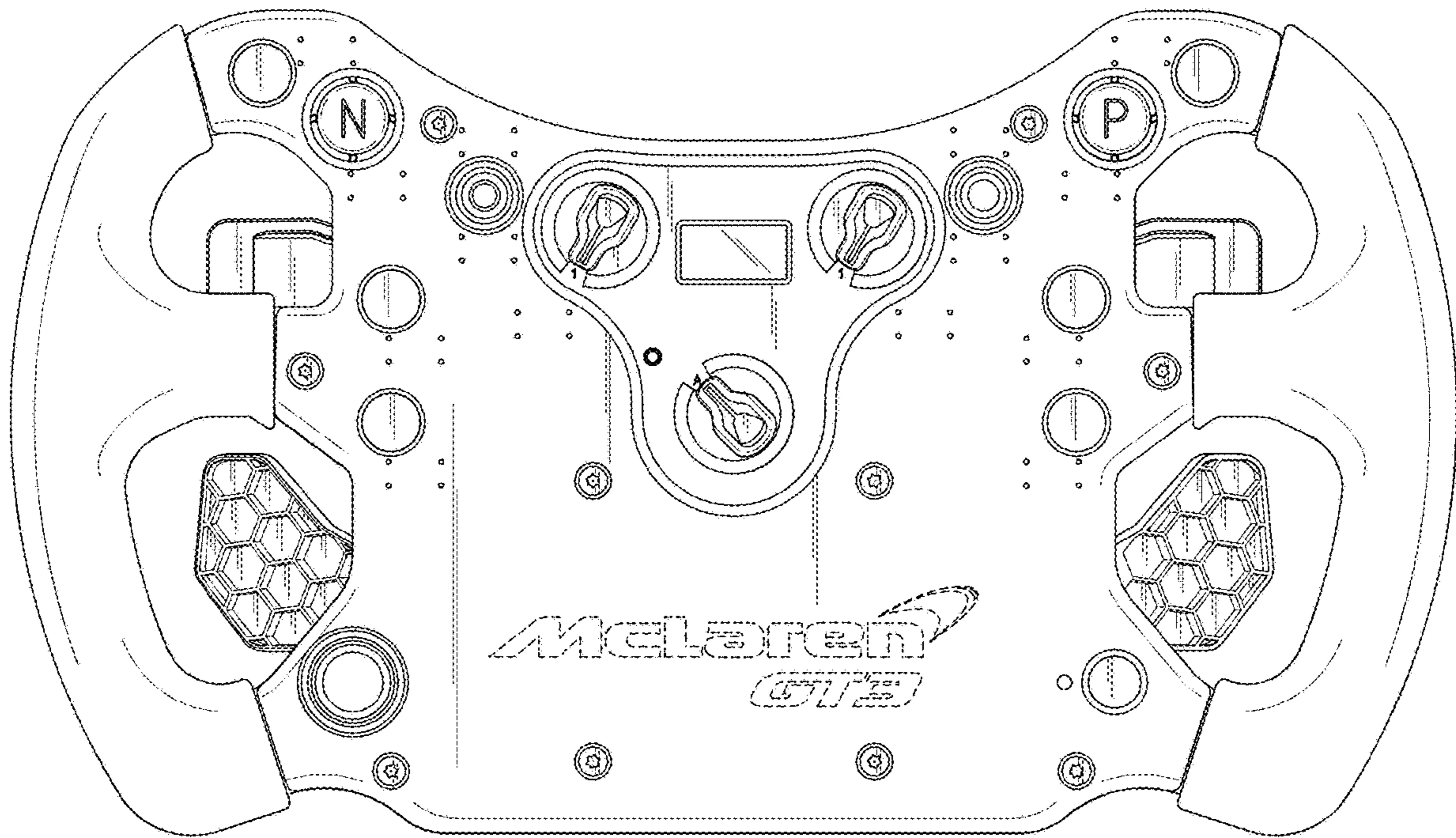


FIG. 11

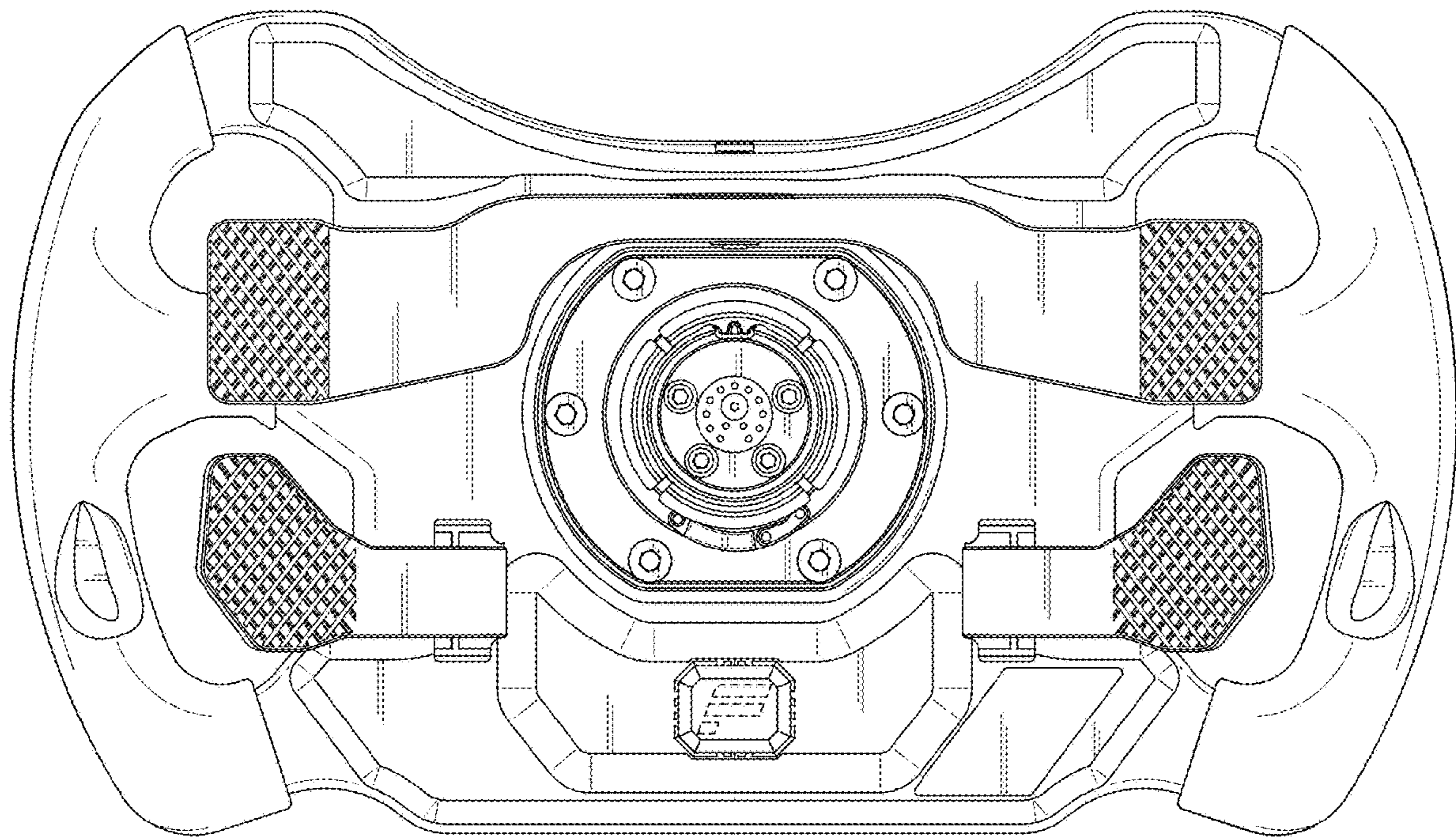
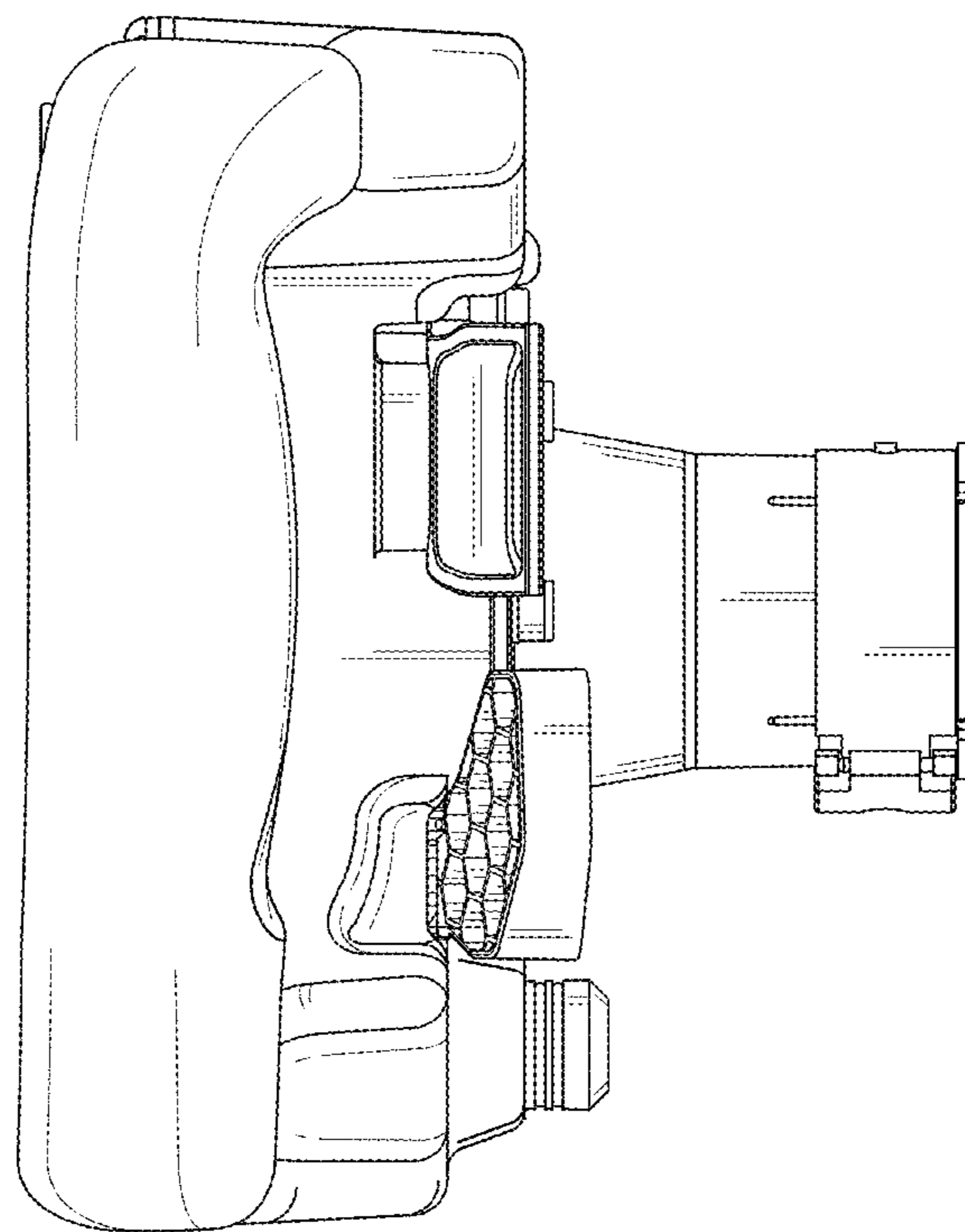
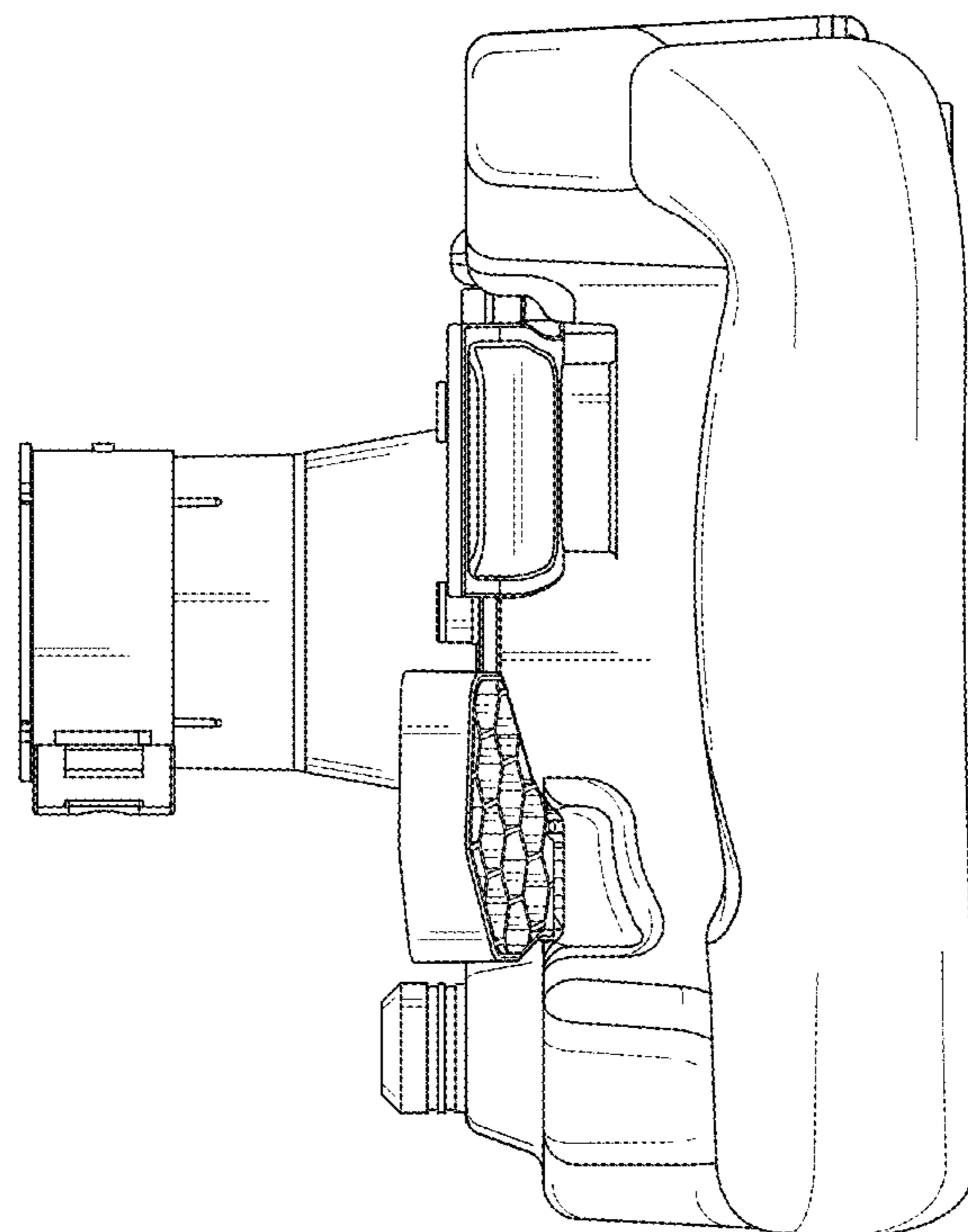


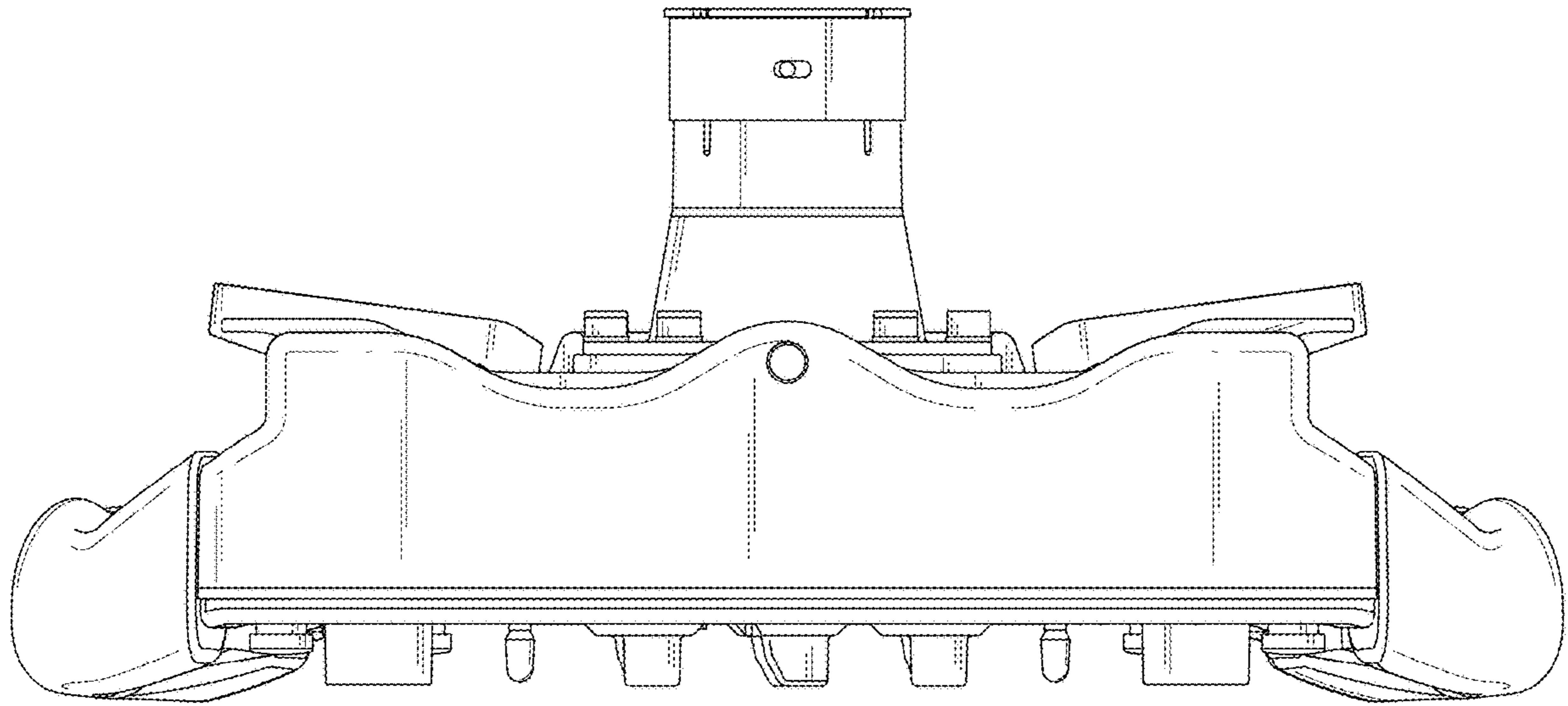
FIG. 12



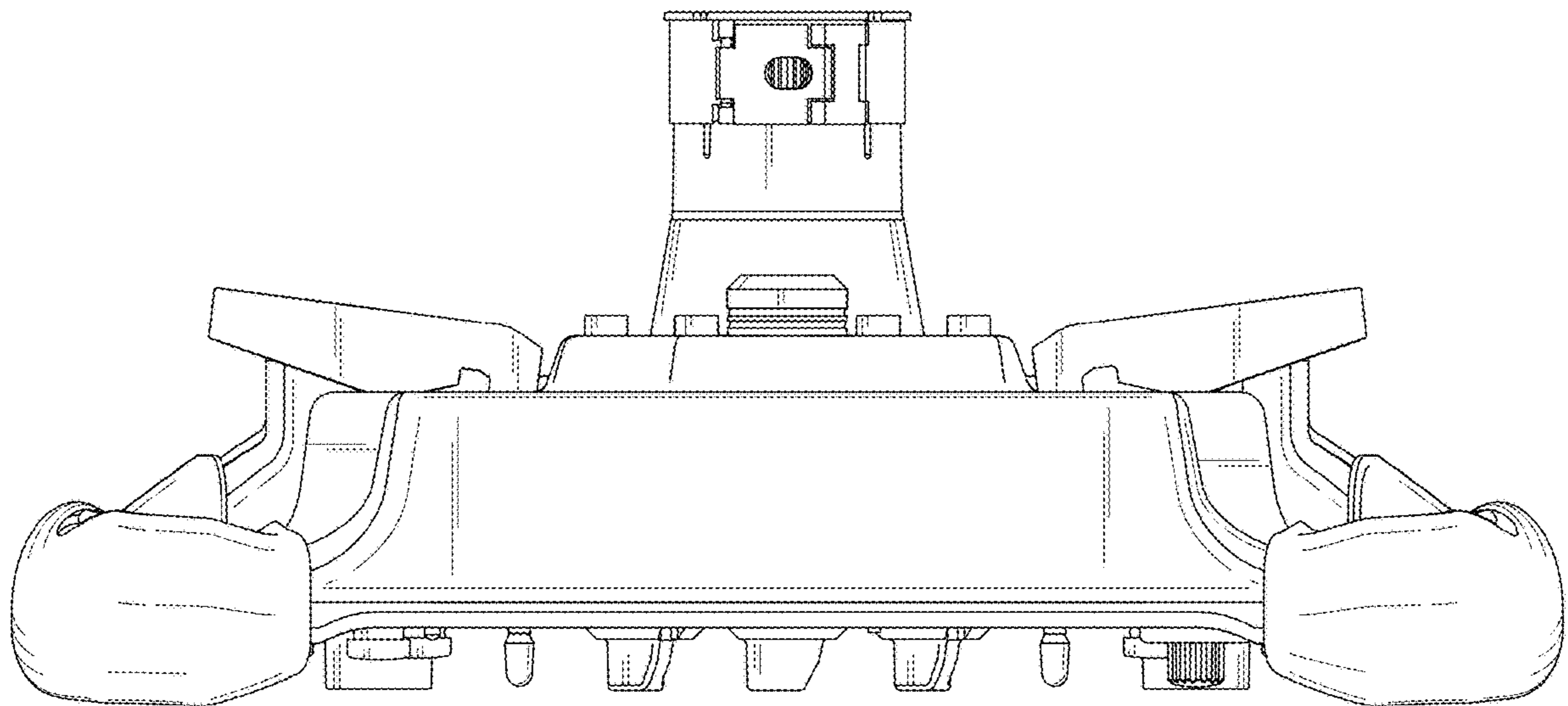
**FIG. 13**



**FIG. 14**



**FIG. 15**



**FIG. 16**

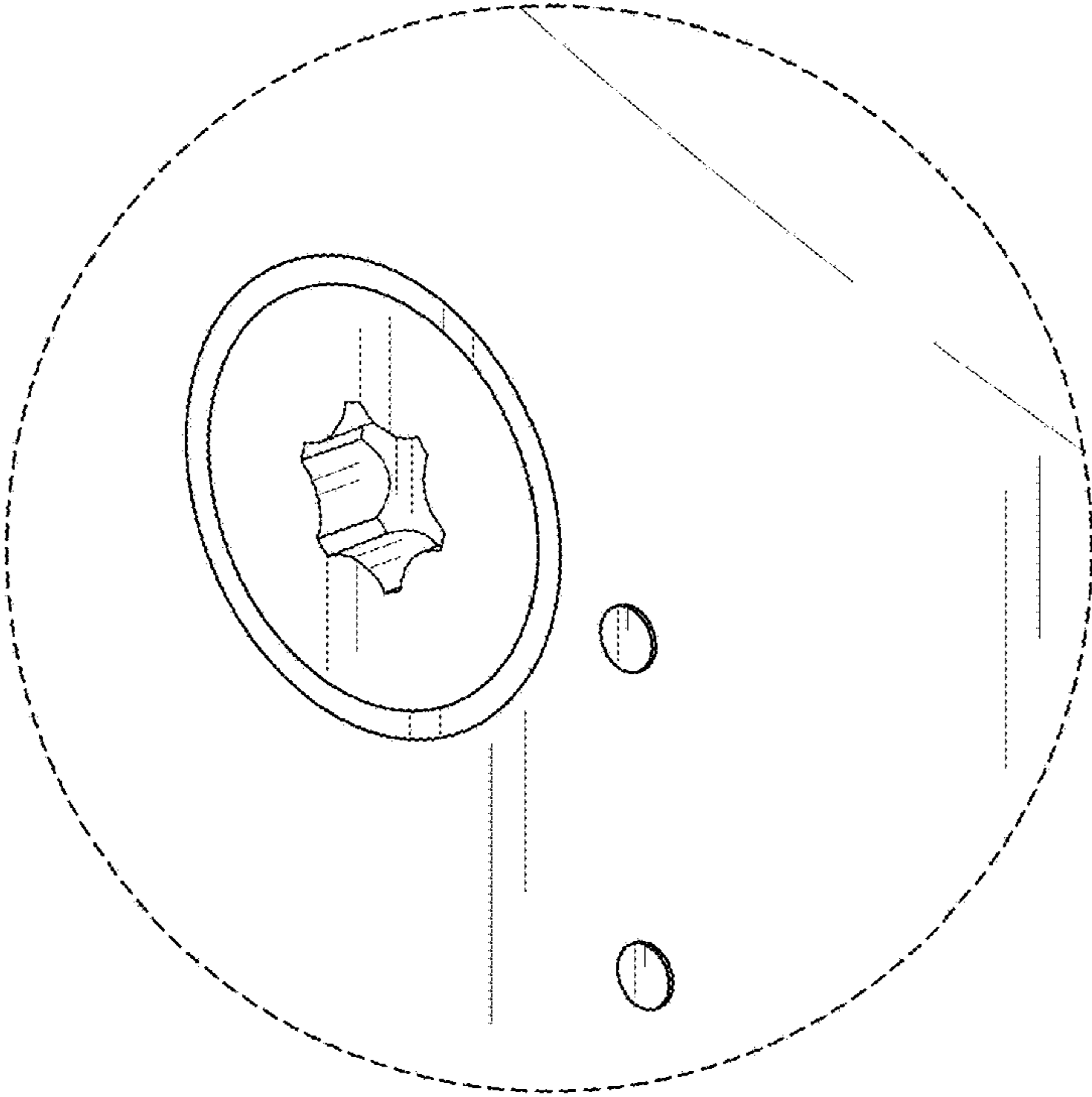


FIG. 17

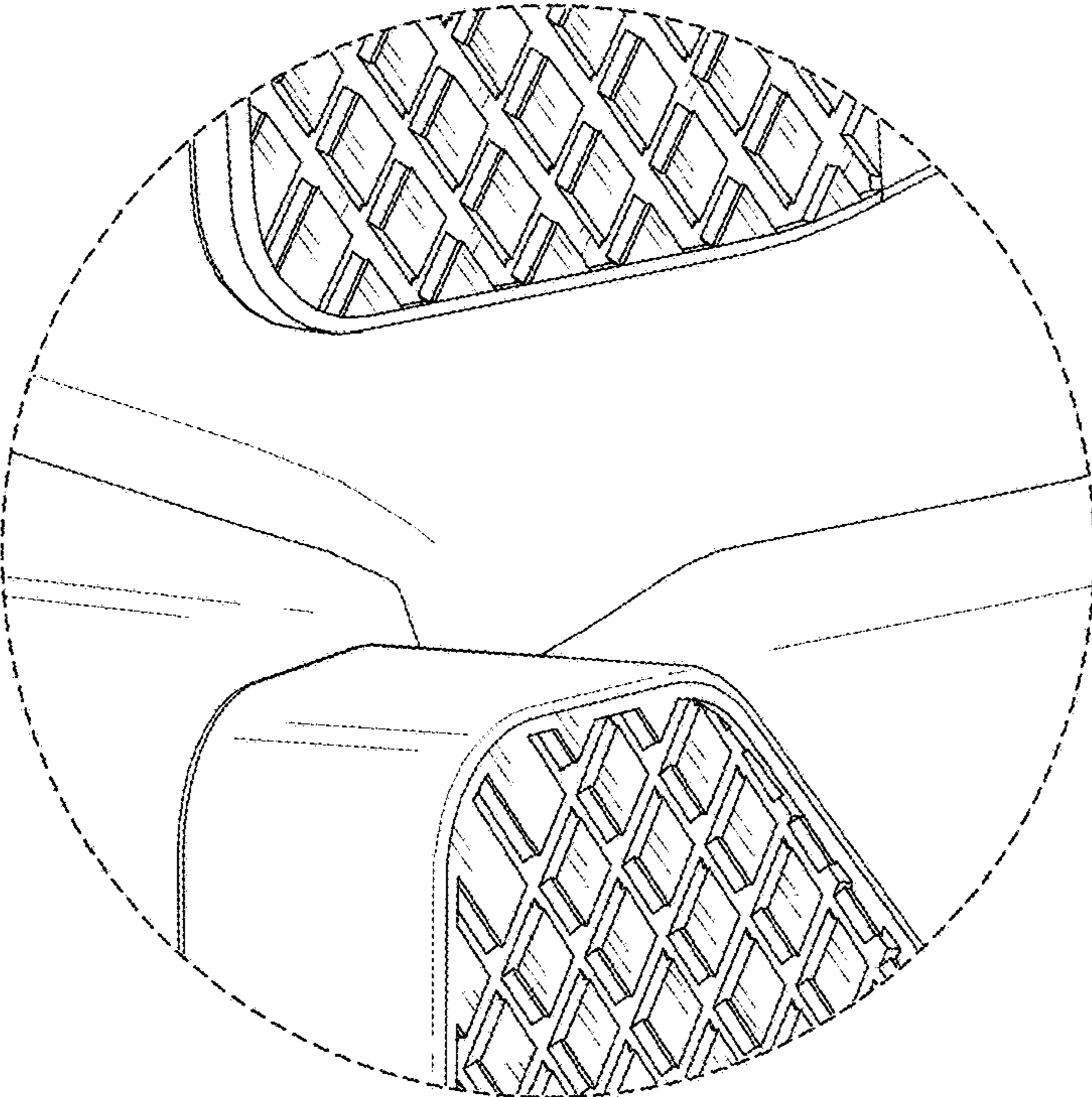


FIG. 18