



US00D911443S

(12) **United States Design Patent**
White

(10) **Patent No.:** **US D911,443 S**

(45) **Date of Patent:** **** Feb. 23, 2021**

- (54) **LIGHTED RECTANGULAR FRAME FOR RELEASABLY SUPPORTING INTERCHANGEABLE SIGNS**
- (71) Applicant: **Franklin B White**, Ft. Pierce, FL (US)
- (72) Inventor: **Franklin B White**, Ft. Pierce, FL (US)
- (**) Term: **15 Years**
- (21) Appl. No.: **29/620,878**
- (22) Filed: **Aug. 4, 2017**
- (51) **LOC (13) Cl.** **20-02**
- (52) **U.S. Cl.**
USPC **D20/10**
- (58) **Field of Classification Search**
USPC D6/300-302, 308, 672; D8/300, 333, D8/349, 353-355, 363, 373, 380, 394; D10/109.1, 109.2, 113.4; D20/10-13, 15, D20/17, 19, 20, 21, 41, 42, 99; D14/485-495, 341, 448, 17, 28; D26/31; 40/368, 446, 452, 453, 488, 538, 541, 40/542, 545-548, 563, 564, 568, 40/570-574, 582, 584, 594, 596, 600, 40/605, 615, 617, 618, 624; 362/217, 362/551, 559, 562, 565, 806, 811, 812; D25/61; D19/113; D12/115
CPC G09F 7/16; G09F 2007/122; G09F 13/00; G09F 13/04; G09F 13/06; G09F 13/18; G09F 13/22; G09F 13/24; G09F 13/26; G09F 2013/1895; G09F 15/00
See application file for complete search history.

(56) **References Cited**

U.S. PATENT DOCUMENTS

- D243,378 S * 2/1977 Tharp D6/300
4,355,479 A * 10/1982 Thornton G09F 7/18
40/488
D271,168 S * 11/1983 Antonczyk D6/300

- D373,906 S * 9/1996 Wang D6/300
6,240,665 B1 * 6/2001 Brown G09F 13/04
40/570
6,393,748 B1 5/2002 Cooper 40/610
D476,818 S * 7/2003 Stravitz D6/300
6,694,896 B1 2/2004 Milazzo 108/115
D534,729 S * 1/2007 Rowan D6/302
D538,857 S * 3/2007 Lutz D20/43
7,337,569 B2 3/2008 Glass 40/610
D606,761 S * 12/2009 Quinn D6/302
D617,995 S * 6/2010 Zhang D6/308
7,886,467 B2 2/2011 Glass 40/610
D646,678 S * 10/2011 Sirotych D14/341
D654,703 S * 2/2012 LeMay D6/300

(Continued)

Primary Examiner — Christian P. McLean

(74) *Attorney, Agent, or Firm* — David A. Burge

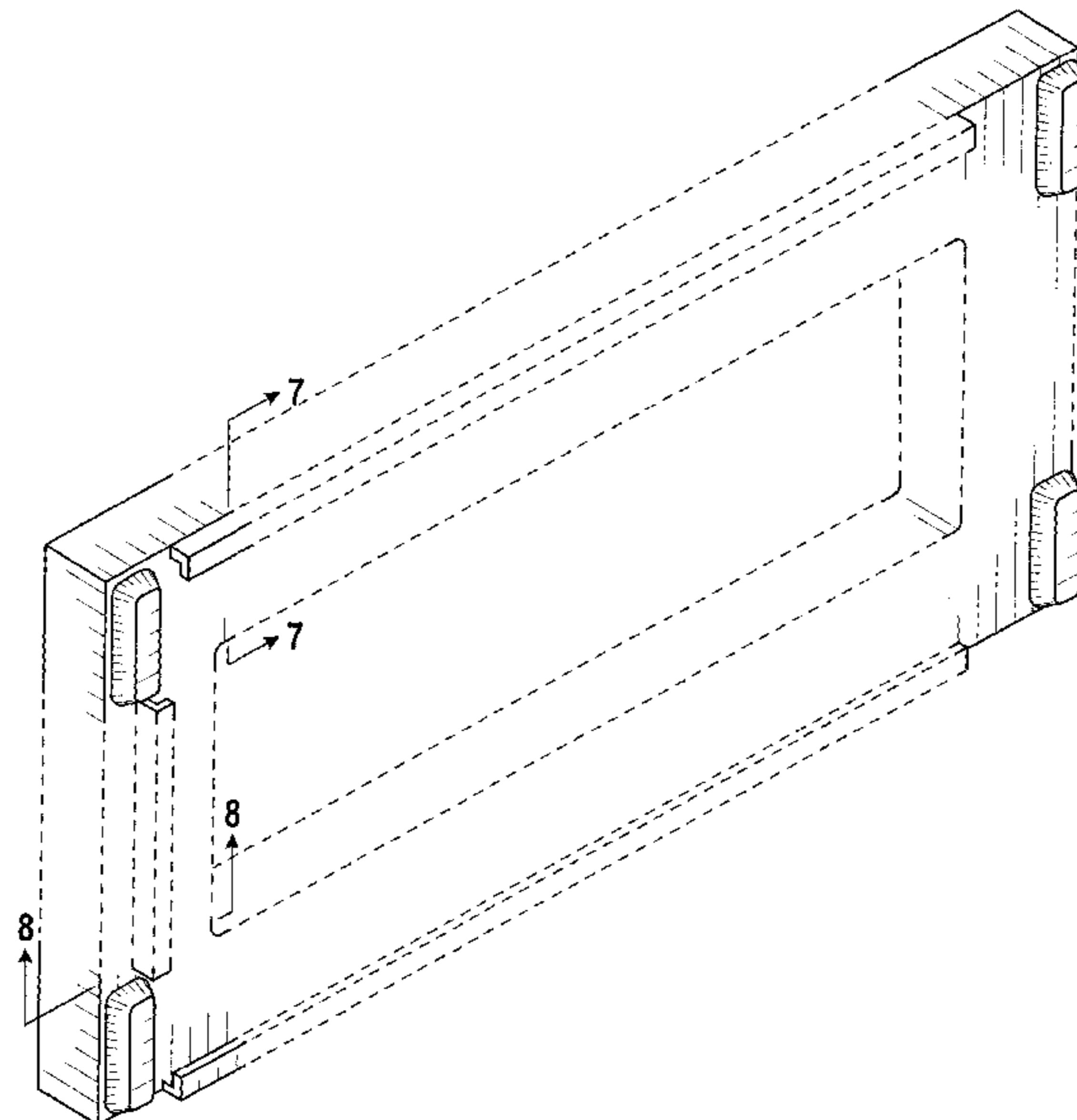
(57) **CLAIM**

I claim the ornamental design for a lighted rectangular frame for releasably supporting interchangeable signs, as shown and described.

DESCRIPTION

FIG. 1 is a perspective view showing top, front and left side regions of my new design;
FIG. 2 is a left side elevational view thereof;
FIG. 3 is a right side elevational view thereof;
FIG. 4 is a front elevational view thereof;
FIG. 5 is a top plan view thereof, it being understood that a bottom view is a mirror image thereof;
FIG. 6 is a rear elevational view thereof;
FIG. 7 is a cross-sectional view as seen from a plane indicated by a line 7-7 in FIG. 1; and,
FIG. 8 is a cross-sectional view as seen from a plane indicated by a line 8-8 in FIG. 1.
The broken lines illustrate portions of the lighted rectangular frame for releasably supporting interchangeable signs that form no part of the claimed design.

1 Claim, 5 Drawing Sheets



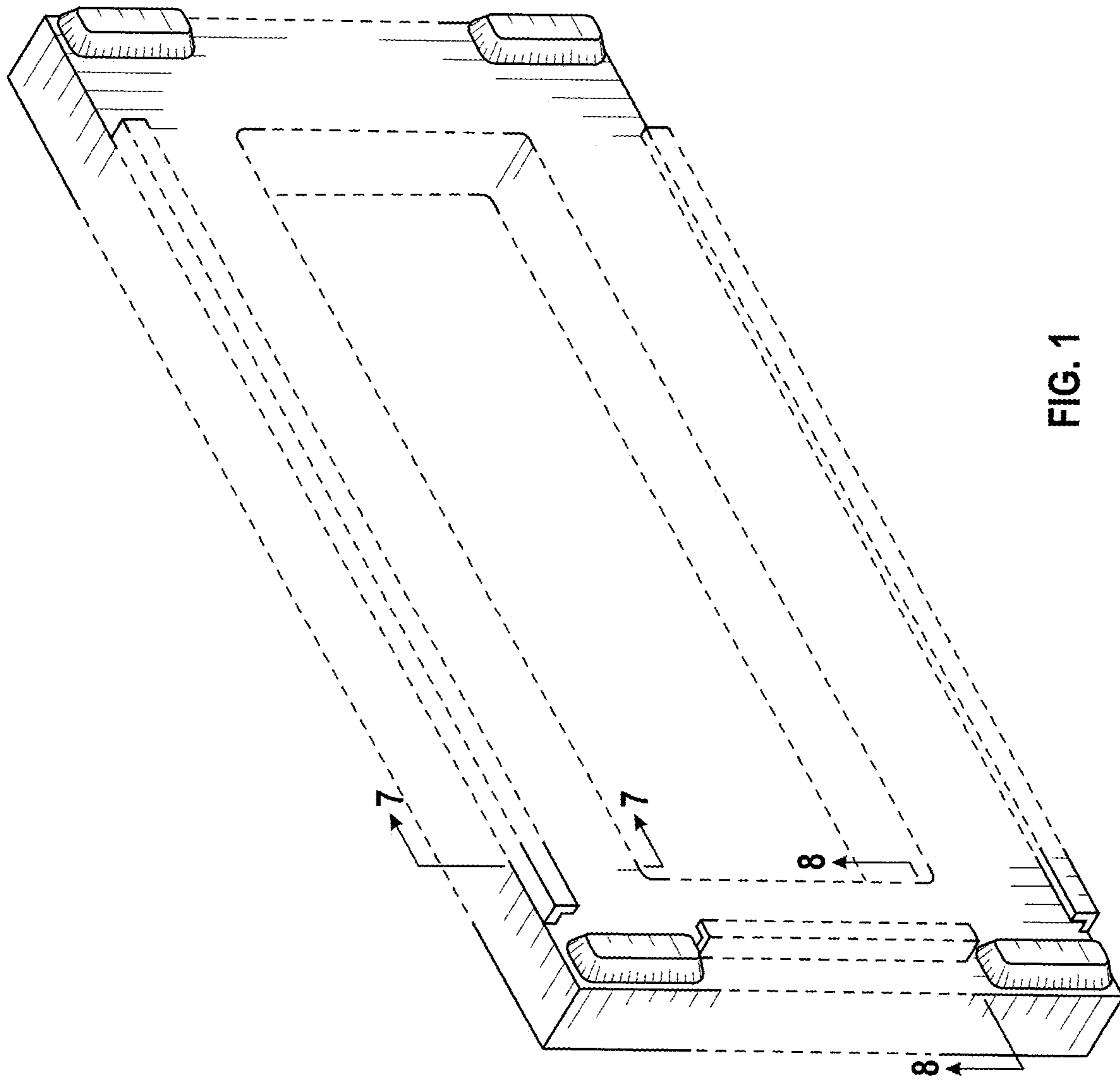
(56)

References Cited

U.S. PATENT DOCUMENTS

8,297,789 B2 * 10/2012 Liu G09F 13/18
362/249.02
D670,766 S * 11/2012 Busch D20/43
9,078,536 B2 * 7/2015 Boettcher A47G 29/122
D757,853 S * 5/2016 Wright D20/10
D764,265 S * 8/2016 Monsees D8/380
D779,498 S * 2/2017 Moon D14/448
D781,743 S * 3/2017 McDonald D11/164
D808,178 S * 1/2018 Jones D6/300
D830,743 S * 10/2018 Demircift D6/672
D853,735 S * 7/2019 Hao D6/300
10,352,527 B2 * 7/2019 Uozu F21V 3/04
10,352,544 B2 * 7/2019 Myers F21V 29/89
D865,222 S * 10/2019 Cai D25/61
D887,368 S * 6/2020 Prange D13/156
2004/0216345 A1 * 11/2004 Wadusky A47G 1/0638
40/768
2008/0029419 A1 * 2/2008 Appelbaum 206/463
2019/0385493 A1 * 12/2019 Lei G09F 13/22

* cited by examiner



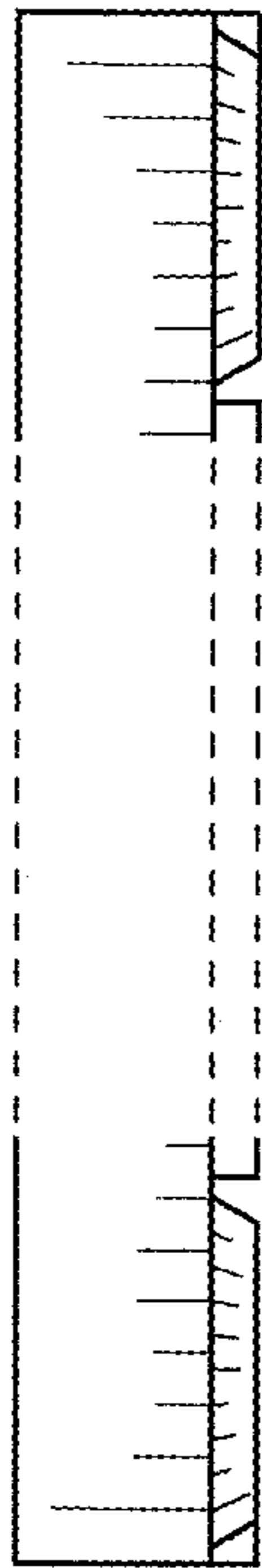


FIG. 2

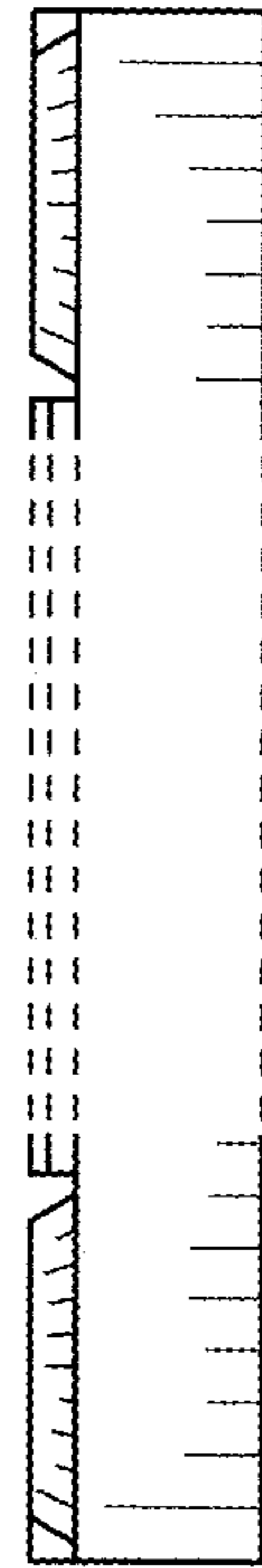


FIG. 3

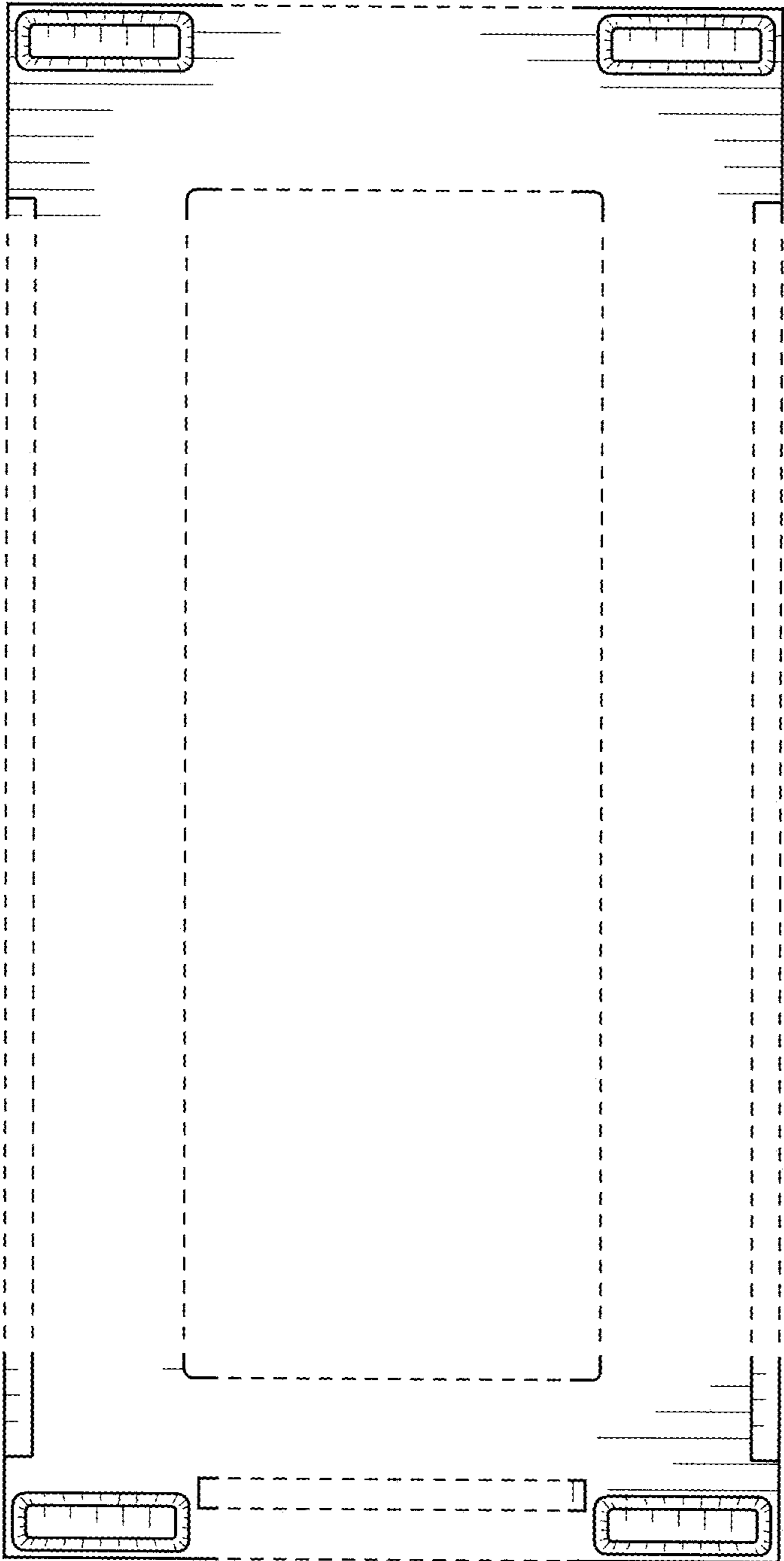


FIG. 4



FIG. 5

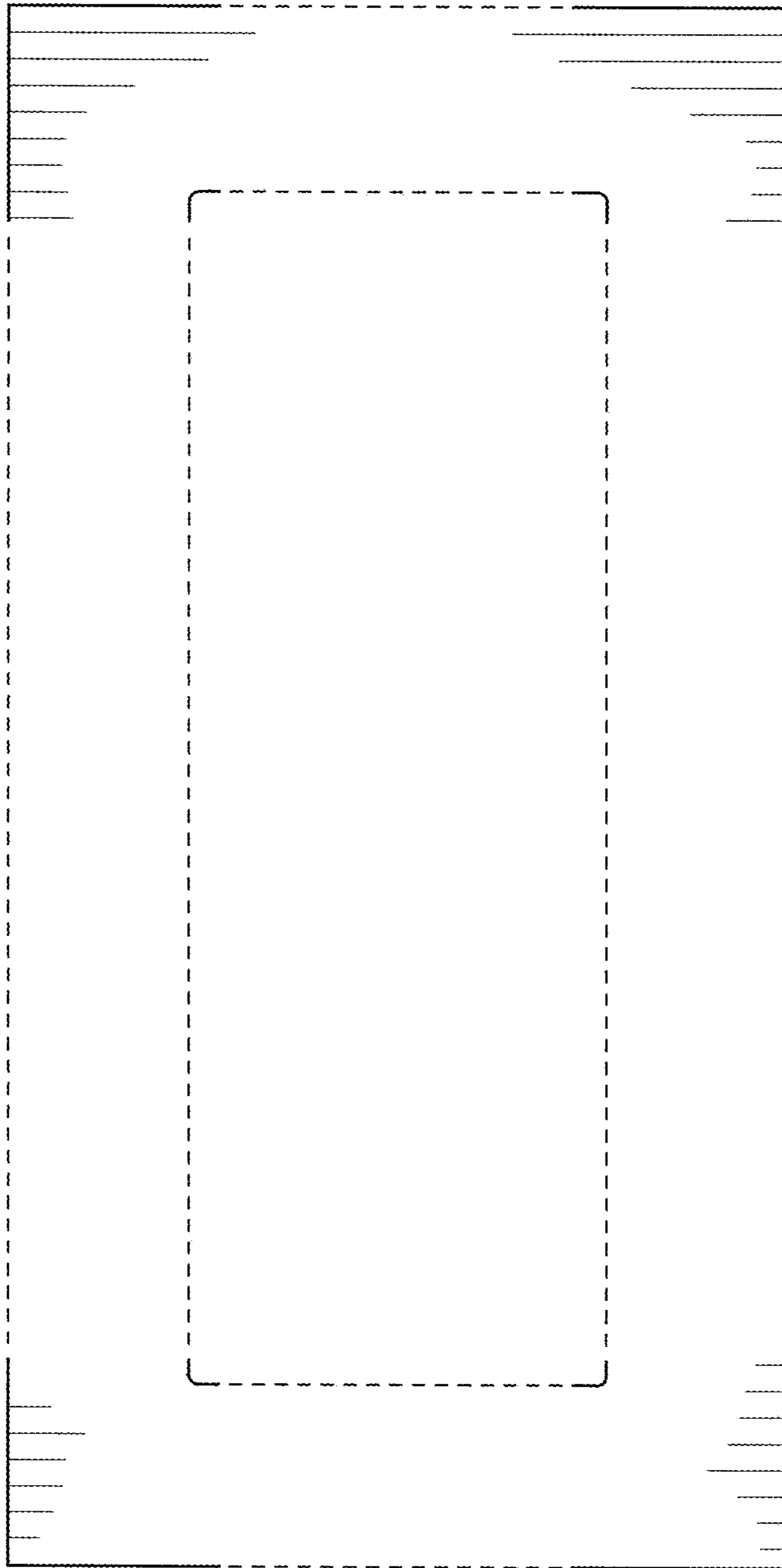


FIG. 6

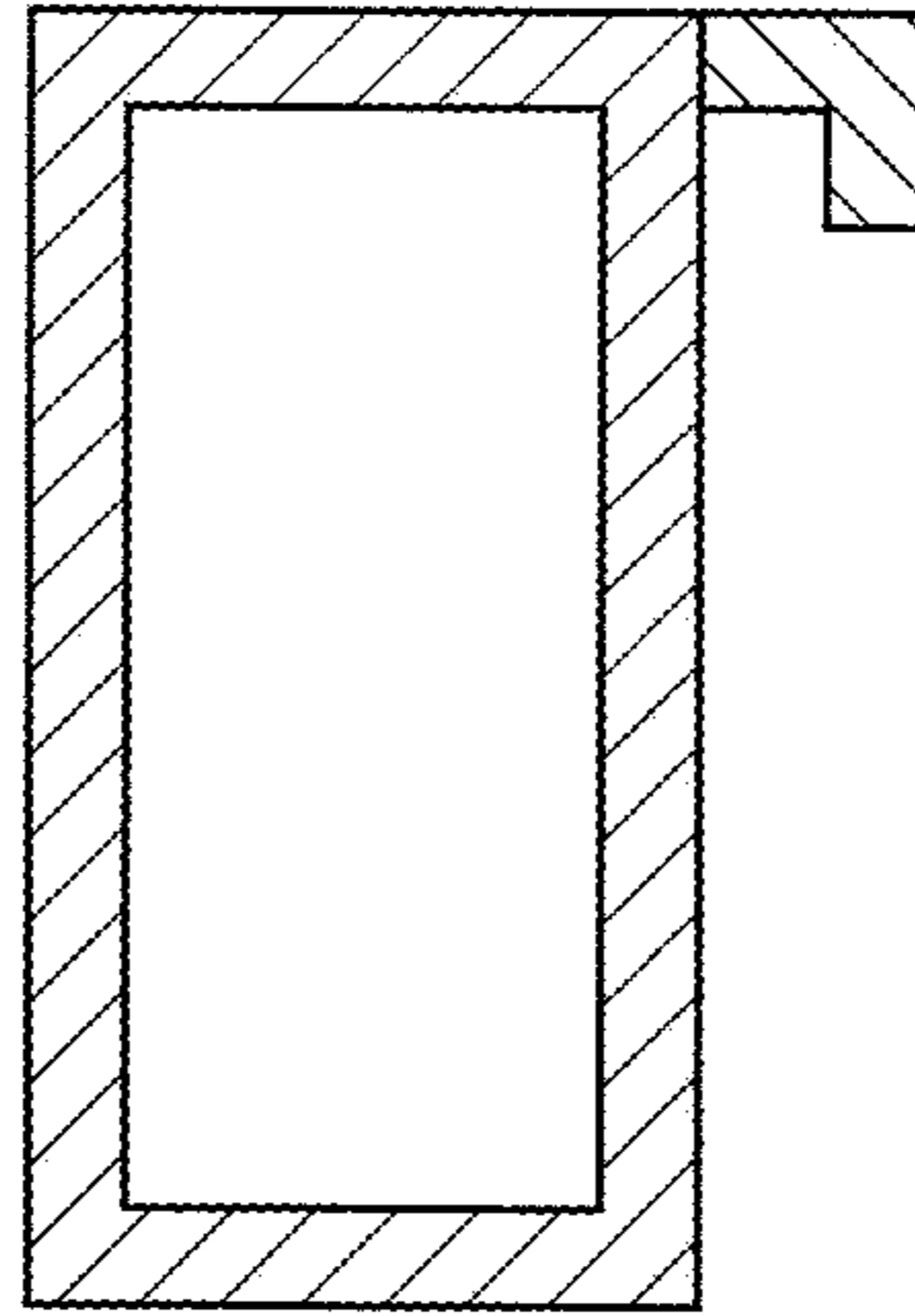


FIG. 7

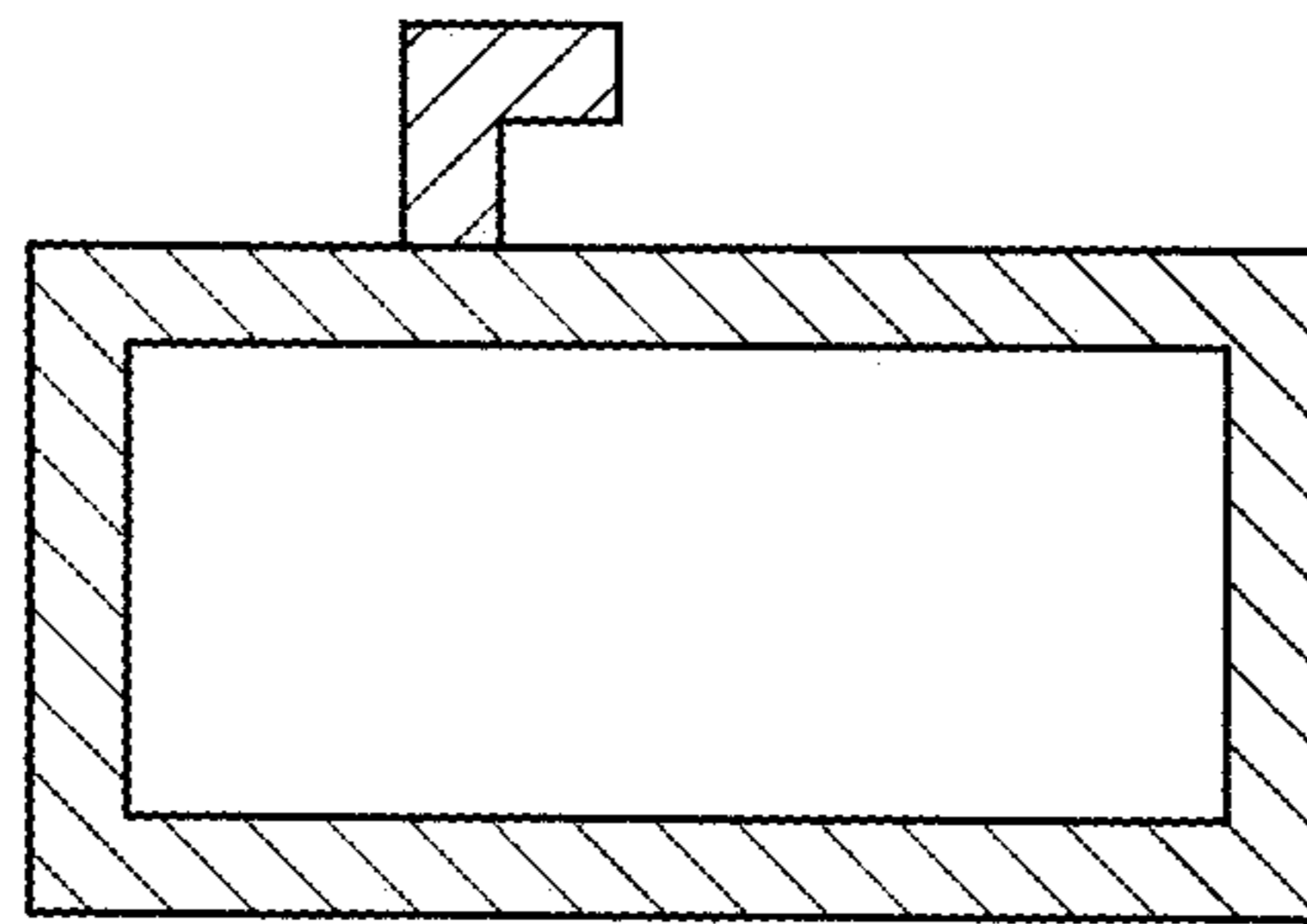


FIG. 8