



US00D911441S

(12) **United States Design Patent** (10) **Patent No.:** **US D911,441 S**  
**Pereira** (45) **Date of Patent:** **\*\* Feb. 23, 2021**

(54) **WHITEBOARD**  
(71) Applicant: **BI-SILQUE, S.A.**, Esmoriz (PT)  
(72) Inventor: **Adriano Alexandre Oliveira Pereira**, Esmoriz (PT)  
(\*\*) Term: **15 Years**  
(21) Appl. No.: **35/507,933**  
(22) Filed: **May 24, 2019**  
(80) **Hague Agreement Data**  
Int. Filing Date: **May 24, 2019**  
Int. Reg. No.: **DM/203857**  
Int. Reg. Date: **May 24, 2019**  
Int. Reg. Pub. Date: **Nov. 29, 2019**  
(51) **LOC (13) Cl.** ..... **19-06**  
(52) **U.S. Cl.**  
USPC ..... **D19/113**  
(58) **Field of Classification Search**  
USPC ..... D19/26-33, 81, 88, 113, 114; D6/310, D6/311; D7/698; D20/10, 19, 39, 40, D20/41, 42  
CPC ..... B43L 1/00  
See application file for complete search history.

(56) **References Cited**  
U.S. PATENT DOCUMENTS  
5,176,522 A \* 1/1993 Robertson, Jr. .... B43L 1/00 434/408  
D613,704 S \* 4/2010 Yamaguchi ..... D14/128  
D635,189 S \* 3/2011 Bolt ..... D19/113  
D669,534 S \* 10/2012 Nakashima ..... D19/113  
D672,817 S \* 12/2012 Butmir ..... D19/113  
D705,356 S \* 5/2014 Kang ..... D19/113  
D709,554 S \* 7/2014 Kang ..... D19/113

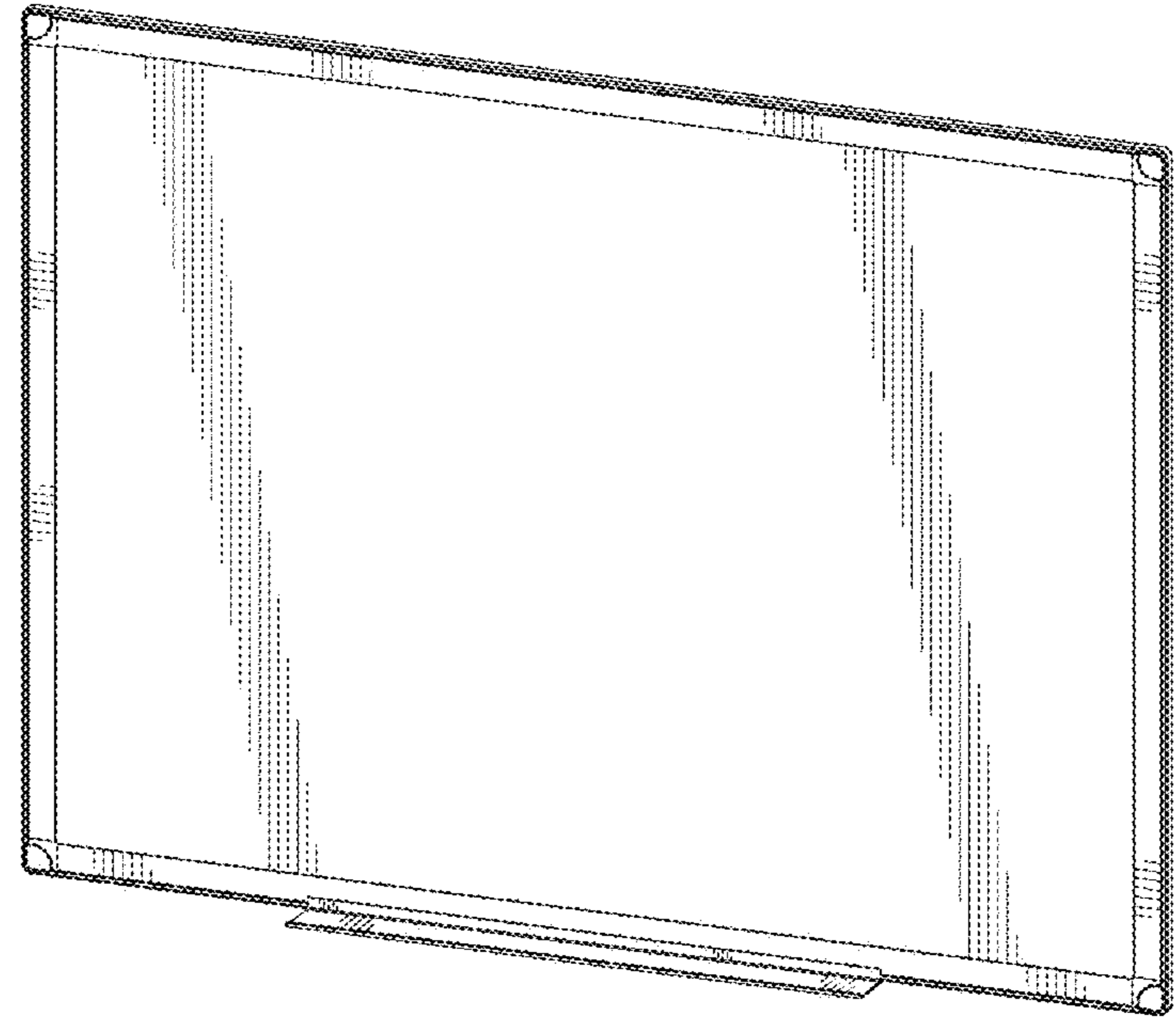
D755,292 S \* 5/2016 Sirolich ..... D19/113  
D762,772 S \* 8/2016 Tsuruoka ..... D19/113  
D773,422 S \* 12/2016 Han ..... D14/126  
D802,663 S \* 11/2017 Creasy ..... D19/114  
D807,312 S \* 1/2018 Jeong ..... D14/126  
D809,600 S \* 2/2018 Anderson ..... D19/113  
D831,111 S \* 10/2018 Kang ..... D19/113  
D832,918 S \* 11/2018 Kang ..... D19/113  
D836,720 S \* 12/2018 Kang ..... D19/113  
D852,274 S \* 6/2019 Lim ..... D20/39  
D853,487 S \* 7/2019 Costas ..... D19/113  
D853,488 S \* 7/2019 Costas ..... D19/113  
D872,800 S \* 1/2020 Kan ..... D19/113  
D877,247 S \* 3/2020 Costas ..... D19/113  
D877,248 S \* 3/2020 Costas ..... D19/113  
D881,892 S \* 4/2020 Mecchella ..... D14/434  
D894,276 S \* 8/2020 Knapp ..... D19/113  
D894,277 S \* 8/2020 Lee ..... D19/113  
2008/0151314 A1 \* 6/2008 Nishiie ..... H04N 1/1255 358/401

\* cited by examiner  
*Primary Examiner* — Khawaja Anwar

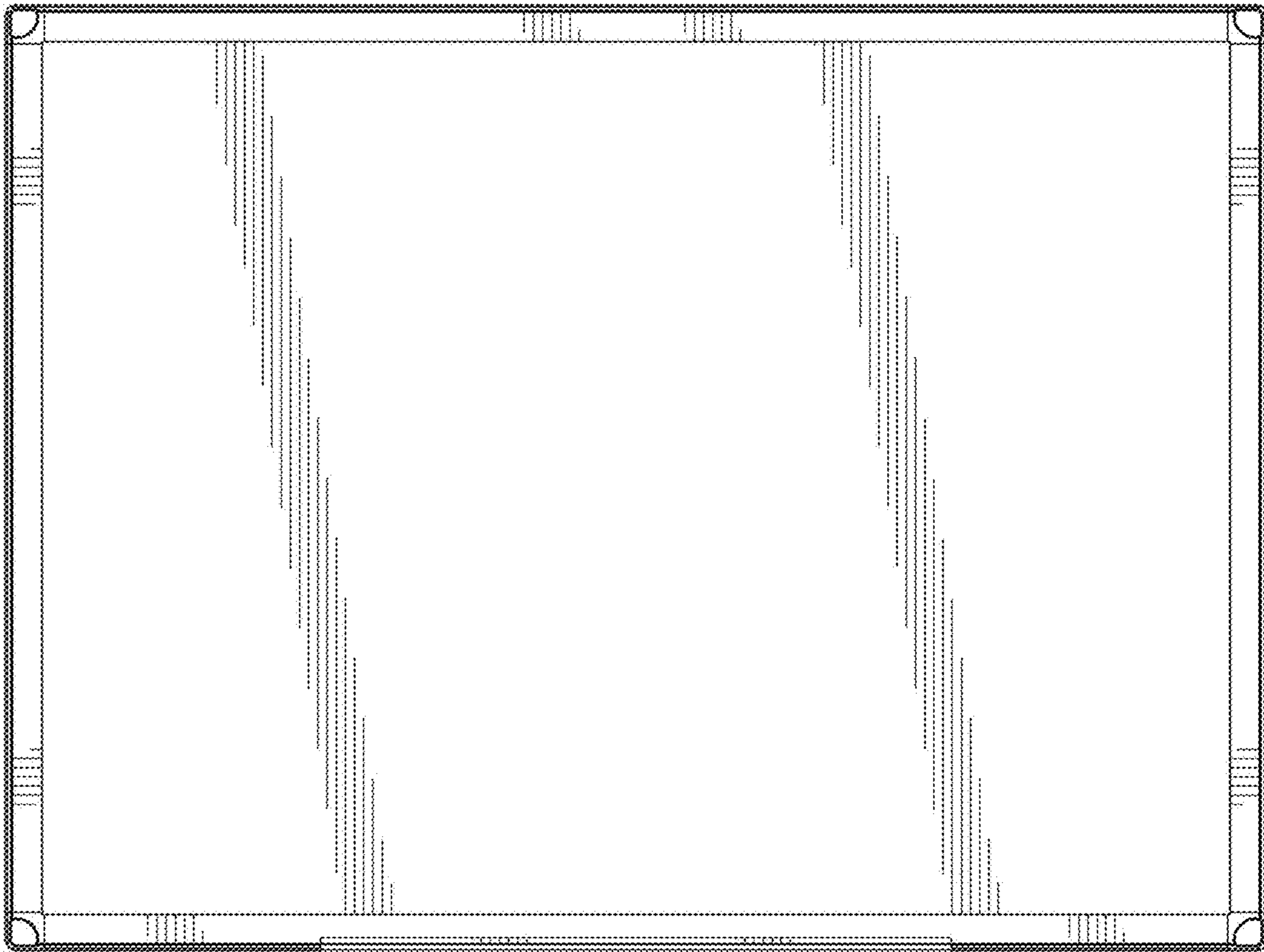
(57) **CLAIM**  
The ornamental design for whiteboard, as shown and described.

**DESCRIPTION**  
1. Whiteboard  
**1.1** : Front  
**1.2** : Back  
**1.3** : Top  
**1.4** : Bottom  
**1.5** : Lateral  
**1.6** : Perspective  
The characteristics of the designs whose protection is claimed include the shapes, configuration and ornamentation of a whiteboard.

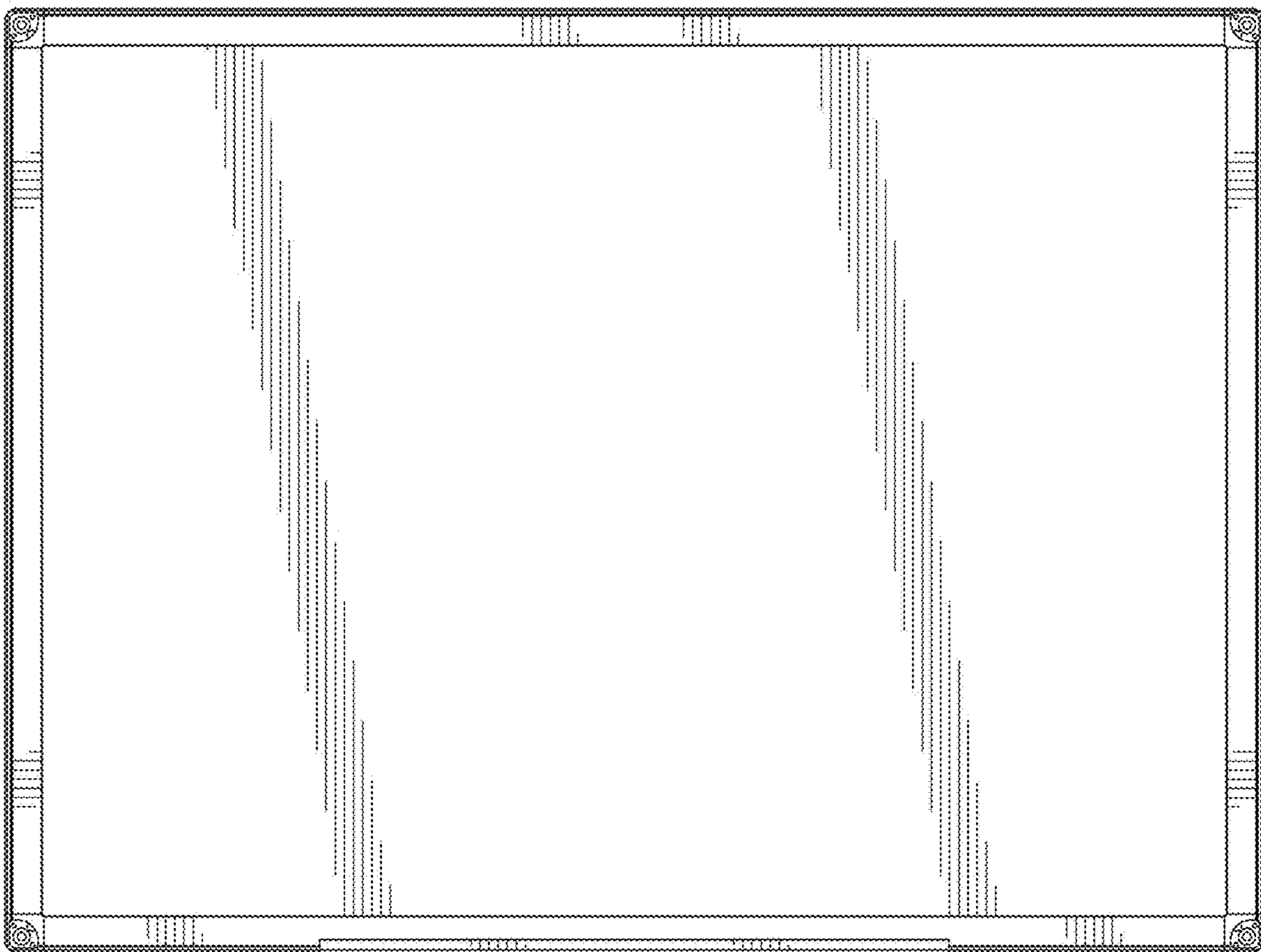
**1 Claim, 6 Drawing Sheets**



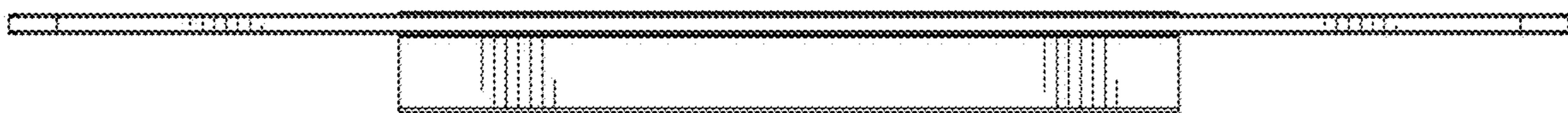
1.1



1.2



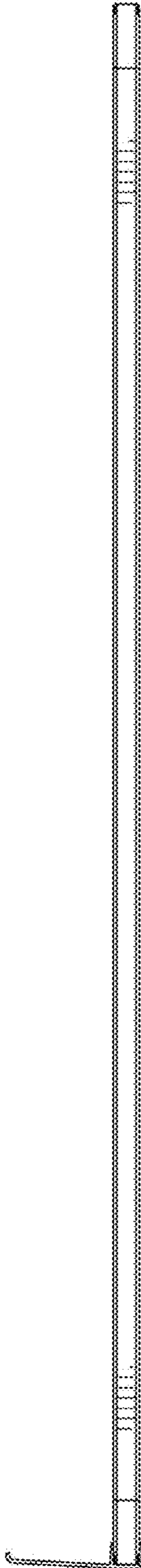
1.3



1.4



1.5



1.6

