



US00D911440S

(12) **United States Design Patent** (10) **Patent No.:** **US D911,440 S**
White et al. (45) **Date of Patent:** **** Feb. 23, 2021**

(54) **DISPENSER**
(71) Applicant: **3M INNOVATIVE PROPERTIES COMPANY**, St. Paul, MN (US)
(72) Inventors: **Aaron P. White**, Menomonie, WI (US); **Michelle M. Seywerd**, Woodbury, MN (US); **Traxton J. Turner**, Maplewood, MN (US)
(73) Assignee: **3M INNOVATIVE PROPERTIES COMPANY**, St. Paul, MN (US)

5,165,570 A * 11/1992 Windorski B42D 5/005
221/45
D332,284 S * 1/1993 Van Eijben D19/65
D332,889 S * 2/1993 Hines D6/515
D338,864 S * 8/1993 Morris D12/191
D379,830 S * 6/1997 Wasyluk 206/38.1
5,769,270 A * 6/1998 Fujisawa B42D 5/005
221/155
D456,849 S * 5/2002 Thompson D19/86
D460,117 S * 7/2002 Thompson D19/86
D491,606 S * 6/2004 Jour D19/86
(Continued)

(**) Term: **15 Years**
(21) Appl. No.: **29/687,332**
(22) Filed: **Apr. 12, 2019**
(51) **LOC (13) Cl.** **19-02**
(52) **U.S. Cl.**
USPC **D19/86**
(58) **Field of Classification Search**
USPC D19/75-80, 86-92; D3/304, 306, 312,
D3/313; D6/566, 568, 570, 675.2, 675.5;
D11/124, 125, 127, 134
CPC B42D 5/005; B42D 5/006; B43M 99/00;
B43M 99/001; B43M 99/006; B43M
99/008; B43M 99/009; A47B 63/00;
A47B 63/10; A47B 63/14; B42F 7/00;
A47F 7/142
See application file for complete search history.

(56) **References Cited**
U.S. PATENT DOCUMENTS
D183,449 S * 9/1958 Dillen D19/86
4,562,938 A * 1/1986 Loder B65D 83/0805
221/46
4,993,590 A * 2/1991 Windorski B42D 5/005
221/46
D322,632 S * 12/1991 Montgomery D19/65
5,161,712 A * 11/1992 Olson B65D 83/0894
206/494

OTHER PUBLICATIONS

“Pop-up Note Dispenser, Purple, with notes from the Electric Glow Collection”, 3M [on line], [retrieved from the internet Apr. 11, 2019], URL <https://www.3m.com/pr/3M/en_PR/company-pr/all-3m-products/~Post-it-Pop-up-Note-Dispenser-Purple-with-Notes-from-the-Electric-Glow-Collection/?N=5002385+3294630585&rt=rud>, 2 pages.

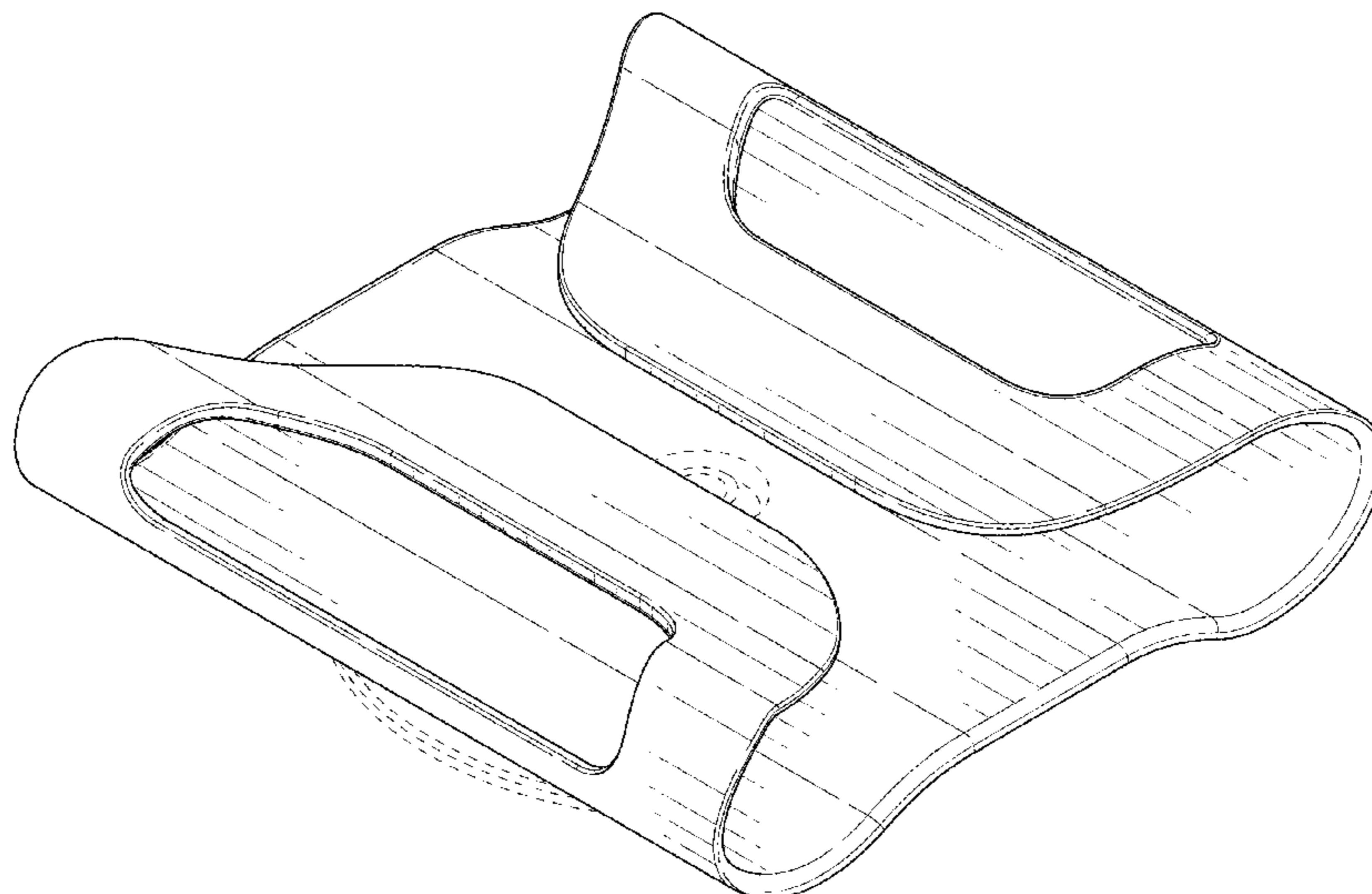
Primary Examiner — Elizabeth A. Albert
(74) *Attorney, Agent, or Firm* — 3M IPC

(57) **CLAIM**
The ornamental design for a dispenser, as shown and described.

DESCRIPTION

FIG. 1 is a perspective view showing the new design for a dispenser;
FIG. 2 is a front view thereof;
FIG. 3 is a rear view thereof;
FIG. 4 is a left side view thereof;
FIG. 5 is a right side view thereof;
FIG. 6 is a top view thereof;
FIG. 7 is a bottom view thereof; and,
FIG. 8 is a perspective view thereof with notes.
The portions of the dispenser in FIGS. 1-8 shown in broken lines are included to show features that form no part of the claimed design.

1 Claim, 5 Drawing Sheets



(56)

References Cited

U.S. PATENT DOCUMENTS

D502,740	S	*	3/2005	Stoddard	D19/86
D533,595	S	*	12/2006	Thompson	D19/86
D545,905	S	*	7/2007	Chen	D19/86
D548,794	S	*	8/2007	Jour	D19/86
D551,715	S	*	9/2007	Chen	D19/86
D556,262	S	*	11/2007	Nash	D19/86
D626,831	S	*	11/2010	Nicholas	D9/432
D672,176	S	*	12/2012	Morrow	D6/515
D688,747	S	*	8/2013	Clover	D19/86
D712,474	S	*	9/2014	Gingell	D19/86
D745,603	S		12/2015	Zhang		
D805,581	S	*	12/2017	Chang	D19/75
2008/0044612	A1	*	2/2008	Jour	B42D 5/005 428/42.1
2012/0132666	A1	*	5/2012	Hsu	B42D 5/005 221/34

* cited by examiner

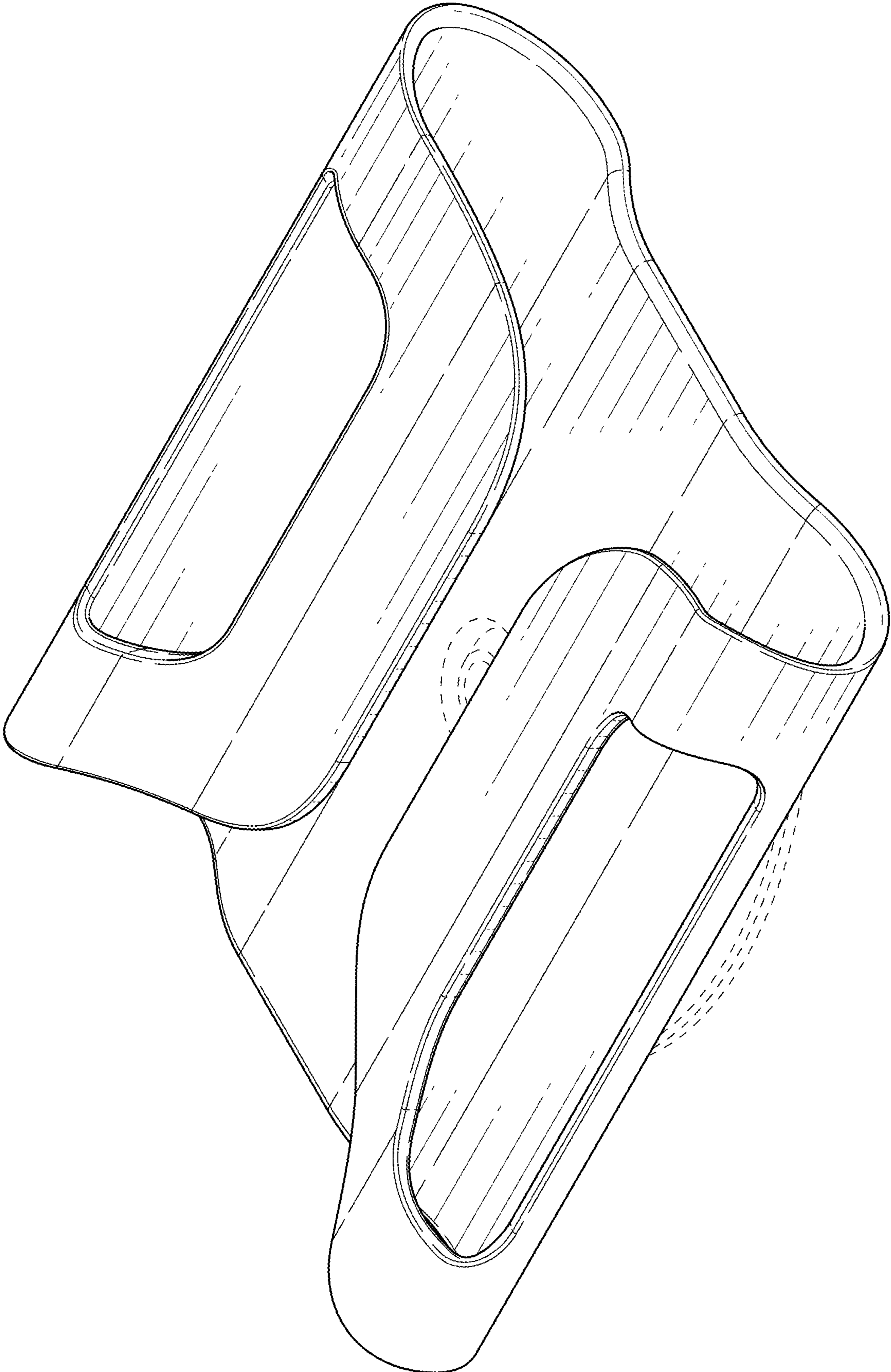


FIG. 1

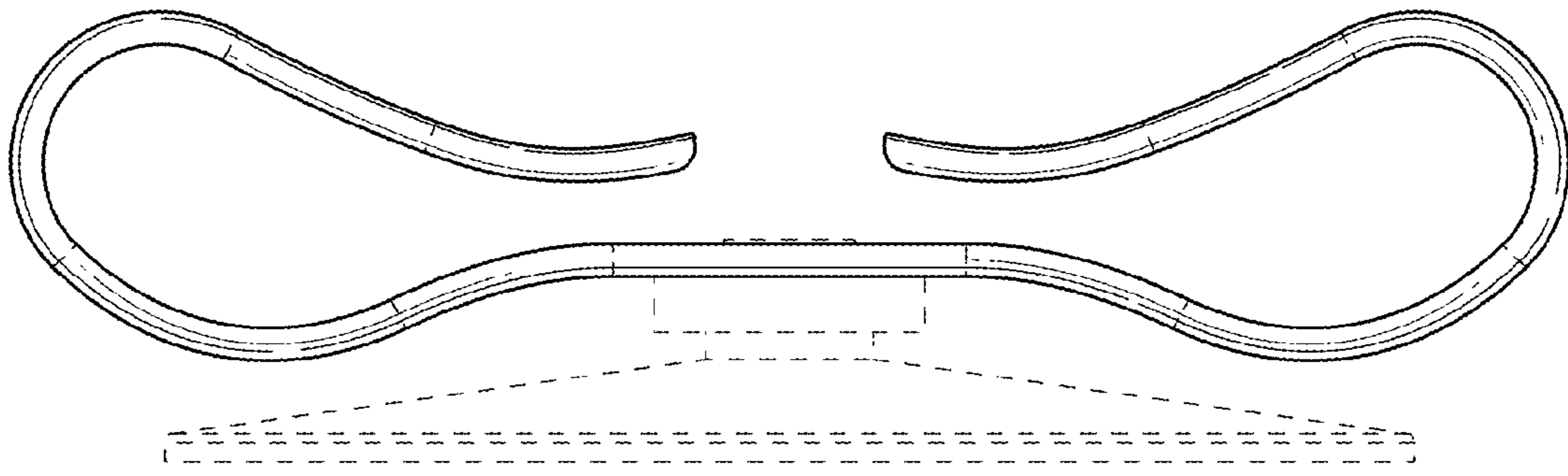


FIG. 2

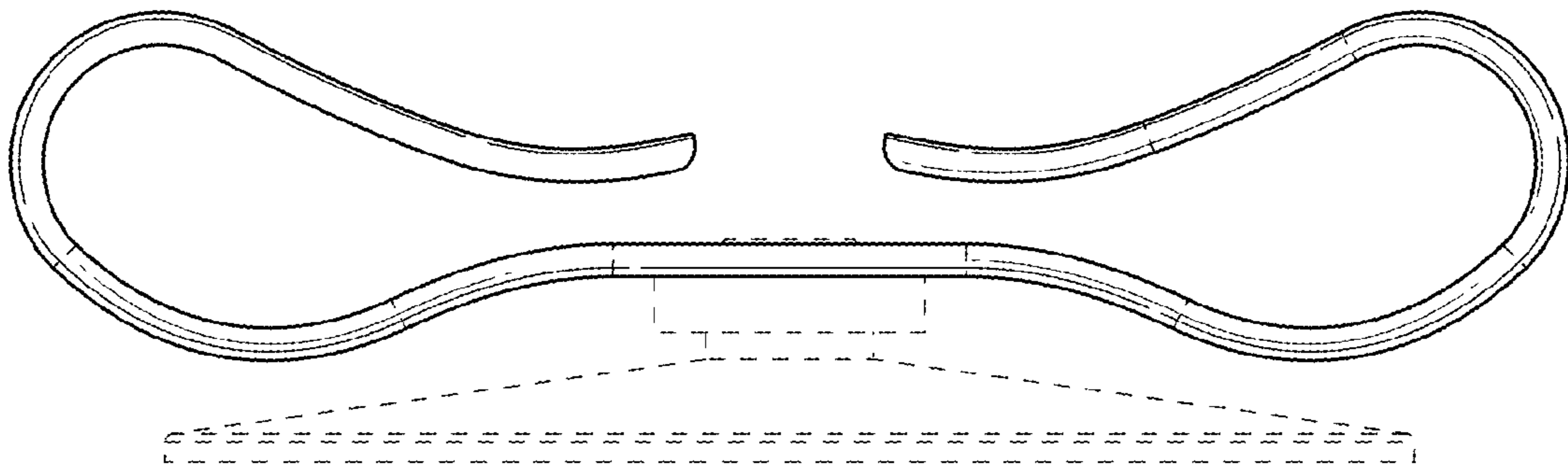


FIG. 3

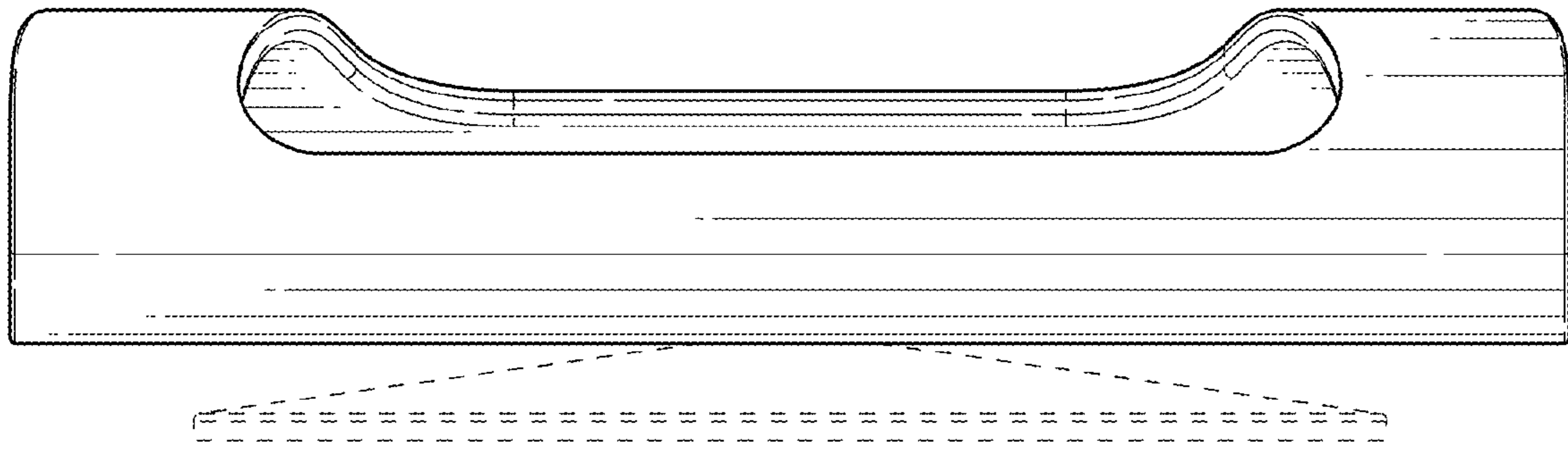


FIG. 4

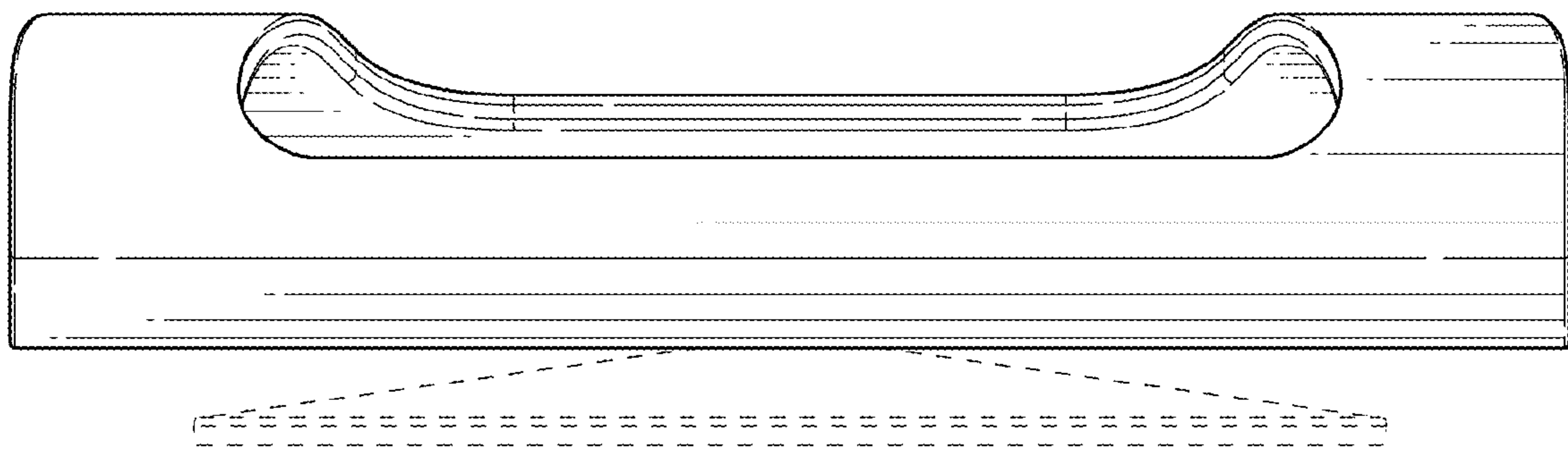


FIG. 5

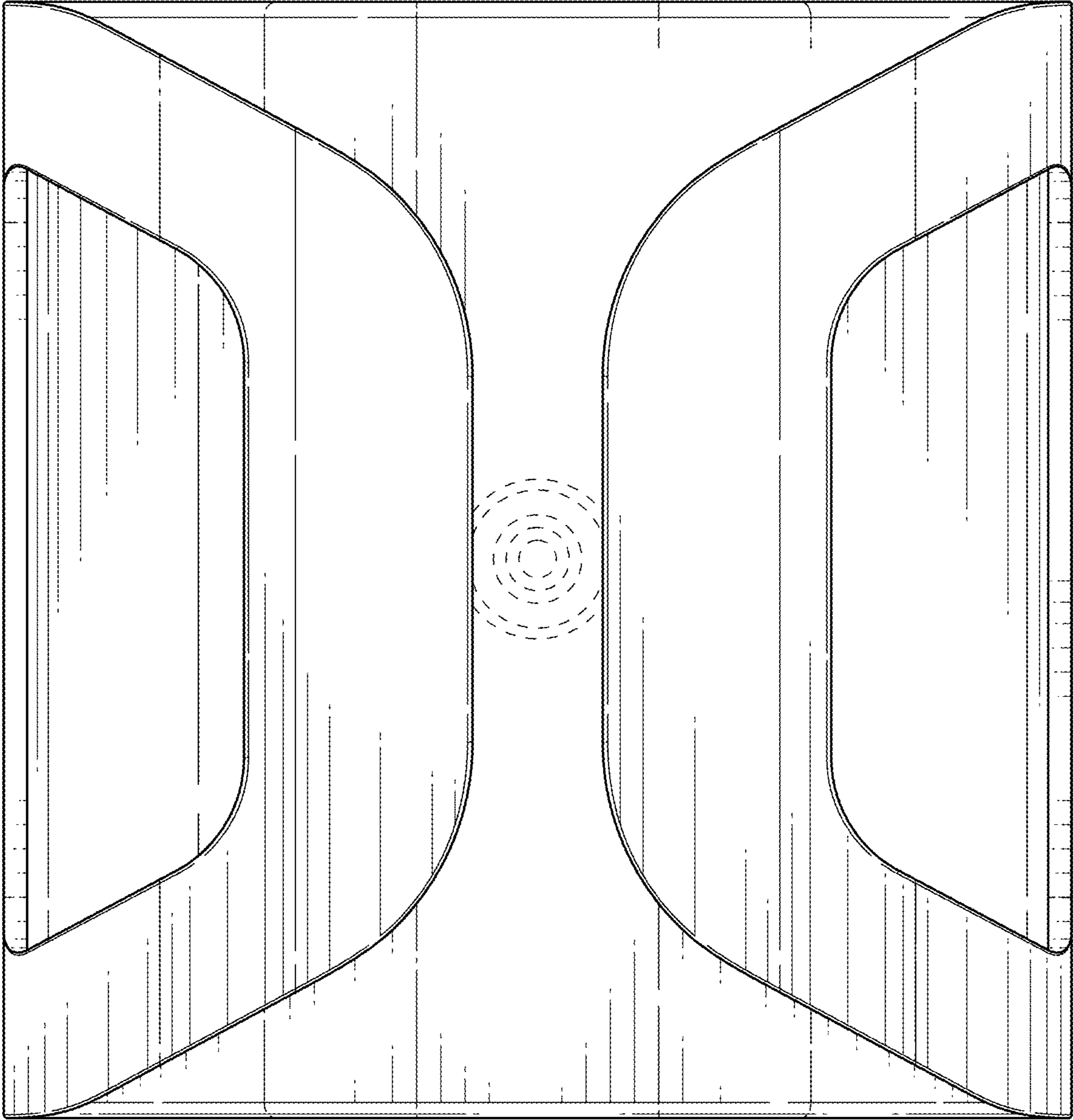


FIG. 6

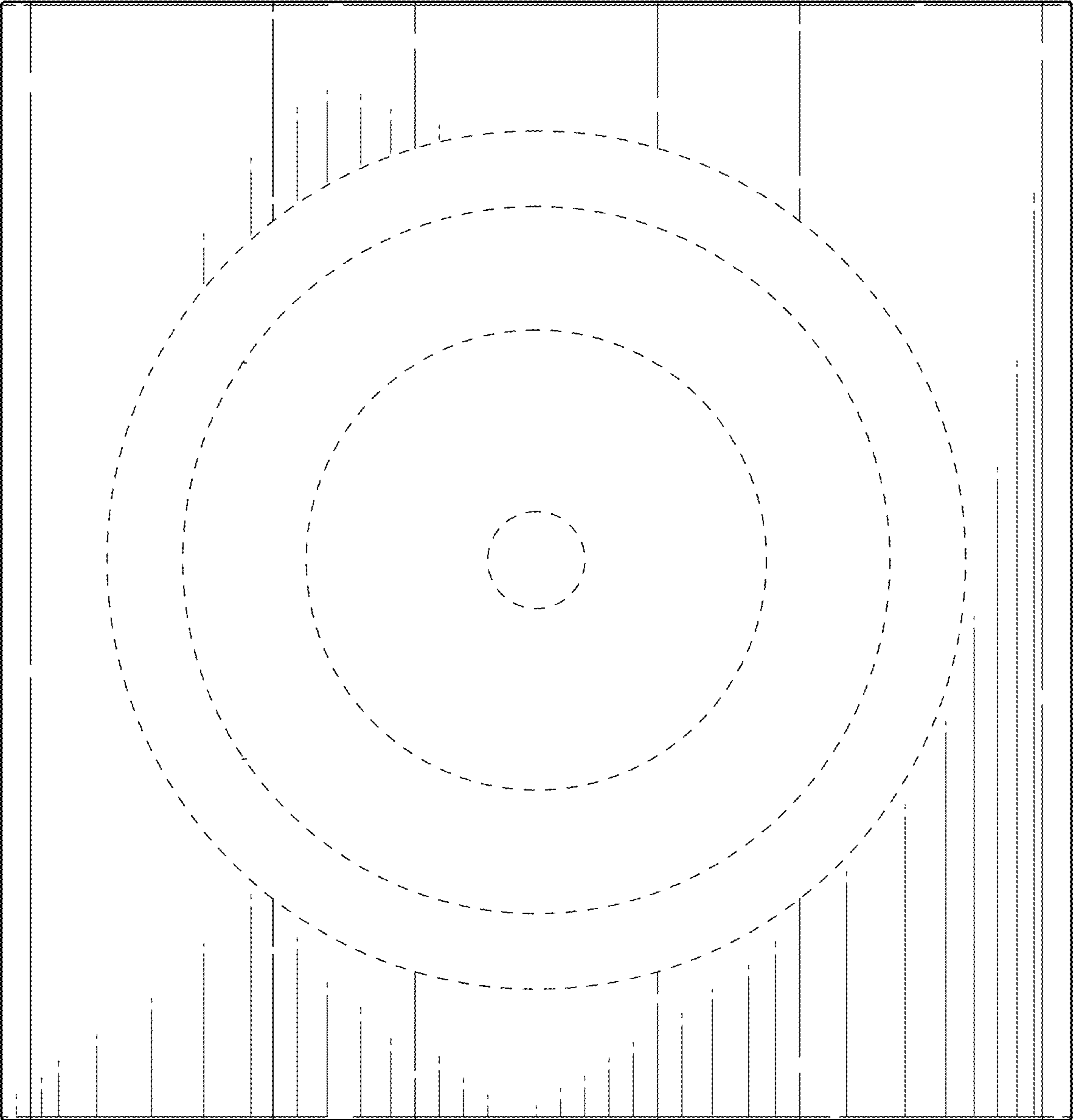


FIG. 7

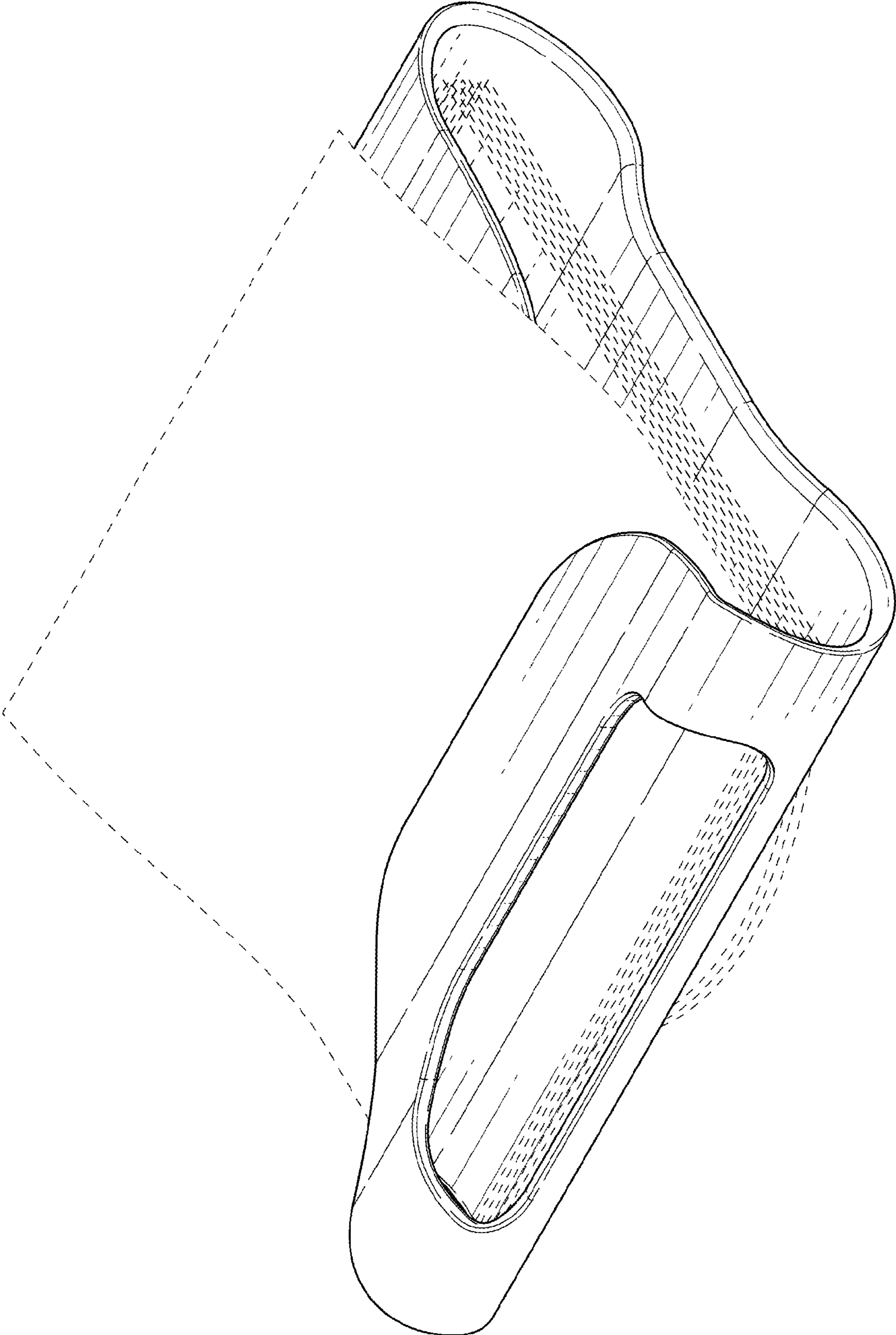


FIG. 8