



US00D911439S

(12) **United States Design Patent**
Liu

(10) **Patent No.:** **US D911,439 S**

(45) **Date of Patent:** **** Feb. 23, 2021**

(54) **PENCIL SHARPENER**

(71) Applicant: **Linkyo IP Holding 2, LLC**, Walnut, CA (US)

(72) Inventor: **Michael Liu**, Walnut, CA (US)

(73) Assignee: **LINKYO IP HOLDING 2, LLC**, Walnut, CA (US)

(**) Term: **15 Years**

(21) Appl. No.: **29/705,998**

(22) Filed: **Sep. 17, 2019**

(51) **LOC (13) Cl.** **19-06**

(52) **U.S. Cl.**
USPC **D19/73**

(58) **Field of Classification Search**
USPC D19/73, 74
CPC B43L 23/00; B43L 23/008; B43L 23/02;
B43L 23/06; B43L 23/08
See application file for complete search history.

(56) **References Cited**

U.S. PATENT DOCUMENTS

D117,901 S *	12/1939	Hoffmann	D19/73
D152,554 S *	2/1949	May	D19/74
2,822,781 A *	2/1958	Burton	B43L 23/02 144/28.5
2,900,958 A *	8/1959	Johnson	B43L 23/02 144/28.71
D197,319 S *	1/1964	Preble	D19/74
3,134,365 A *	5/1964	Hori	B43L 23/02 144/28.5
D211,297 S *	6/1968	La Zar et al.	D19/73
D215,379 S *	9/1969	Mizuno et al.	D19/73
3,556,182 A *	1/1971	Tanigami	B43L 23/02 144/28.5
D221,907 S *	9/1971	Kajiwara	D19/73
D222,188 S *	10/1971	Kajiwara	D19/73

D237,610 S *	11/1975	Macowski	D19/73
D298,840 S *	12/1988	Macowski	D19/73
D320,812 S *	10/1991	Yuen	D19/73
D354,987 S *	1/1995	Yuen	D19/73
D396,062 S *	7/1998	White	D19/65
D406,173 S *	2/1999	Chen	D19/65
6,427,343 B1 *	8/2002	Chang	B43L 23/00 144/28.5
D495,004 S *	8/2004	Yuen	D10/2
D500,798 S *	1/2005	Yuen	D10/2

(Continued)

OTHER PUBLICATIONS

LINKYO Electric Pencil Sharpener Pro (Heavy Duty, Black), by LINKYO, 186 ratings, Manufacturer Part No. LY-EPS-LDBK-EL1, ASIN: B081NZWTZX, online at Amazon.com, Date First Available: Nov. 18, 2019.*

Primary Examiner — Elizabeth A. Albert

(74) *Attorney, Agent, or Firm* — Blue Capital Law Firm, P.C.

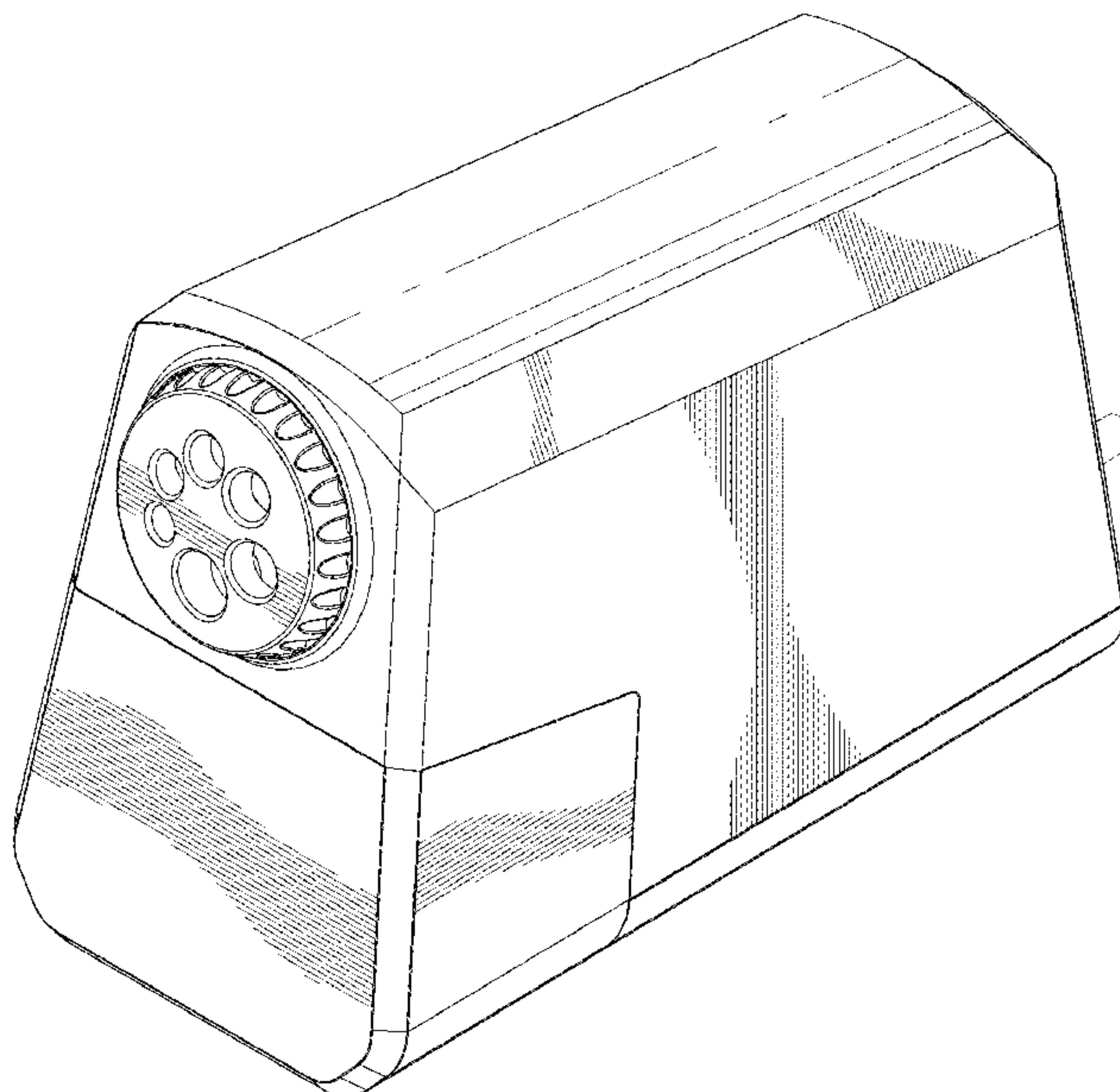
(57) **CLAIM**

The ornamental design for a pencil sharpener, as shown and described.

DESCRIPTION

FIG. 1 is a front perspective view of a pencil sharpener according to the present invention;
FIG. 2 is a rear perspective view of the pencil sharpener of FIG. 1;
FIG. 3 is a left side view of the pencil sharpener of FIG. 1;
FIG. 4 is a right side view of the pencil sharpener of FIG. 1;
FIG. 5 is a front view of the pencil sharpener of FIG. 1;
FIG. 6 is a rear view of the pencil sharpener of FIG. 1;
FIG. 7 is a top view of the pencil sharpener of FIG. 1; and,
FIG. 8 is a bottom view of the pencil sharpener of FIG. 1.

1 Claim, 7 Drawing Sheets



(56)

References Cited

U.S. PATENT DOCUMENTS

D512,461 S * 12/2005 Tsuruha D19/73
7,311,235 B2 * 12/2007 Aoki B25C 5/0228
227/131
D569,914 S * 5/2008 Kotani D19/73
D614,698 S * 4/2010 Magid D19/73
D642,215 S * 7/2011 Racamier D19/73
8,205,648 B2 * 6/2012 Hsu B43L 23/02
144/28.1
8,225,827 B2 * 7/2012 Dunlap B43L 23/02
144/28.6
D669,131 S * 10/2012 Dunlap D19/73
8,353,323 B2 * 1/2013 Schumacher B43L 23/02
144/28.1
D718,813 S * 12/2014 Cline D19/73
D718,814 S * 12/2014 Cline D19/73
D720,009 S * 12/2014 Cline D19/73
D755,289 S * 5/2016 Farnworth D19/73
9,352,608 B2 * 5/2016 Hsu B43L 23/00
9,475,336 B2 * 10/2016 Huang B43L 23/008
D785,705 S * 5/2017 Farnworth D19/73

* cited by examiner

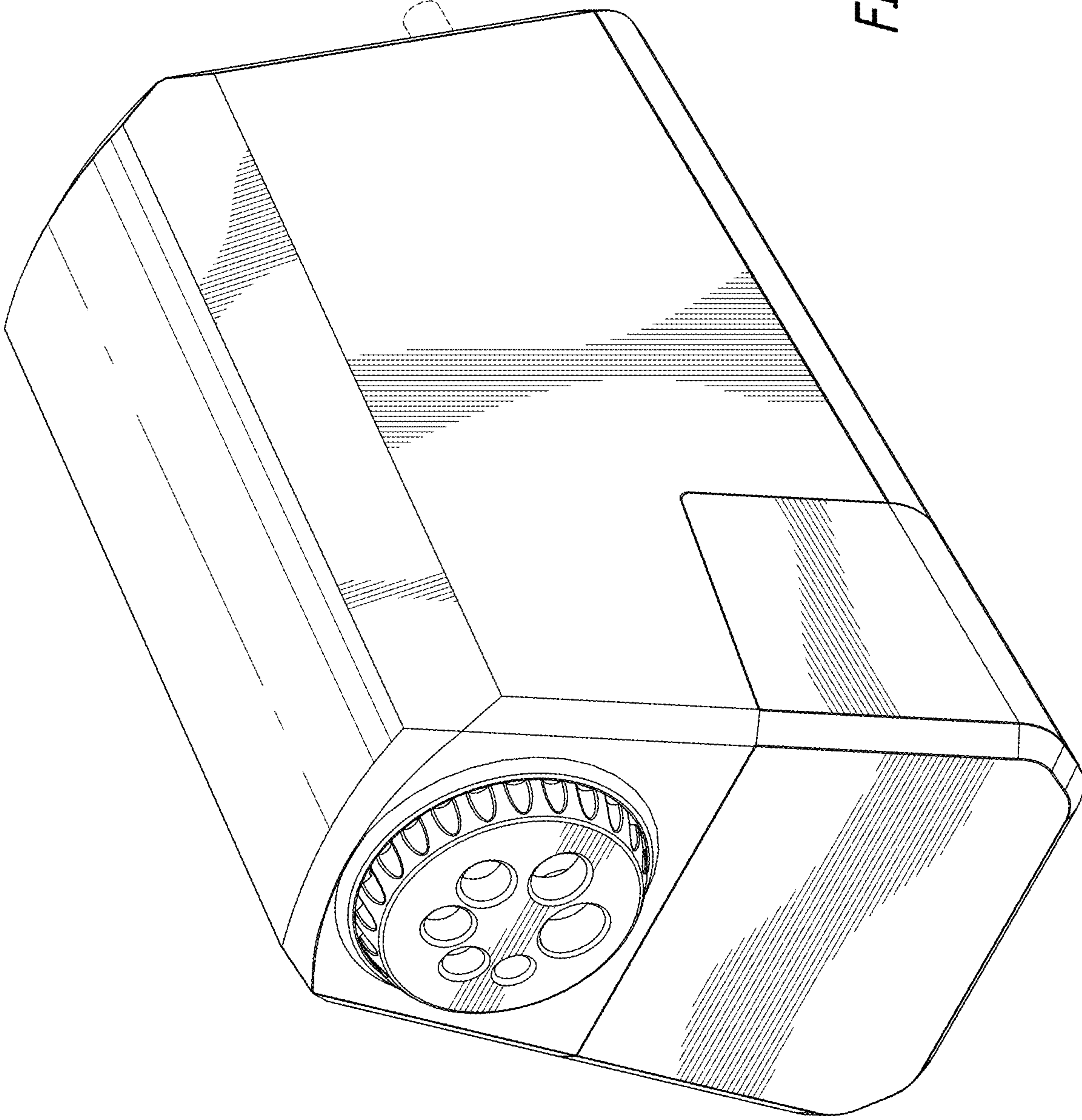


FIG. 1

FIG. 2

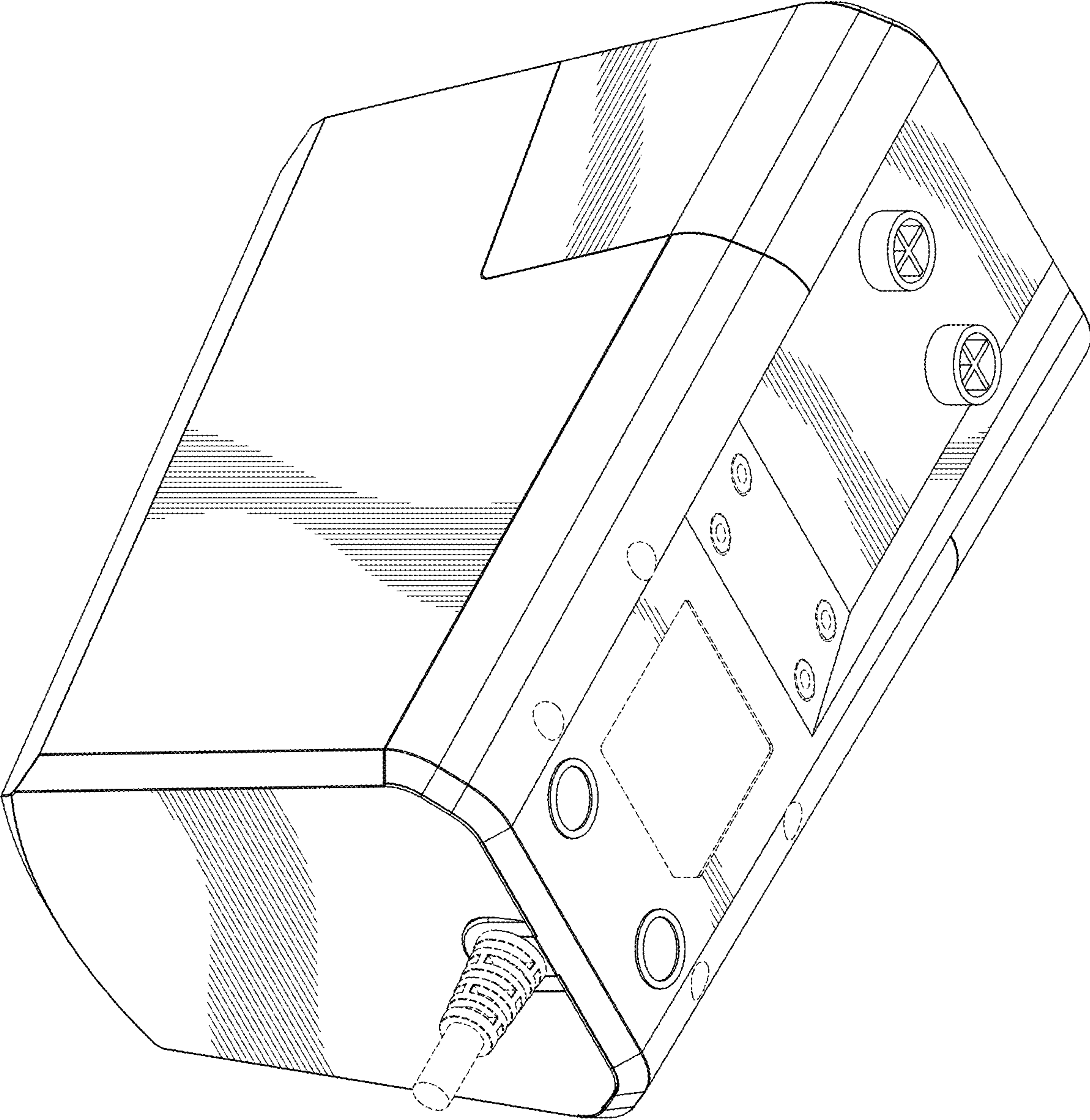


FIG. 3

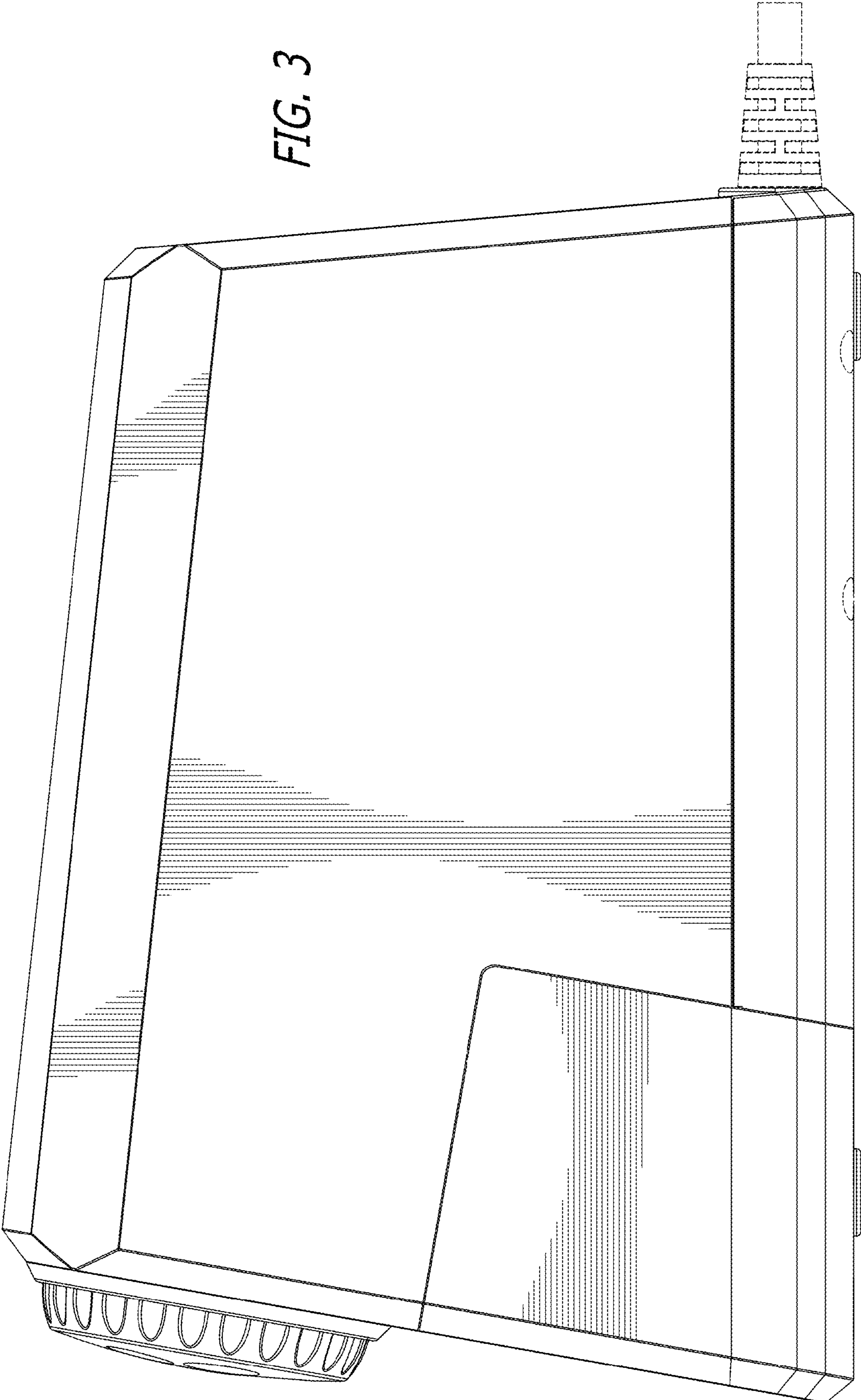




FIG. 4

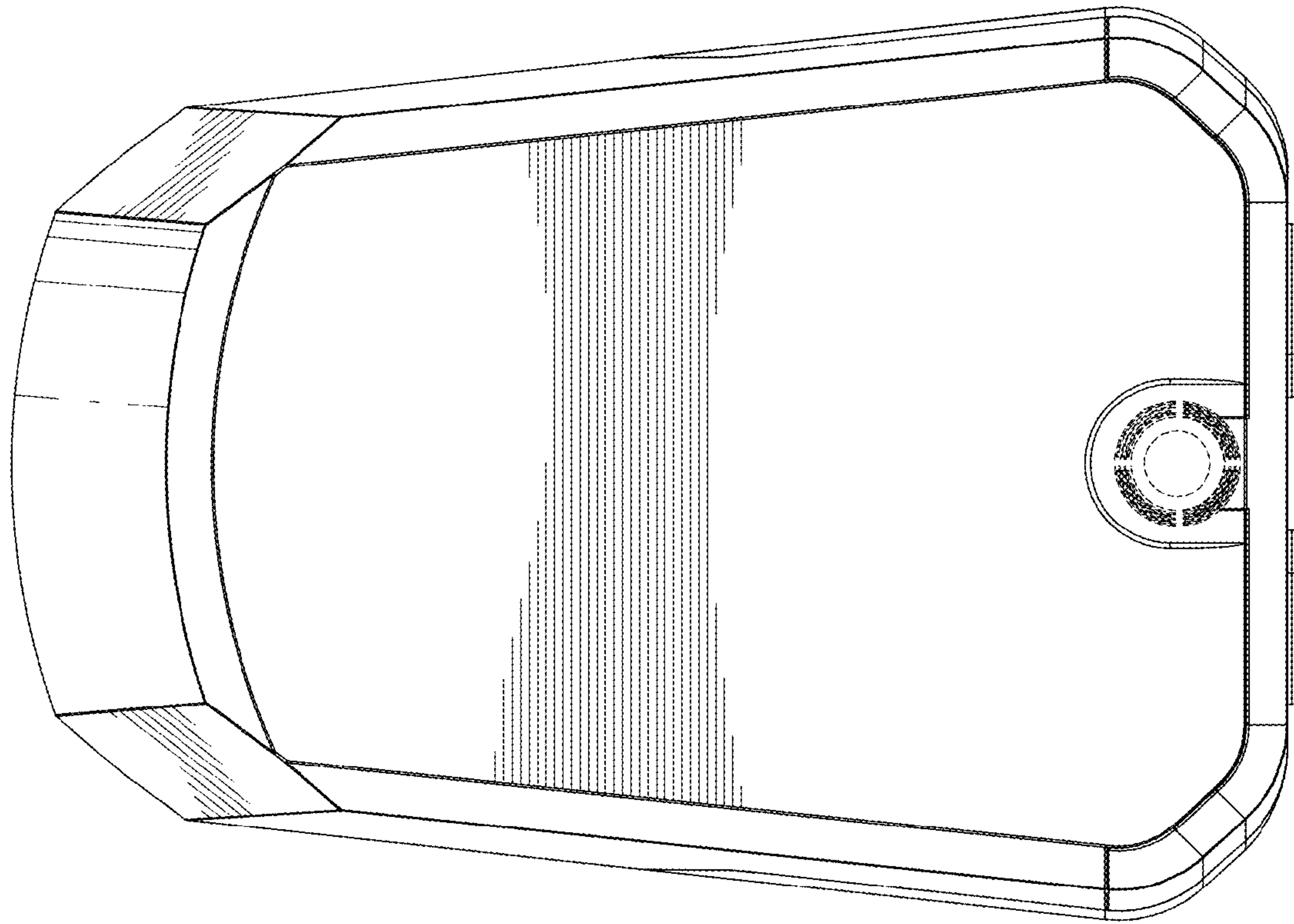


FIG. 6

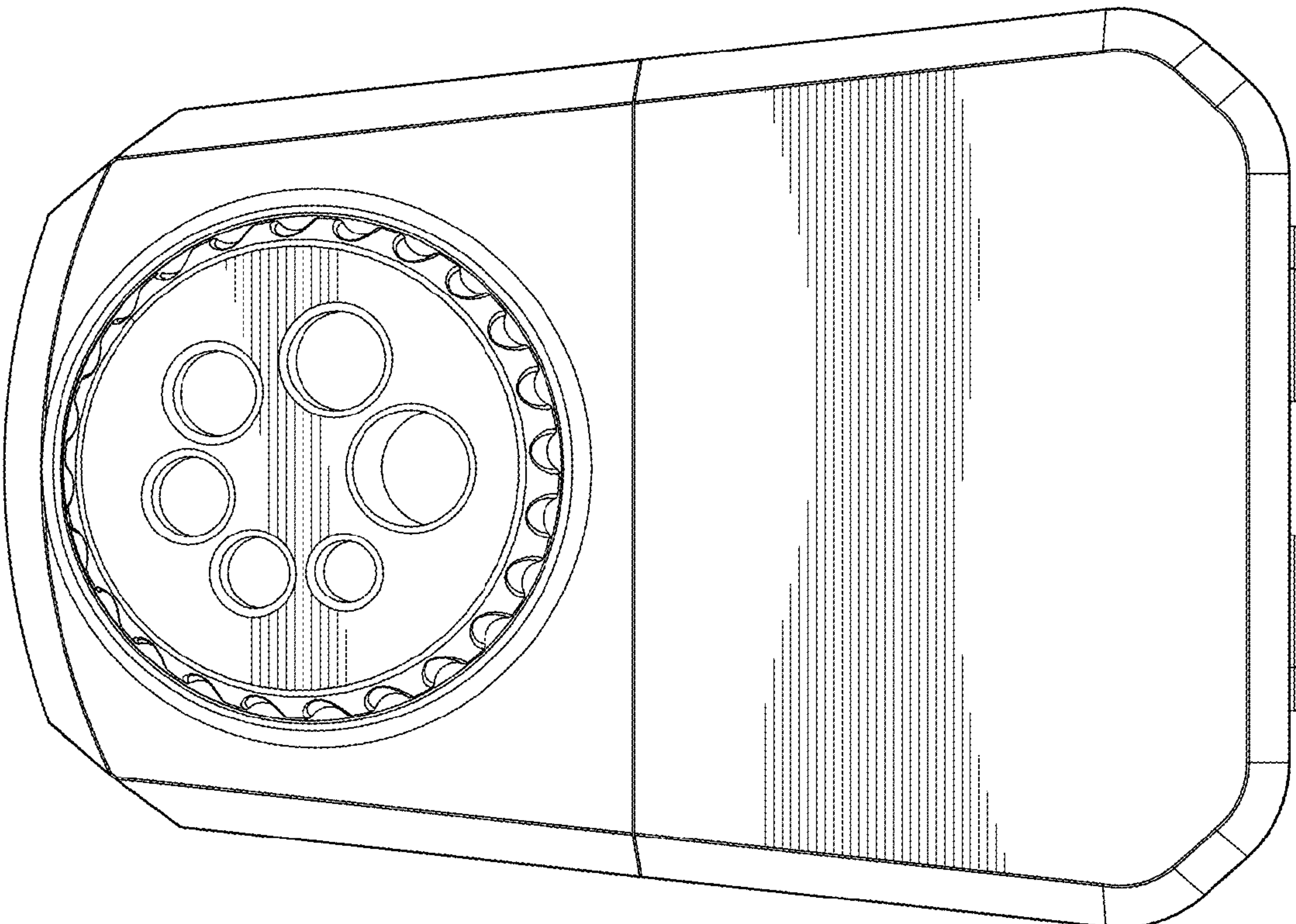


FIG. 5

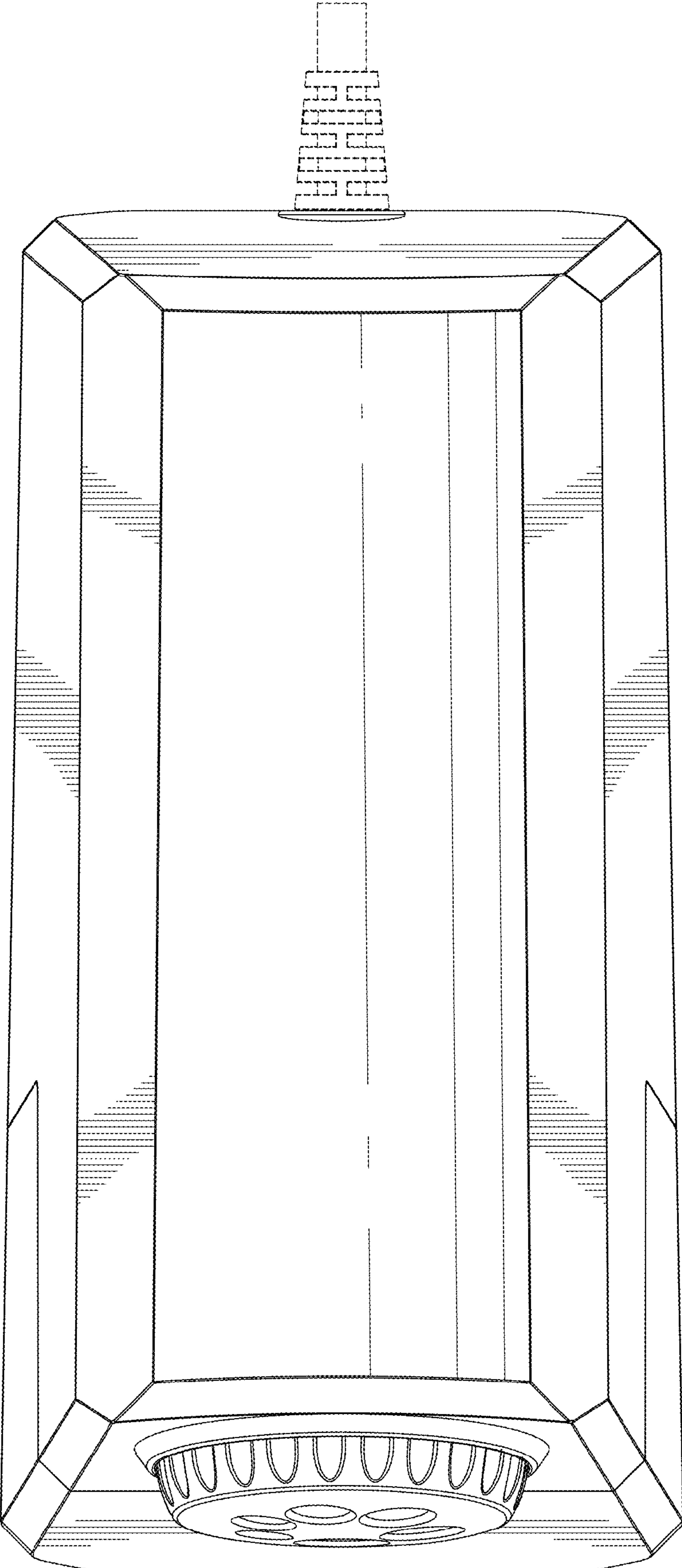


FIG. 7

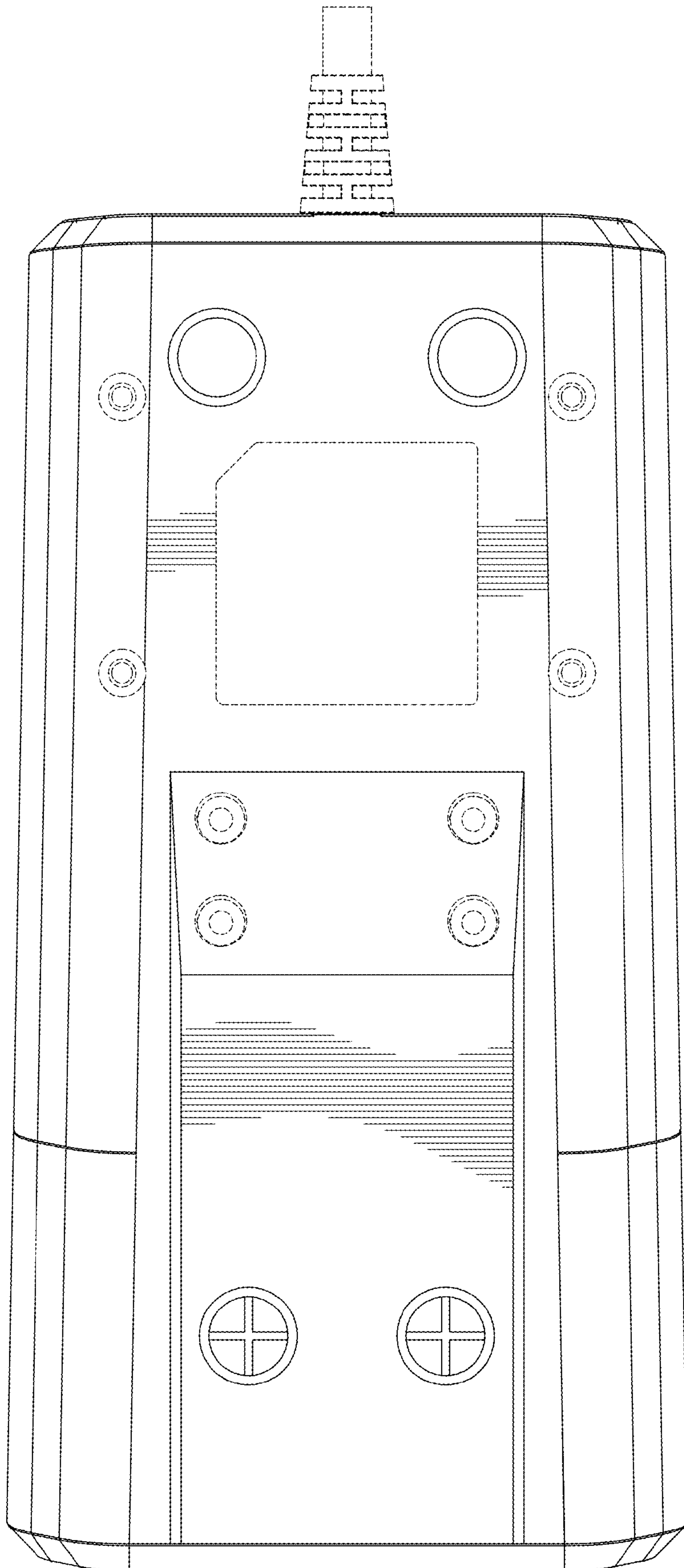


FIG. 8