



US00D911437S

(12) **United States Design Patent** (10) **Patent No.:** **US D911,437 S**  
**Ribeiro** (45) **Date of Patent:** **\*\* Feb. 23, 2021**

(54) **BOOKLET**  
(71) Applicant: **Magikbee, Lda**, Braga (PT)  
(72) Inventor: **Hugo Filipe Mendes Pereira Ribeiro**,  
Braga (PT)  
(73) Assignee: **Magikbee, Lda**, Braga (PT)  
(\*\*) Term: **15 Years**

D544,538 S \* 6/2007 Kesselring ..... D19/27  
D583,863 S \* 12/2008 Savoy ..... D19/26  
D599,850 S \* 9/2009 Savoy ..... D19/26  
D599,851 S \* 9/2009 Savoy ..... D19/26  
D604,360 S \* 11/2009 Savoy ..... D19/26  
D618,277 S \* 6/2010 Baker ..... D19/27  
7,934,884 B2 \* 5/2011 Lockhart ..... B42F 13/0006  
402/70  
8,591,135 B2 \* 11/2013 Baker ..... B42F 7/06  
402/4

(Continued)

(21) Appl. No.: **35/507,409**  
(22) Filed: **May 2, 2019**

(80) **Hague Agreement Data**

Int. Filing Date: **May 2, 2019**  
Int. Reg. No.: **DM/202546**  
Int. Reg. Date: **May 2, 2019**  
Int. Reg. Pub. Date: **Sep. 6, 2019**

(51) **LOC (13) Cl.** ..... **19-04**

(52) **U.S. Cl.**  
USPC ..... **D19/26**

(58) **Field of Classification Search**  
USPC ..... D3/301, 303; D6/407, 626, 632;  
D9/499, 422, 423; D19/26, 27, 30, 31,  
D19/90  
CPC .. B42F 3/00; B42F 13/00; B42F 13/12; B42F  
13/40  
See application file for complete search history.

(56) **References Cited**

**U.S. PATENT DOCUMENTS**

4,815,766 A \* 3/1989 Buchanan ..... B42D 1/003  
281/15.1  
D344,096 S \* 2/1994 Tan ..... D19/26  
D384,972 S \* 10/1997 French ..... D19/32  
D396,489 S \* 7/1998 Siemon ..... D19/26  
D476,032 S \* 6/2003 Marchand ..... D19/26  
D487,481 S \* 3/2004 Harris ..... D19/26  
D544,030 S \* 6/2007 LaDue ..... D19/27  
D544,031 S \* 6/2007 McCormack ..... D19/27

**OTHER PUBLICATIONS**

Youtube. How to make a mini modular origami book DIY paper book mini diary. May 26, 2016. <https://www.youtube.com/watch?v=Nyo-6P4EO6o> (Year: 2016).\*

(Continued)

*Primary Examiner* — Darcey E Gottschalk  
(74) *Attorney, Agent, or Firm* — Leason Ellis LLP

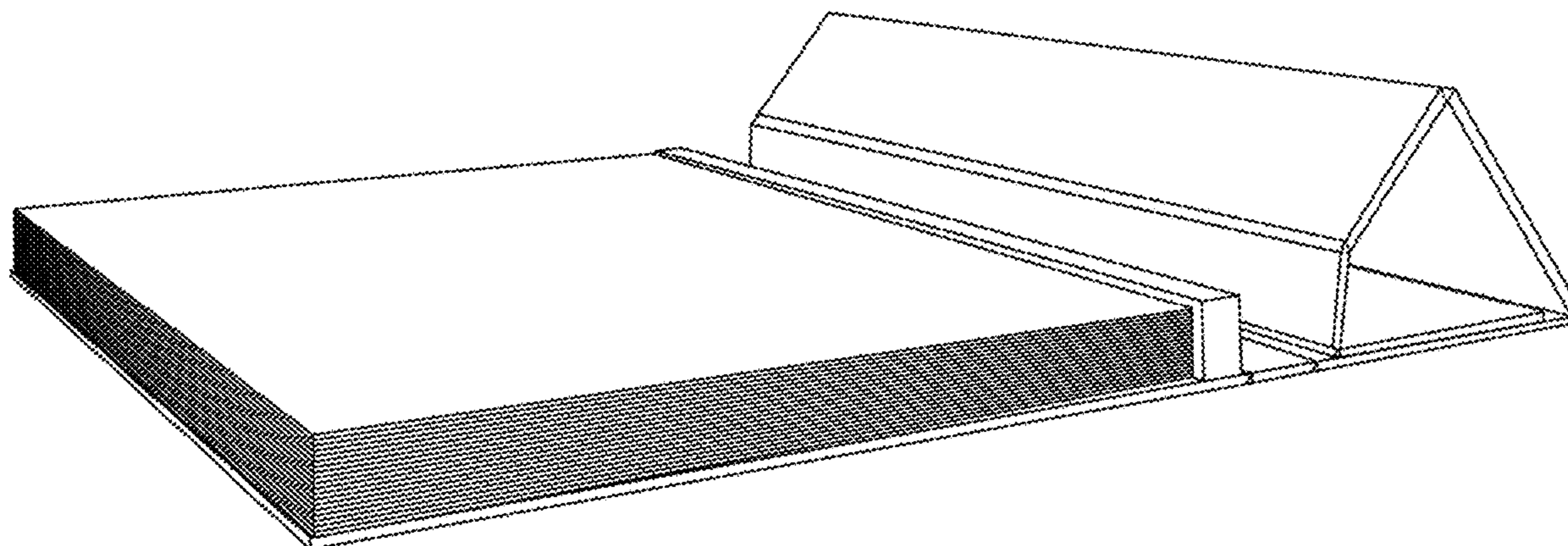
(57) **CLAIM**

The ornamental design for a booklet, as shown and described.

**DESCRIPTION**

- 1. Booklet
- 1.1 : Perspective
- 1.2 : Front
- 1.3 : Back
- 1.4 : Top
- 1.5 : Bottom
- 1.6 : Left
- 1.7 : Right
- 1.8 : Unfolded
- 1.9 : Unfolded
- 1.10 : Unfolded
- 1.11 : Unfolded
- 1.12 : Unfolded
- 1.13 : Unfolded

**1 Claim, 13 Drawing Sheets**



(56)

**References Cited**

U.S. PATENT DOCUMENTS

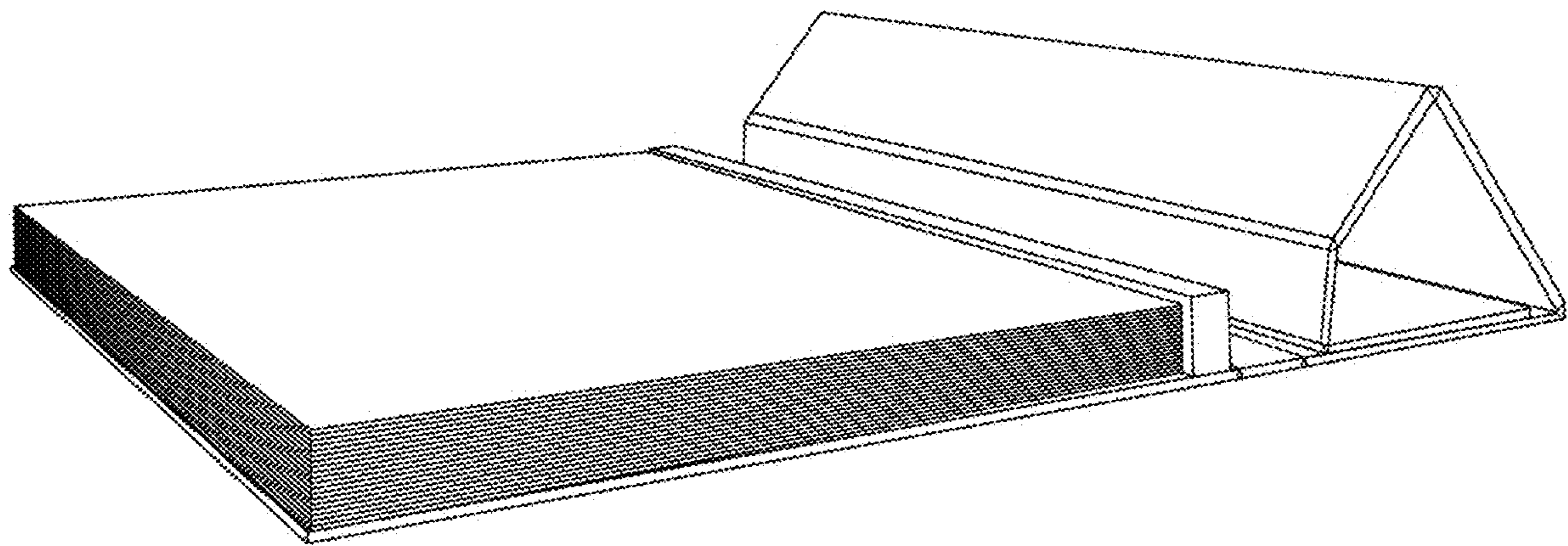
D734,817 S \* 7/2015 Ben-Or ..... D19/26  
2003/0209903 A1 \* 11/2003 Morris ..... B42F 7/04  
283/42

OTHER PUBLICATIONS

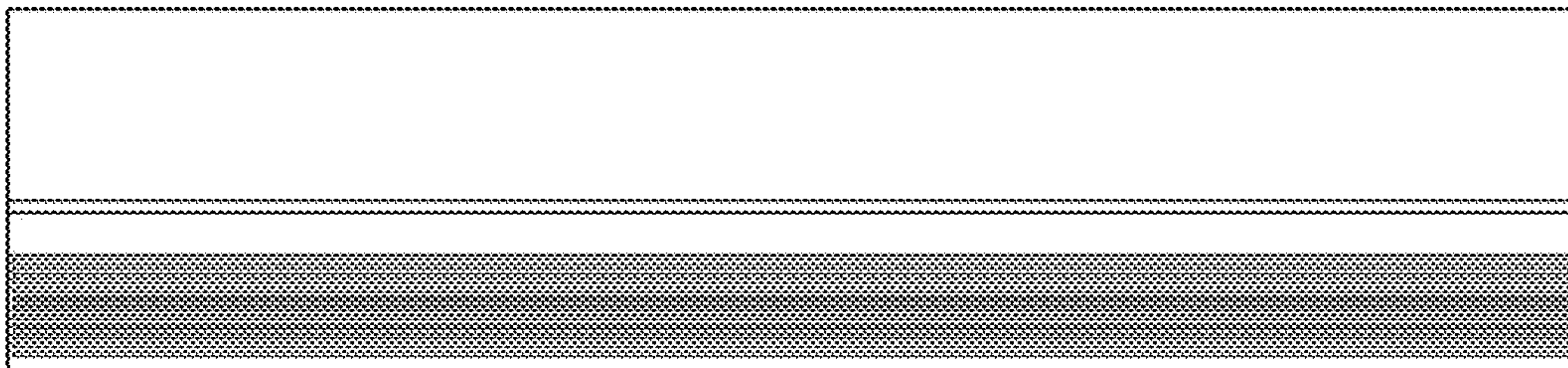
Youtube. KZ Academy Create video lessons with youtube videos.  
Mar. 26, 2019. <https://www.youtube.com/watch?v=fHpJpGsMQpY>  
(Year: 2019).\*

\* cited by examiner

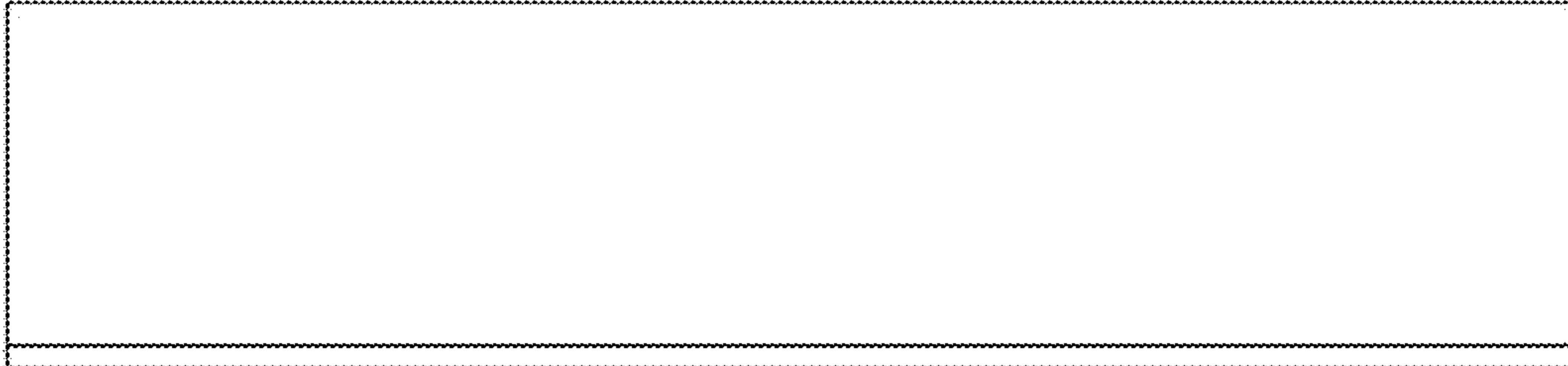
1.1



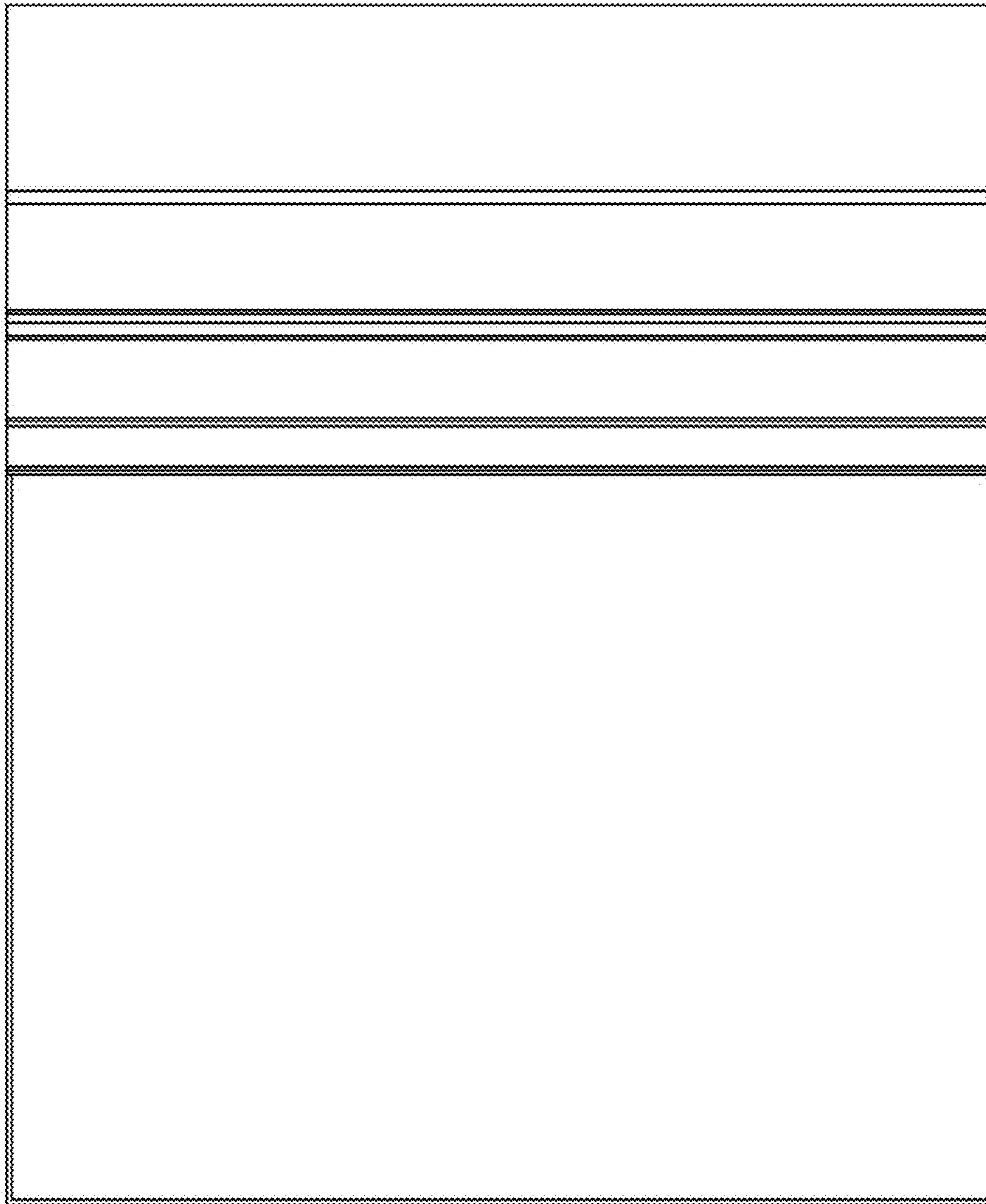
1.2



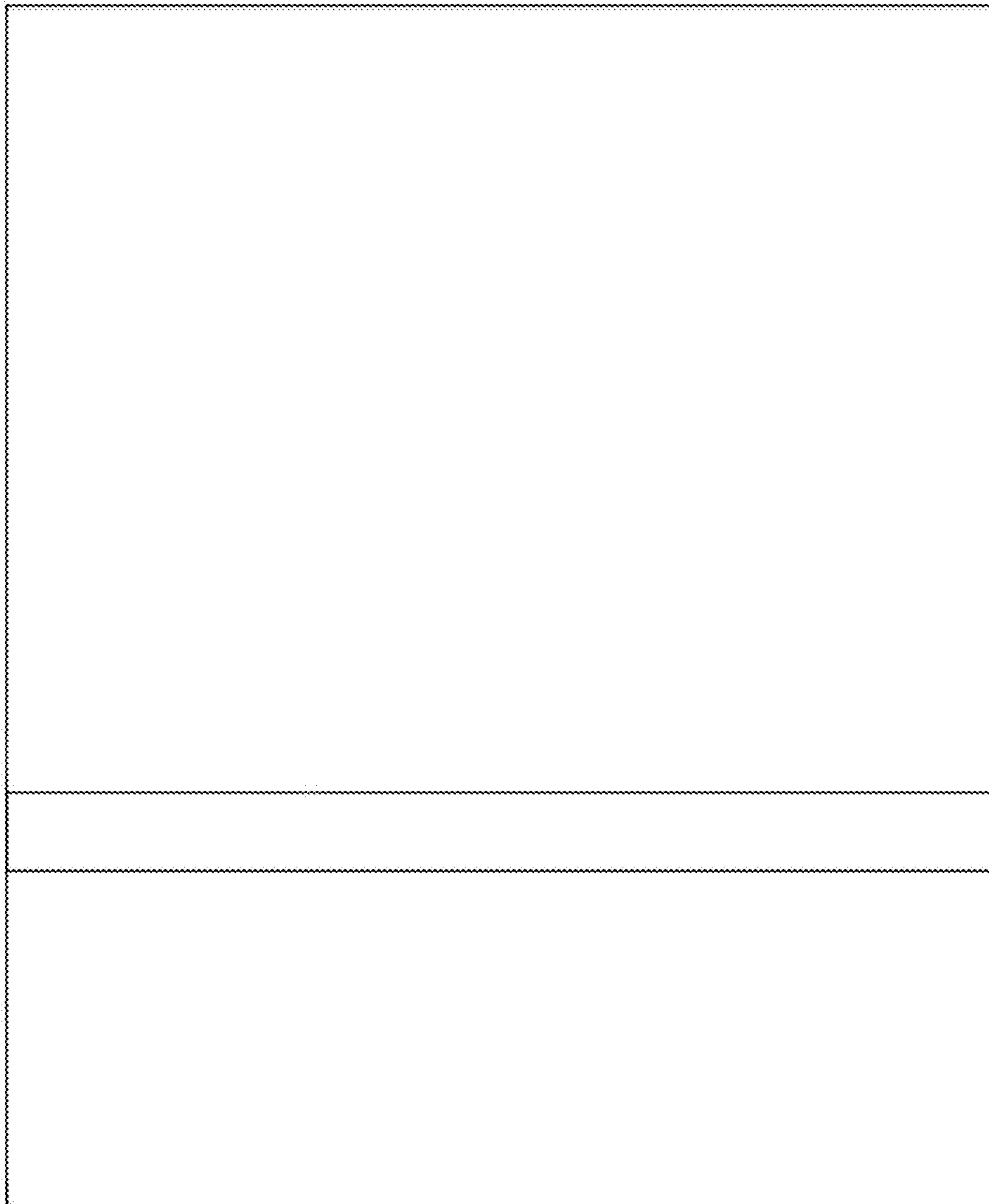
**1.3**



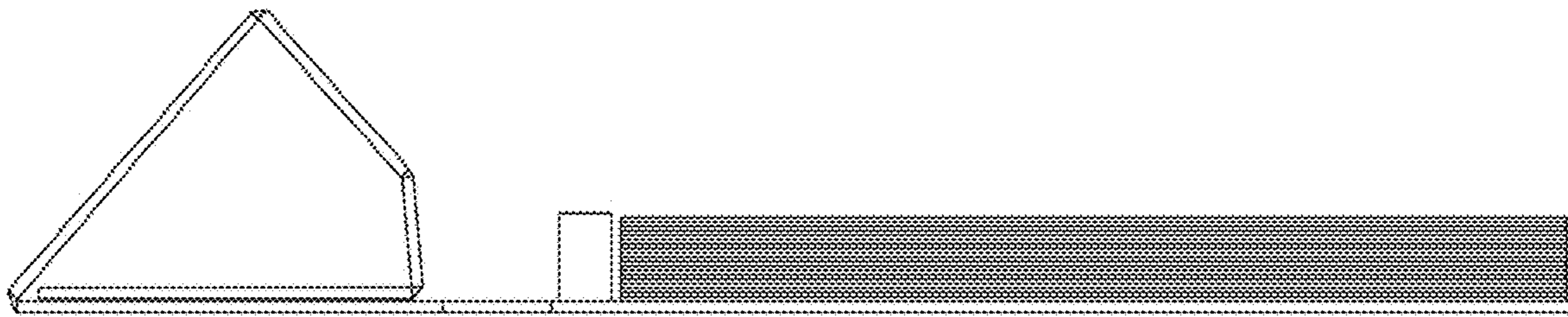
1.4



**1.5**

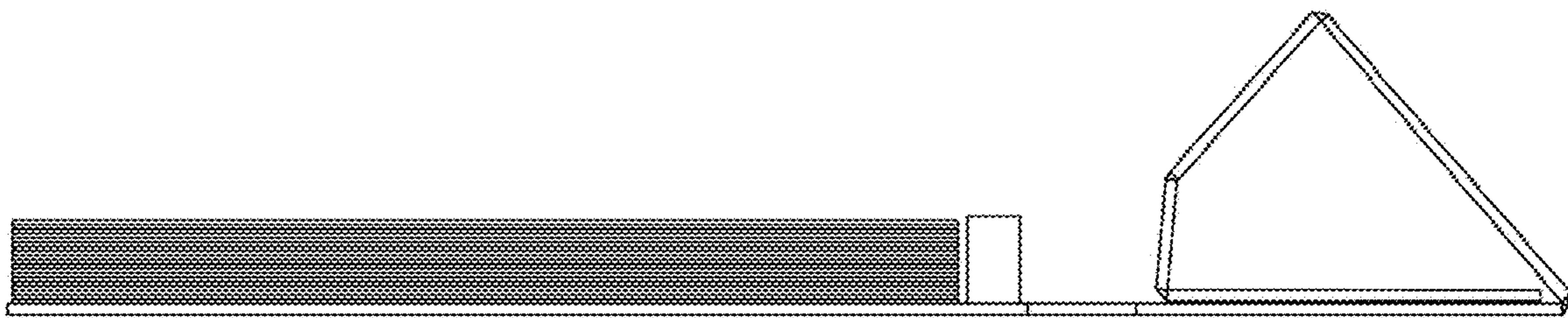


1.6

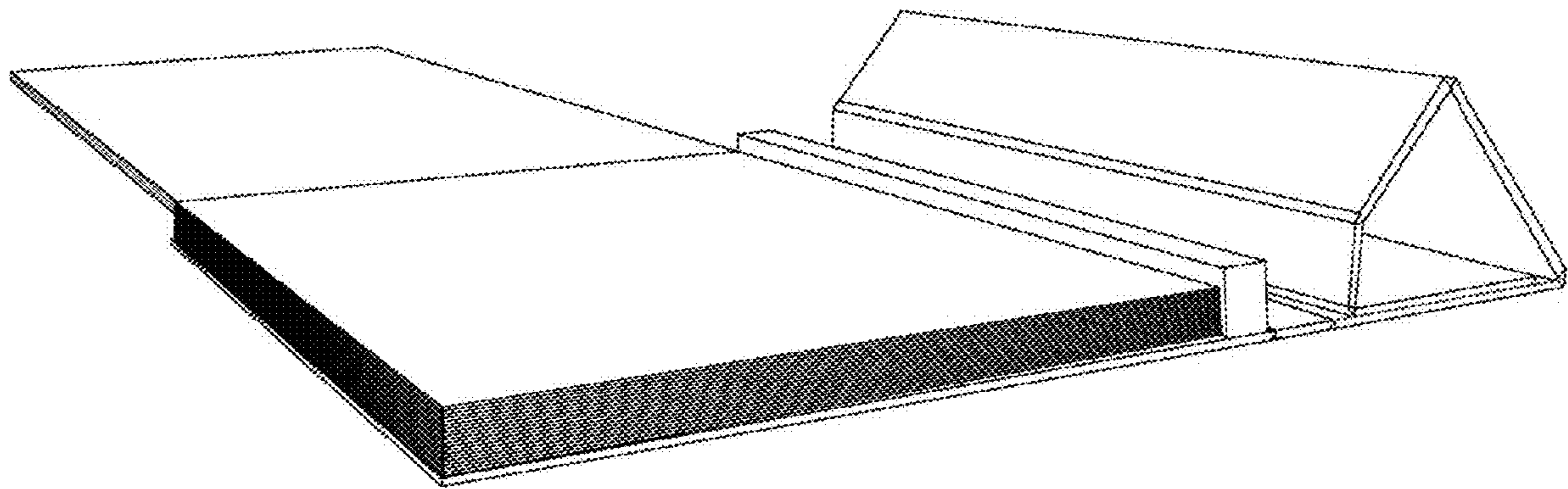




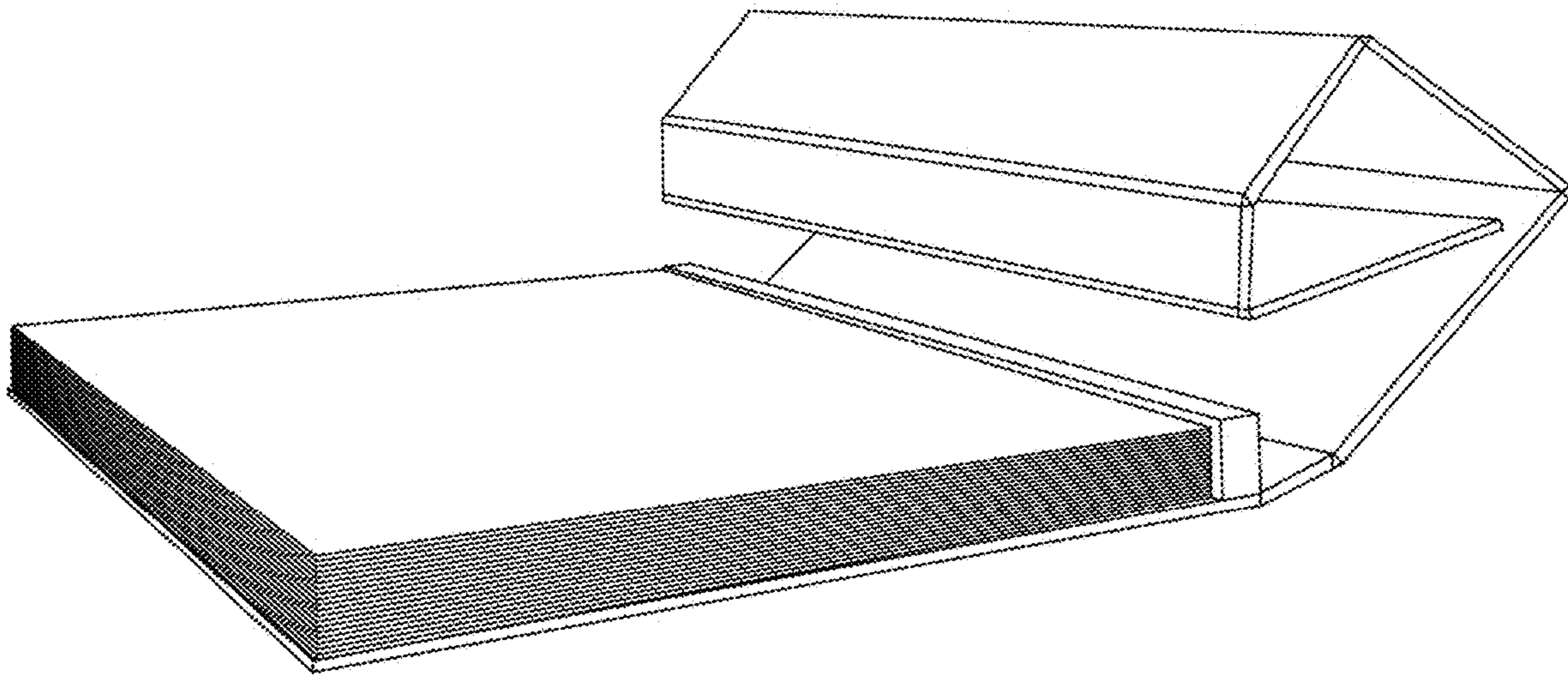
1.7



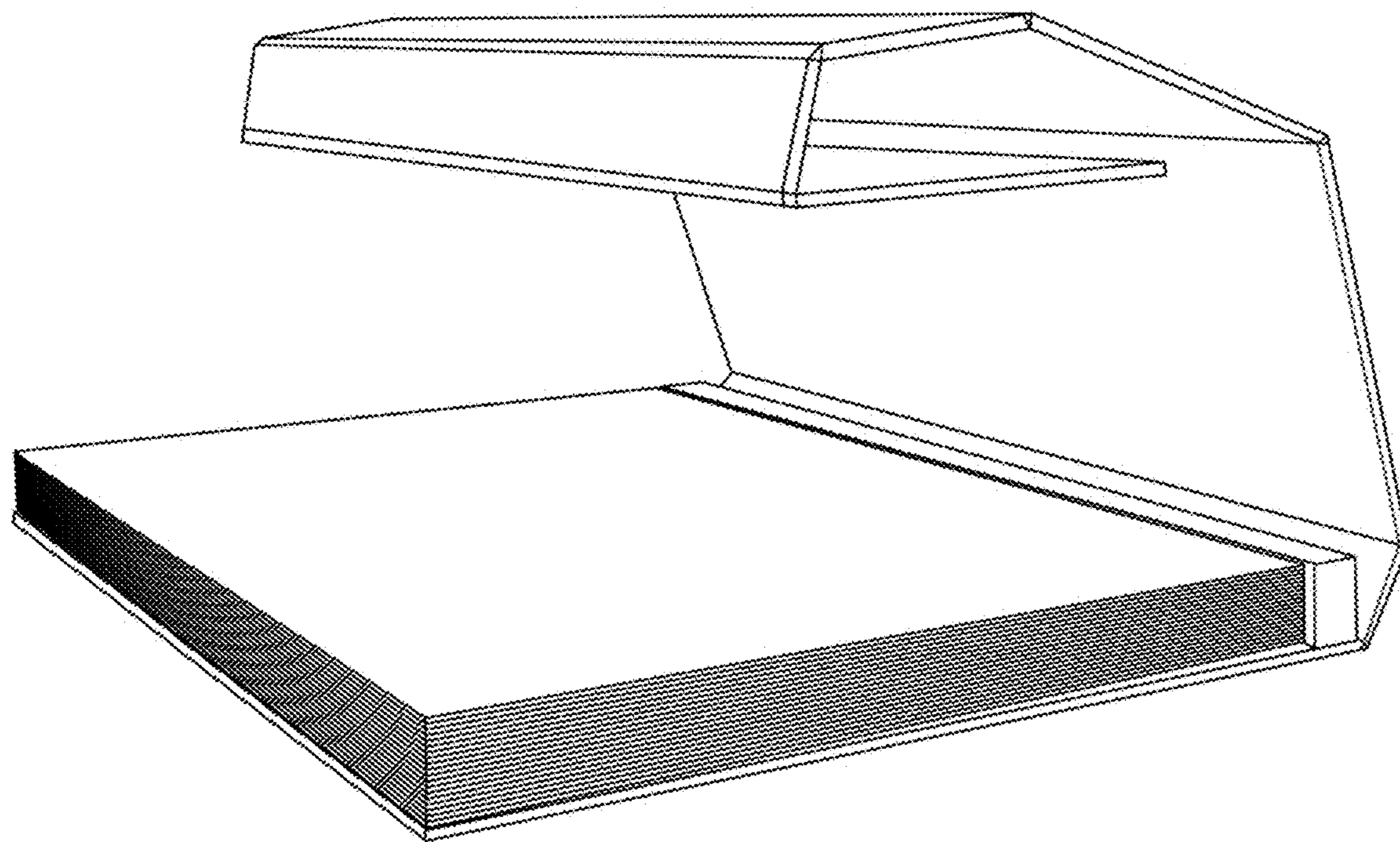
1.8



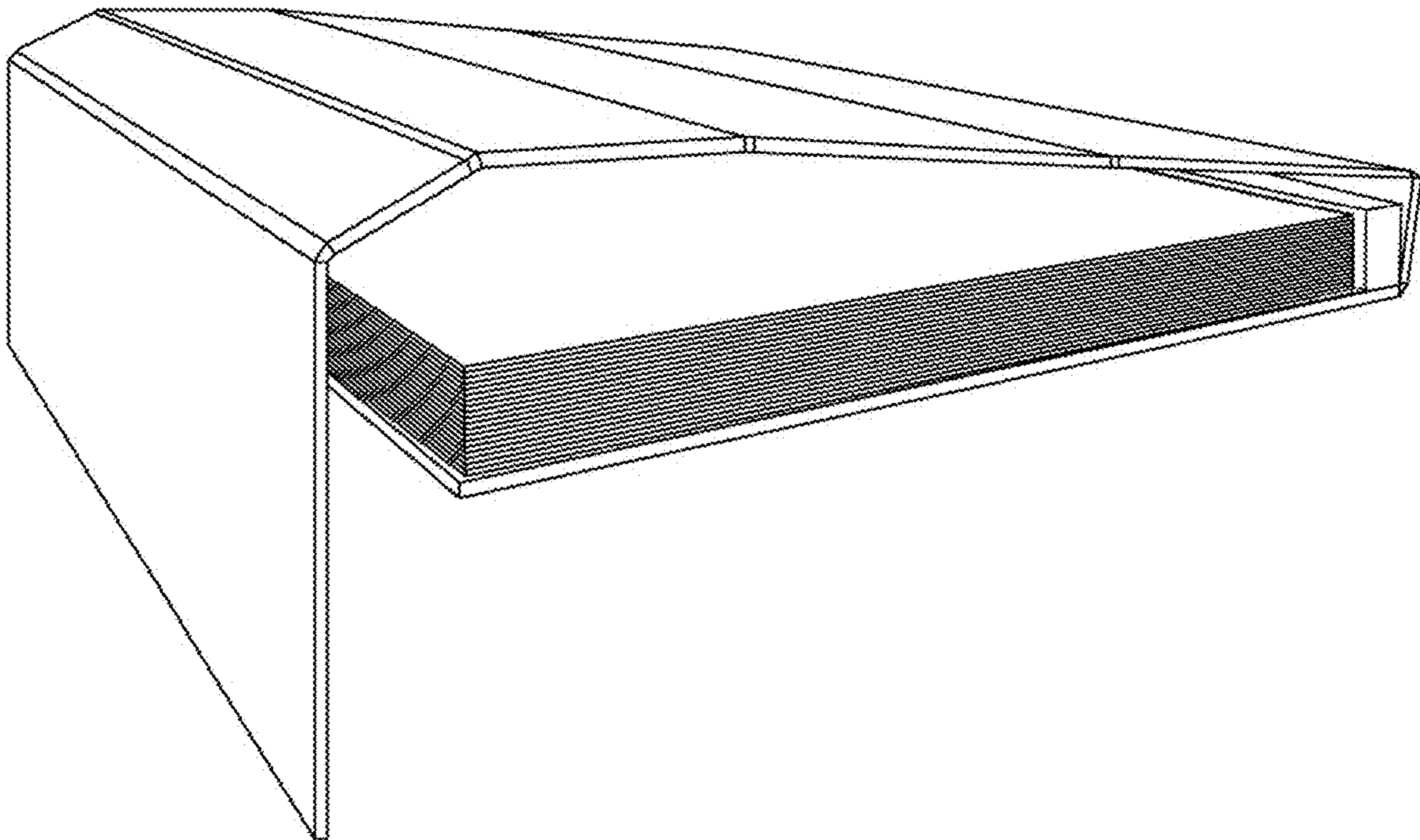
1.9



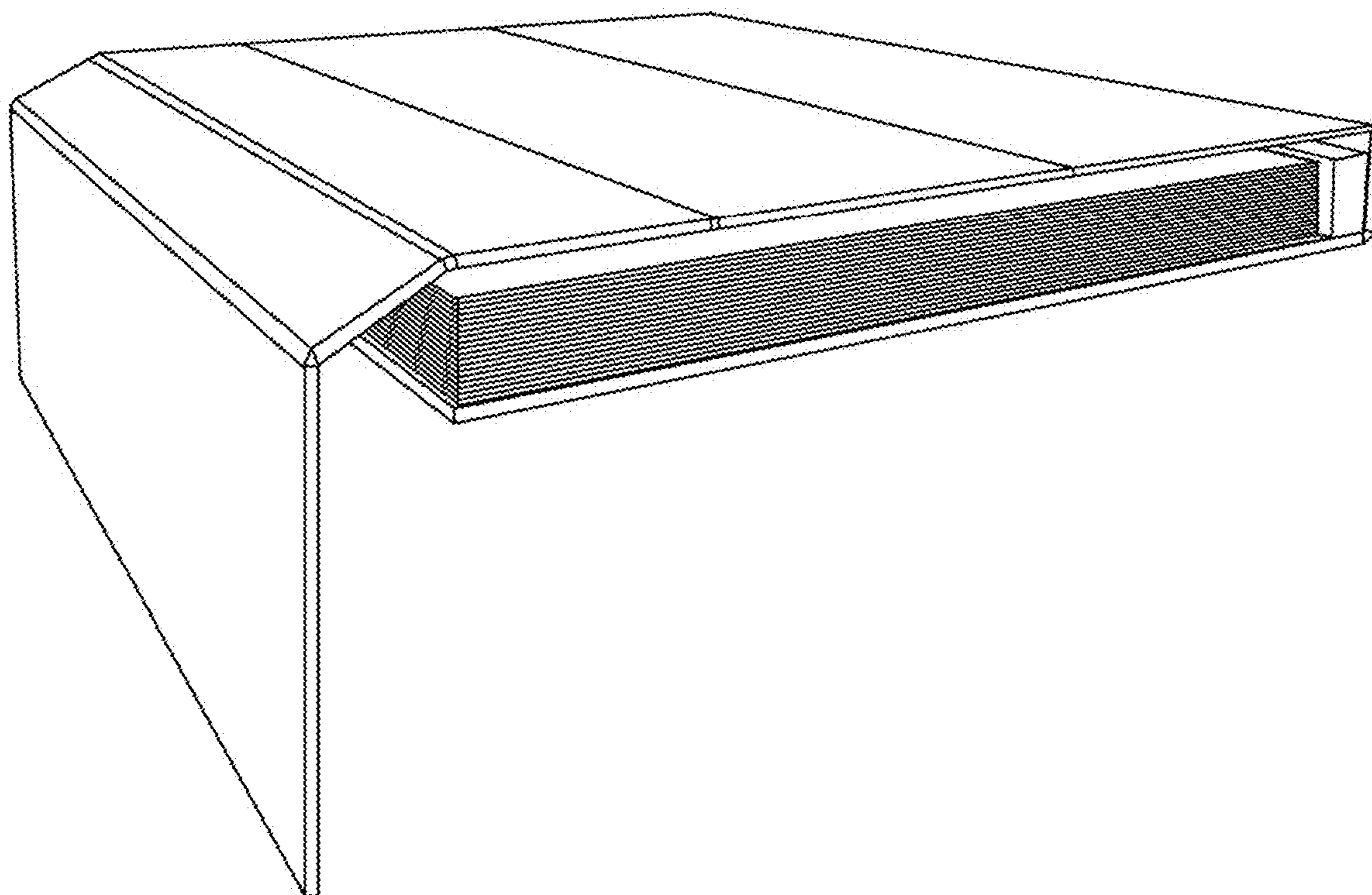
1.10



1.11



1.12



1.13

