



US00D911432S

(12) **United States Design Patent**
Skogsfjord

(10) **Patent No.:** **US D911,432 S**

(45) **Date of Patent:** **** Feb. 23, 2021**

(54) **HEADSTOCK**

(71) Applicant: **Yousician Oy**, Helsinki (FI)

(72) Inventor: **Magnus Skogsfjord**, Helsinki (FI)

(73) Assignee: **Yousician Oy**, Helsinki (FI)

(**) Term: **15 Years**

(21) Appl. No.: **29/716,843**

(22) Filed: **Dec. 12, 2019**

(30) **Foreign Application Priority Data**

Oct. 25, 2019 (EM) 007120126

(51) **LOC (13) Cl.** **17-03**

(52) **U.S. Cl.**
USPC **D17/20**

(58) **Field of Classification Search**
USPC D17/14, 19, 20; D3/204; D8/373
CPC G10D 1/08; G10D 1/10; G10D 3/06
See application file for complete search history.

(56) **References Cited**

U.S. PATENT DOCUMENTS

- 4,084,475 A * 4/1978 Horowitz G10D 1/08
84/291
- 4,359,924 A * 11/1982 Brunet G10D 3/06
84/293
- D393,275 S * 4/1998 Andrenacci D17/20

- D441,391 S * 5/2001 Cronos D17/14
- D568,377 S * 5/2008 Kim D17/14
- D673,601 S * 1/2013 Evans D17/14
- D775,270 S * 12/2016 Moffat D17/20
- D819,119 S * 5/2018 Moffat D17/20
- 2018/0025705 A1* 1/2018 Oberg G10H 1/32
84/731

FOREIGN PATENT DOCUMENTS

- AT 507532 A1 * 5/2010 G10G 5/005
- EP 3435367 A2 * 1/2019 G10D 1/08

* cited by examiner

Primary Examiner — R. Johnson

(74) *Attorney, Agent, or Firm* — Leason Ellis LLP

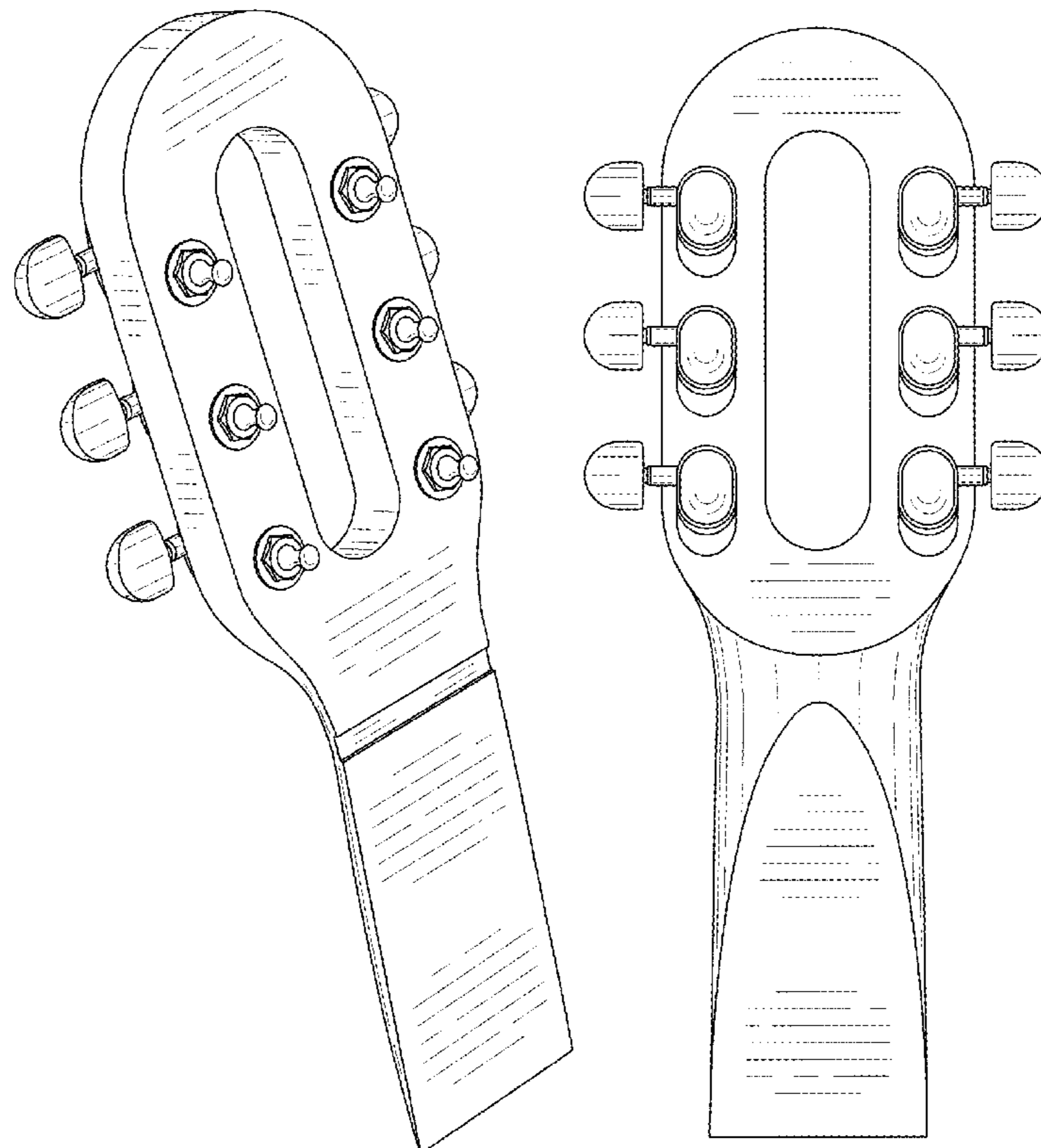
(57) **CLAIM**

The ornamental design for a headstock, as shown and described.

DESCRIPTION

FIG. 1 is a perspective view of a headstock according to my new design;
 FIG. 2 is a front view thereof;
 FIG. 3 is a rear view thereof;
 FIG. 4 is a right, side view thereof;
 FIG. 5 is a left, side view thereof;
 FIG. 6 is an enlarged top view thereof; and,
 FIG. 7 is an enlarged bottom view thereof.
 The line shading illustrates the contours of the design and does not represent surface ornamentation.

1 Claim, 7 Drawing Sheets



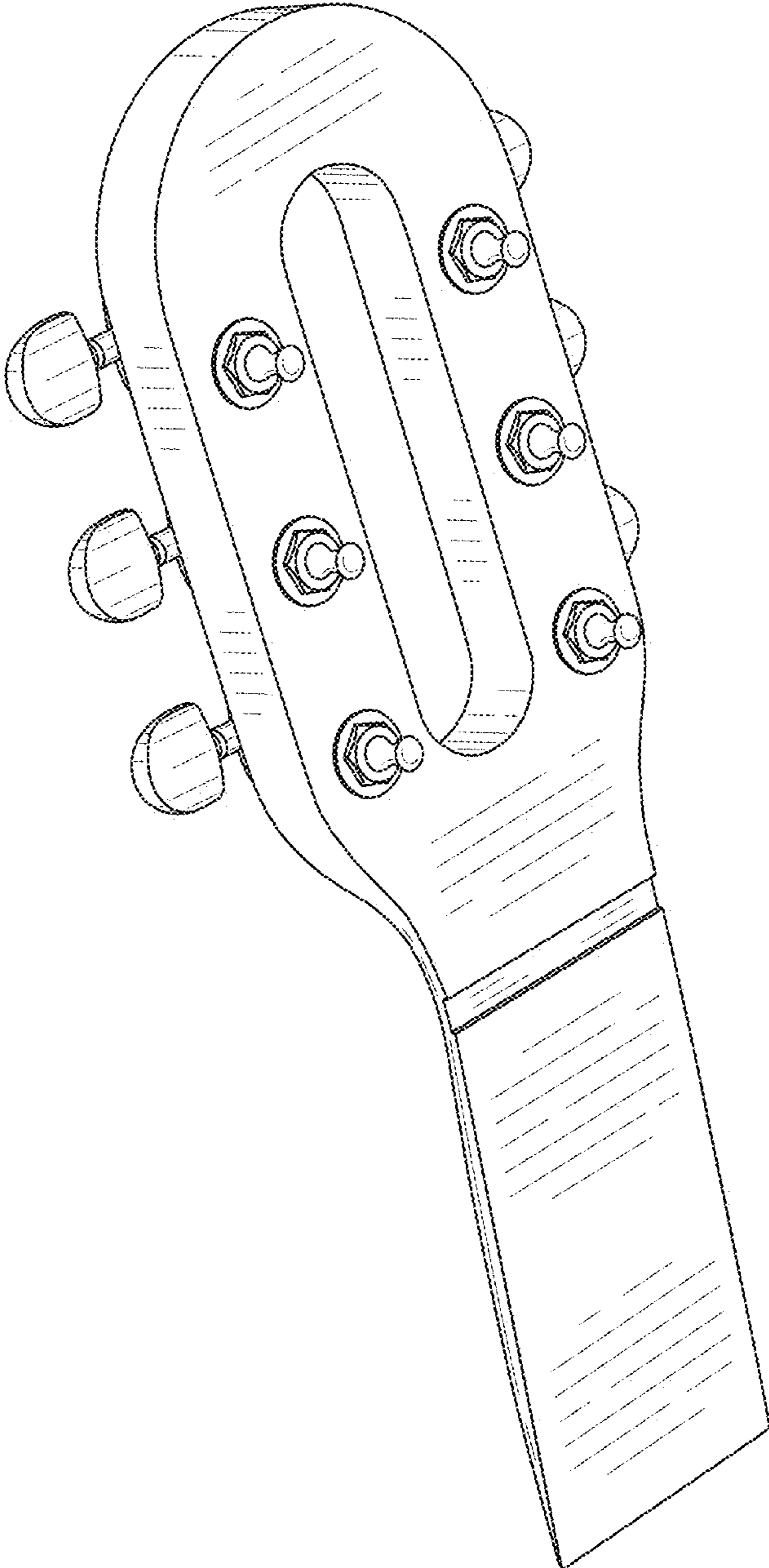


FIG. 1

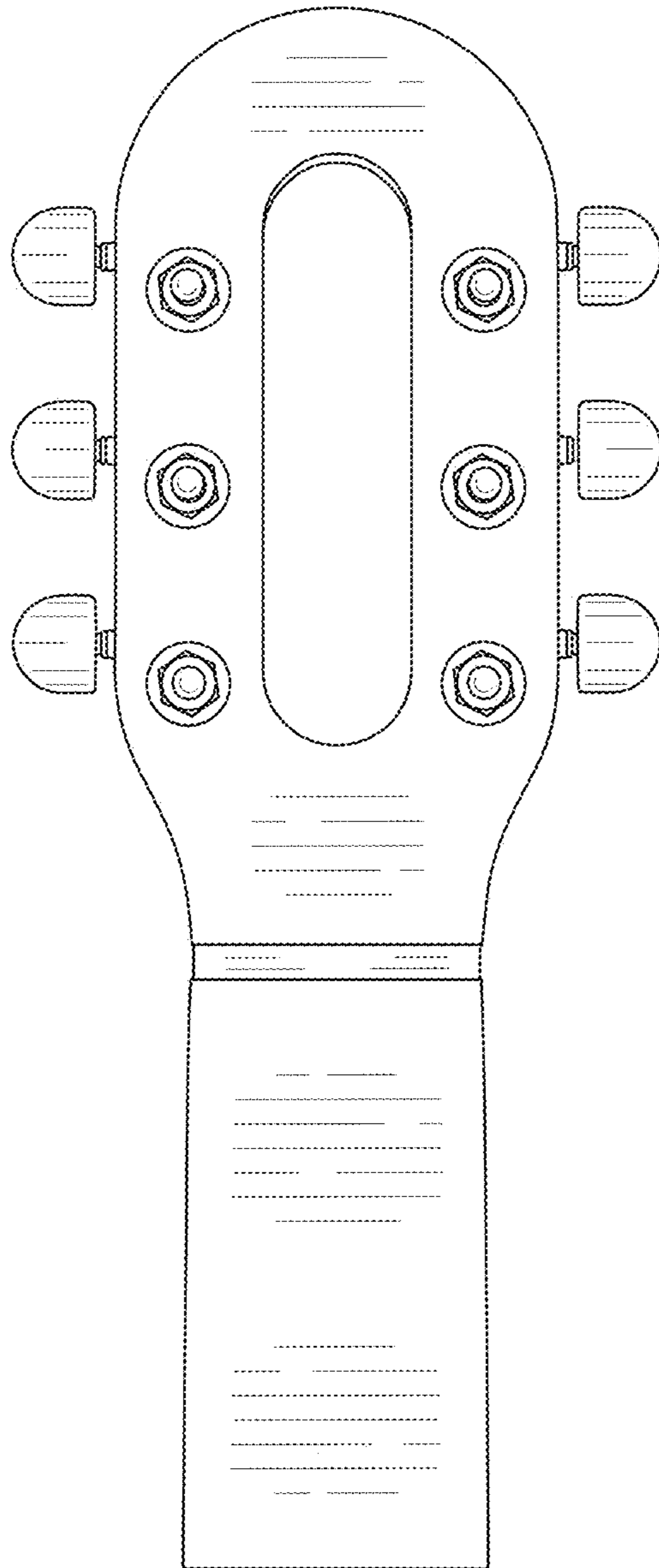


FIG. 2

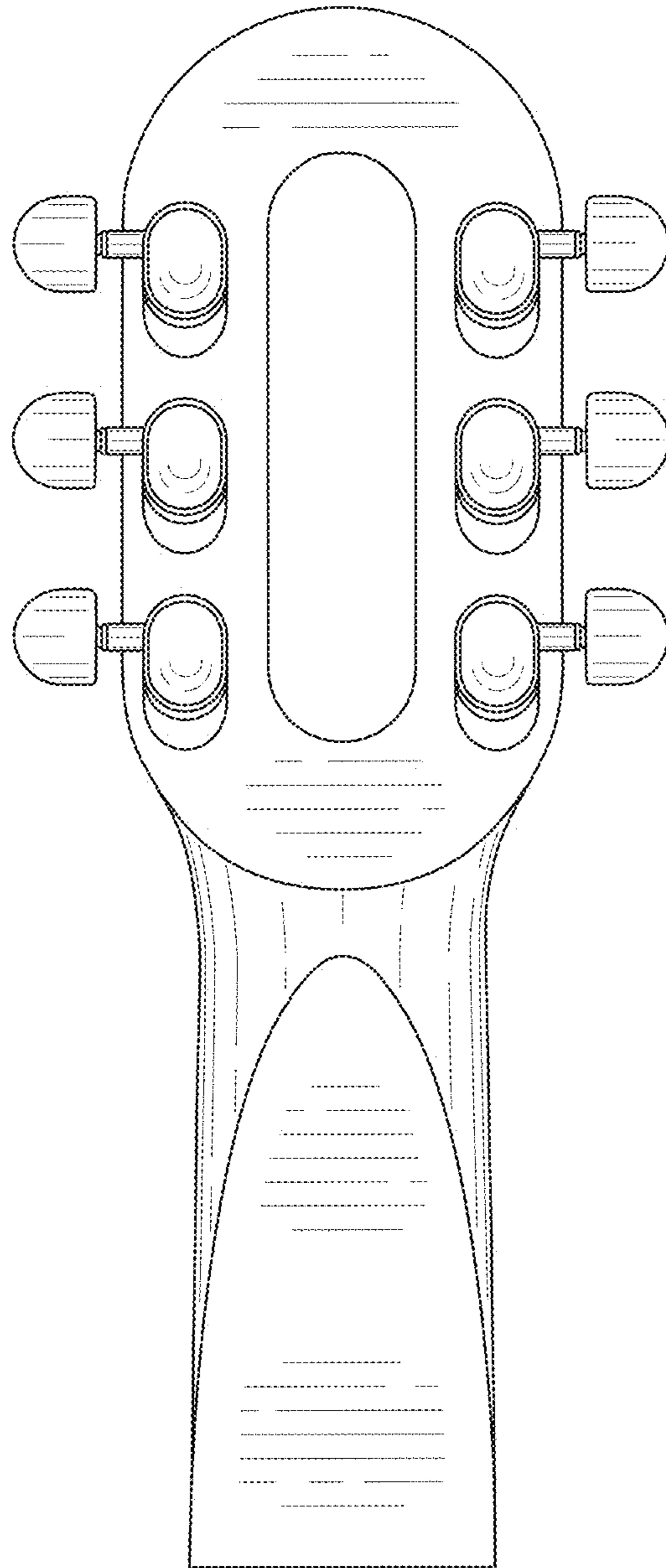


FIG. 3

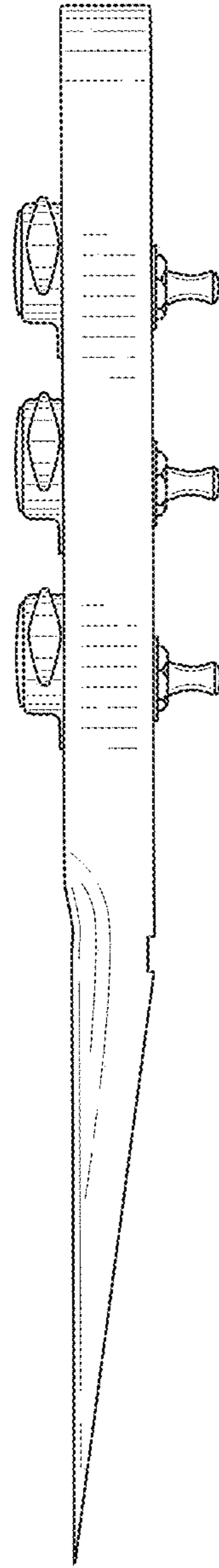


FIG. 4

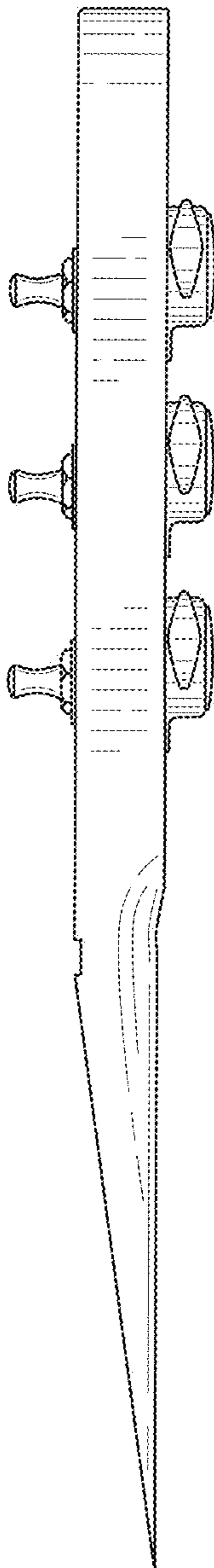


FIG. 5

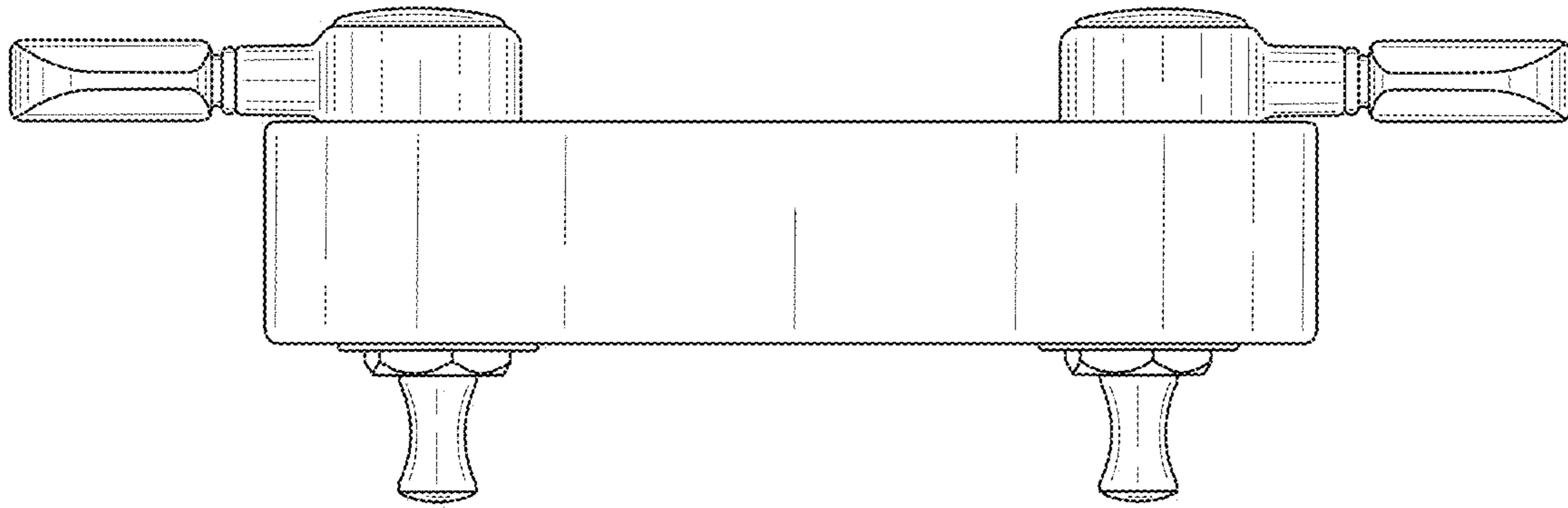


FIG. 6

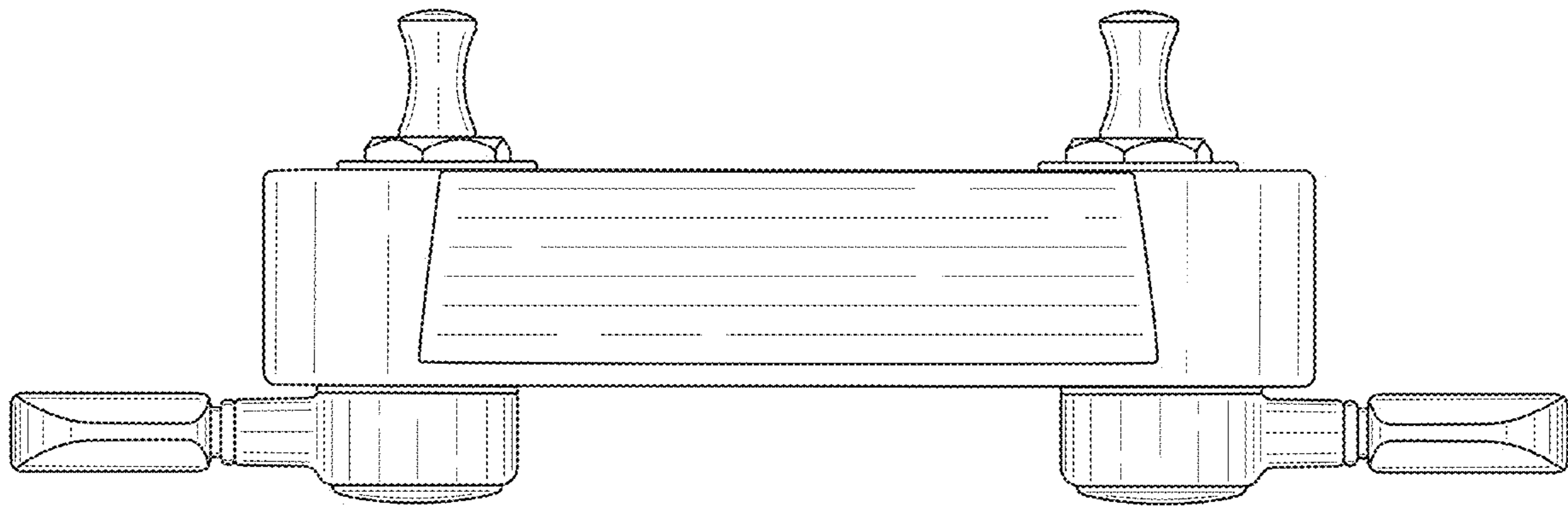


FIG. 7