



US00D911427S

(12) **United States Design Patent**
Silva Casas

(10) **Patent No.:** **US D911,427 S**

(45) **Date of Patent:** **** Feb. 23, 2021**

- (54) **TRIPOD FOR CAMERA PHONES**
- (71) Applicant: **CADDIE VIEW LLC**, Lewes, DE
(US)
- (72) Inventor: **Luis Antonio Silva Casas**, Cancun
(MX)
- (**) Term: **15 Years**
- (21) Appl. No.: **29/705,103**
- (22) Filed: **Sep. 10, 2019**
- (51) **LOC (13) Cl.** **16-05**
- (52) **U.S. Cl.**
USPC **D16/244**; D16/243
- (58) **Field of Classification Search**
USPC D16/219, 237-250; D2/976; D8/354,
D8/355, 363, 373, 382-383, 394-396;
D14/224, 229, 238, 251, 253, 447, 451,
D14/457
CPC A45F 5/00; A45F 5/10; A45F
2200/0508-0533; F16M 11/06-10; F16M
11/14; G02B 7/00-002; G03B 17/56;
G03B 17/561-566; H04N 5/2253-2254
See application file for complete search history.

- D852,872 S * 7/2019 Fang D16/243
- D852,873 S * 7/2019 Fang D16/243
- D860,298 S * 9/2019 Balmer D16/244
- D871,492 S * 12/2019 Xiao D16/244
- D881,263 S * 4/2020 Xia D16/245
- D882,672 S * 4/2020 Xia D16/243
- D883,369 S * 5/2020 Xia D16/243
- 10,718,466 B2 * 7/2020 Chen F16M 11/38

(Continued)

OTHER PUBLICATIONS

Homvilla Selfie Stick Tripod. [online] Retrieved Oct. 20, 2020 from
URL: <http://www.homvillalife.com/product/homvilla-selfie-stick-tripod-id-12-5028/>.*

(Continued)

Primary Examiner — Vy N Koenig

(57) **CLAIM**

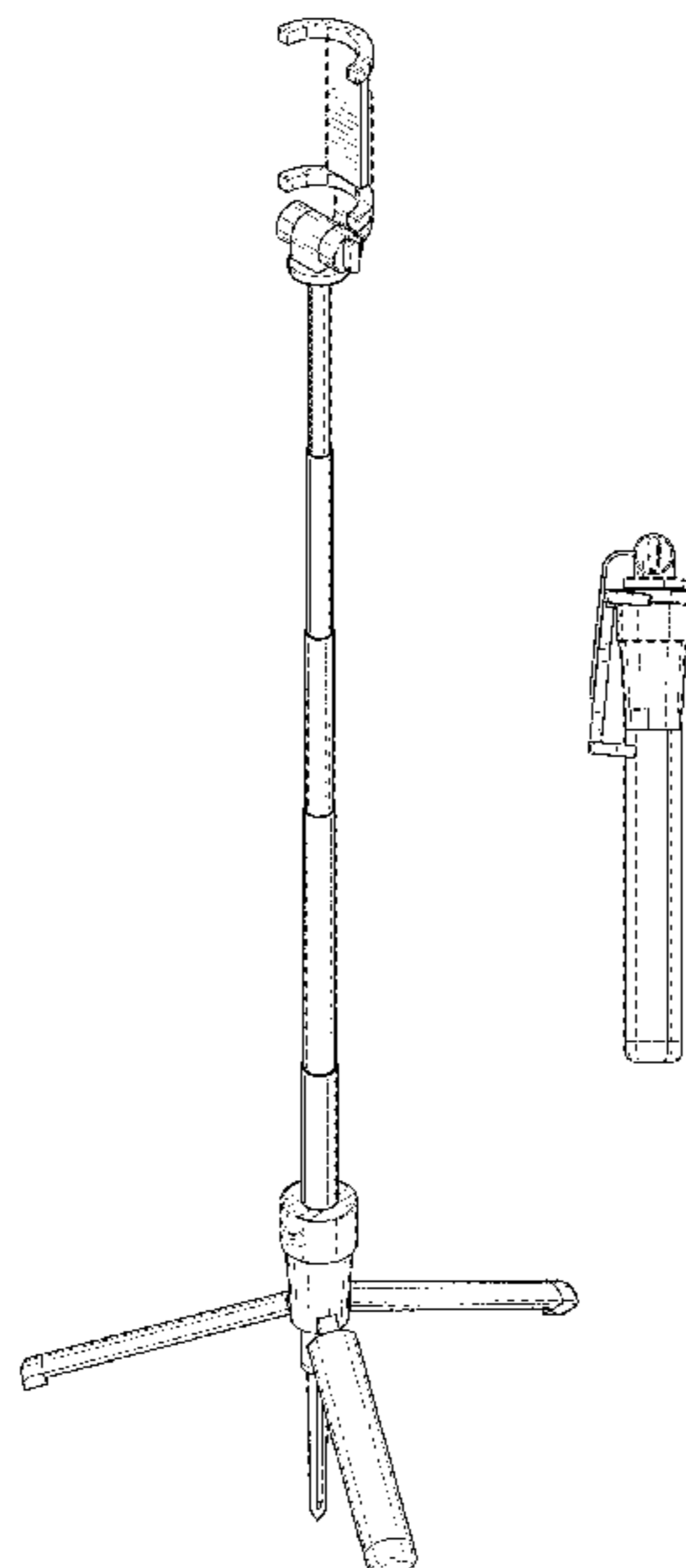
The ornamental design for a tripod for camera phones, as shown and described.

DESCRIPTION

FIG. 1 is a perspective view of a tripod for camera phones showing my new design.
FIG. 2 is a front view thereof;
FIG. 3 is a rear view thereof;
FIG. 4 is a side view thereof;
FIG. 5 is an opposite side view thereof;
FIG. 6 is a top view thereof;
FIG. 7 is a bottom view thereof;
FIG. 8 is a front view illustrating the tripod for camera phones of FIG. 1 in an alternate collapsed state; and,
FIG. 9 is a side view illustrating the tripod for camera phones of FIG. 1 in an alternate collapsed state.
The surface ornamentation shown in broken lines in FIGS. 1, 2, 4, 5 and 9 depicts environmental subject matter and forms no part of the claimed design.

1 Claim, 3 Drawing Sheets

- (56) **References Cited**
U.S. PATENT DOCUMENTS
D673,204 S * 12/2012 Bae D16/244
D715,791 S * 10/2014 Yu D14/253
D765,649 S * 9/2016 Huang D14/253
D765,650 S * 9/2016 Huang D14/253
D799,465 S * 10/2017 Sukphist D14/253
D800,206 S * 10/2017 Moon D16/244
9,851,625 B1 * 12/2017 Fernandez F16M 11/242
D821,483 S * 6/2018 Vitale D16/244
D837,868 S * 1/2019 Shan D16/243
D841,724 S * 2/2019 Huang D16/243
10,247,353 B1 * 4/2019 Chen F16B 2/12
10,302,244 B2 * 5/2019 Lu G03B 17/561



(56)

References Cited

U.S. PATENT DOCUMENTS

D893,582 S * 8/2020 Vitale D16/244
2020/0217452 A1* 7/2020 Shan G03B 17/40

OTHER PUBLICATIONS

Caddie View Expo. [online] Published Jan. 29, 2020. Retrieved
from URL: https://www.youtube.com/watch?v=_uSYjcVU8bk.*

* cited by examiner

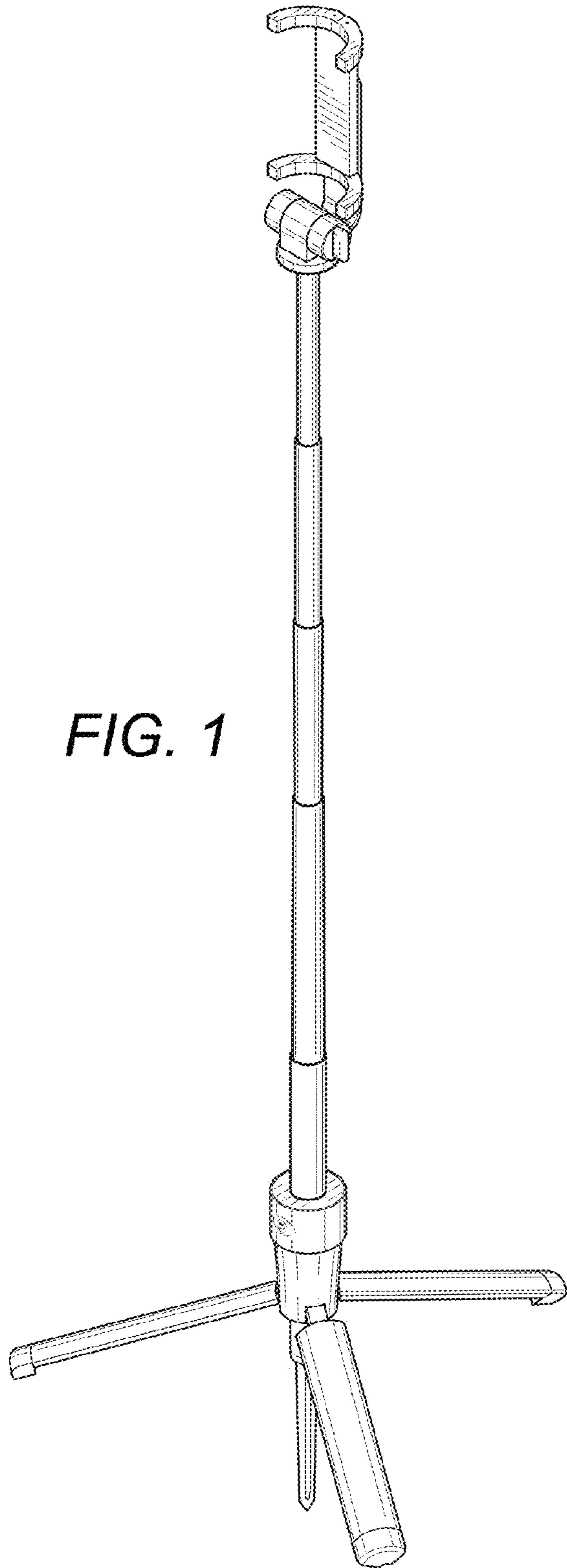


FIG. 1

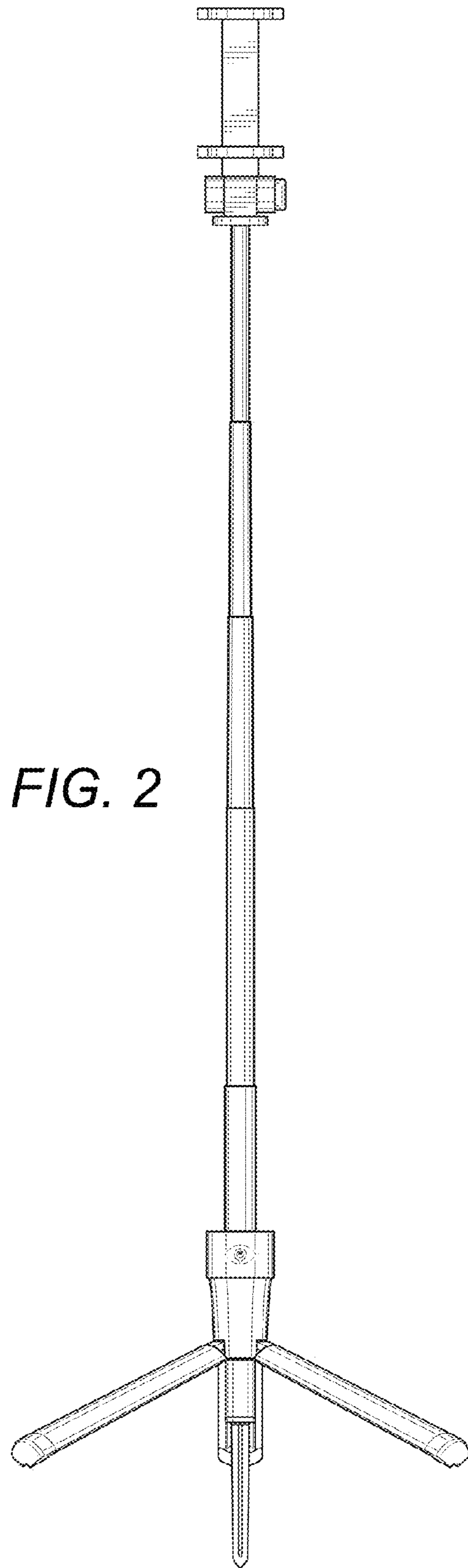
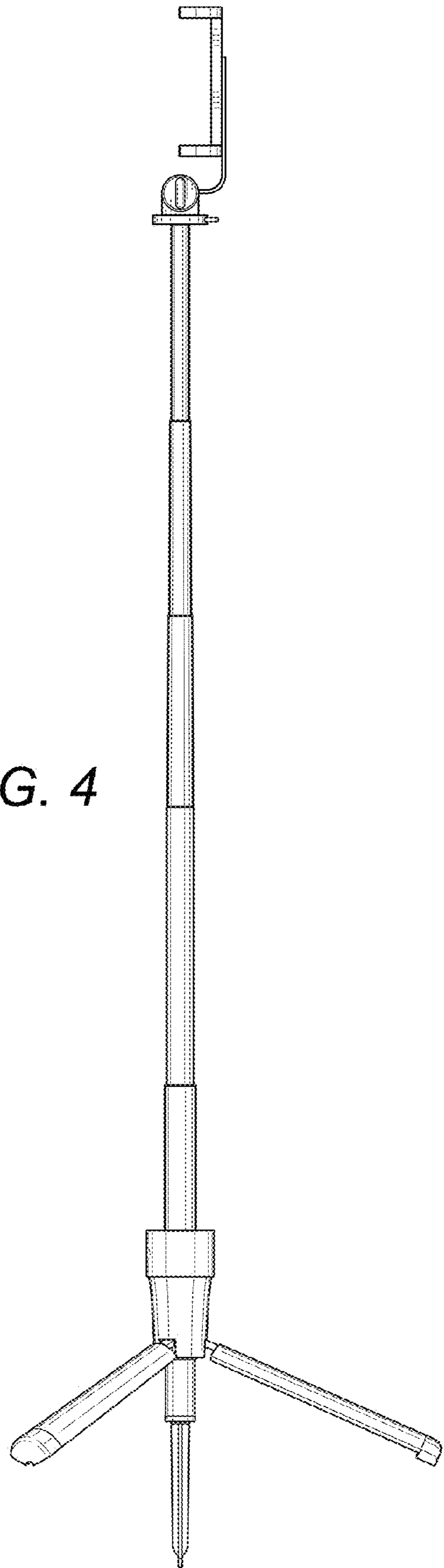
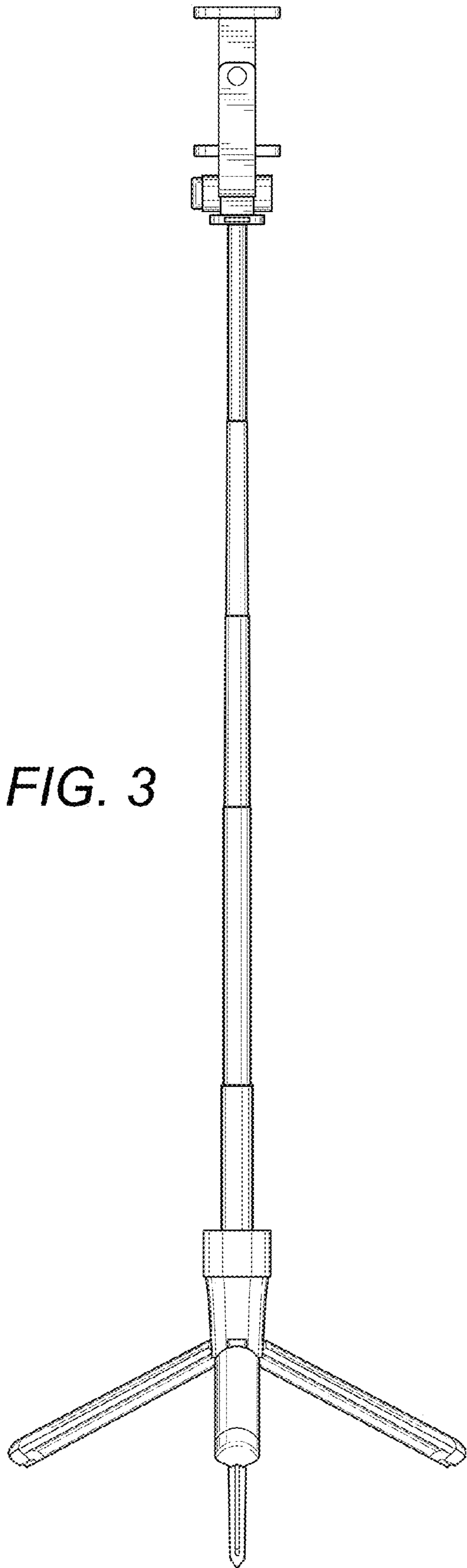


FIG. 2



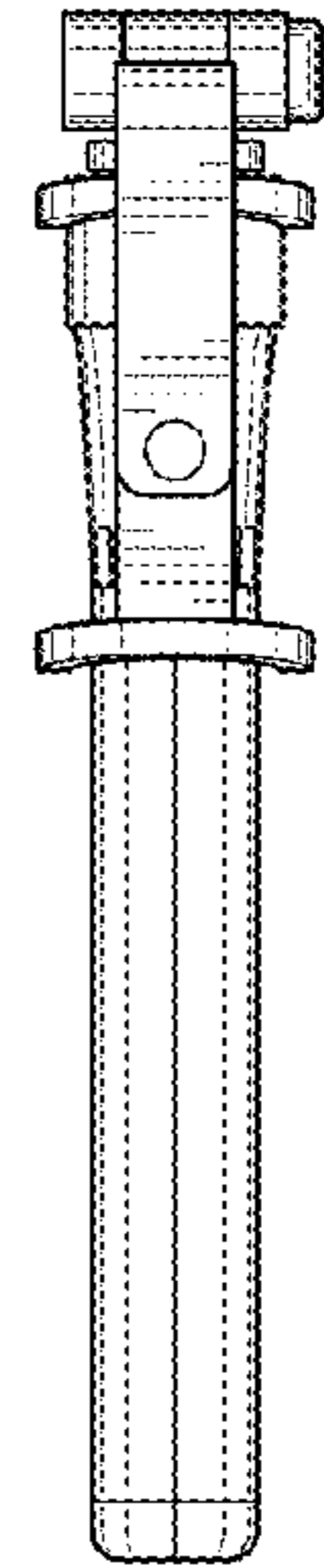
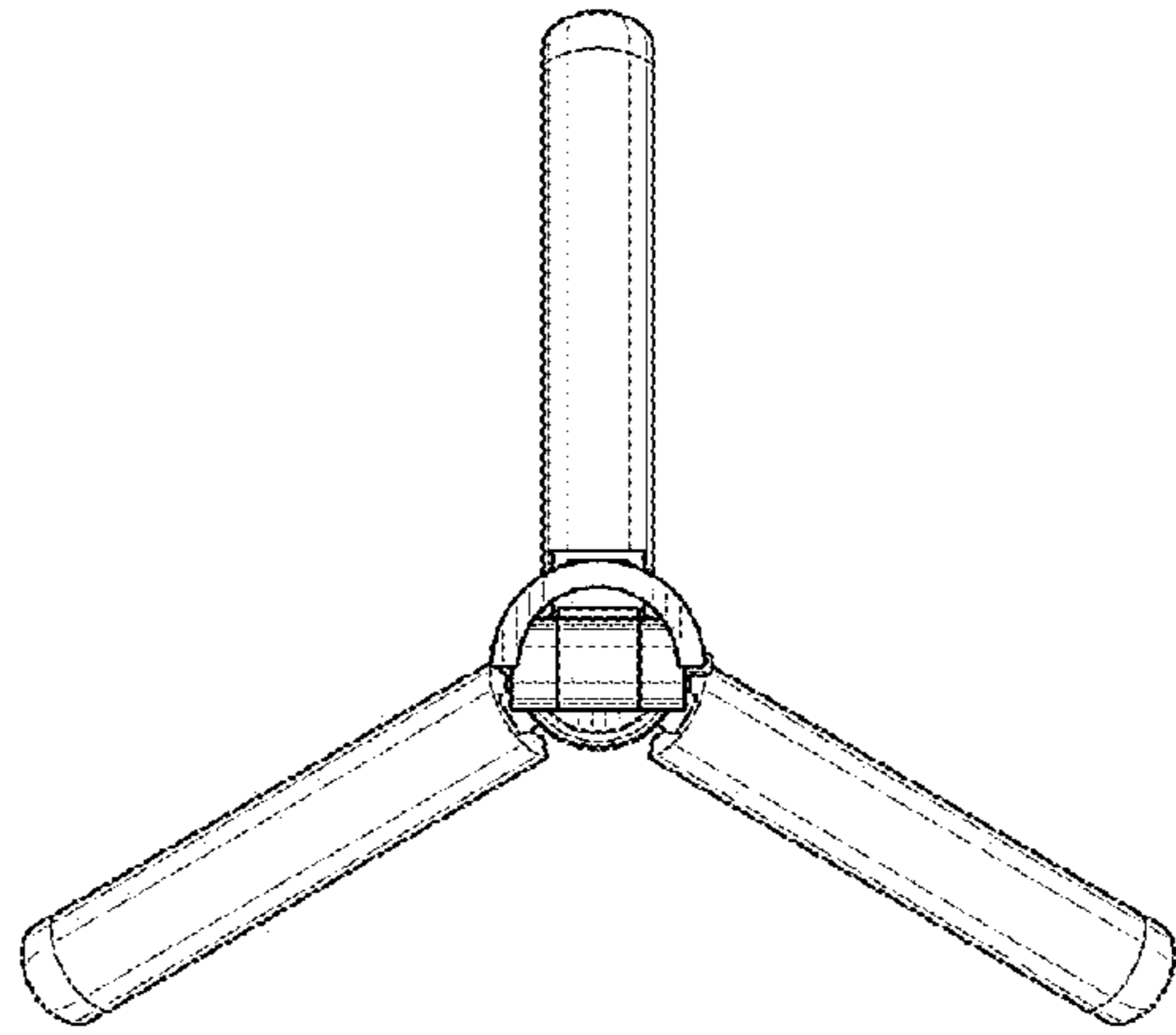
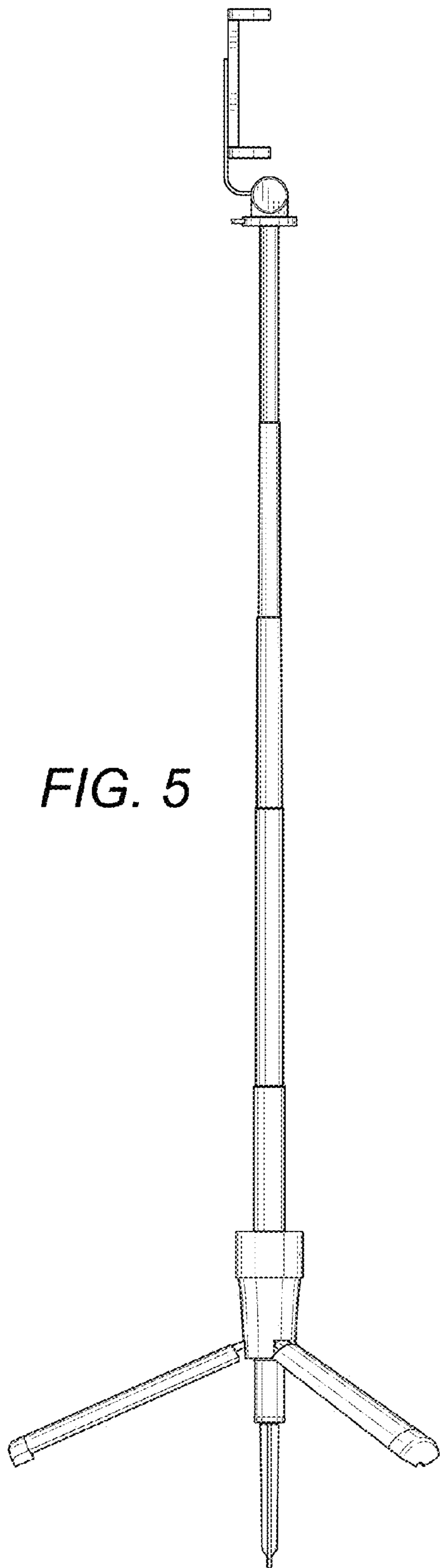


FIG. 6

FIG. 8

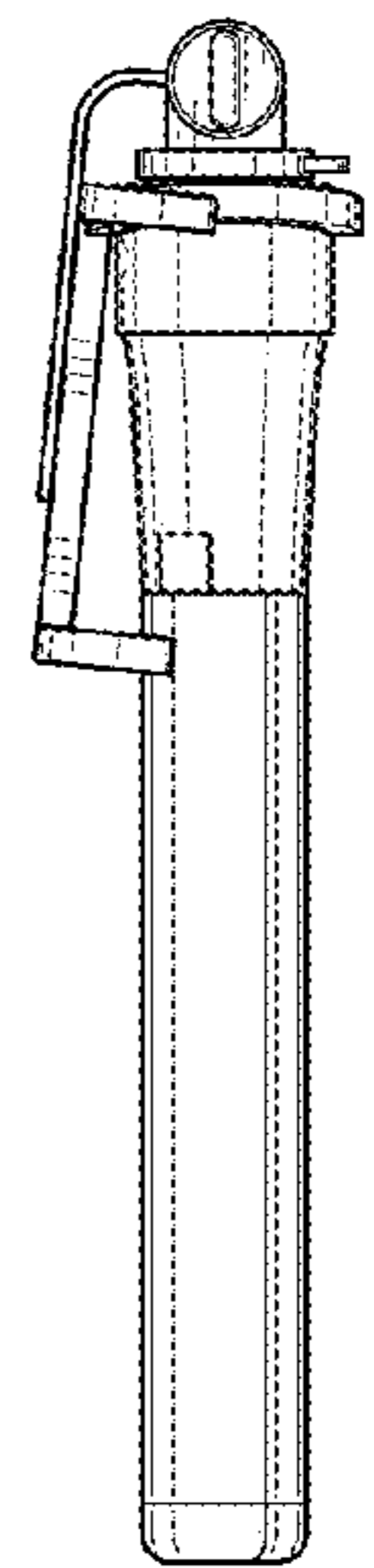
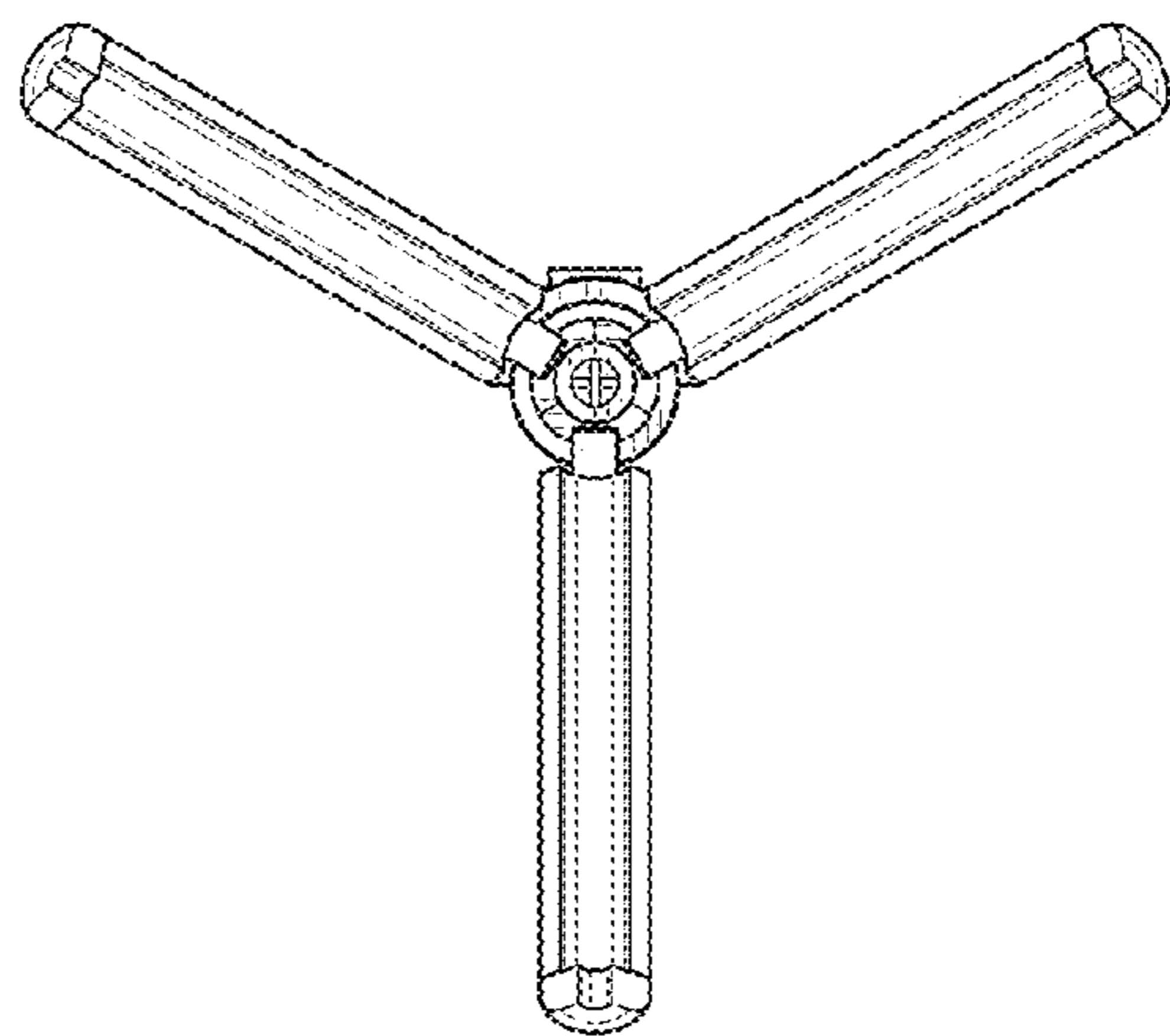


FIG. 7

FIG. 9