



US00D911426S

(12) **United States Design Patent** (10) **Patent No.:** **US D911,426 S**  
**Liu** (45) **Date of Patent:** **\*\* Feb. 23, 2021**

(54) **TRIPOD**  
(71) Applicant: **Shenzhen Anymore Technology Limited**, Shenzhen (CN)  
(72) Inventor: **Taorong Liu**, Shenzhen (CN)  
(73) Assignee: **Shenzhen Anymore Technology Limited**, Shenzhen (CN)  
(\*\*) Term: **15 Years**  
(21) Appl. No.: **29/699,067**  
(22) Filed: **Jul. 23, 2019**  
(51) **LOC (13) Cl.** ..... **16-05**  
(52) **U.S. Cl.**  
USPC ..... **D16/244**  
(58) **Field of Classification Search**  
USPC ..... D16/219, 237-250; D8/354, 355, 363, D8/373, 382-383, 394-396; D14/224, D14/229, 238, 251, 253, 447, 451, 457  
CPC ..... A45F 5/00; A45F 5/10; A45F 2200/0508-0533; F16M 11/06-10; F16M 11/14; G02B 7/00-002; G03B 17/56; G03B 17/561-566; H04N 5/2253-5/2254  
See application file for complete search history.

2011/0260016 A1\* 10/2011 Johnson ..... F16M 11/16 248/168  
2015/0076296 A1\* 3/2015 Yang ..... F16M 11/26 248/163.2  
2015/0338017 A1\* 11/2015 De Faveri ..... F16M 11/16 396/428  
2019/0003635 A1\* 1/2019 Li ..... F16M 11/245

**OTHER PUBLICATIONS**

Fourth Arrow Camera Arms Tripod. [online] Retrieved Oct. 20, 2020 from URL: <https://www.fourtharrowcameraarms.com/fourth-arrow-tripod>.\*

\* cited by examiner

*Primary Examiner* — Vy N Koenig  
(74) *Attorney, Agent, or Firm* — ScienBiziP, P.C.

(57) **CLAIM**

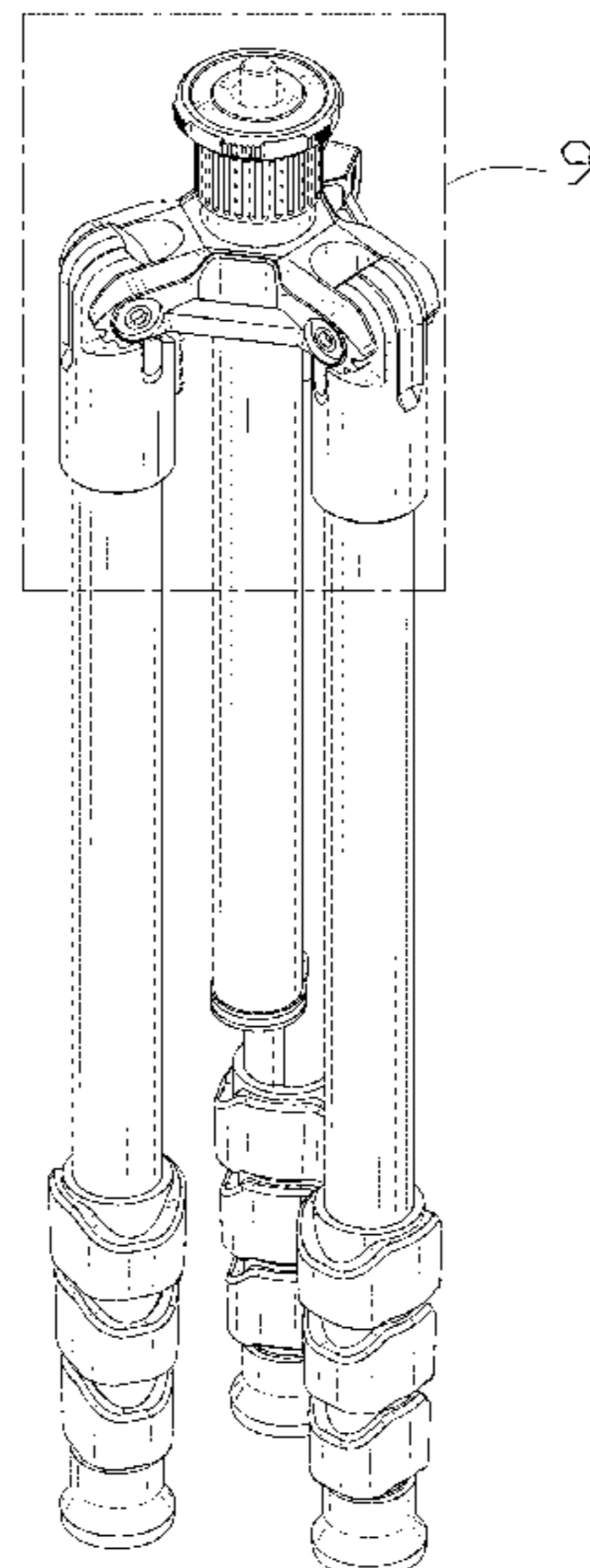
The ornamental design for a tripod, as shown and described.

**DESCRIPTION**

FIG. 1 is a first perspective view of a tripod, showing my design.  
FIG. 2 is a second perspective view thereof.  
FIG. 3 is a front elevation view thereof.  
FIG. 4 is a rear elevation view thereof.  
FIG. 5 is a left side elevation view thereof.  
FIG. 6 is a right side elevation view thereof.  
FIG. 7 is a top plan view thereof.  
FIG. 8 is a bottom plan view thereof.  
FIG. 9 is an enlarged view of an area labeled 9 in FIG. 1 of the tripod; and,  
FIG. 10 is an enlarged view of an area labeled 10 in FIG. 2 of the tripod.  
The broken lines shown in the drawings are included for the purpose of illustrating portions of the tripod that form no part of the claimed design.

(56) **References Cited**  
U.S. PATENT DOCUMENTS  
D600,737 S \* 9/2009 Sudhana ..... D16/244  
D607,037 S \* 12/2009 Lee ..... D16/244  
9,383,632 B2 \* 7/2016 Spegiorin ..... F16M 11/242  
D807,421 S \* 1/2018 Yin ..... D16/244  
D829,266 S \* 9/2018 Zeng ..... D16/244  
D860,299 S \* 9/2019 Li ..... D16/244  
D864,282 S \* 10/2019 Liu ..... D16/244  
D888,814 S \* 6/2020 Chen ..... D16/244  
2008/0224000 A1 \* 9/2008 Yang ..... G03B 17/561 248/188.5  
2010/0019109 A1 \* 1/2010 Liu ..... F16M 11/046 248/168

**1 Claim, 10 Drawing Sheets**



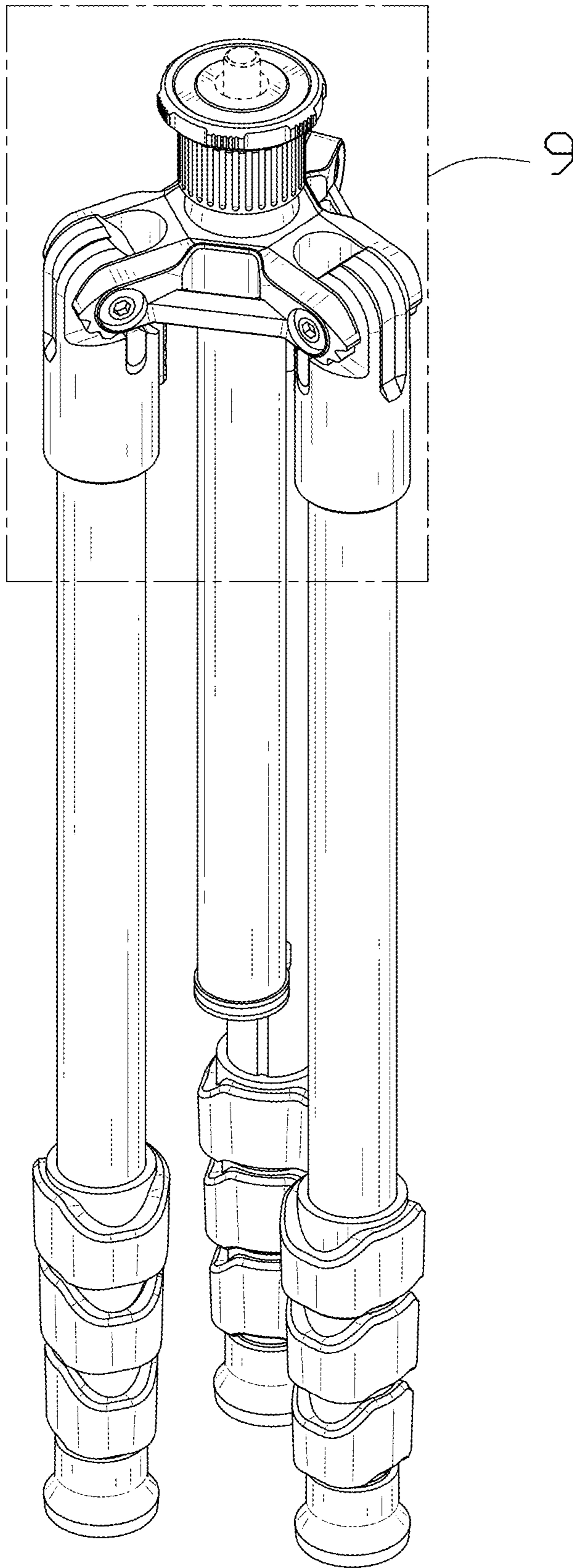


FIG. 1

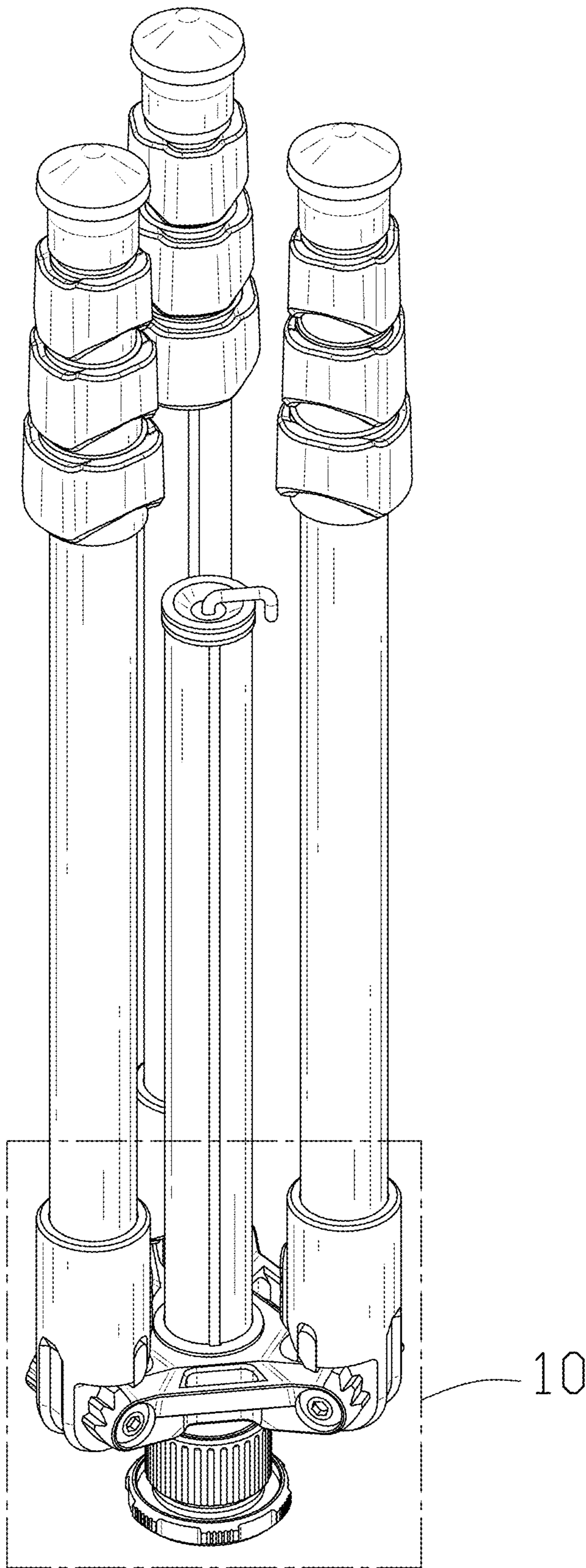


FIG. 2

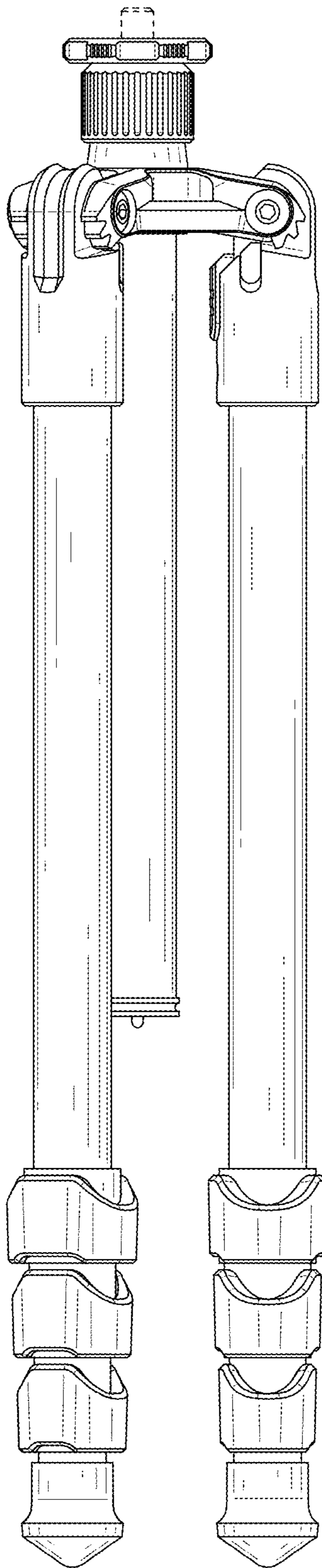


FIG. 3

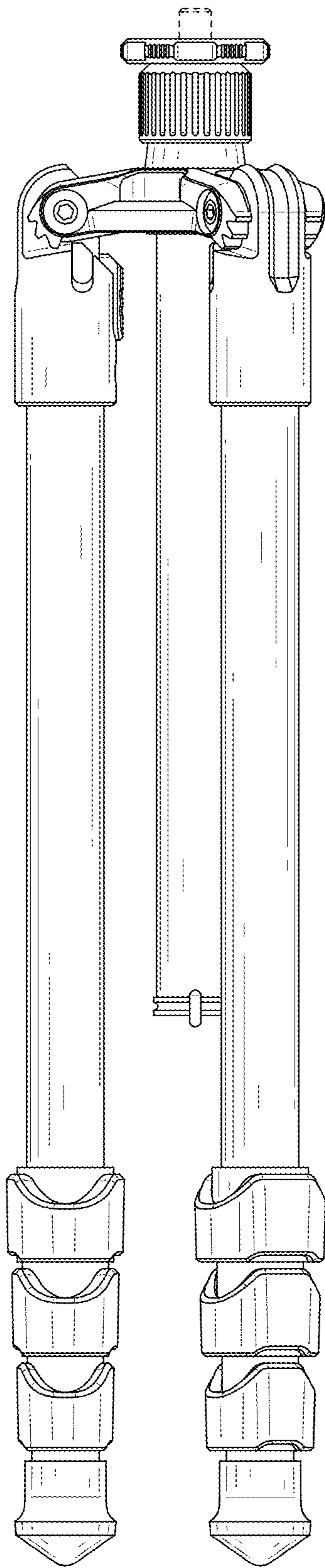


FIG. 4

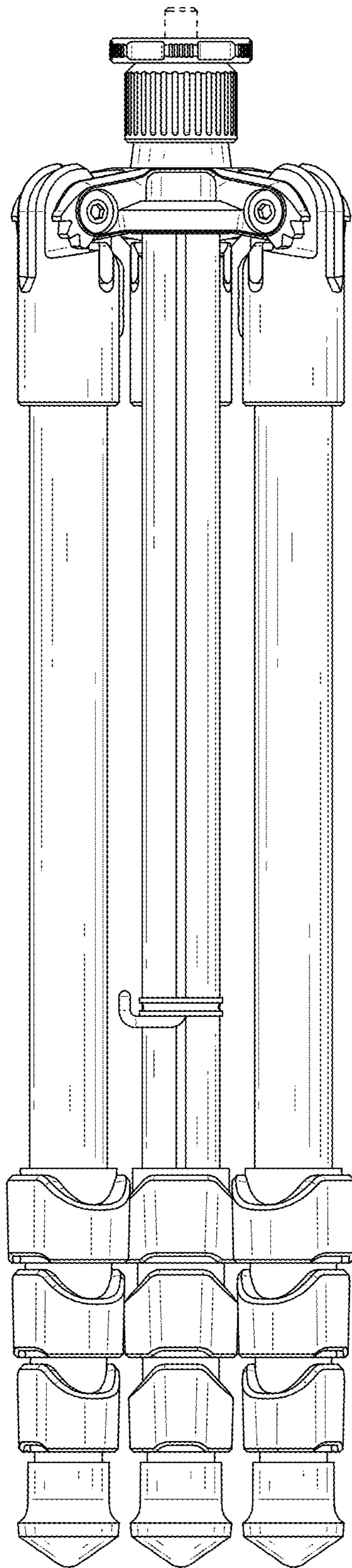


FIG. 5

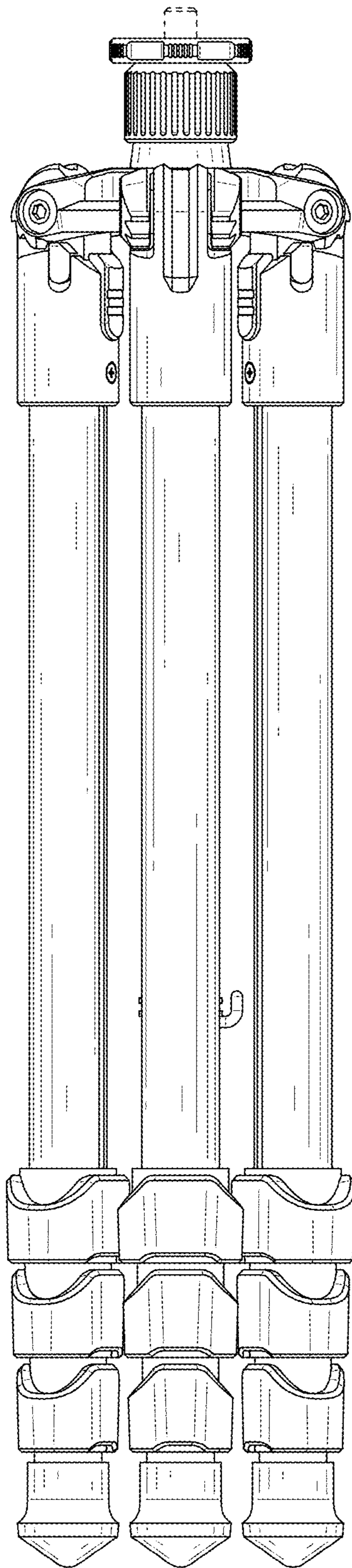


FIG. 6

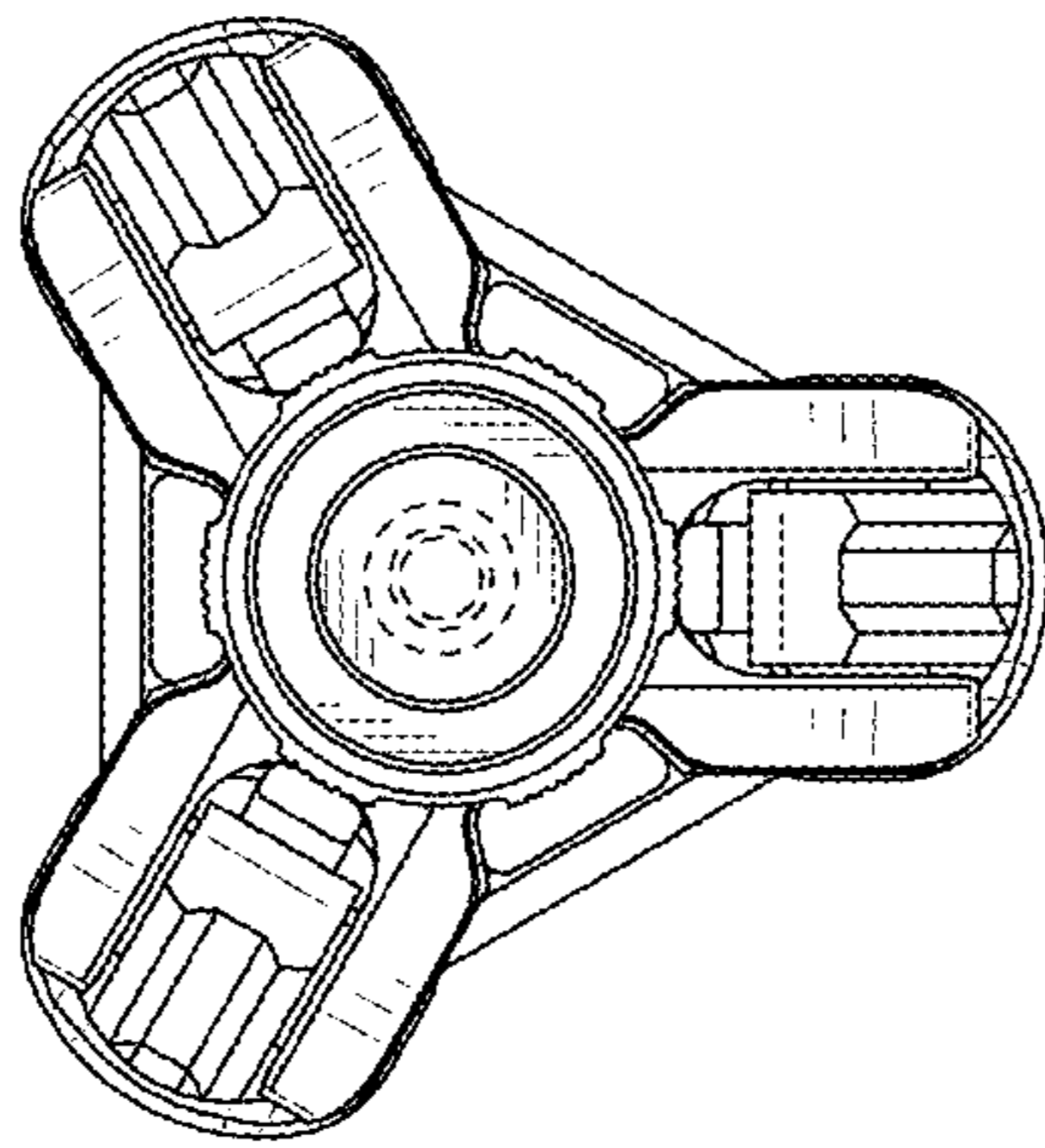


FIG. 7



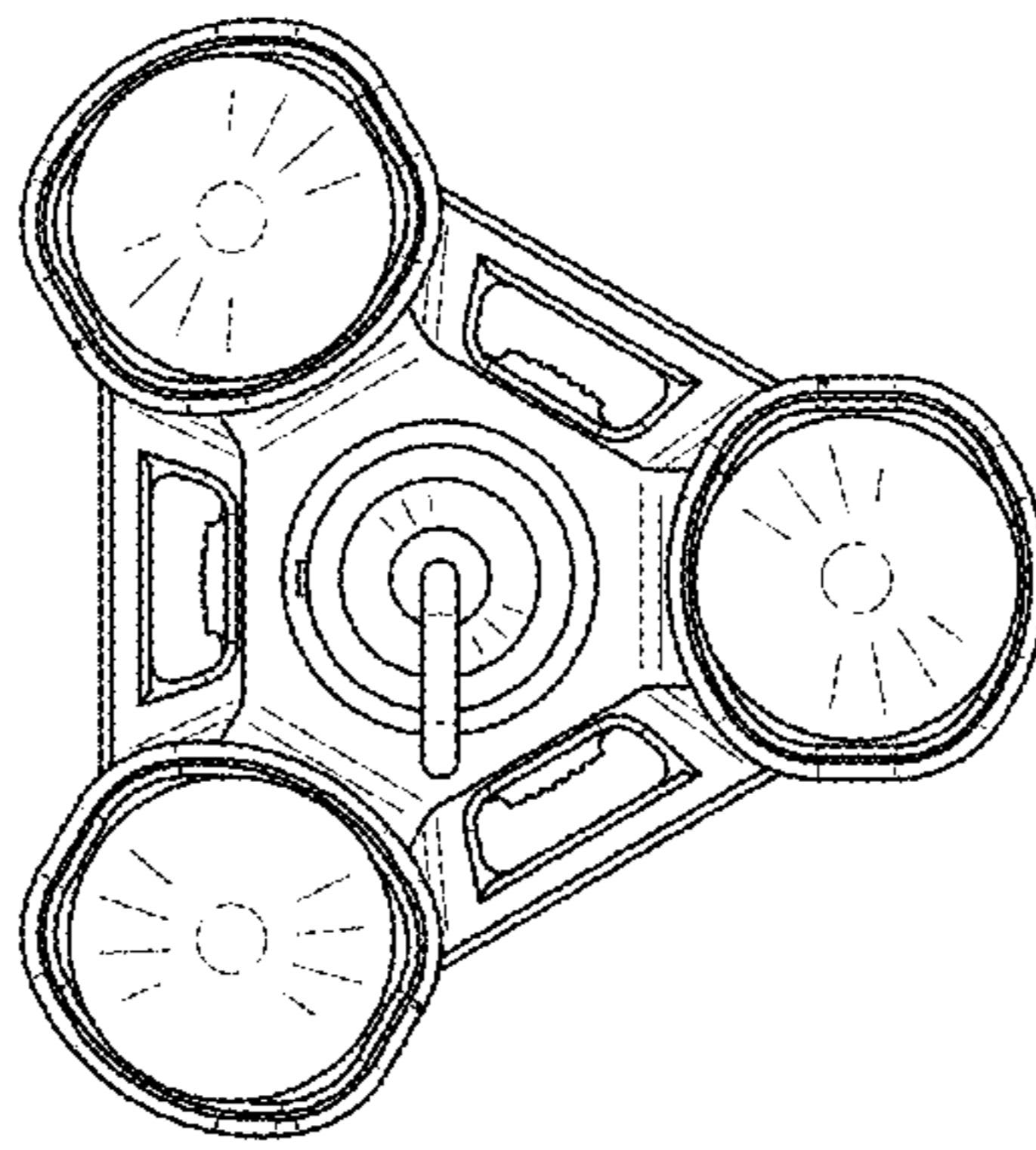


FIG. 8

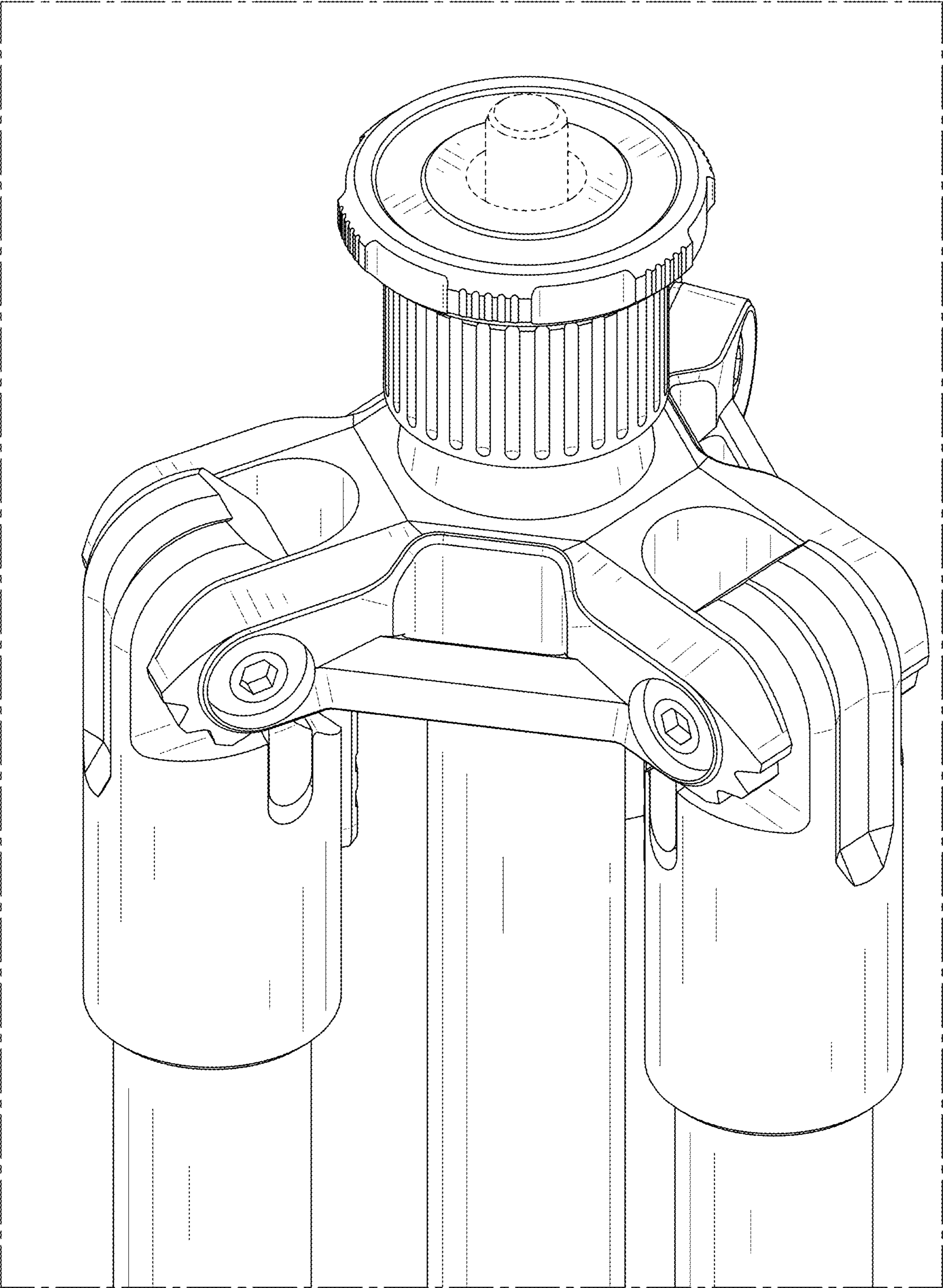


FIG. 9

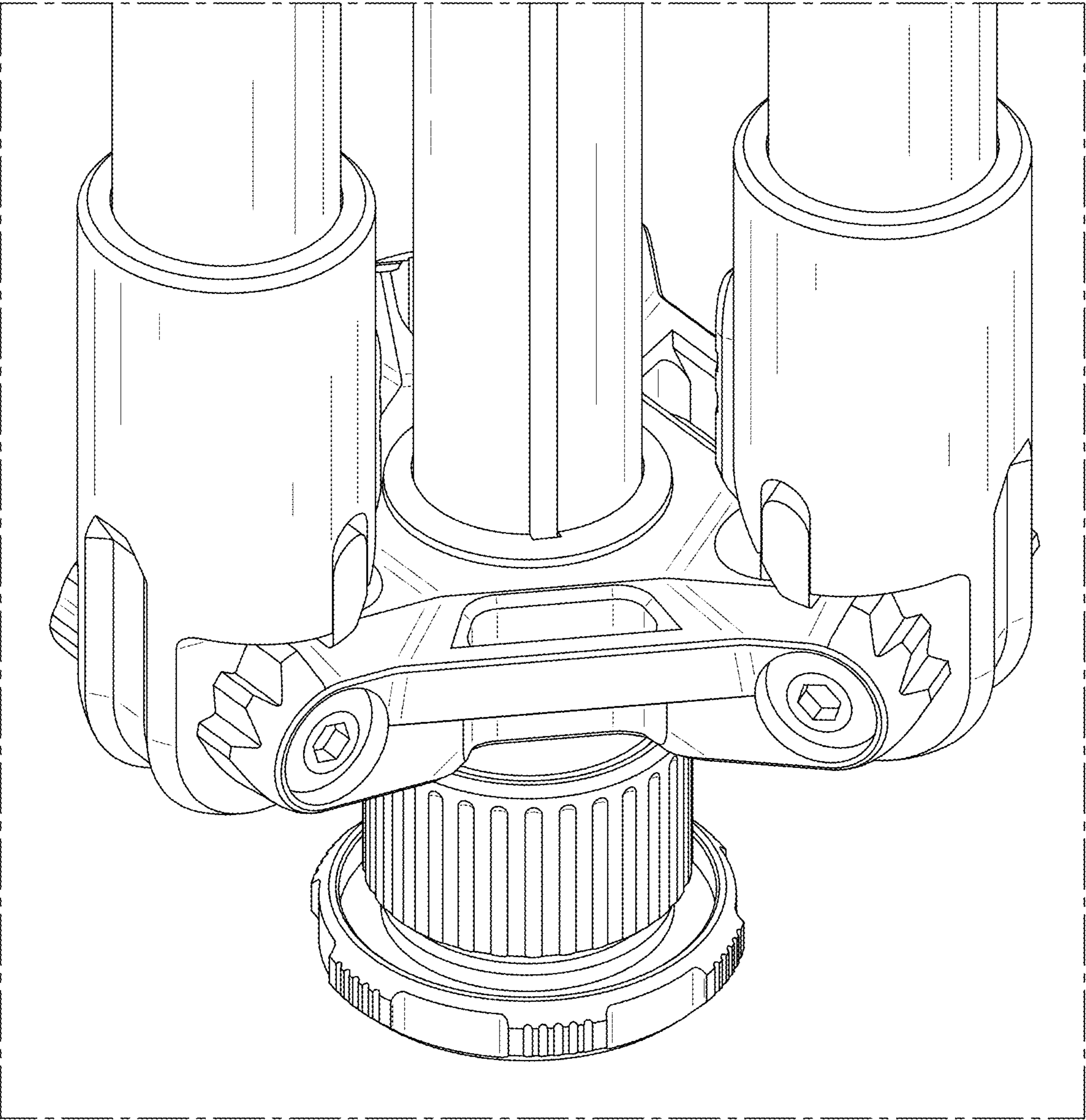


FIG. 10