



US00D911425S

(12) **United States Design Patent**
Shan et al.

(10) **Patent No.:** **US D911,425 S**

(45) **Date of Patent:** **** Feb. 23, 2021**

(54) **COMBINED SELFIE STICK AND WIRELESS REMOTE**

Primary Examiner — Vy N Koenig

(71) Applicant: **WINNERS' SUN PLASTIC & ELECTRONIC (SHENZHEN) CO., LTD.**, Shenzhen (CN)

(57) **CLAIM**

The ornamental design for a combined selfie stick and wireless remote, as shown and described.

(72) Inventors: **Jinghua Shan**, Shenzhen (CN); **Yi Bing Peng**, Shenzhen (CN)

DESCRIPTION

(73) Assignee: **WINNERS' SUN PLASTIC & ELECTRONIC (SHENZHEN) CO., LTD.**, Shenzhen (CN)

FIG. 1 is a front perspective view of the selfie stick component of a combined selfie stick and wireless remote showing our new design, shown separately to reveal aspects of the design that may not be apparent in other views;

(**) Term: **15 Years**

FIG. 2 is a rear perspective view thereof;

(21) Appl. No.: **29/703,344**

FIG. 3 is a front elevational view thereof;

(22) Filed: **Aug. 27, 2019**

FIG. 4 is a rear elevational view thereof;

(30) **Foreign Application Priority Data**

FIG. 5 is a left side elevational view thereof;

Apr. 11, 2019 (CN) 201930163880.8

FIG. 6 is a right side elevational view thereof;

(51) **LOC (13) Cl.** **16-05**

FIG. 7 is a top plan view thereof;

(52) **U.S. Cl.**

FIG. 8 is a bottom plan view thereof;

USPC **D16/243**; D16/237

FIG. 9 is an enlarged view of portion 9 of FIG. 1;

(58) **Field of Classification Search**

FIG. 10 is an enlarged view of portion 10 of FIG. 1;

USPC D16/219, 237-250; D2/976; D8/354, D8/355, 363, 373, 382-383, 394-396;

FIG. 11 is an enlarged view of portion 11 of FIG. 2;

(Continued)

FIG. 12 is a front perspective view of the wireless remote component of a combined selfie stick and wireless remote showing our new design, shown separately to reveal aspects of the design that may not be apparent in other views;

(56) **References Cited**

FIG. 13 is a rear perspective view thereof;

U.S. PATENT DOCUMENTS

D673,204 S * 12/2012 Bae D16/244

FIG. 14 is a front elevational view thereof;

D715,791 S * 10/2014 Yu D14/253

FIG. 15 is a rear elevational view thereof;

(Continued)

FIG. 16 is a left side elevational view thereof;

OTHER PUBLICATIONS

Portable Selfie Stick Tripod with Bluetooth. [online] Published on Aug. 15, 2019. Retrieved Oct. 20, 2020 from URL: <https://miracase.com/products/portable-selfie-stick-tripod-with-bluetooth>.*

FIG. 17 is a right side elevational view thereof;

FIG. 18 is a top plan view thereof;

FIG. 19 is a bottom plan view thereof;

FIG. 20 is a front perspective view of the claimed design wherein the wireless remote is accommodated in a holder of the selfie stick;

FIG. 21 is a front perspective view of the claimed design wherein the selfie stick is fully folded and the wireless remote is accommodated in the selfie stick;

FIG. 22 is a front perspective view of the combined selfie stick and wireless remote in a first alternate configuration of use;

(Continued)

(Continued)

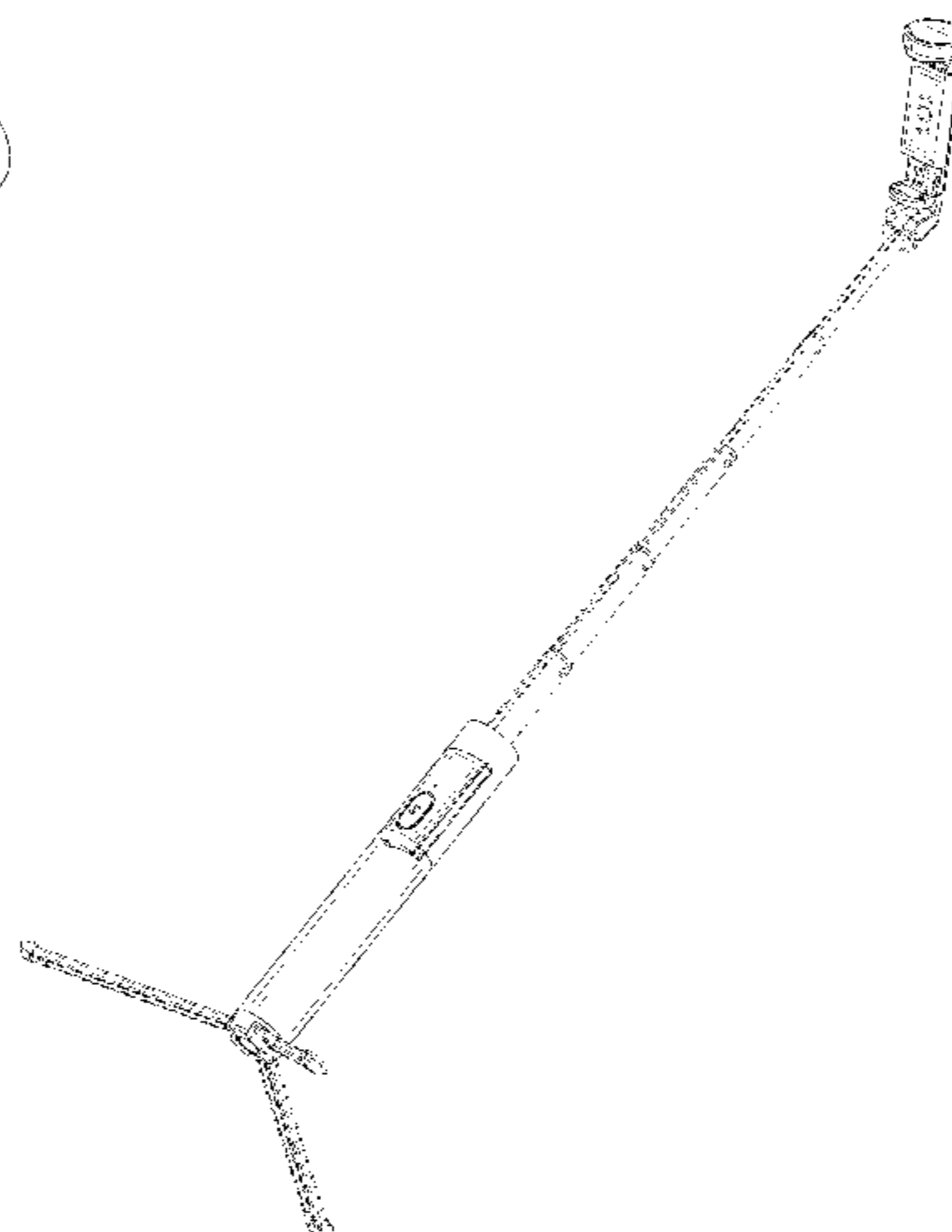
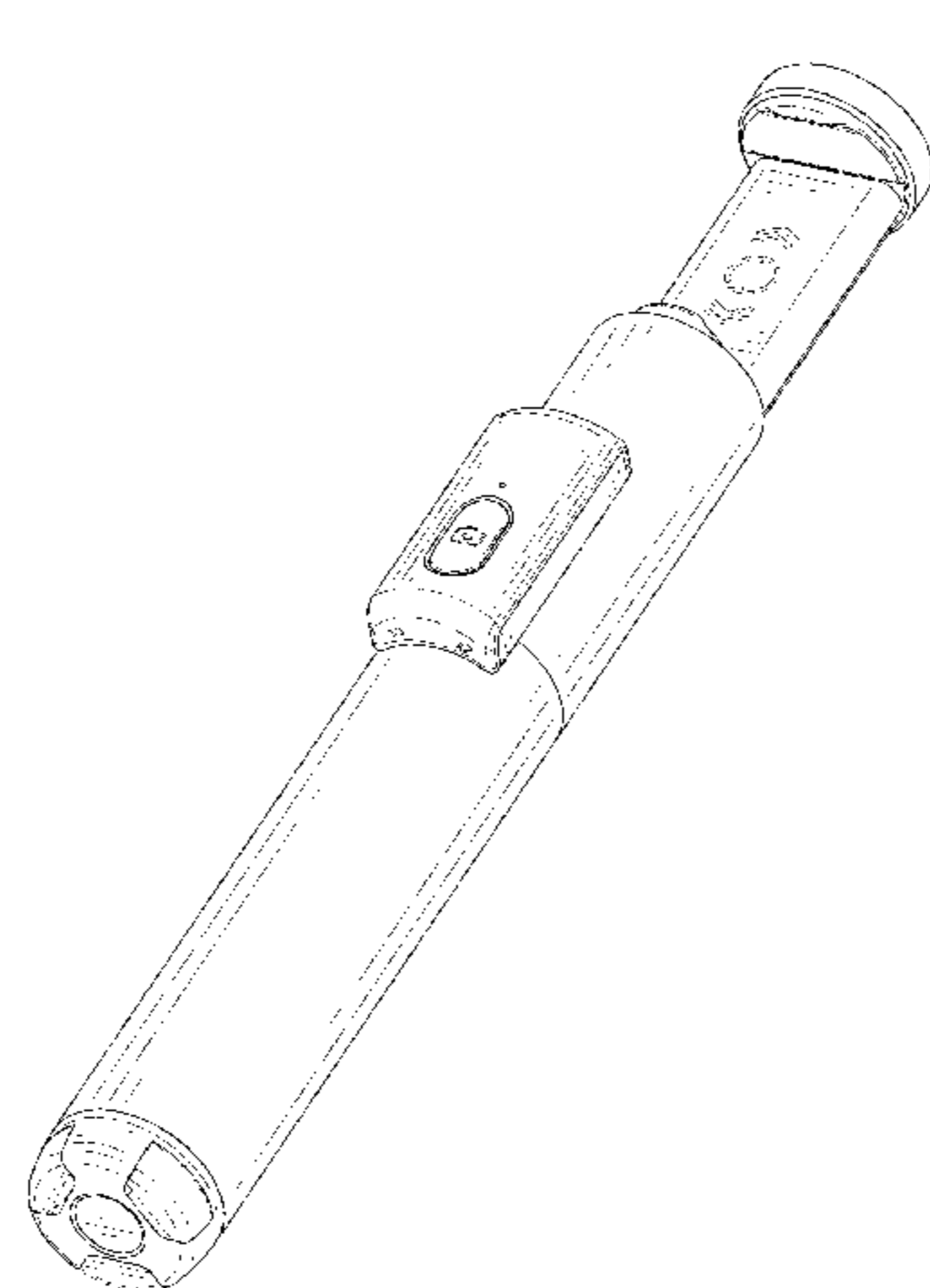


FIG. 23 is a front perspective view of the combined selfie stick and wireless remote in a second alternate configuration of use; and,

FIG. 24 is a front perspective view of the combined selfie stick and wireless remote in a third alternate configuration of use.

The broken lines in the drawings depict portions of the combined selfie stick and wireless remote that form no part of the claimed design.

1 Claim, 24 Drawing Sheets

(58) **Field of Classification Search**

USPC D14/224, 229, 238, 251, 253, 447, 451, D14/457

CPC A45F 5/00; A45F 5/10; A45F 2200/0508-0533; F16M 11/06-10; F16M 11/14; G02B 7/00-002; G03B 17/56; G03B 17/561-566; H04N 5/2253-2254

See application file for complete search history.

(56) **References Cited**

U.S. PATENT DOCUMENTS

D765,649 S * 9/2016 Huang D14/253
 D765,650 S * 9/2016 Huang D14/253

D799,465 S * 10/2017 Sukphist D14/253
 D800,206 S * 10/2017 Moon D16/244
 9,851,625 B1 * 12/2017 Fernandez F16M 11/242
 D821,483 S * 6/2018 Vitale D16/244
 D837,868 S * 1/2019 Shan D16/243
 D841,724 S * 2/2019 Huang D16/243
 10,247,353 B1 * 4/2019 Chen F16B 2/12
 10,302,244 B2 * 5/2019 Lu G03B 17/561
 D852,872 S * 7/2019 Fang D16/243
 D852,873 S * 7/2019 Fang D16/243
 D860,298 S * 9/2019 Balmer D16/244
 D871,492 S * 12/2019 Xiao D16/244
 D881,263 S * 4/2020 Xia D16/245
 D882,672 S * 4/2020 Xia D16/243
 D883,369 S * 5/2020 Xia D16/243
 10,718,466 B2 * 7/2020 Chen F16M 11/38
 D893,582 S * 8/2020 Vitale D16/244
 2020/0217452 A1 * 7/2020 Shan G03B 17/40

OTHER PUBLICATIONS

Lightweight Aluminum All in One Selfie Stick Tripod with Wireless Remote. [online] Retrieved Nov. 14, 2020 from URL: https://miracase.com/products/lightweight-aluminum-all-in-one-selfie-stick-tripod-with-wireless-remote.*

* cited by examiner

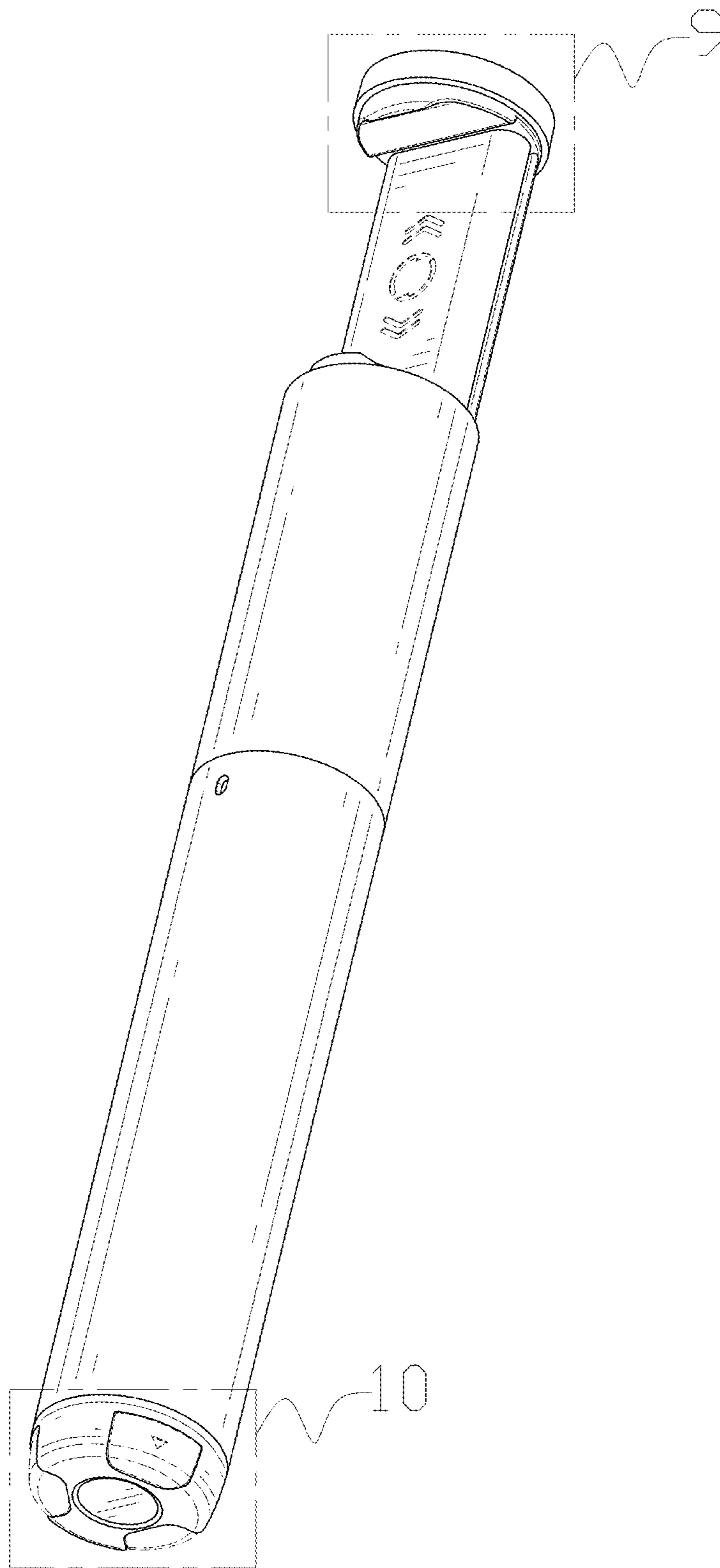


FIG. 1

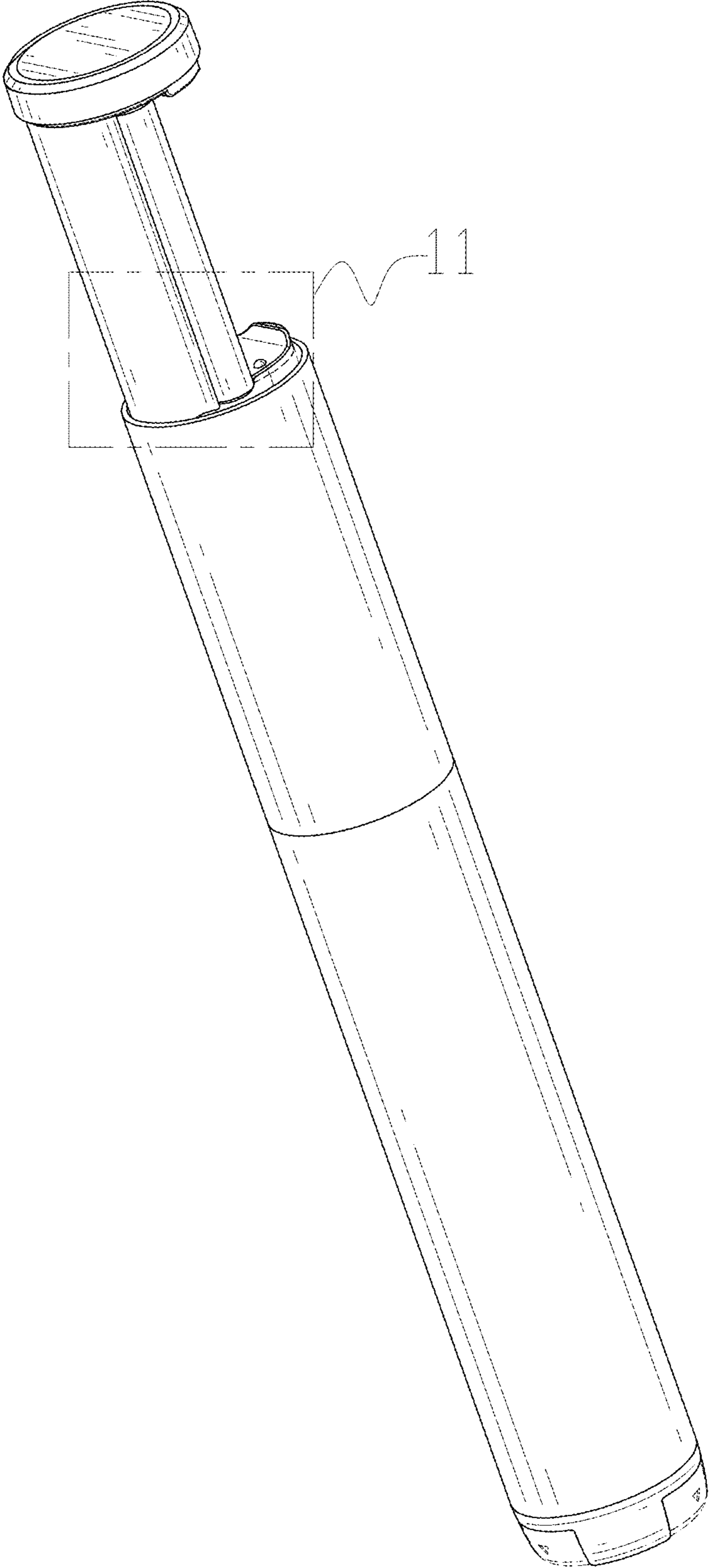


FIG. 2

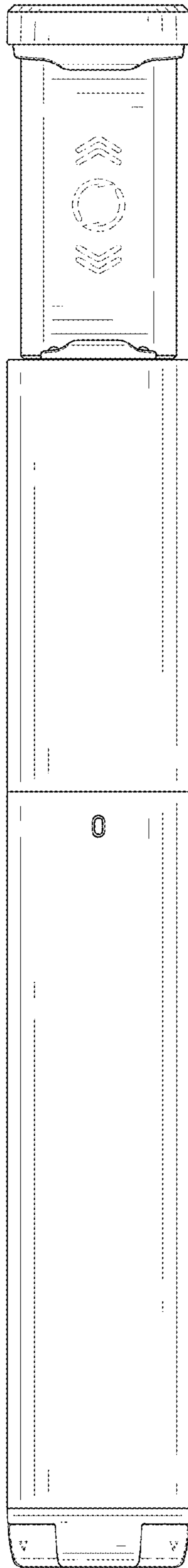


FIG. 3

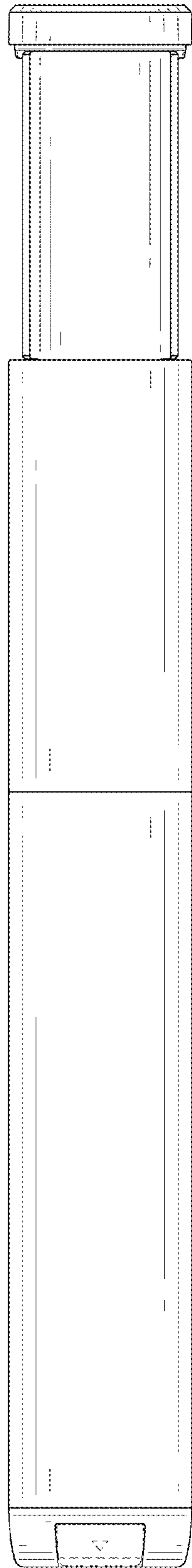


FIG. 4

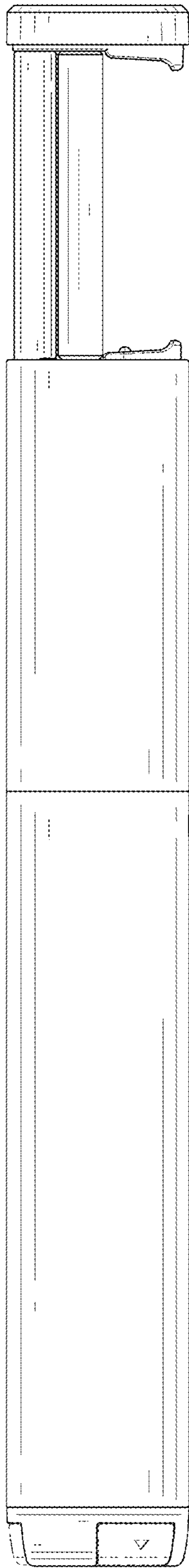


FIG. 5

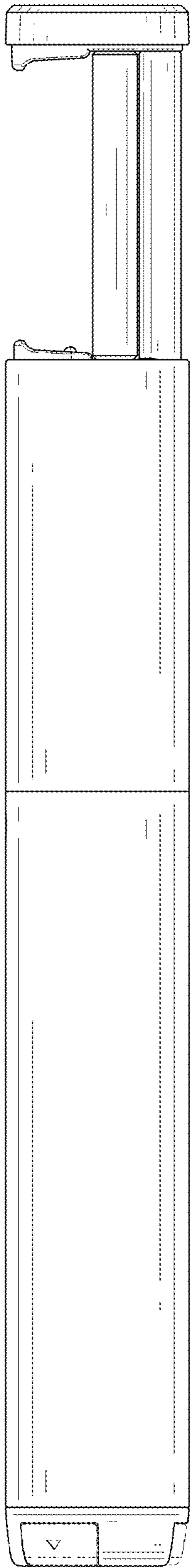


FIG. 6

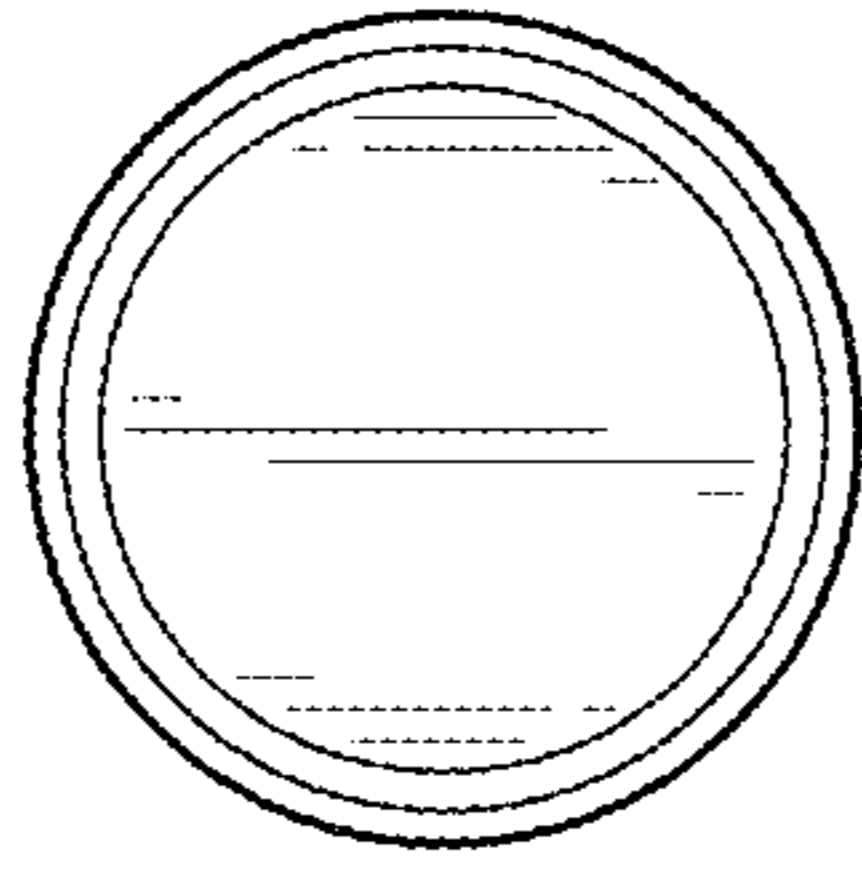


FIG. 7

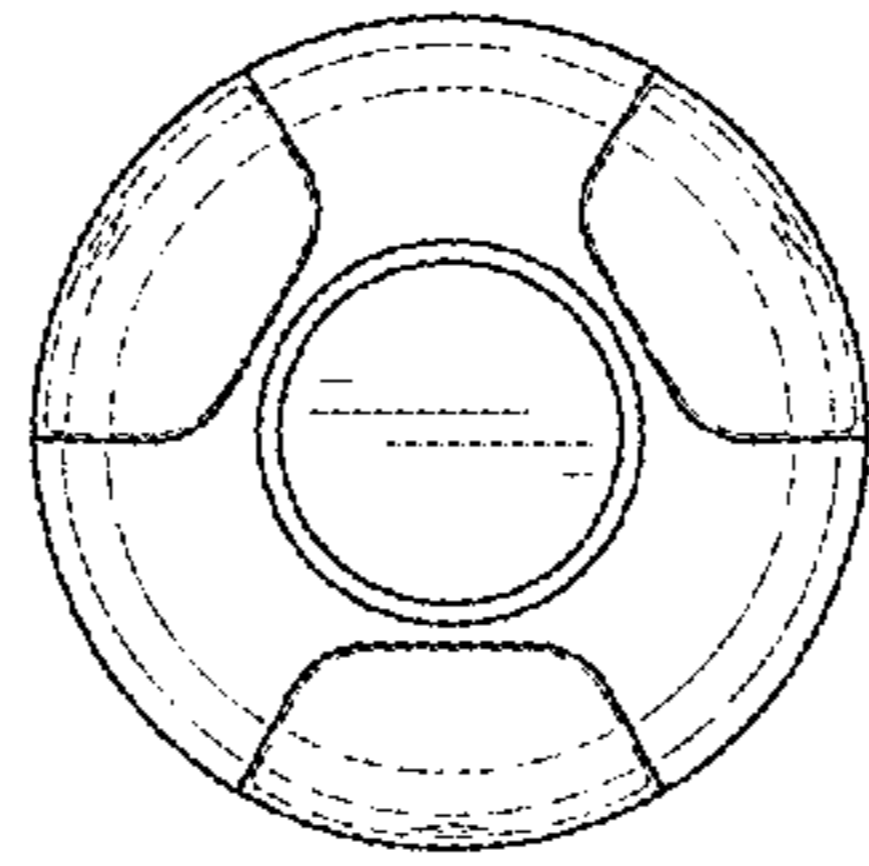


FIG. 8

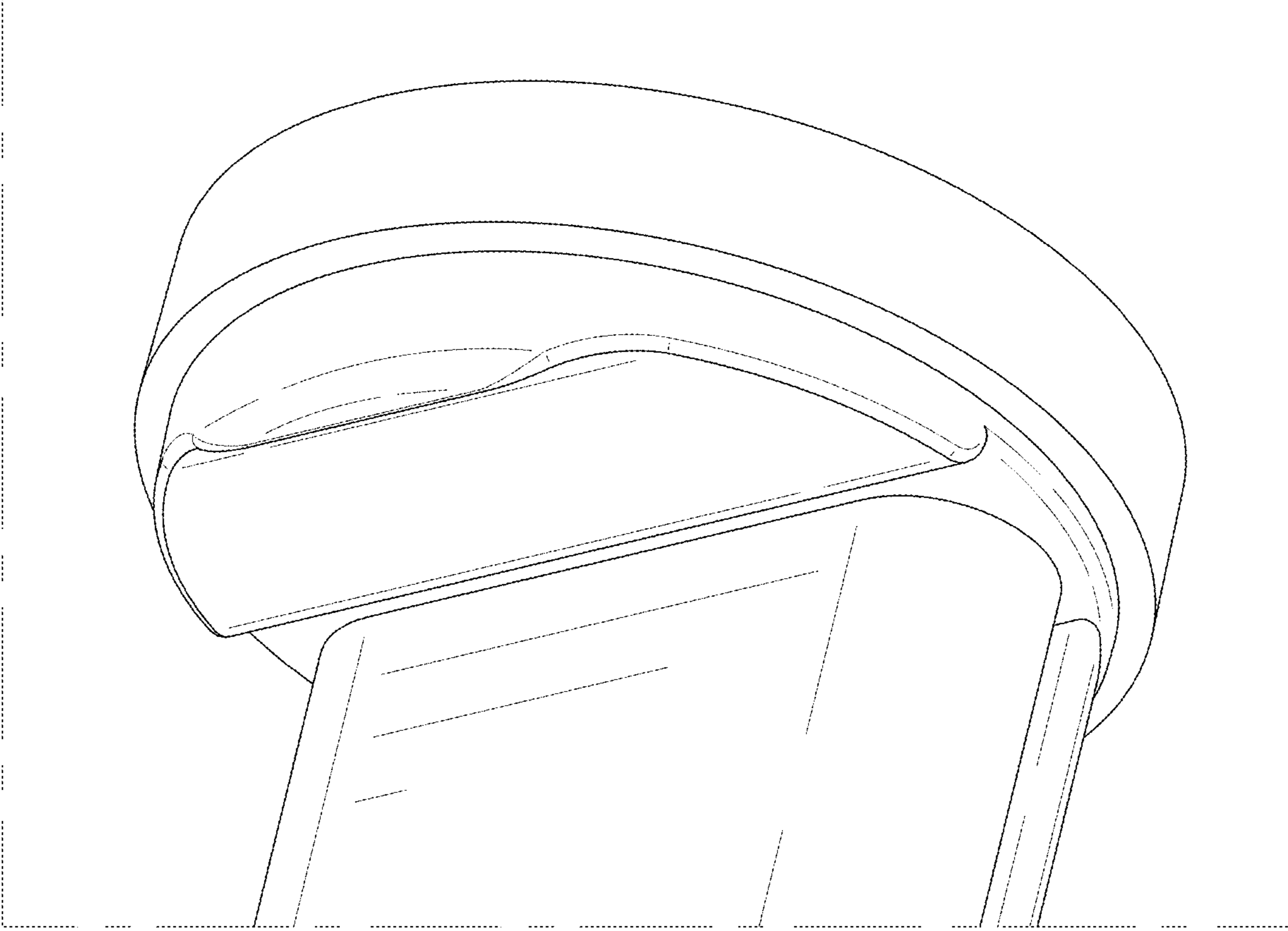


FIG. 9

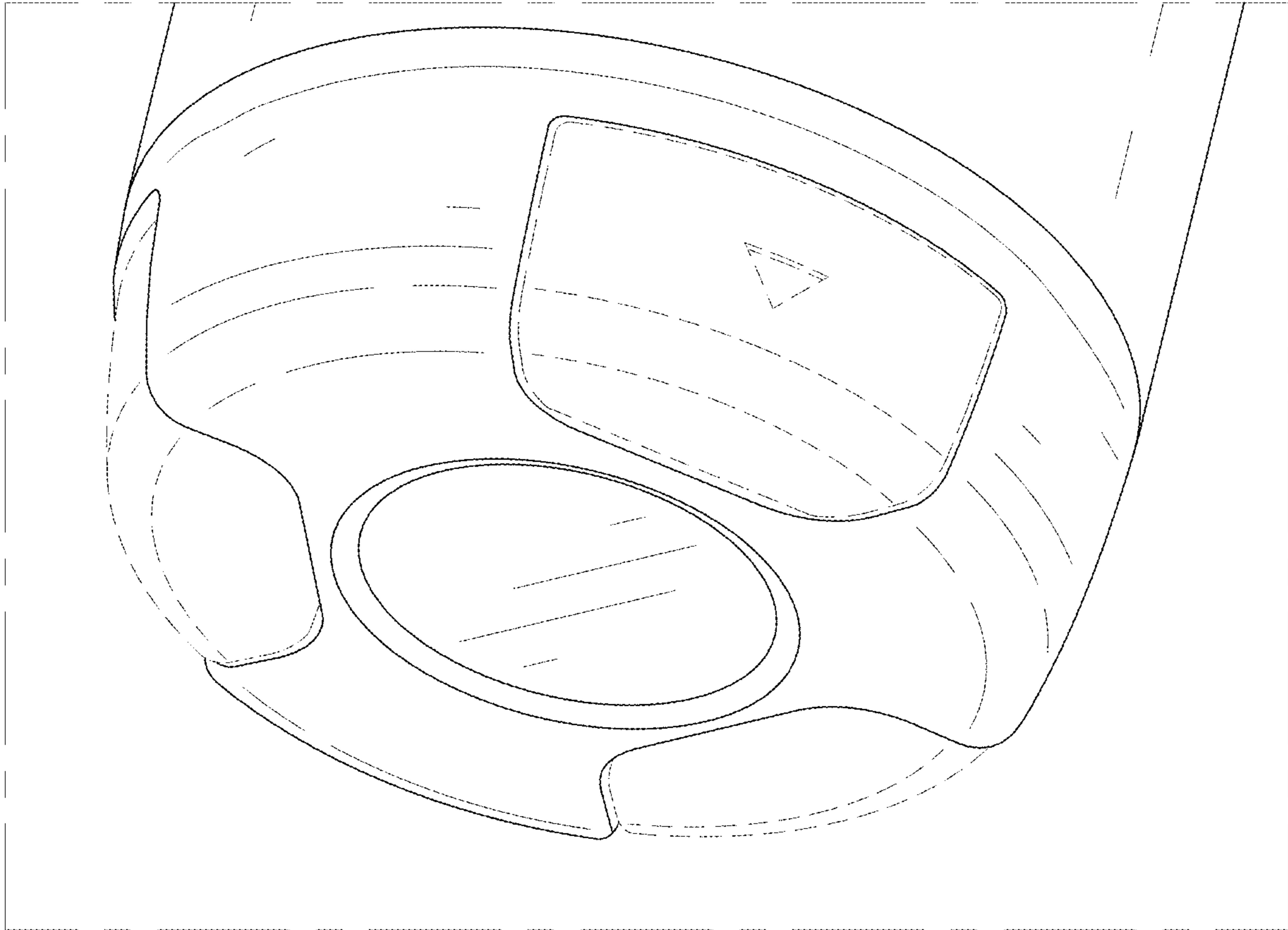


FIG. 10

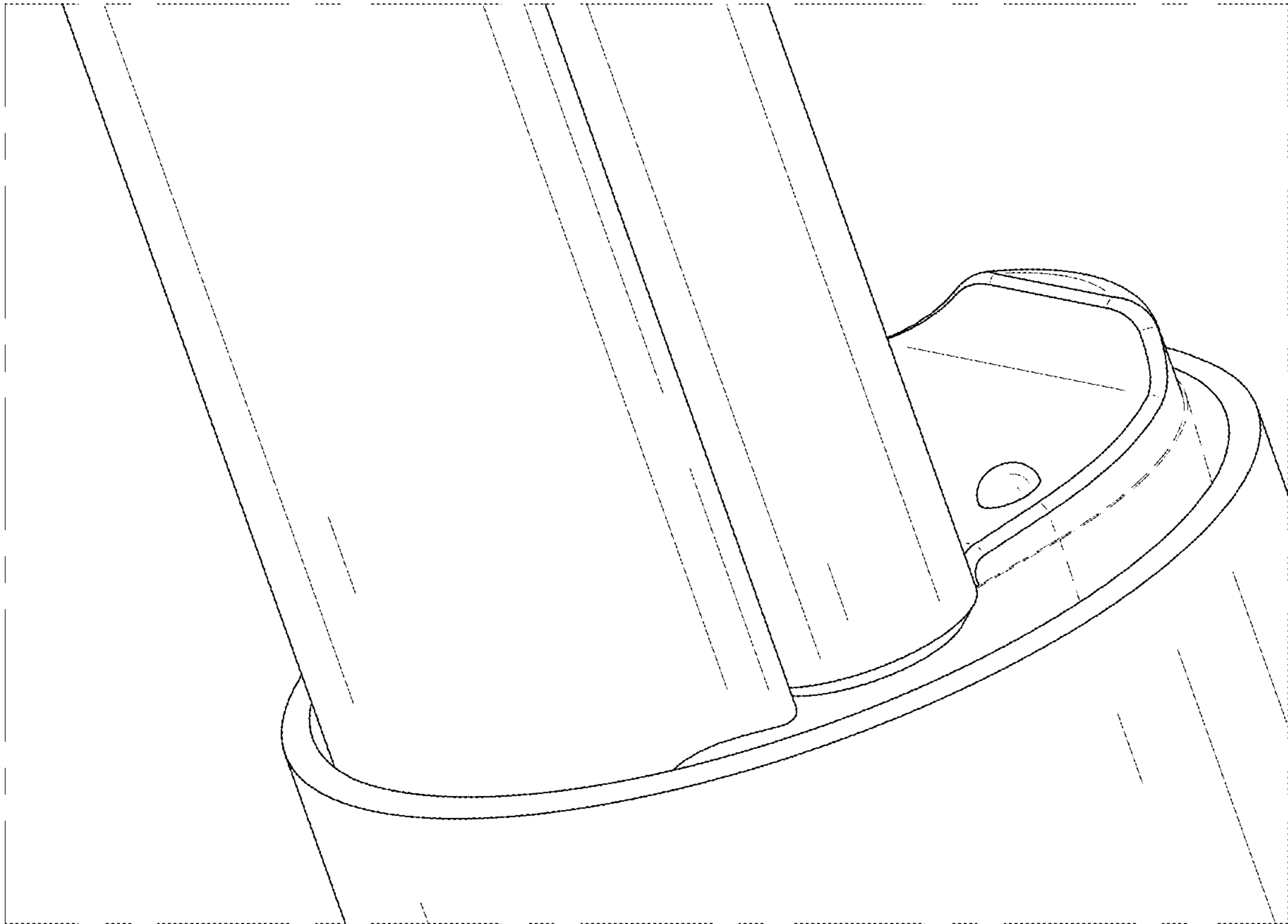


FIG. 11

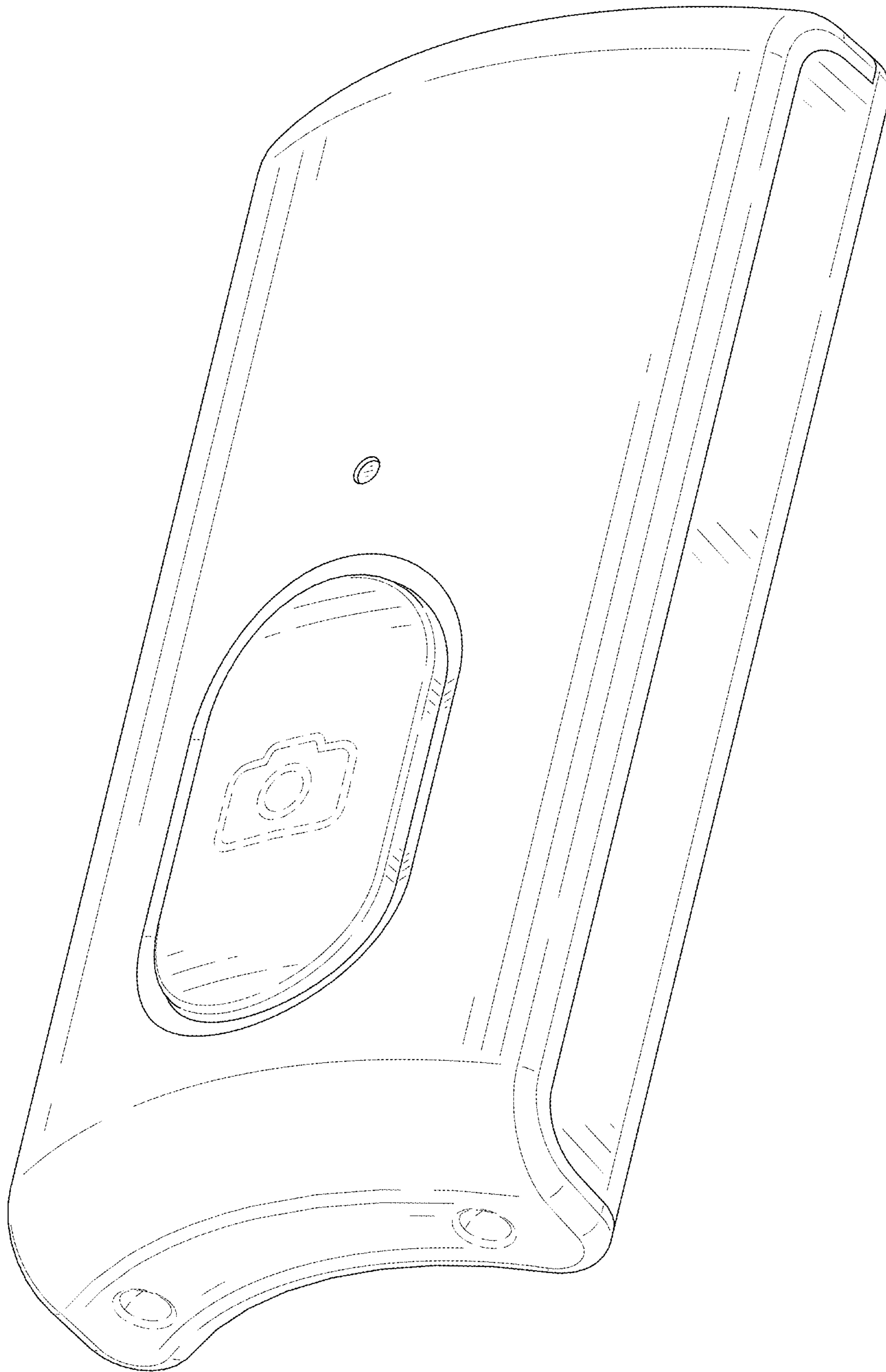


FIG. 12

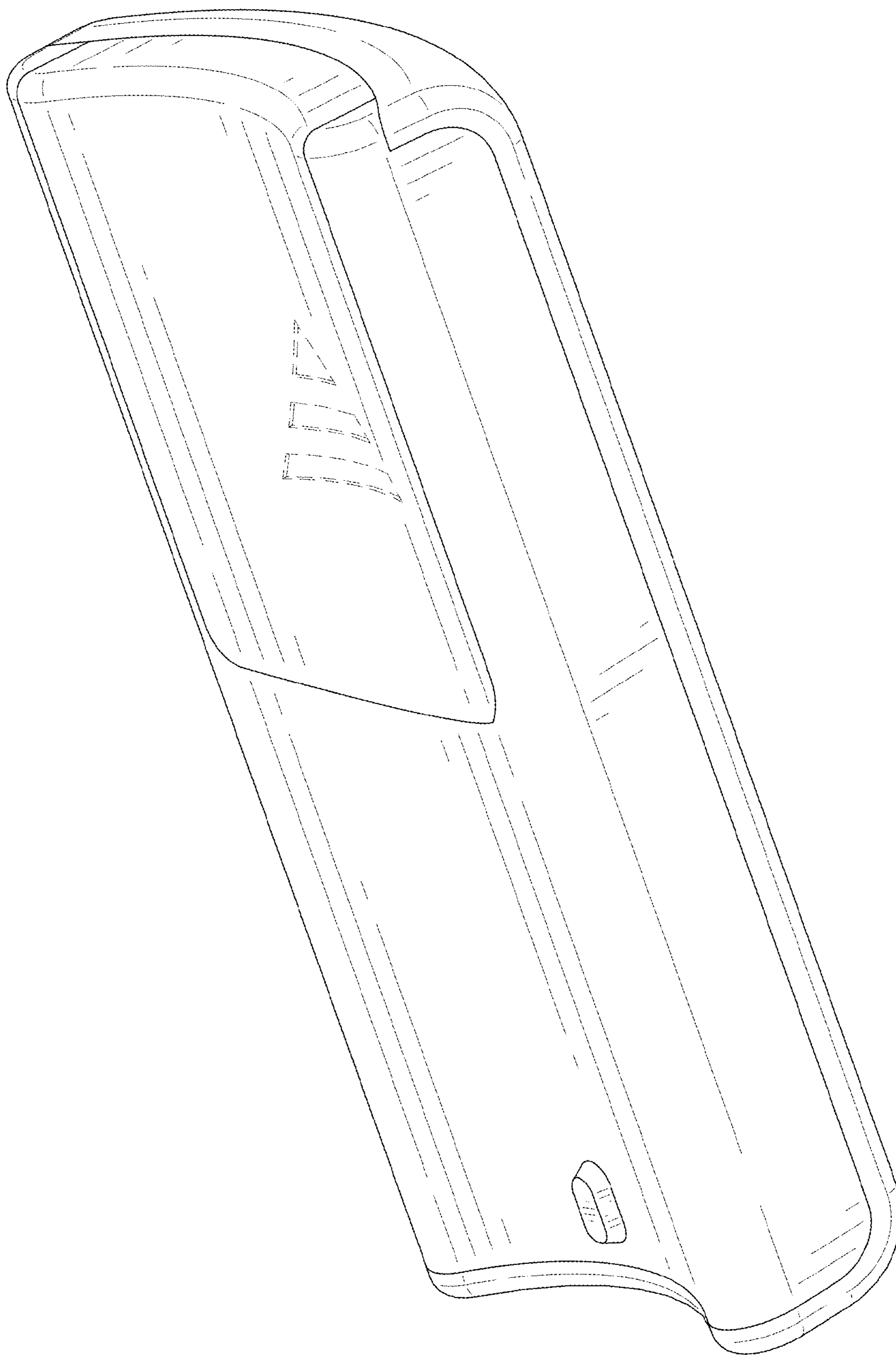


FIG. 13

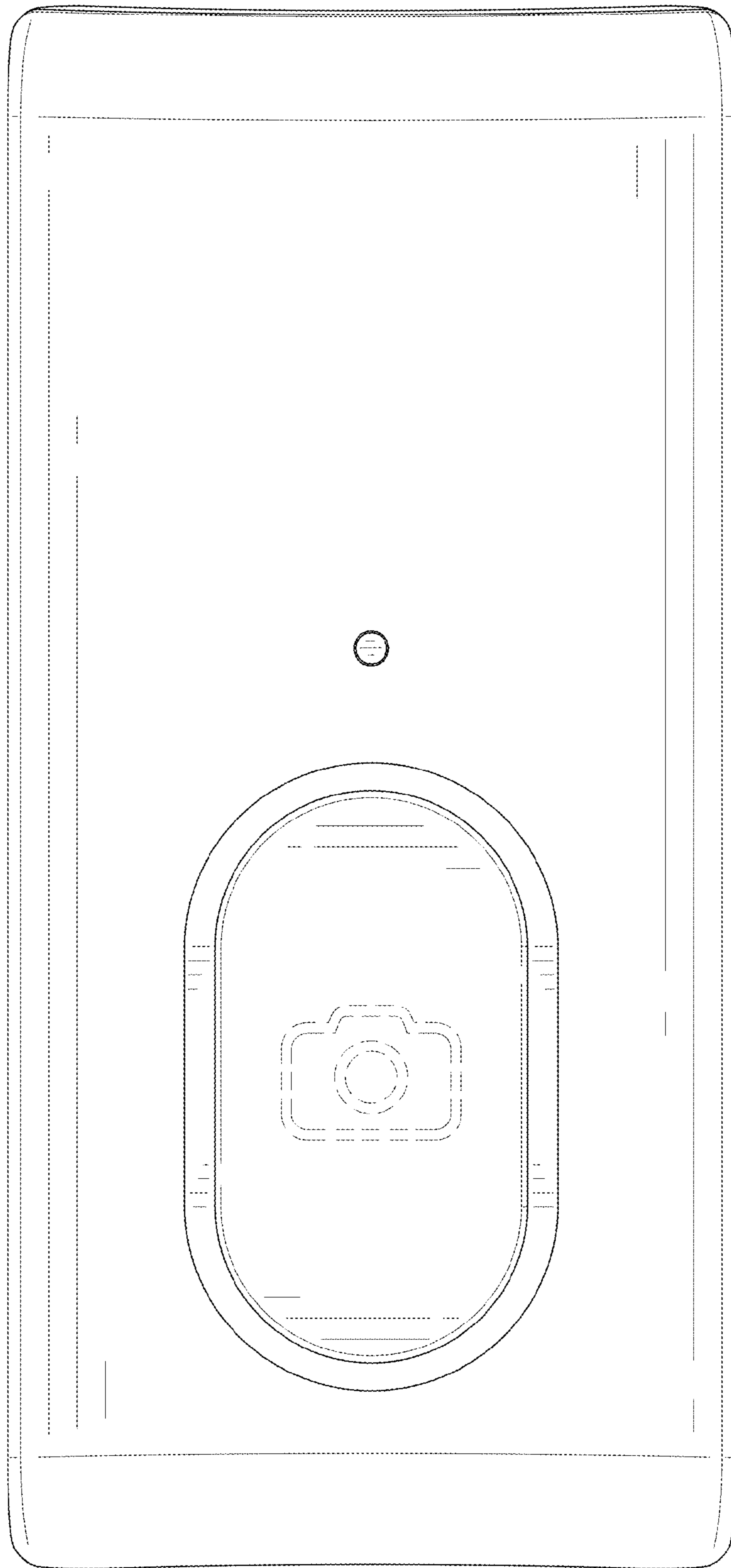


FIG. 14

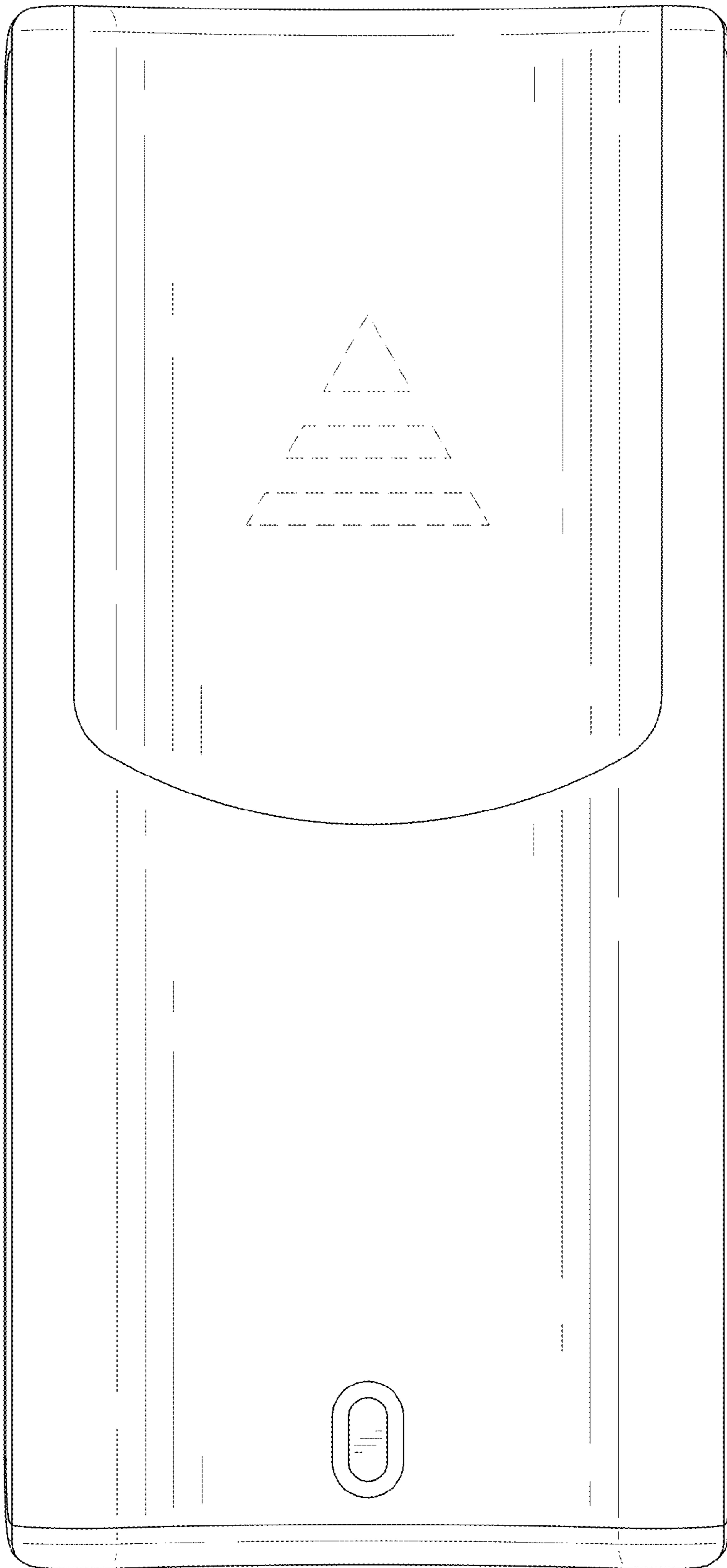


FIG. 15

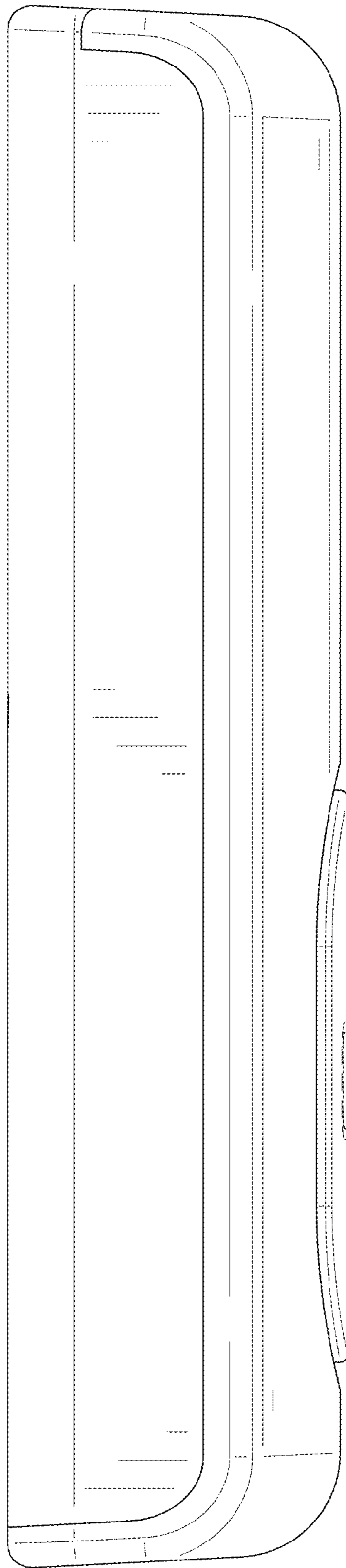


FIG. 16

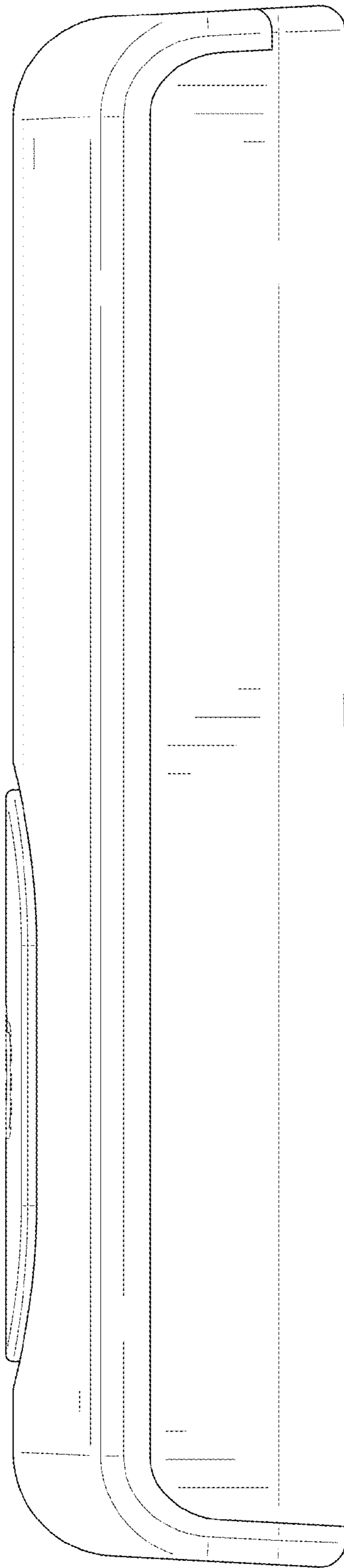


FIG. 17

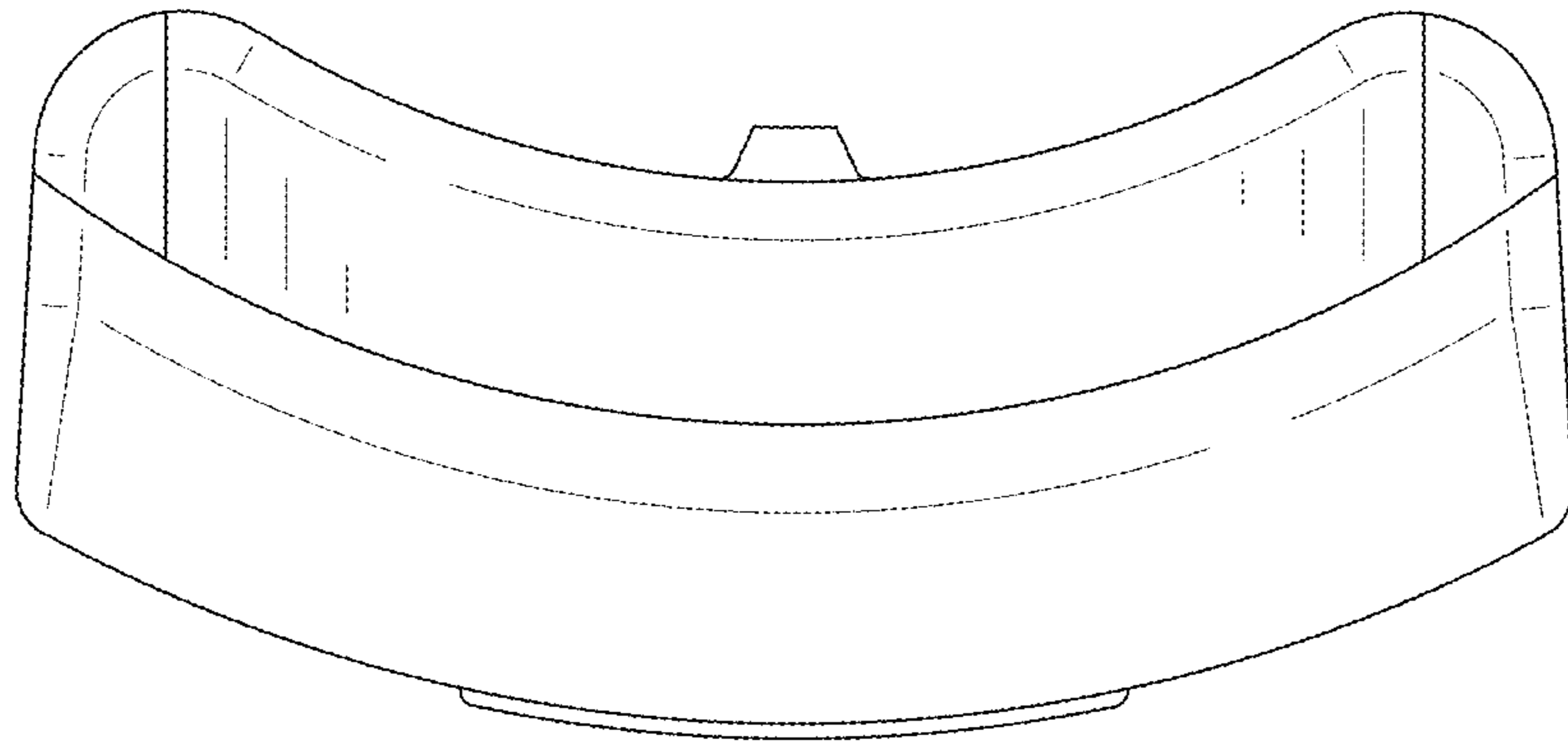


FIG. 18

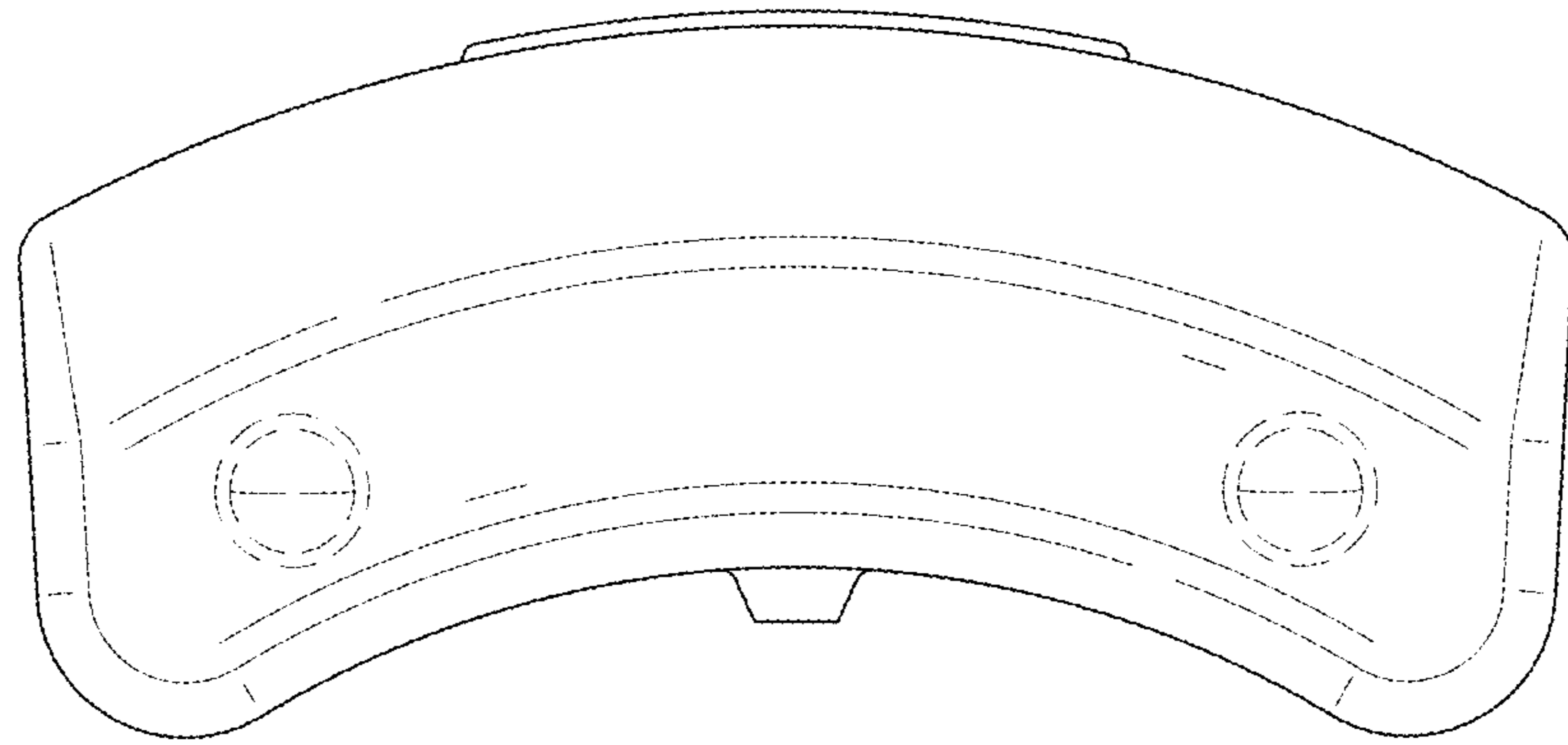


FIG. 19

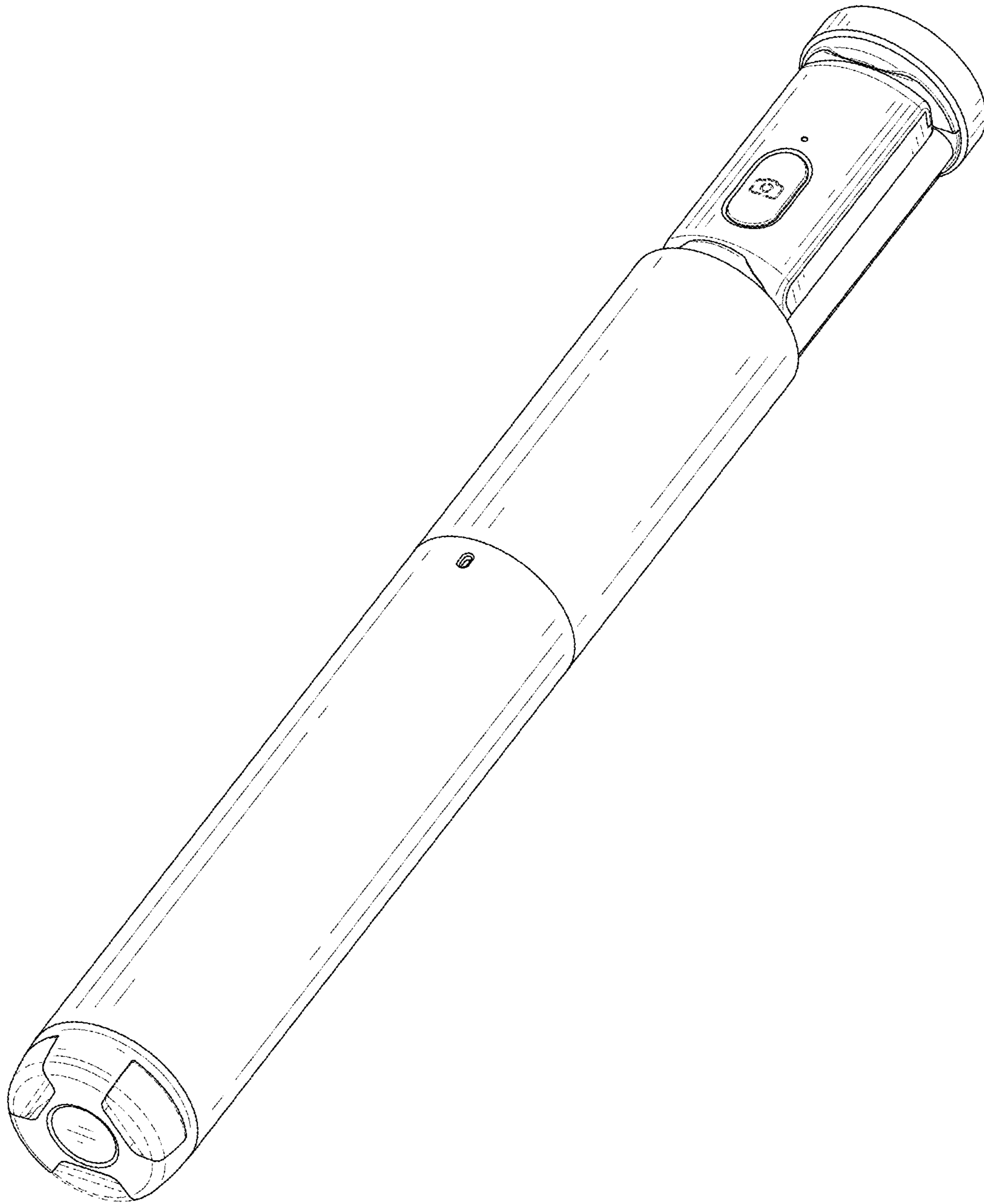


FIG. 20

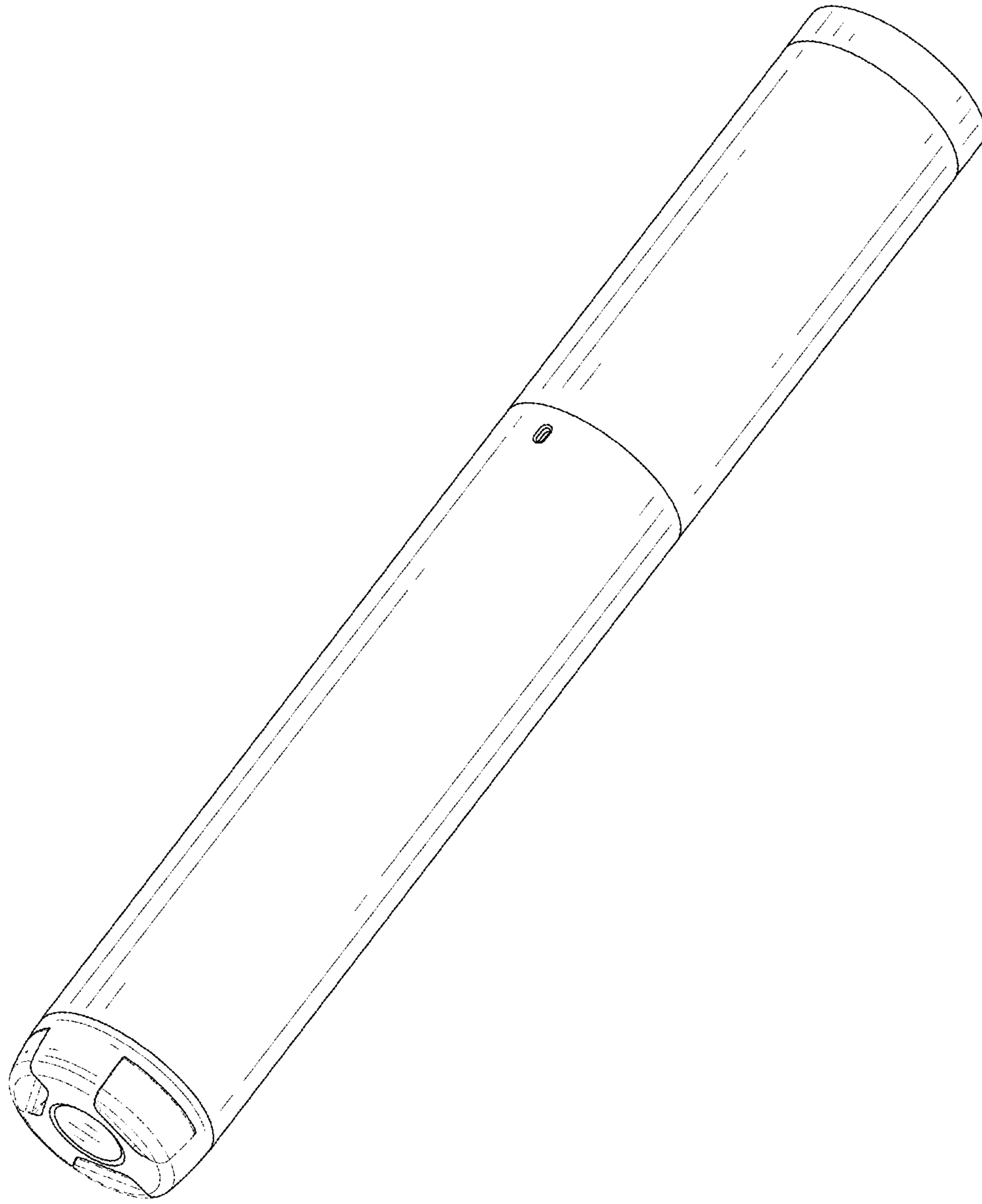


FIG. 21

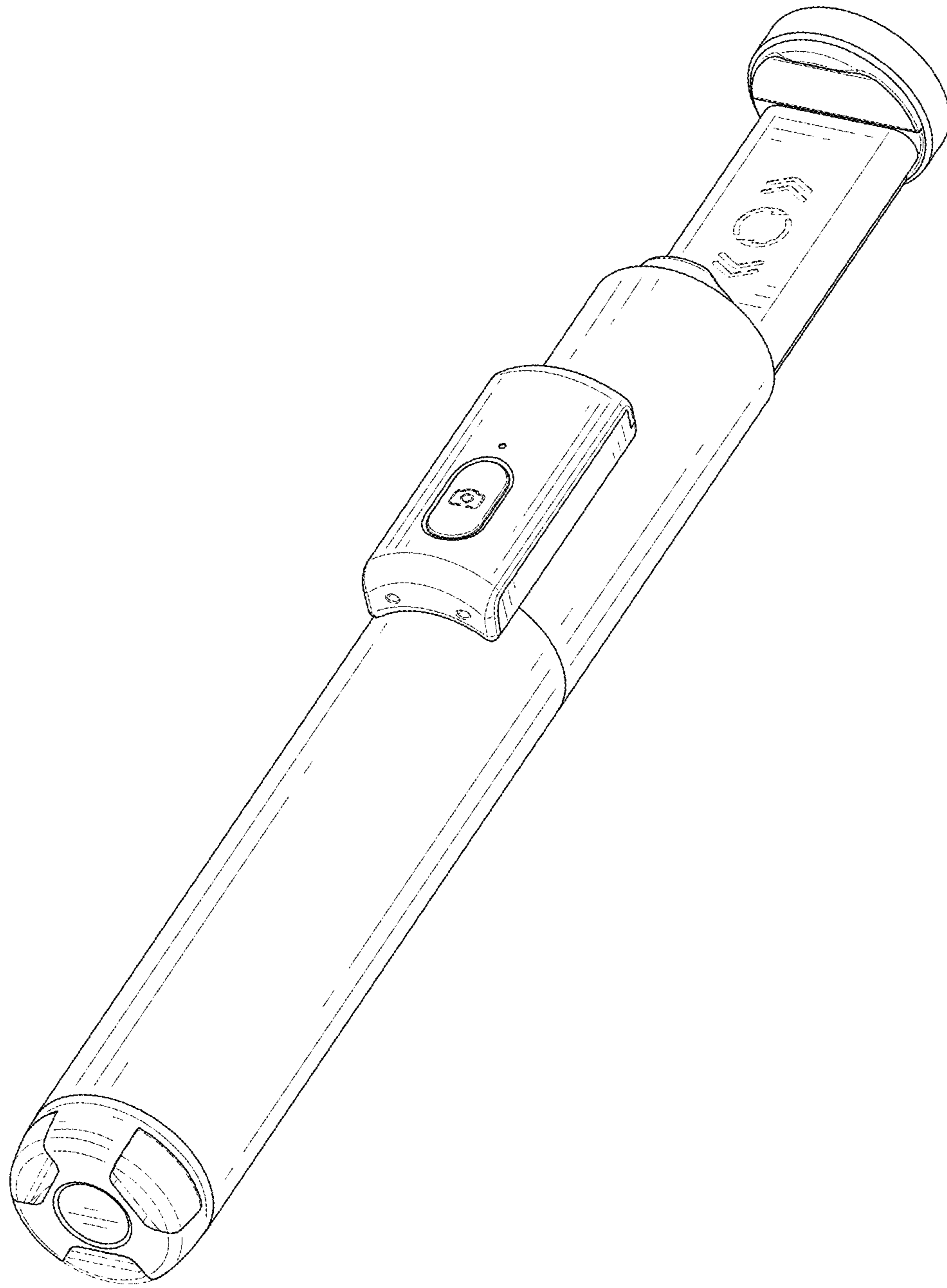


FIG. 22

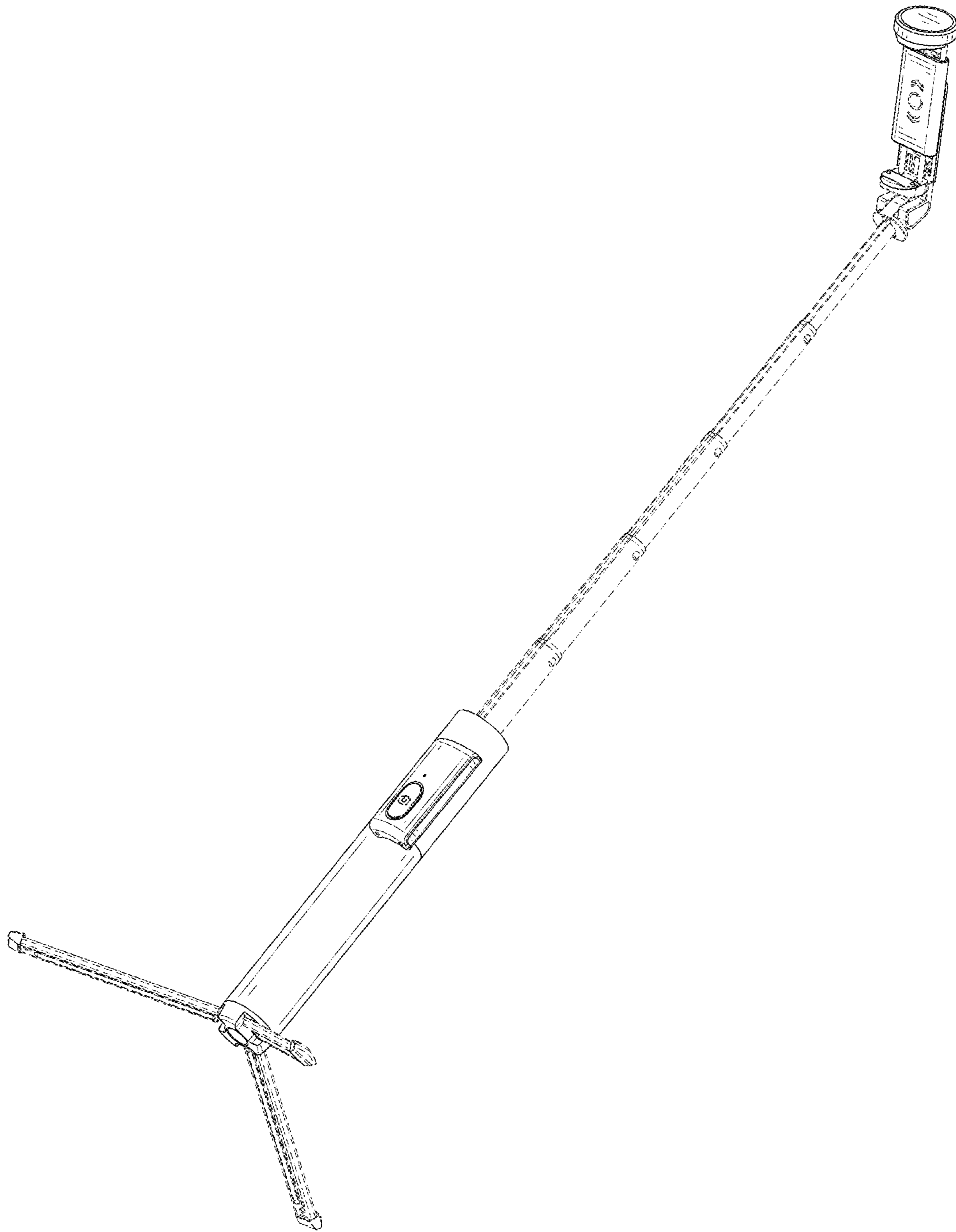


FIG. 23

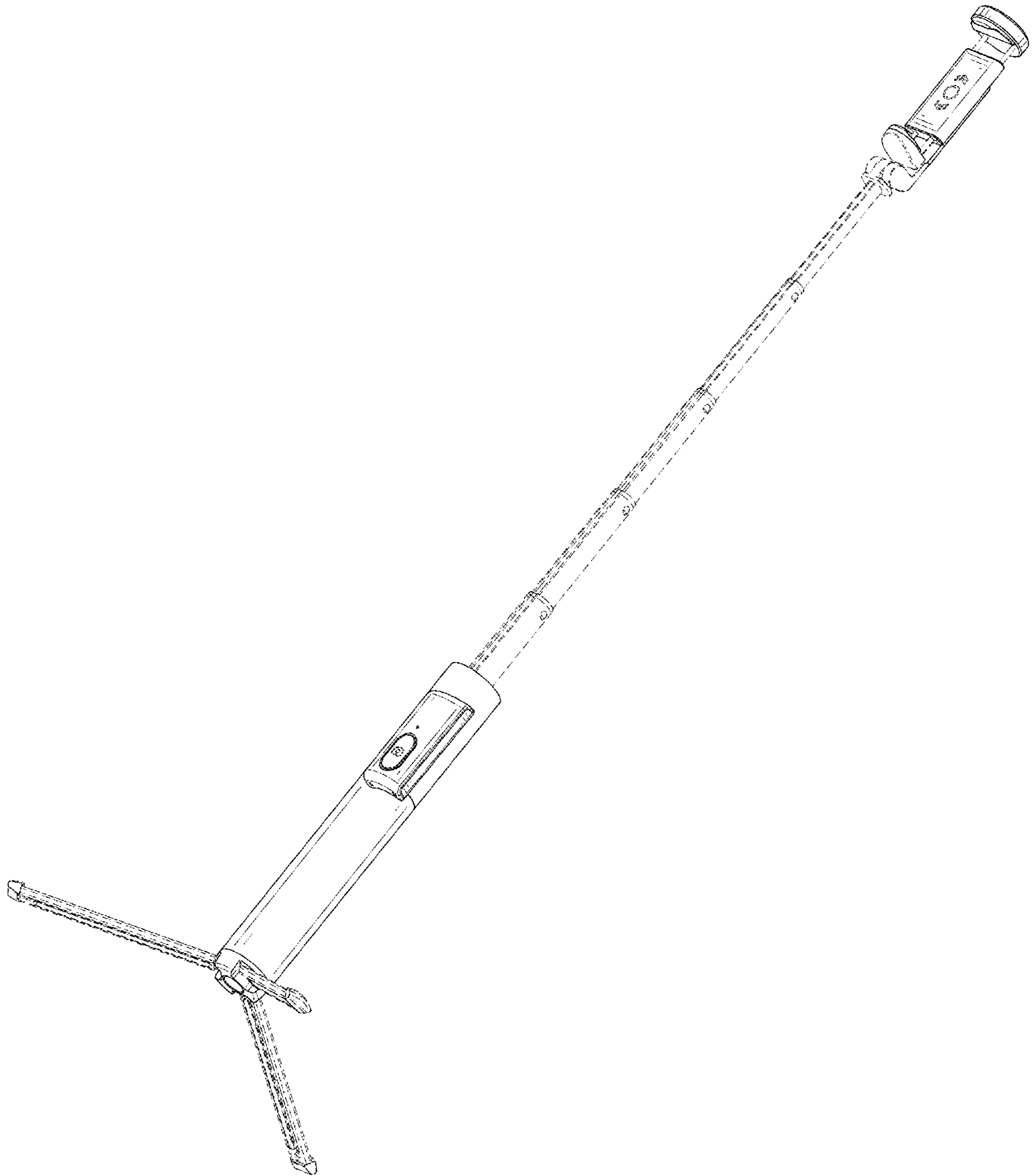


FIG. 24