



US00D911424S

(12) **United States Design Patent**  
**Wang et al.**

(10) **Patent No.:** **US D911,424 S**  
(45) **Date of Patent:** **\*\* Feb. 23, 2021**

(54) **SIDE HANDLE FOR PHOTOGRAPHY DEVICE**

(71) Applicant: **Shenzhen Leqi Network Technology Co., Ltd, Shenzhen (CN)**

(72) Inventors: **Huabiao Wang, Shenzhen (CN); Xingxing Yuan, Shenzhen (CN)**

(73) Assignee: **Shenzhen Leqi Network Technology Co., LTD, Shenzhen (CN)**

(\*\*) Term: **15 Years**

(21) Appl. No.: **29/686,139**

(22) Filed: **Apr. 2, 2019**

(51) **LOC (13) Cl.** ..... **16-05**

(52) **U.S. Cl.**  
USPC ..... **D16/243; D16/237**

(58) **Field of Classification Search**  
USPC ..... D16/219, 237-250, 244; D14/229, 238, D14/251, 253, 447, 451, 457; D8/354, D8/355, 363, 373, 382-383, 394-396  
CPC ..... A45F 2200/0508-0533; A45F 5/00; A45F 5/10; F16M 11/06-10; F16M 11/14; G02B 7/00-002; G03B 17/56; G03B 17/561-566; H04N 5/2253-2254  
See application file for complete search history.

(56) **References Cited**

**U.S. PATENT DOCUMENTS**

D159,836 S *	8/1950	Nerman	.....	D16/243
D231,402 S *	4/1974	Bourke	.....	D16/243
D320,995 S *	10/1991	Fukuda	.....	396/420
D641,871 S *	7/2011	Tenger	.....	D24/133
8,328,359 B2 *	12/2012	Monroe	.....	F16M 13/04 352/243
8,373,762 B2 *	2/2013	Cottagnoud	.....	G05G 1/06 348/211.7
D689,539 S *	9/2013	Zaletel	.....	D16/242
D730,973 S *	6/2015	Orton	.....	D16/243

D735,832 S *	8/2015	Fitzpatrick	.....	D22/108
9,264,599 B2 *	2/2016	Reid	.....	F16B 21/04
D762,257 S *	7/2016	Sawitz	.....	D16/243
D769,398 S *	10/2016	Lam	.....	D22/108
D774,156 S *	12/2016	Esch	.....	D22/108
D791,760 S *	7/2017	Kim	.....	D14/253

(Continued)

**OTHER PUBLICATIONS**

SmallRig Aluminum Arri Locating Side Handle 2426. [online] Retrieved Jul. 30, 2020 from URL: <https://smallrig.kr/products/smallrig-aluminum-arri-locating-side-handle-2426>.\*

(Continued)

*Primary Examiner* — Vy N Koenig

(74) *Attorney, Agent, or Firm* — Andrew C. Cheng

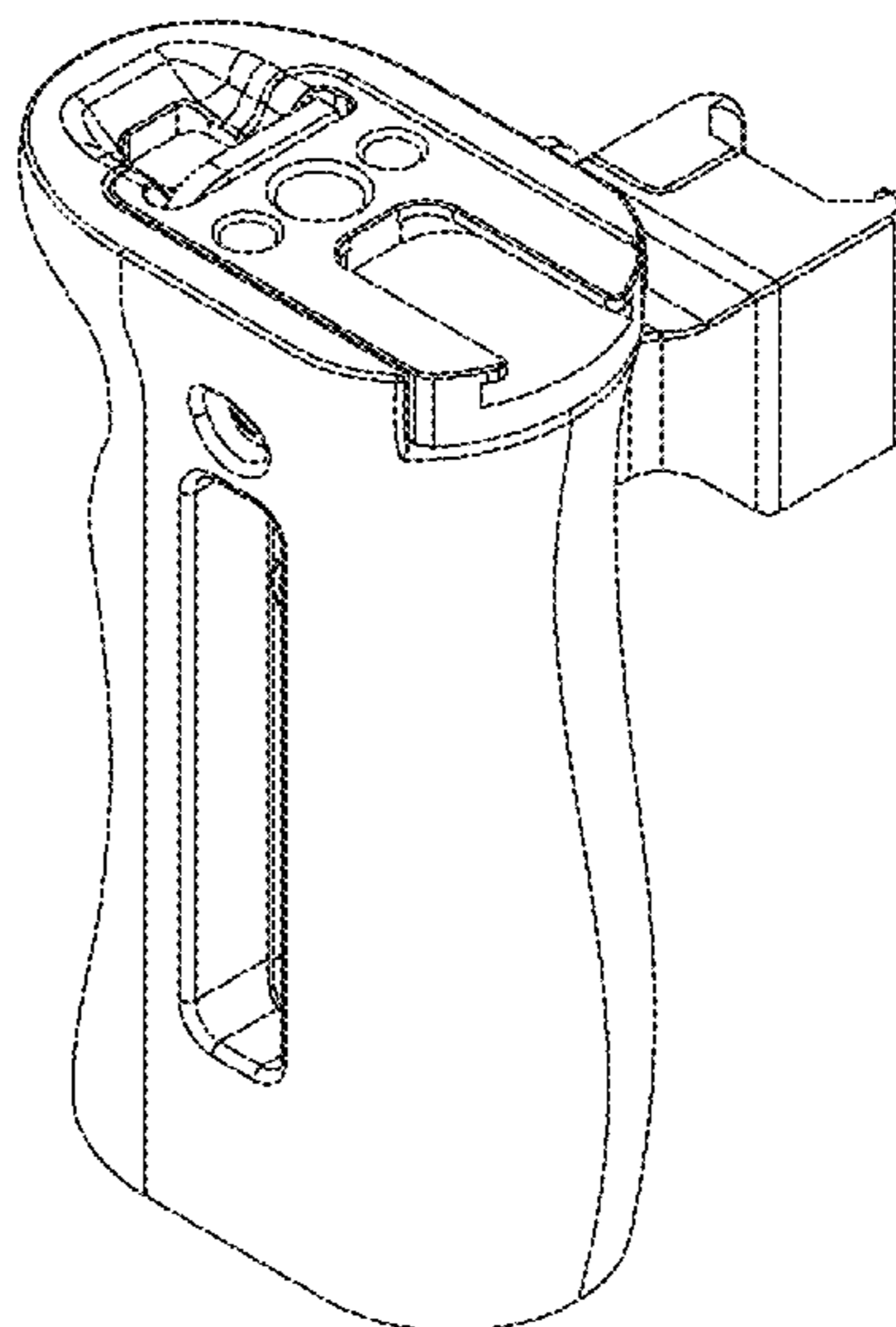
(57) **CLAIM**

The ornamental design for a side handle for photography device, as shown and described.

**DESCRIPTION**

FIG. 1 is a front view of a side holder for photography device according to the present design; FIG. 2 is a rear view of the side holder for photography device of FIG. 1; FIG. 3 is a left view of the side holder for photography device of FIG. 1; FIG. 4 is a right view of the side holder for photography device of FIG. 1; FIG. 5 is a top view of the side holder for photography device of FIG. 1; FIG. 6 is a bottom view of the side holder for photography device of FIG. 1; and, FIG. 7 is a perspective view of the side holder for photography device of FIG. 1. The broken lines shown in the drawings depict portions of the side handle for photography device that form no part of the claimed design.

**1 Claim, 4 Drawing Sheets**



(56)

**References Cited**

U.S. PATENT DOCUMENTS

D805,120 S \* 12/2017 Morishita ..... D16/243  
9,844,159 B1 \* 12/2017 Liniger ..... A45F 5/10  
D812,708 S \* 3/2018 Hartley ..... D22/109  
D815,180 S \* 4/2018 Kim ..... D16/206  
D821,529 S \* 6/2018 Cheng ..... D22/108  
D836,699 S \* 12/2018 Kim ..... D16/206  
D842,919 S \* 3/2019 Zeng ..... D16/237  
10,264,860 B1 \* 4/2019 Rau ..... A45B 9/02  
D849,177 S \* 5/2019 Willits ..... D22/108  
D877,233 S \* 3/2020 Li ..... D16/243  
D888,813 S \* 6/2020 Boerup ..... D16/242  
2011/0169481 A1 \* 7/2011 Nguyen ..... B25F 5/02  
324/126

OTHER PUBLICATIONS

SmallRig Wooden Side Handle with NATO Clamp . [online]  
Published on Jan. 10, 2020. Retrieved Jul. 30, 2020 from URL:  
[https://www.bhphotovideo.com/c/product/1496625-Reg/smallrig-2187b\\_wooden\\_nato\\_side\\_handle.html](https://www.bhphotovideo.com/c/product/1496625-Reg/smallrig-2187b_wooden_nato_side_handle.html).\*

\* cited by examiner

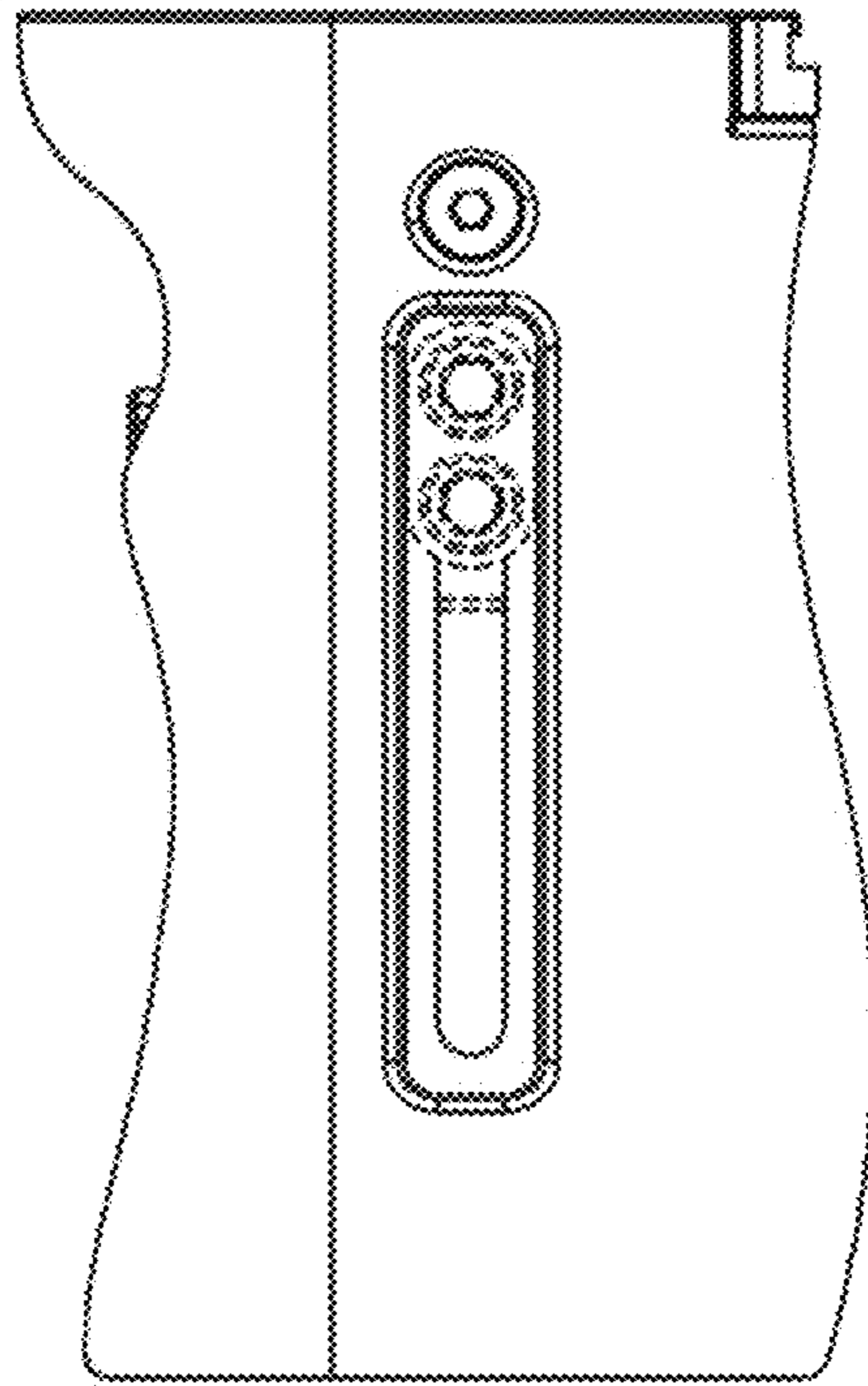


FIG. 1

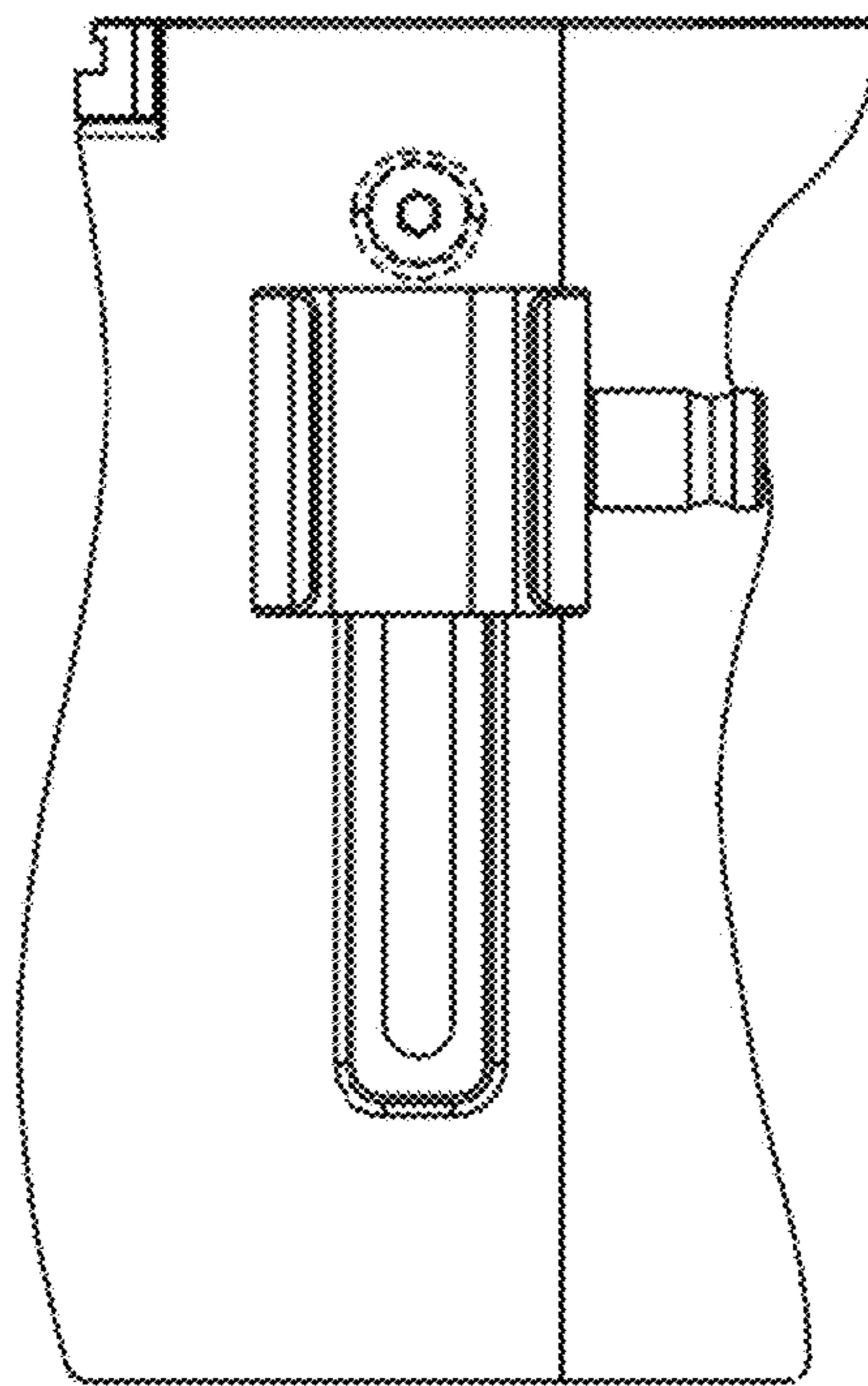


FIG. 2

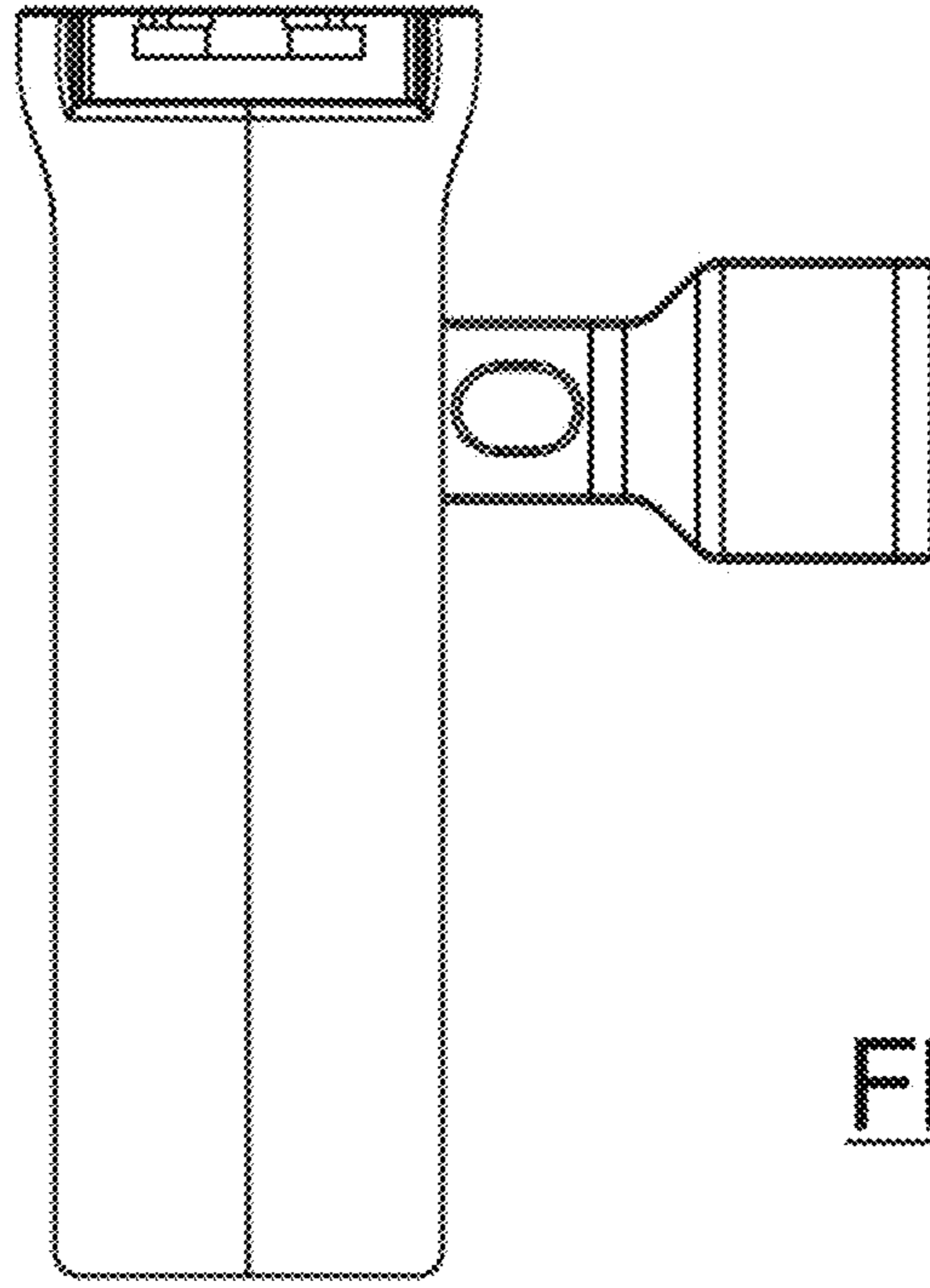


FIG. 3

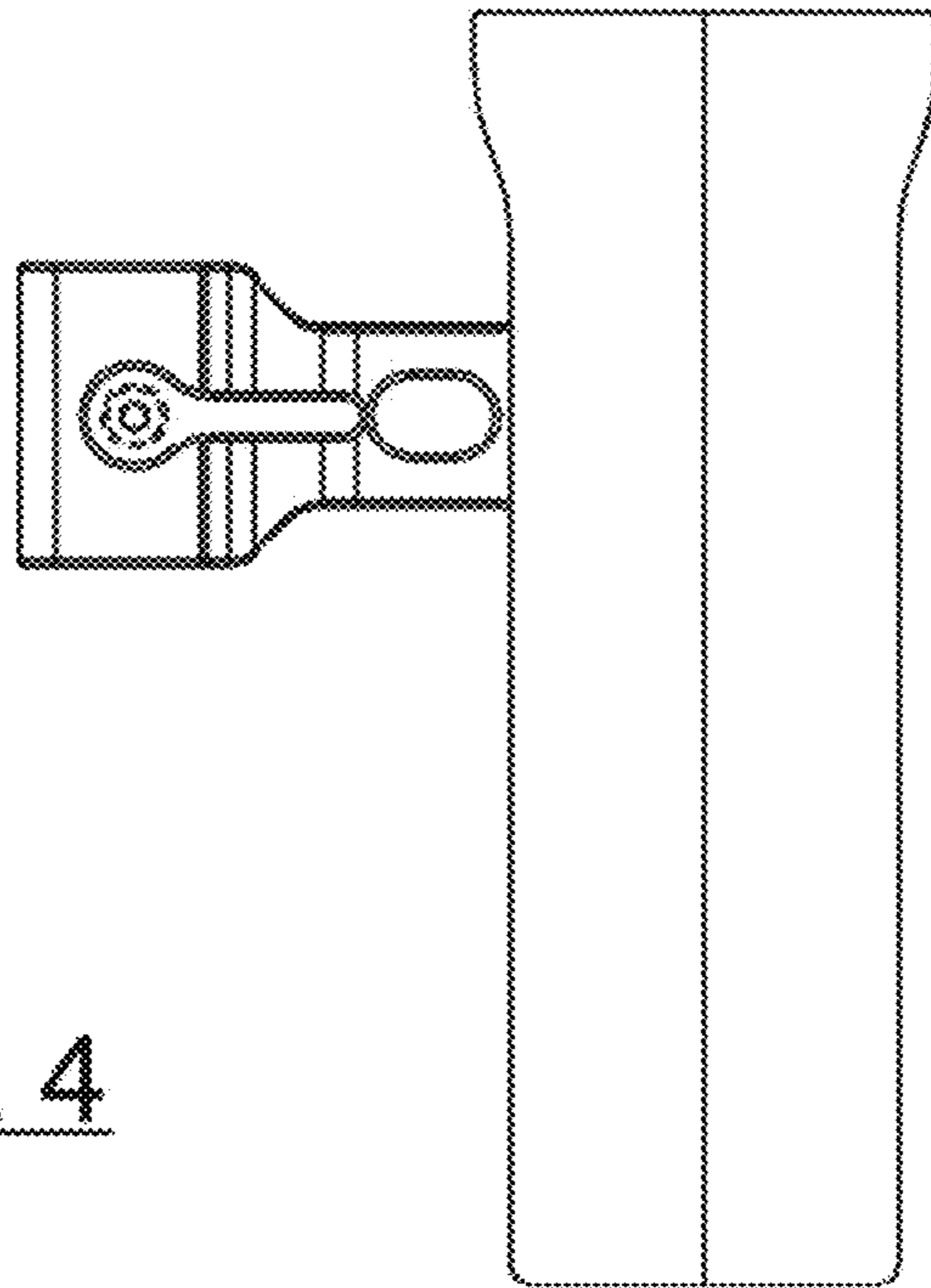


FIG. 4

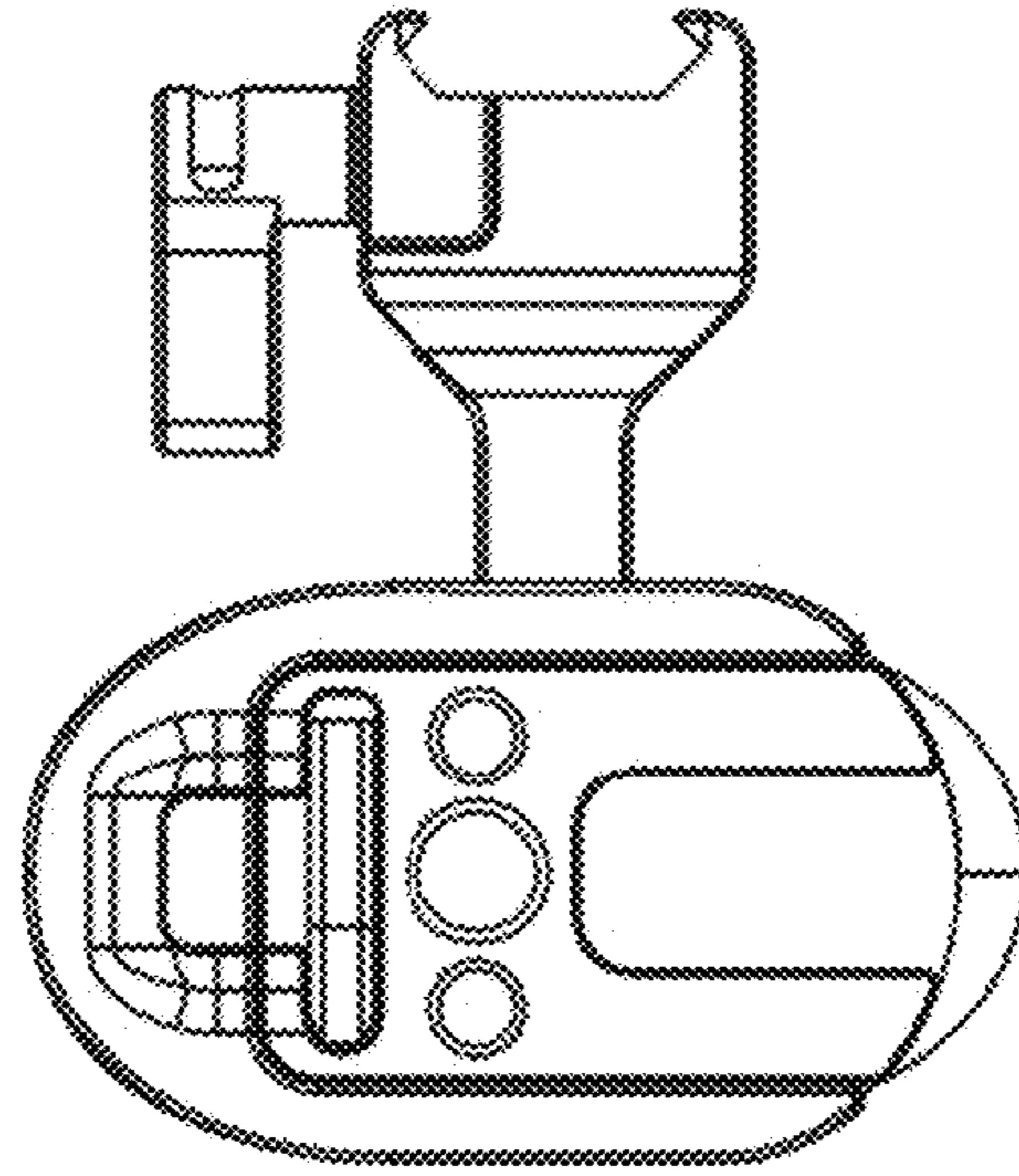


FIG. 5

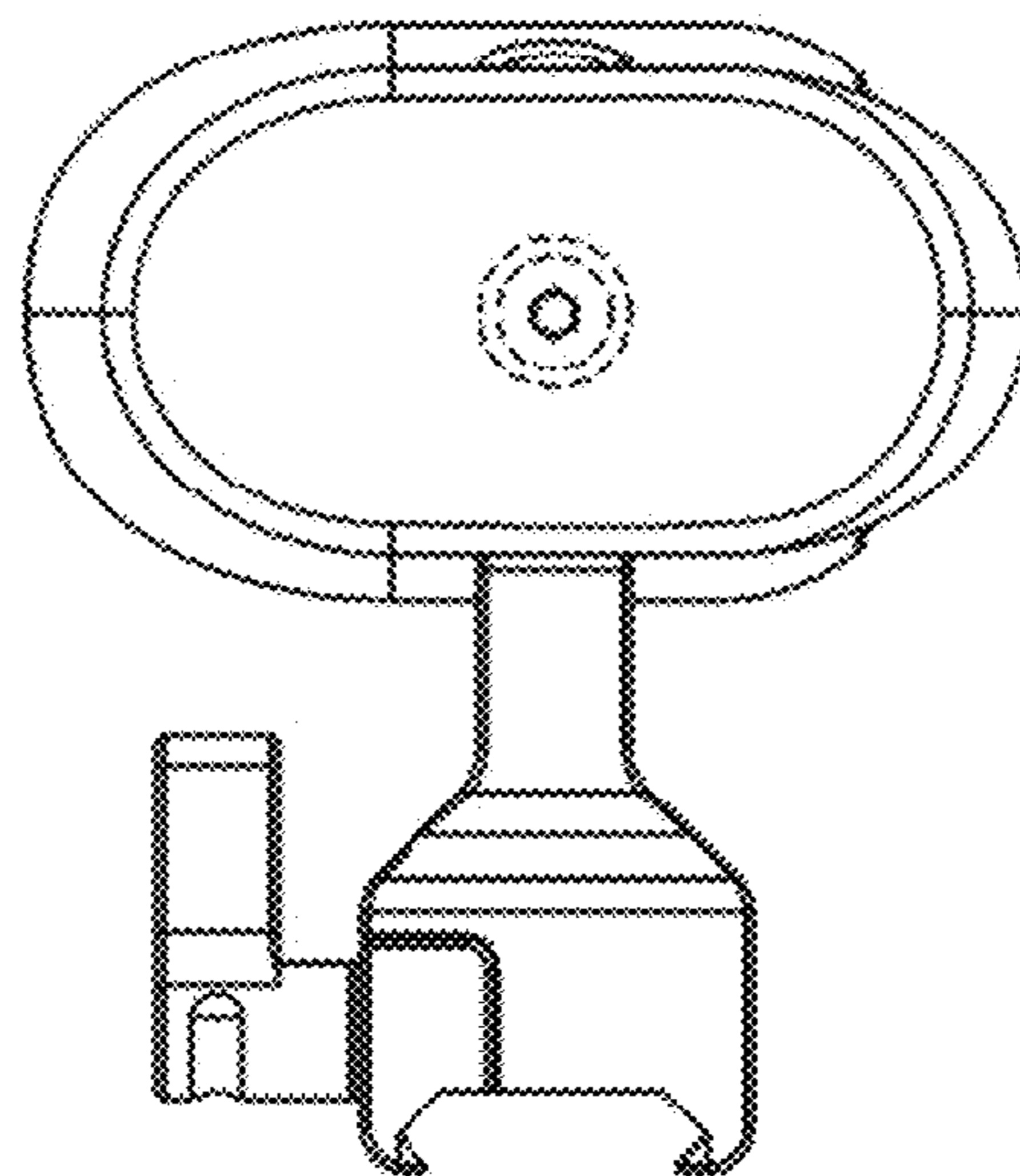


FIG. 6

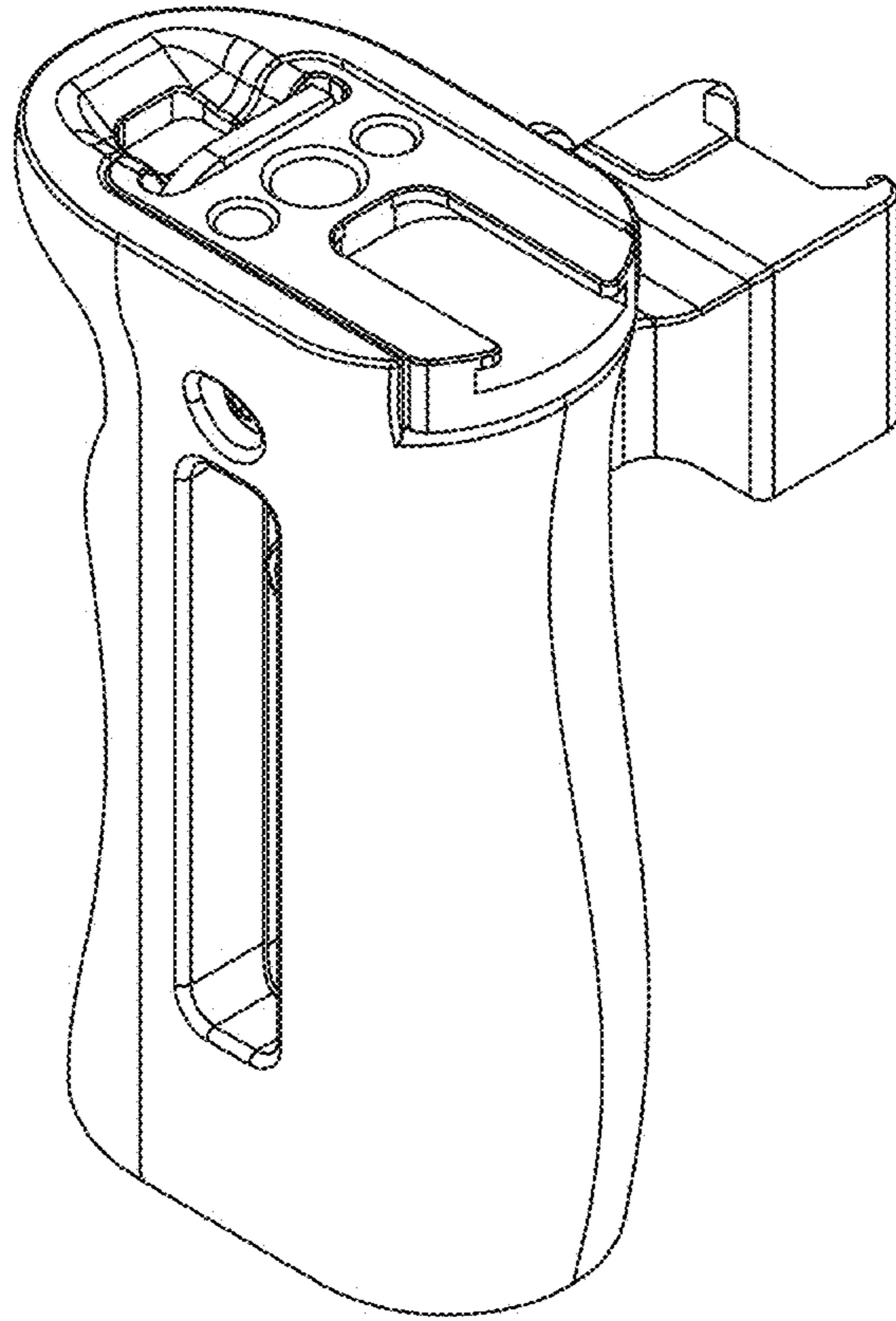


FIG. 7