



US00D911423S

(12) **United States Design Patent**
Xu et al.

(10) **Patent No.:** **US D911,423 S**

(45) **Date of Patent:** **** Feb. 23, 2021**

(54) **UPPER HANDLE FOR PHOTOGRAPHY
DEVICE**

(71) Applicant: **Shenzhen Leqi Network Technology
Co., Ltd, Shenzhen (CN)**

(72) Inventors: **Jiawei Xu, Shenzhen (CN); Xingxing
Yuan, Shenzhen (CN)**

(73) Assignee: **Shenzhen Leqi Network Technology
Co., LTD, Shenzhen (CN)**

(**) Term: **15 Years**

(21) Appl. No.: **29/686,105**

(22) Filed: **Apr. 2, 2019**

(51) **LOC (13) Cl.** **16-05**

(52) **U.S. Cl.**
USPC **D16/243; D16/237**

(58) **Field of Classification Search**
USPC D16/219, 237–250; D14/229, 238, 251,
D14/253, 447, 451, 457; D8/354, 355,
D8/363, 373, 382–383, 394–396
CPC A45F 2200/0508–0533; A45F 5/00; A45F
5/10; F16M 11/06–10; F16M 11/14;
G02B 7/00–002; G03B 17/56; G03B
17/561–566; H04N 5/2253–2254
See application file for complete search history.

(56) **References Cited**

U.S. PATENT DOCUMENTS

D282,712 S * 2/1986 Rademacher D8/14
D293,203 S * 12/1987 Hertensteiner 248/68.1
4,727,390 A * 2/1988 Brown F16M 13/04
396/420
D440,147 S * 4/2001 Rimback D8/363
D555,459 S * 11/2007 Goodwin, III D8/363
D630,239 S * 1/2011 Huguley D16/243

D635,447 S * 4/2011 Henry D8/356
9,066,421 B1 * 6/2015 Martin H05K 5/0217
D808,576 S * 1/2018 Clarke D26/138
D829,265 S * 9/2018 Kiernan-Lewis D16/243
D879,590 S * 3/2020 Jaramillo D8/354
D889,528 S * 7/2020 Kowalski D16/242

OTHER PUBLICATIONS

LanParte MCK-02 Handheld Kit for GH3_GH4. [online] Retrieved
Jul. 30, 2020 from URL: https://www.cinegearpro.co.uk/products/lanparte-mck-02-handheld-kit-for-gh3-gh4-and-a7s-a7rii-a7sii.*

(Continued)

Primary Examiner — Vy N Koenig

(74) *Attorney, Agent, or Firm* — Andrew C. Cheng

(57) **CLAIM**

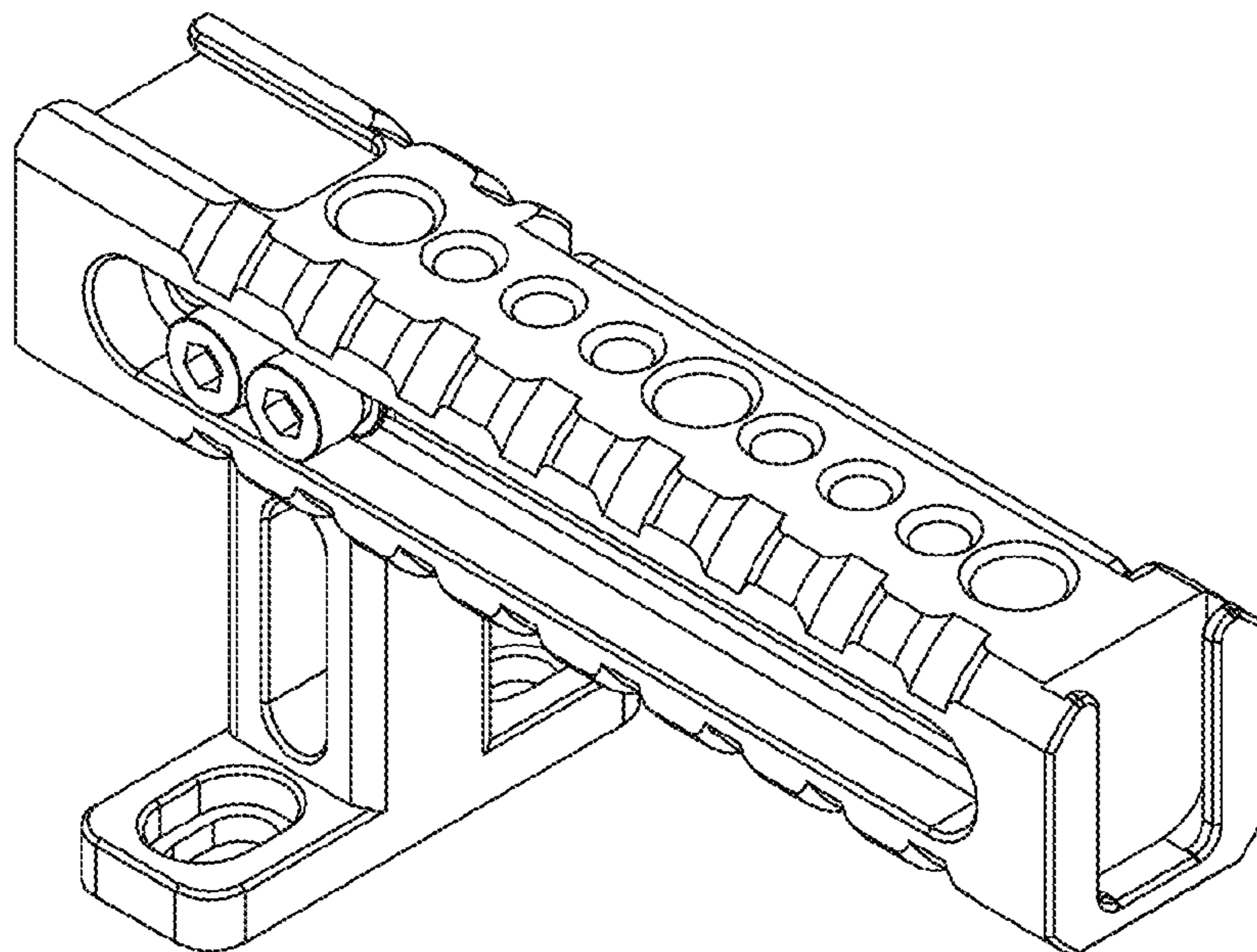
The ornamental design for an upper handle for photography
device, as shown and described.

DESCRIPTION

FIG. 1 is a front view of an upper handle for connecting to
a photography device according to the present design;
FIG. 2 is a top view of the upper handle for photography
device of FIG. 1;
FIG. 3 is a rear view of the upper handle for photography
device of FIG. 1;
FIG. 4 is a bottom view of the upper handle for photography
device of FIG. 1;
FIG. 5 is a right side view of the upper handle for photog-
raphy device of FIG. 1;
FIG. 6 is a left side view of the upper handle for photography
device of FIG. 1; and,
FIG. 7 is a perspective view of the upper handle for
photography device of FIG. 1.

The broken lines in the drawings depict portions of the upper
handle for photography device that form no part of the
claimed design.

1 Claim, 4 Drawing Sheets



(56)

References Cited

OTHER PUBLICATIONS

TILTA Rig for Sony A6000 A6300 A6500 Camera Rig. [online]
Retrieved Jul. 30, 2020 from URL: <https://www.aliexpress.com/i/32810308158.html>.*

SmallRig 2027 NATO Top Handle Accessory Kit 2027 B&H Photo
Video. [online] Retrieved Jul. 30, 2020 from URL: https://www.bhphotovideo.com/c/product/1422046-REG/smallrig_2027_top_handle_accessory_kit.html.*

* cited by examiner

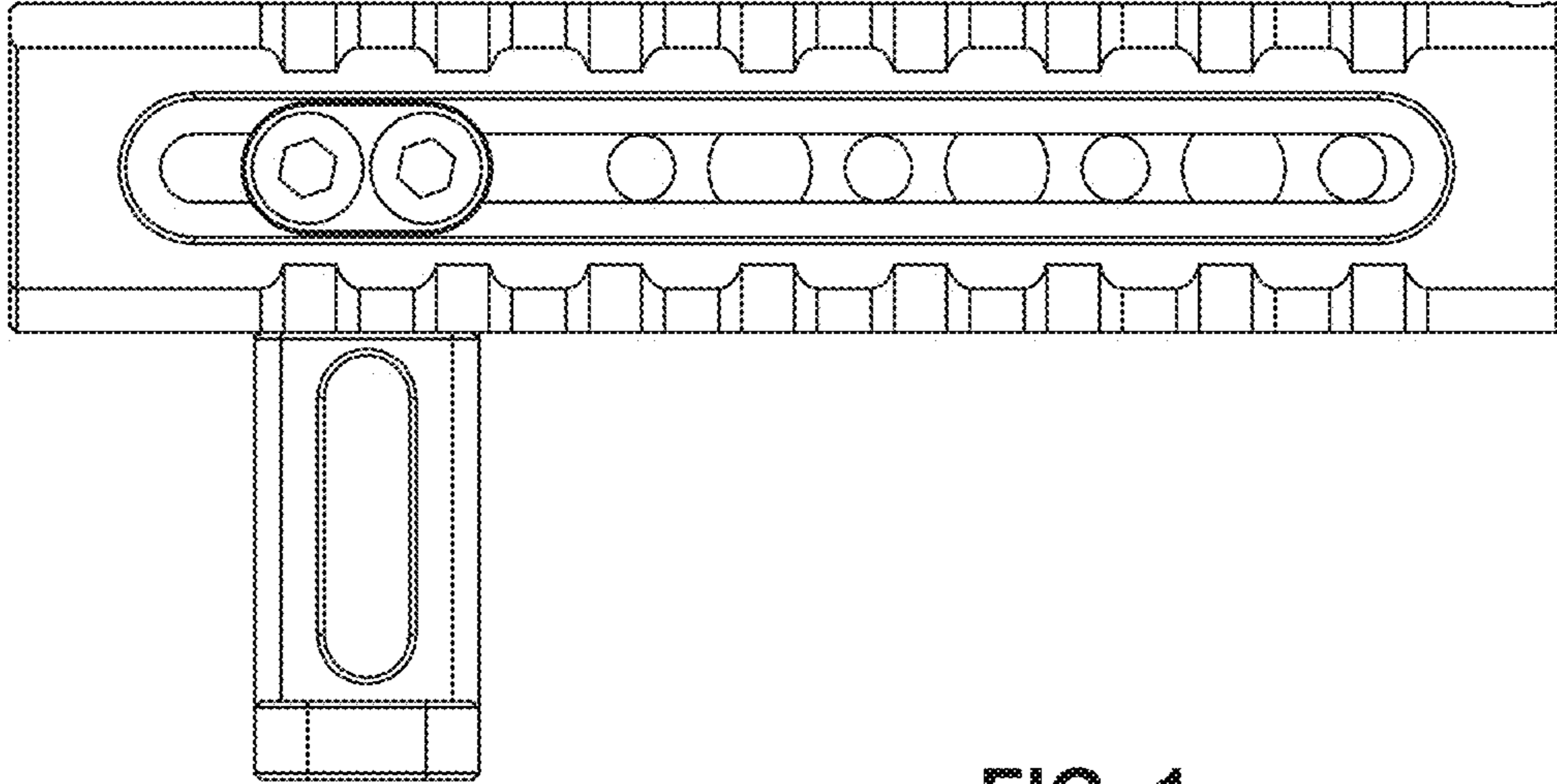


FIG. 1

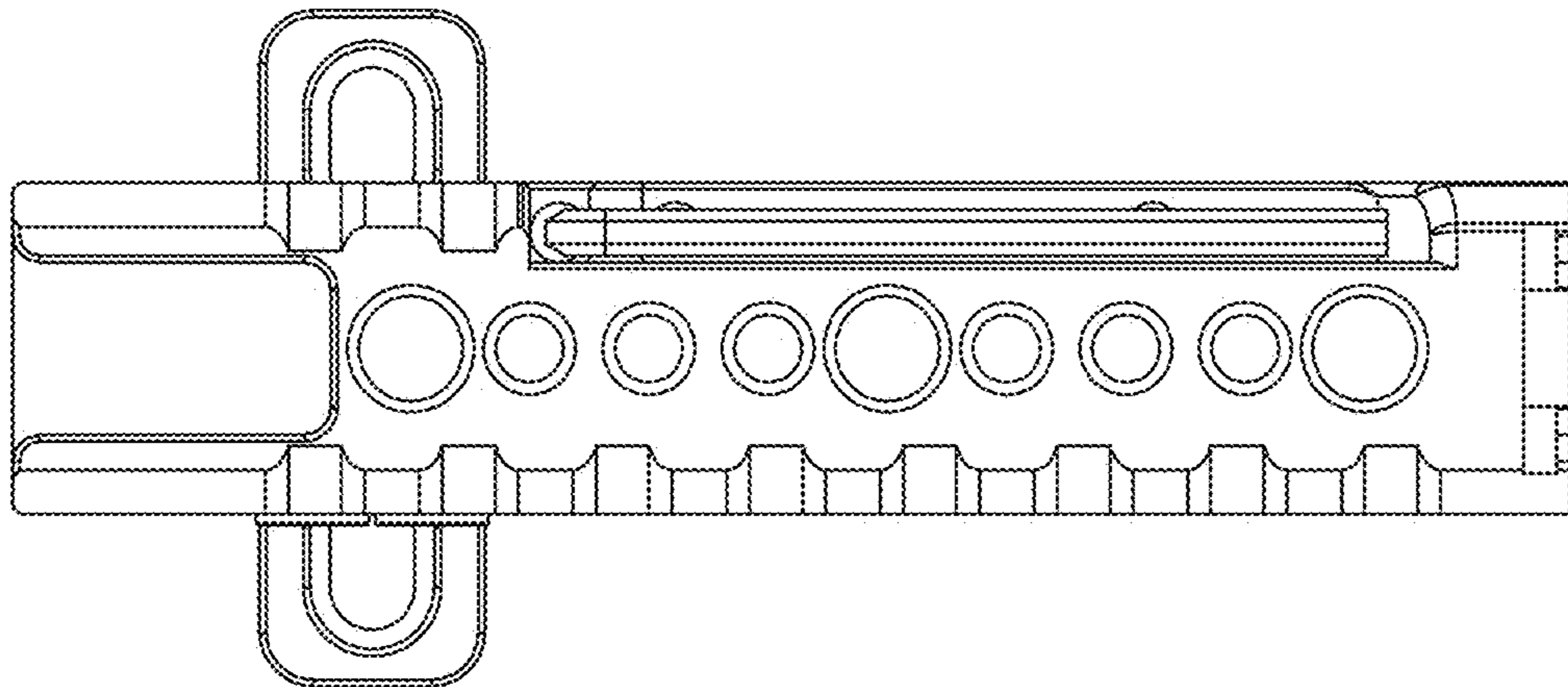


FIG. 2

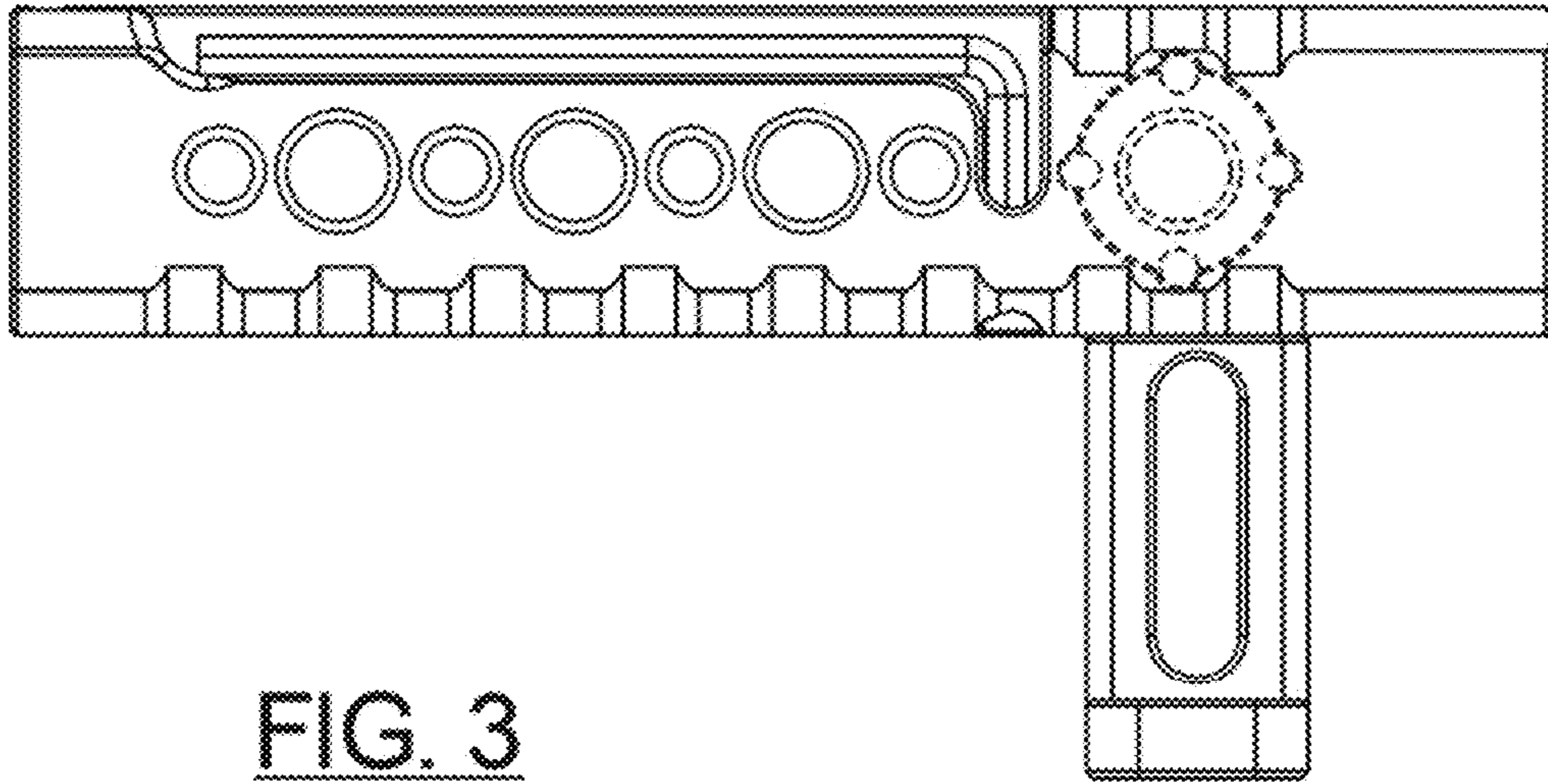


FIG. 3

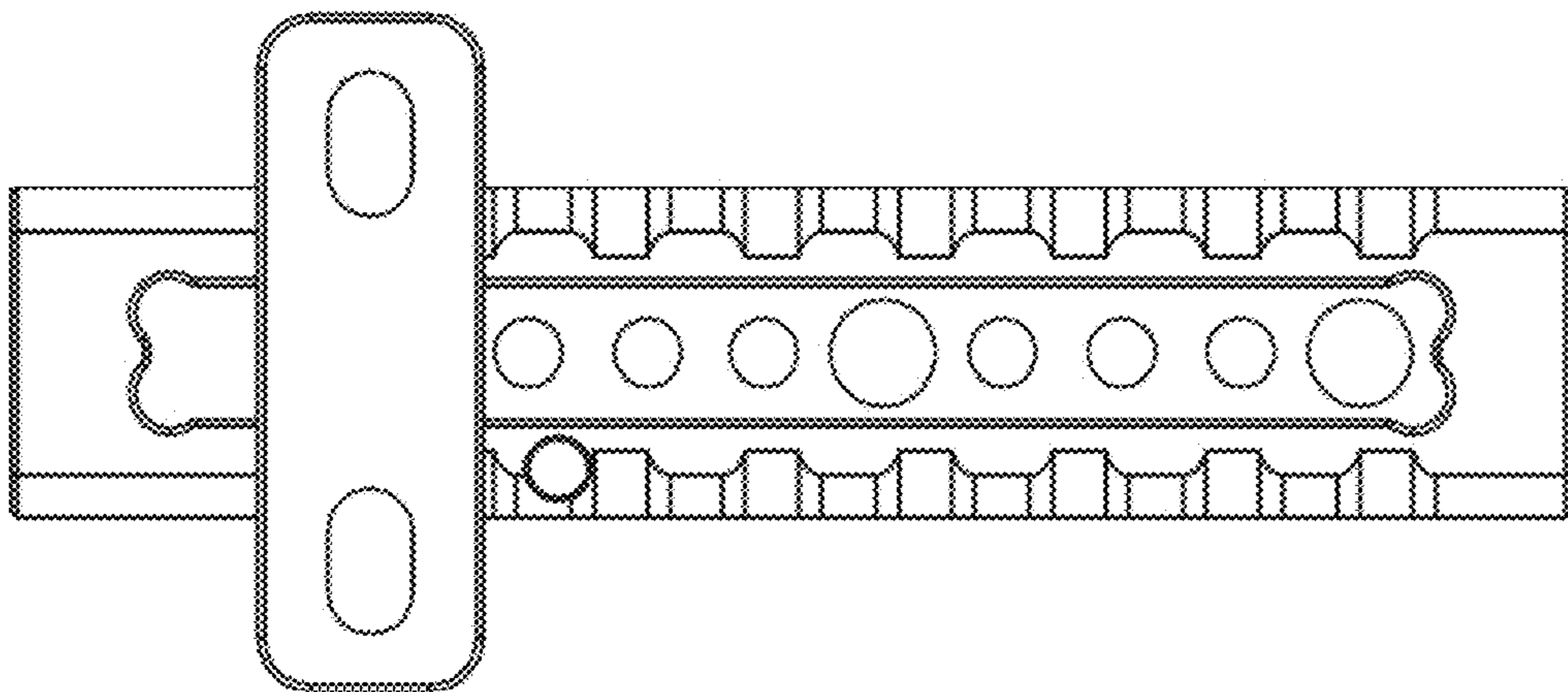


FIG. 4

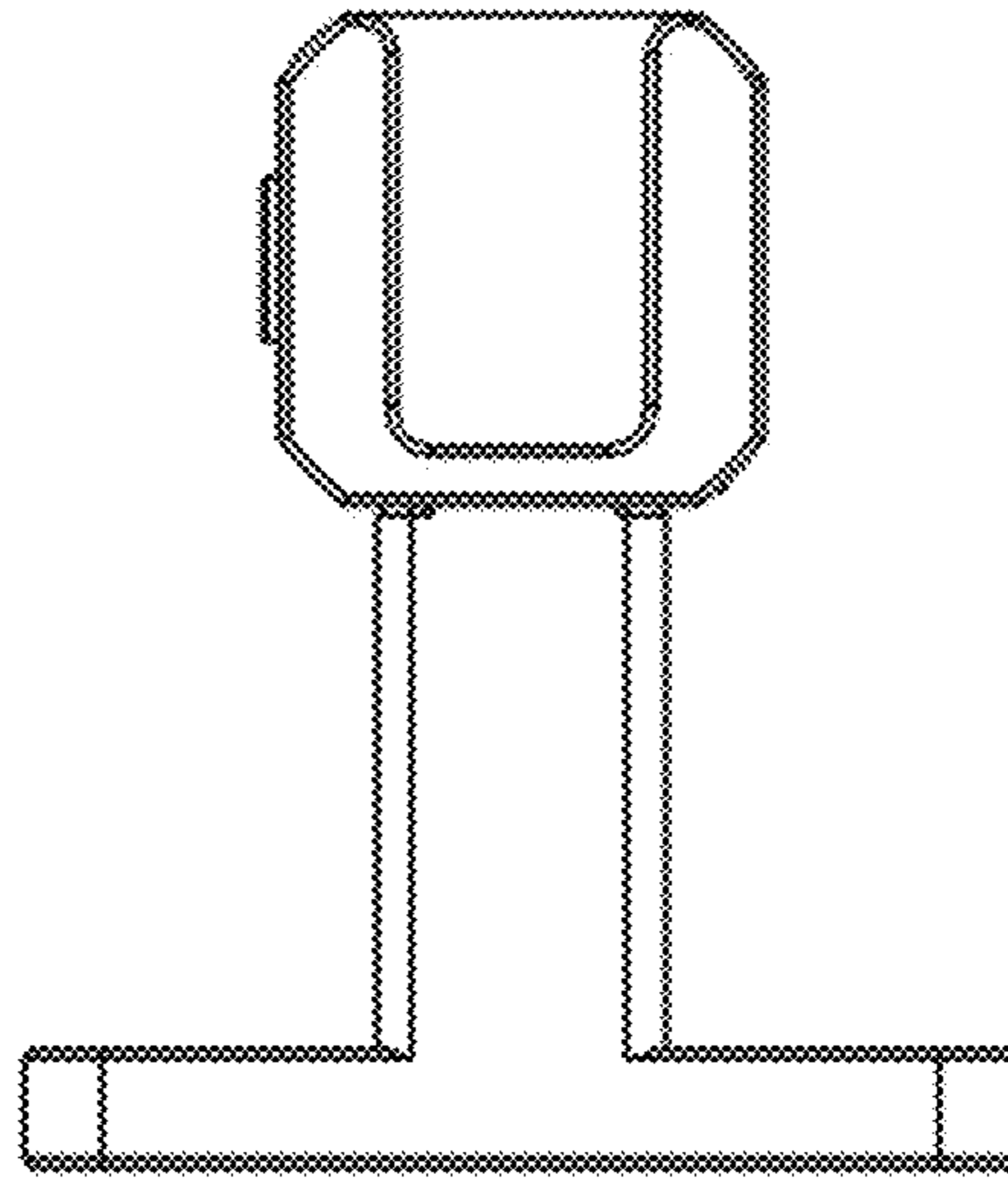


FIG. 5

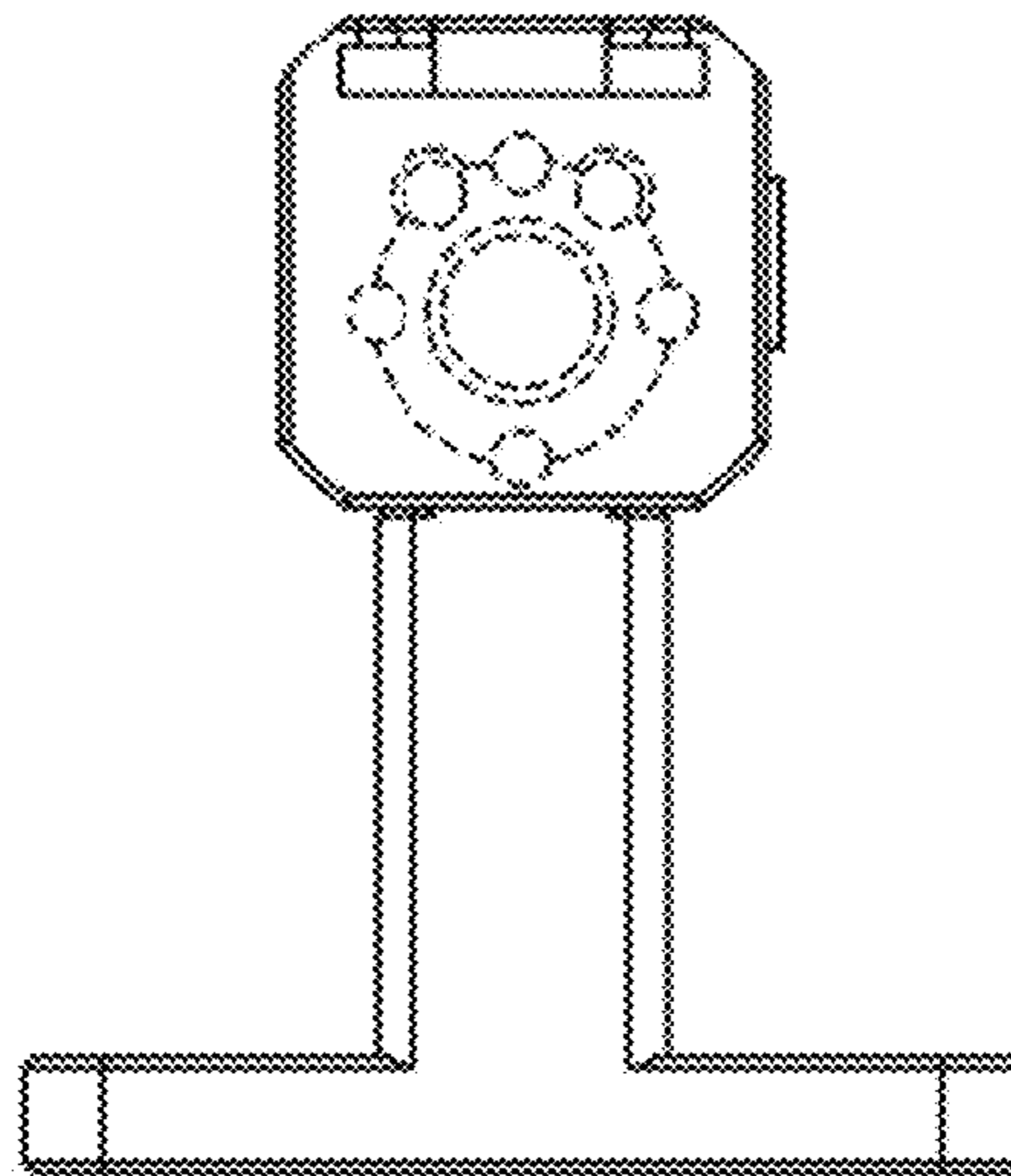


FIG. 6

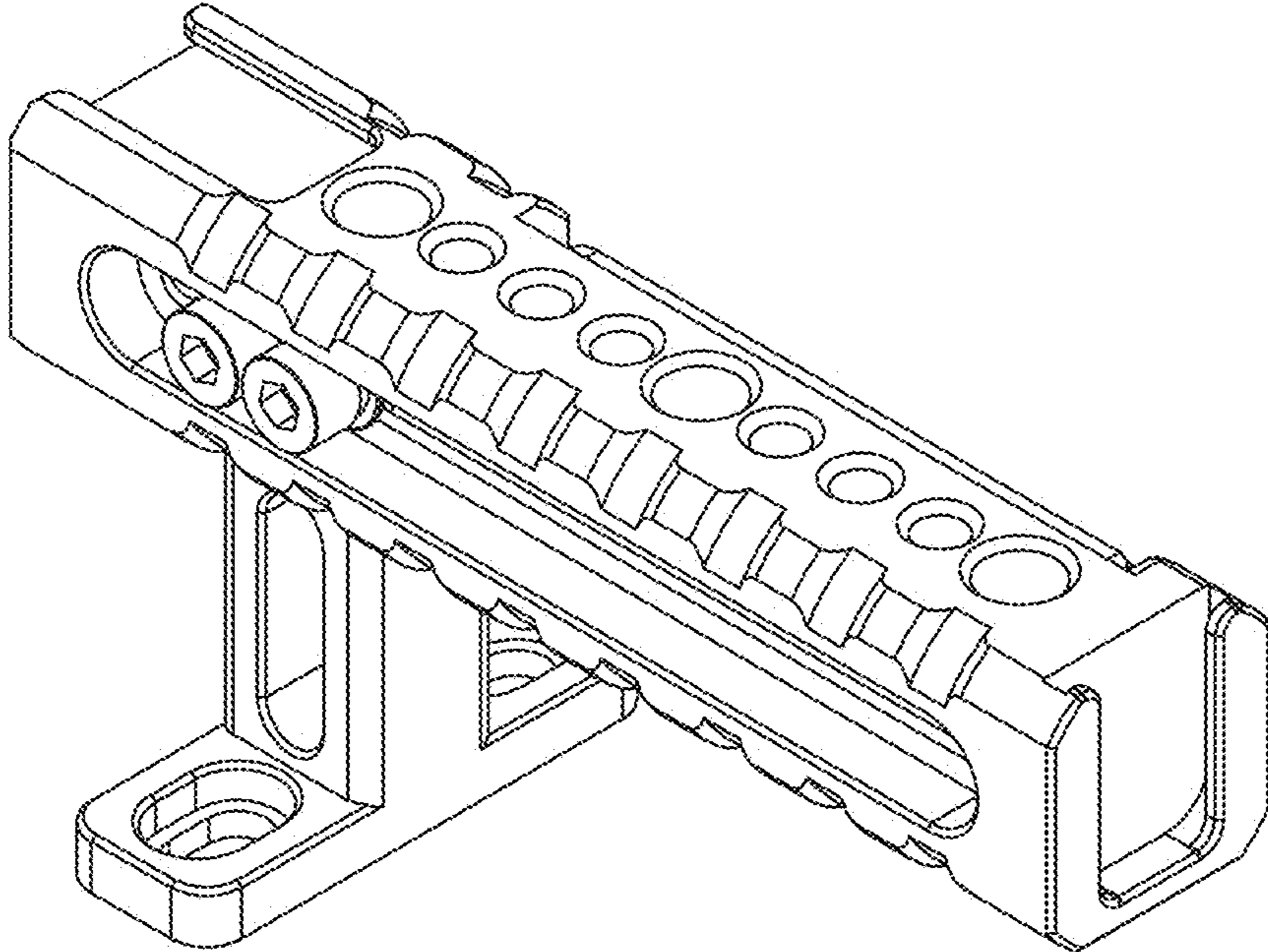


FIG. 7