



US00D911421S

(12) **United States Design Patent**
Xu

(10) **Patent No.:** **US D911,421 S**
(45) **Date of Patent:** **** Feb. 23, 2021**

(54) **WATERPROOF ON-CAMERA LIGHT**

(71) Applicant: **ZhiSheng Xu**, Philadelphia, PA (US)

(72) Inventor: **ZhiSheng Xu**, Philadelphia, PA (US)

(**) Term: **15 Years**

(21) Appl. No.: **29/738,236**

(22) Filed: **Jun. 16, 2020**

(51) **LOC (13) Cl.** **16-05**

(52) **U.S. Cl.**
USPC **D16/239**

(58) **Field of Classification Search**
USPC D16/208, 209, 219, 237–250; D26/49,
D26/60, 66, 67

CPC G03B 17/56; G03B 17/561–566
See application file for complete search history.

(56) **References Cited**

U.S. PATENT DOCUMENTS

D262,634 S *	1/1982	Schlagheck	D16/240
D394,870 S *	6/1998	Palmer	D16/219
D422,293 S	4/2000	Harata		
D486,259 S *	2/2004	Crawford	D26/46
D502,488 S	3/2005	Miyashita		
D541,456 S *	4/2007	Kosche	D26/63
D546,994 S *	7/2007	Wachter	D26/63
D577,052 S	9/2008	Orion et al.		
D584,843 S *	1/2009	Kosche	D26/66
D612,970 S *	3/2010	Sharrah	D26/60
D621,081 S *	8/2010	Abernethy	D26/60
D640,721 S *	6/2011	Satine	D16/204
D699,779 S	2/2014	Zhan		
8,702,255 B2	4/2014	Baxter et al.		
8,882,283 B2	11/2014	Baxter et al.		
D723,725 S	3/2015	Asano et al.		
D744,681 S *	12/2015	Breen	D26/49
D753,755 S	4/2016	Zhan		
D754,241 S *	4/2016	Ferro	D16/239
D754,774 S	4/2016	Chang et al.		
D756,011 S	5/2016	Nojima et al.		
D761,988 S	7/2016	Asano et al.		

D778,974 S	2/2017	Masek et al.		
9,588,402 B2	3/2017	Baxter et al.		
D860,291 S *	9/2019	Lenz	D16/208
D866,031 S *	11/2019	Muyshondt	D26/49
D867,630 S *	11/2019	Benoit	D26/28

(Continued)

FOREIGN PATENT DOCUMENTS

WO 2011116031 A2 9/2011

OTHER PUBLICATIONS

ONEUW ONE160x Underwater Digital Strobe for Nikon Cameras. [online] Retrieved Sep. 10, 2020 from URL: https://www.backscatter.com/ONEUW-ONE160x-Underwater-Digital-Strobe-for-Nikon-Cameras.*

(Continued)

Primary Examiner — Vy N Koenig

(74) *Attorney, Agent, or Firm* — Benjamin Aaron Adler

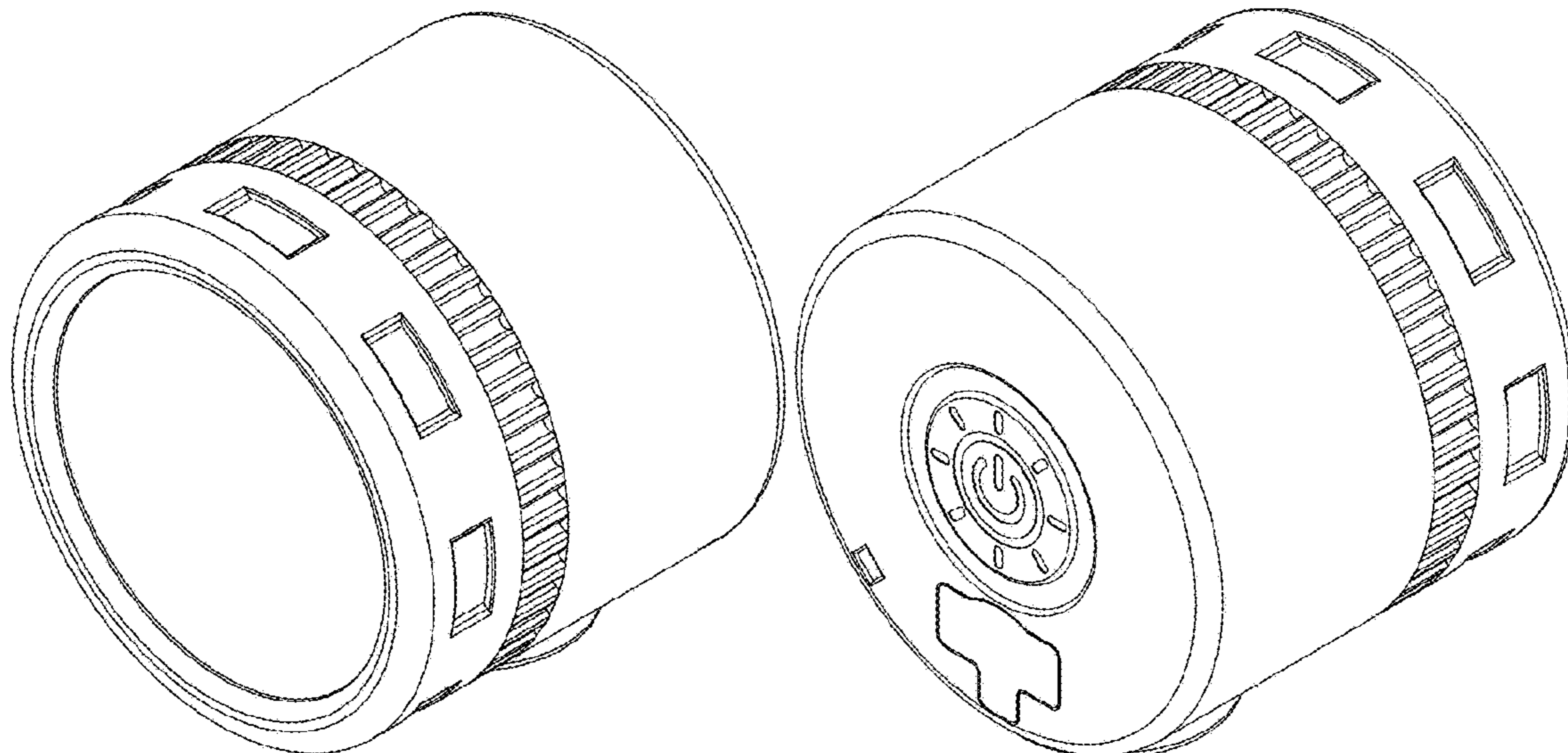
(57) **CLAIM**

The ornamental design for a waterproof on-camera light, as shown and described.

DESCRIPTION

FIG. 1 is a front view of a the waterproof on-camera light according to the present invention. FIG. 2 is a back view thereof. FIG. 3 is a top view thereof. FIG. 4 is a bottom view thereof. FIG. 5 is a right-side view thereof. FIG. 6 is a left-side view thereof. FIG. 7 is a top and right side perspective view thereof; and, FIG. 8 is a bottom and left side perspective view thereof. The broken lines in the drawings depict portions of the waterproof on-camera light that form no part of the claimed design.

1 Claim, 8 Drawing Sheets



(56)

References Cited

U.S. PATENT DOCUMENTS

D868,139 S 11/2019 Zhou
D884,767 S * 5/2020 Calik D16/202
D891,665 S * 7/2020 Nagano D26/60
2012/0063116 A1 3/2012 Baxter et al.
2012/0087102 A1 4/2012 Baxter et al.
2015/0062862 A1 3/2015 Baxter et al.

OTHER PUBLICATIONS

Lume Cube, Inc., Lume Cube Air Lighting Bundle.
Lume Cube, Inc., Lume Cube 2.0 Adjustable LED.
Lume Cube, Inc., Lume Cube 2.0 Daylight-Balanced Portable LED
Light.

* cited by examiner

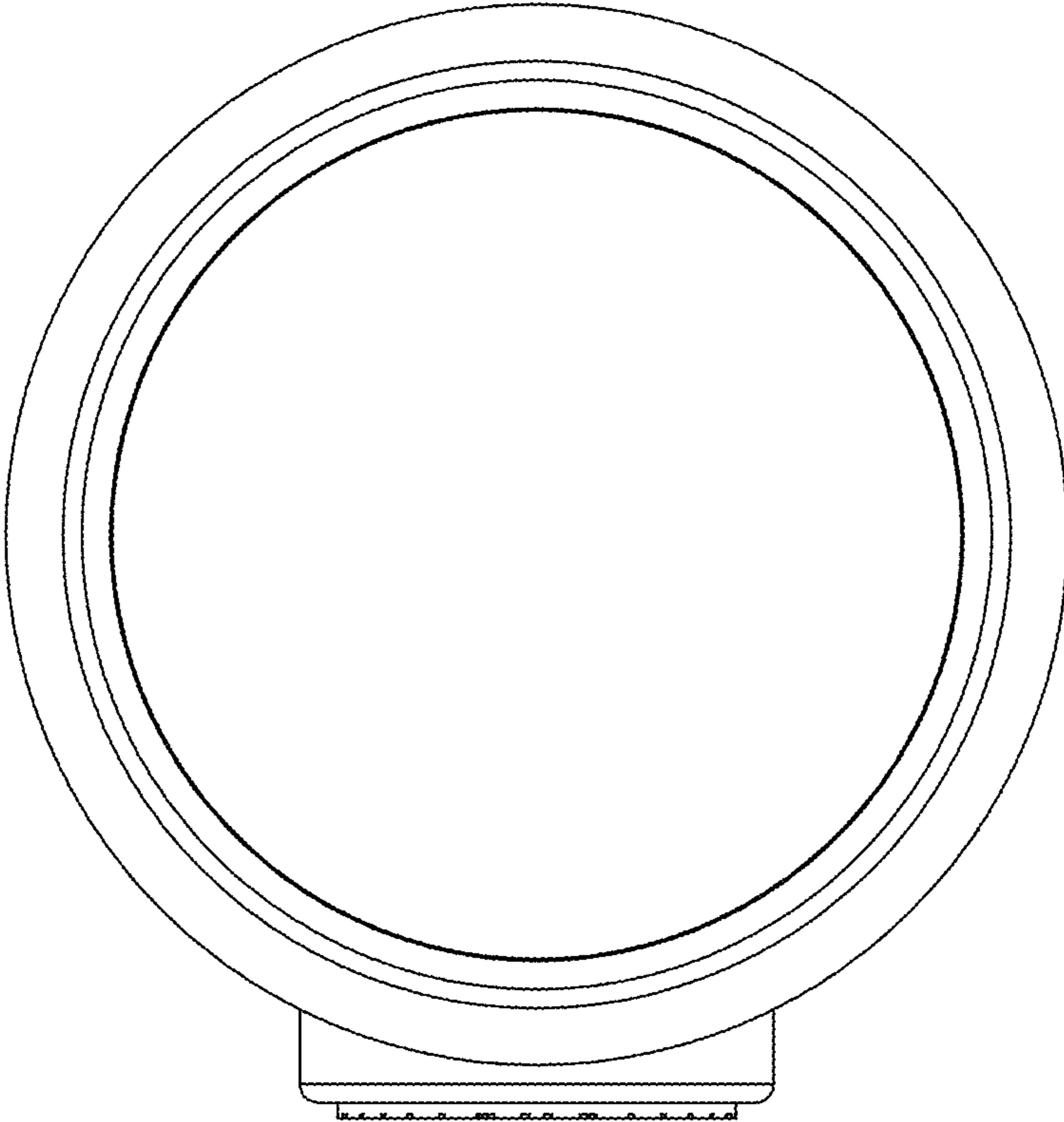


FIG. 1

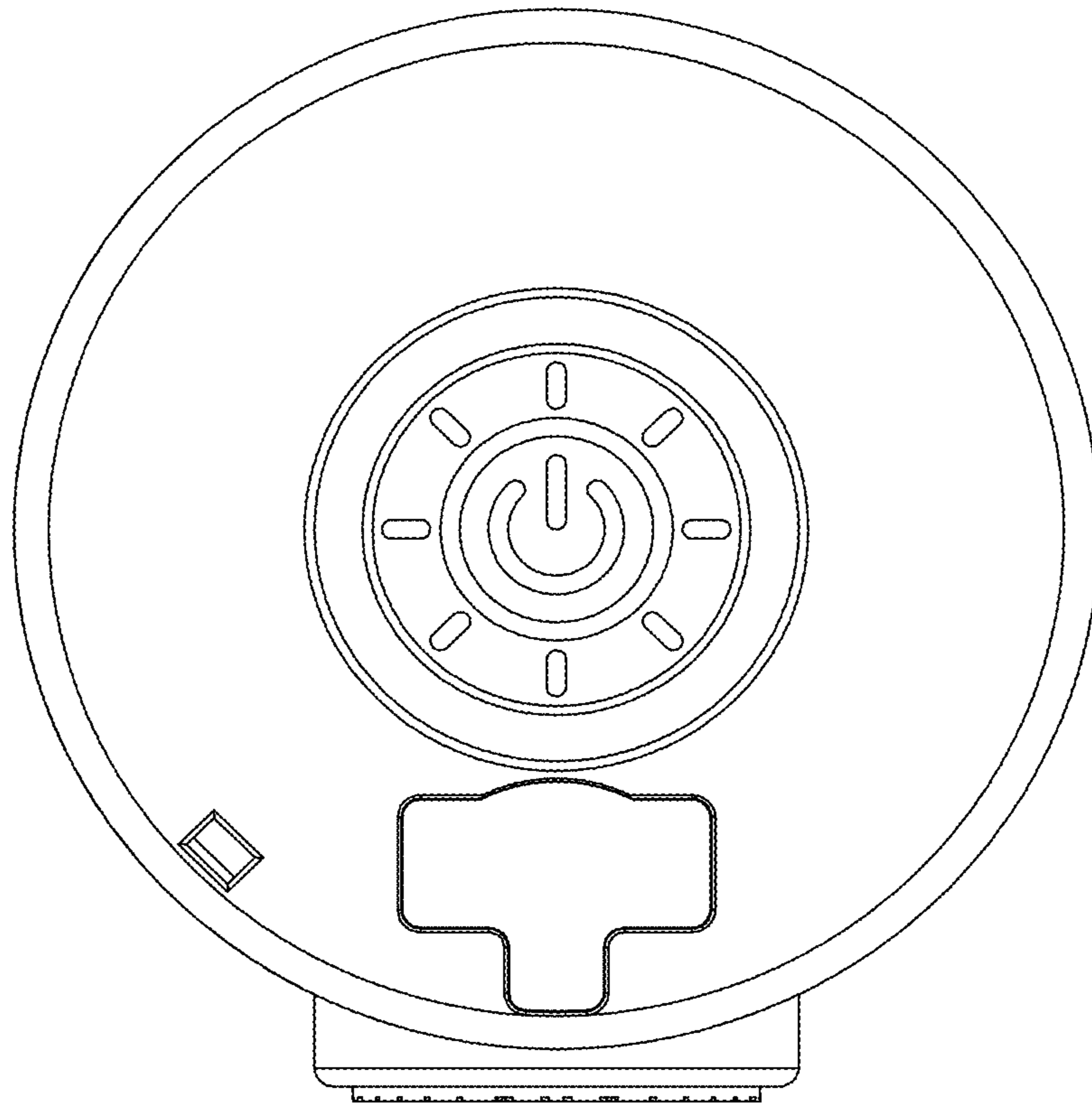


FIG. 2

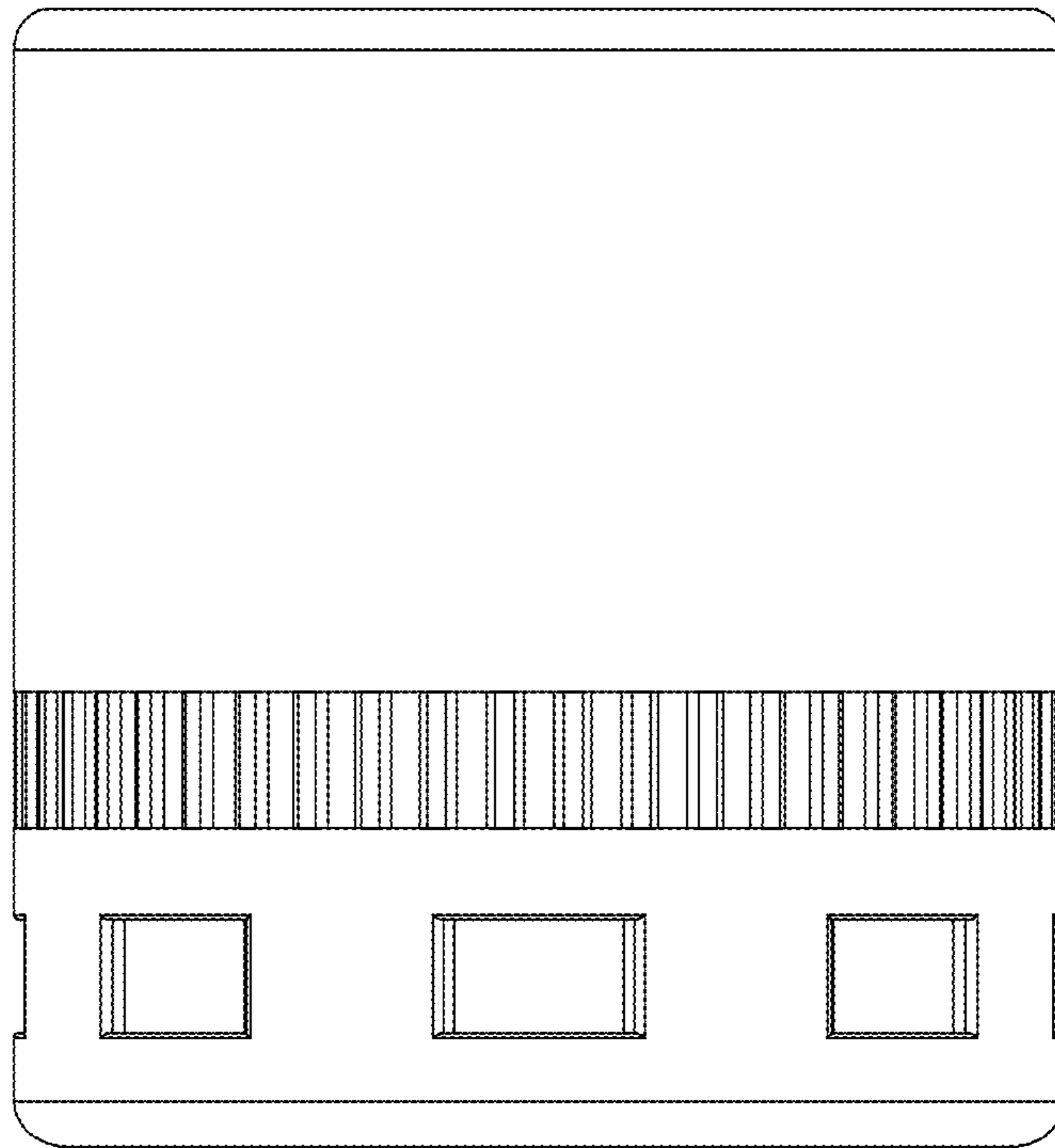


FIG. 3

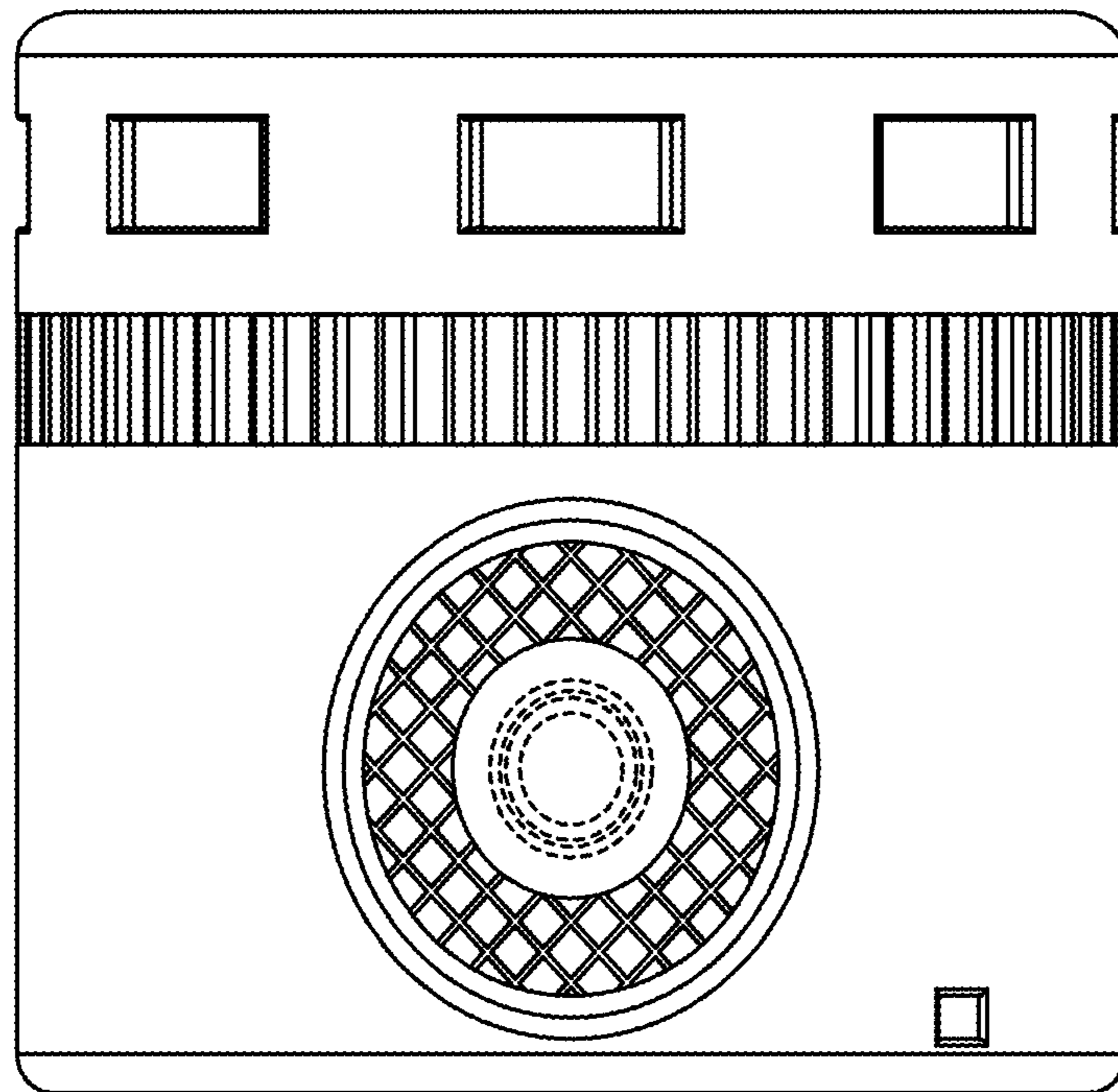


FIG. 4

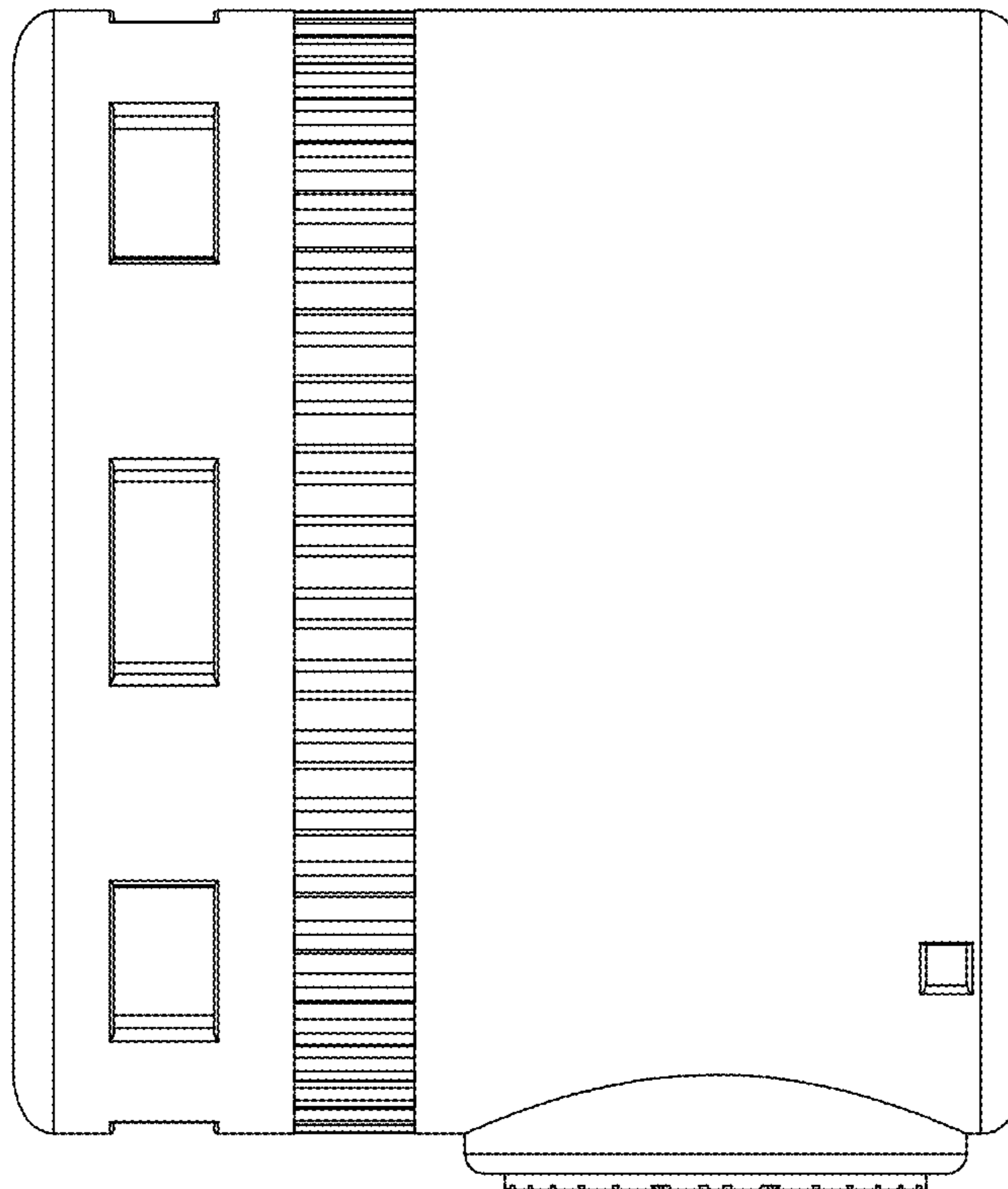


FIG. 5

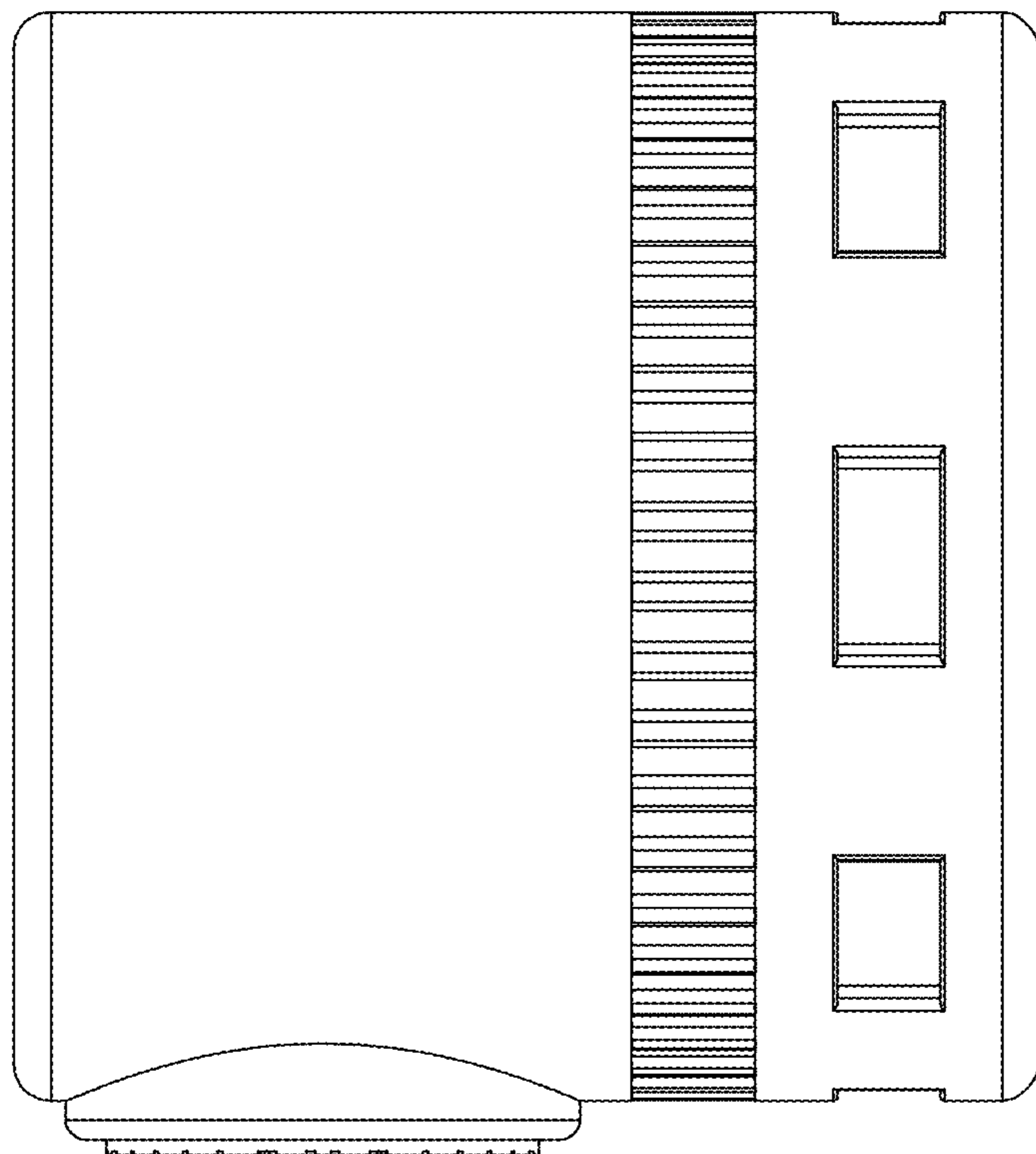


FIG. 6

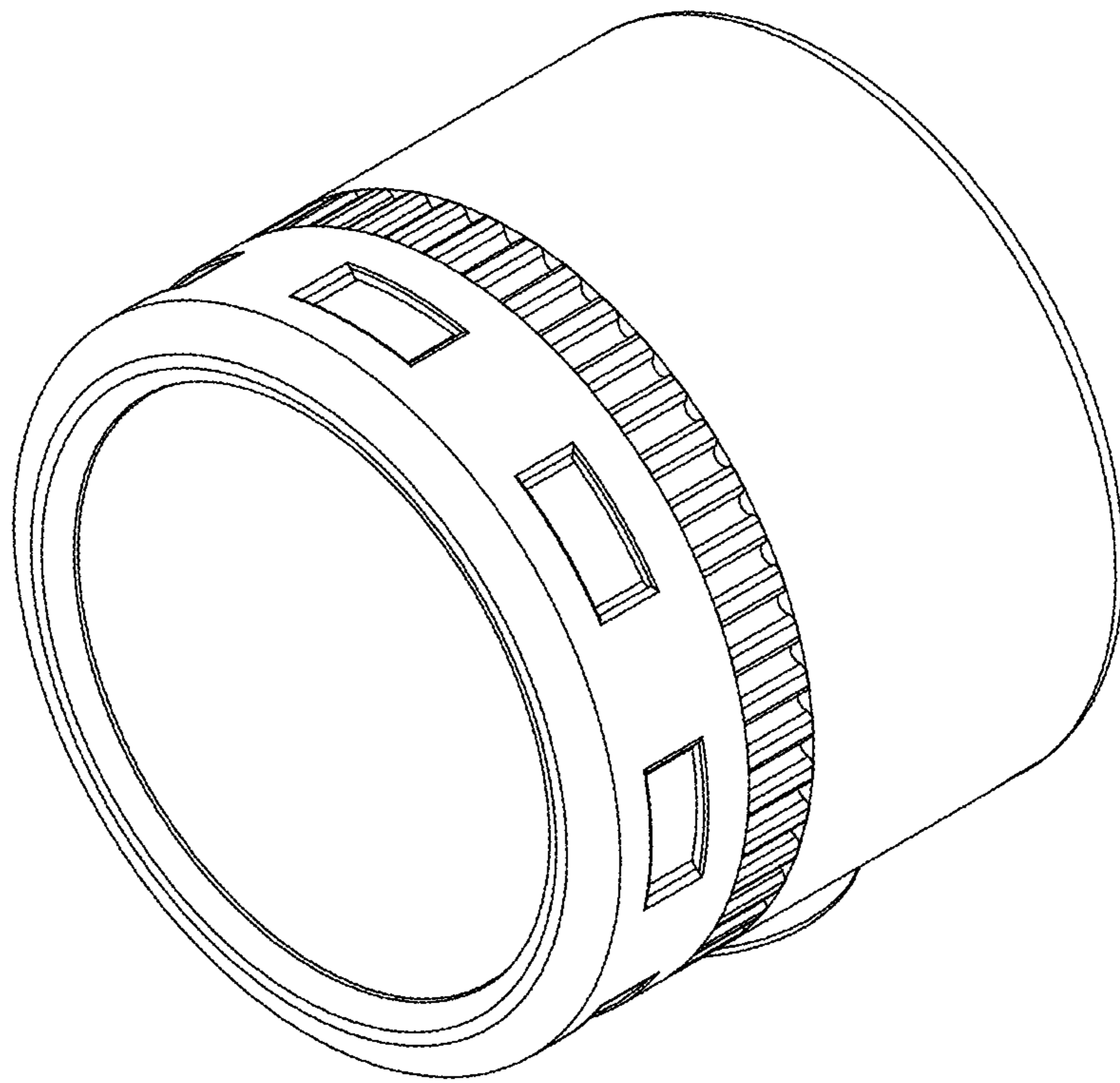


FIG. 7

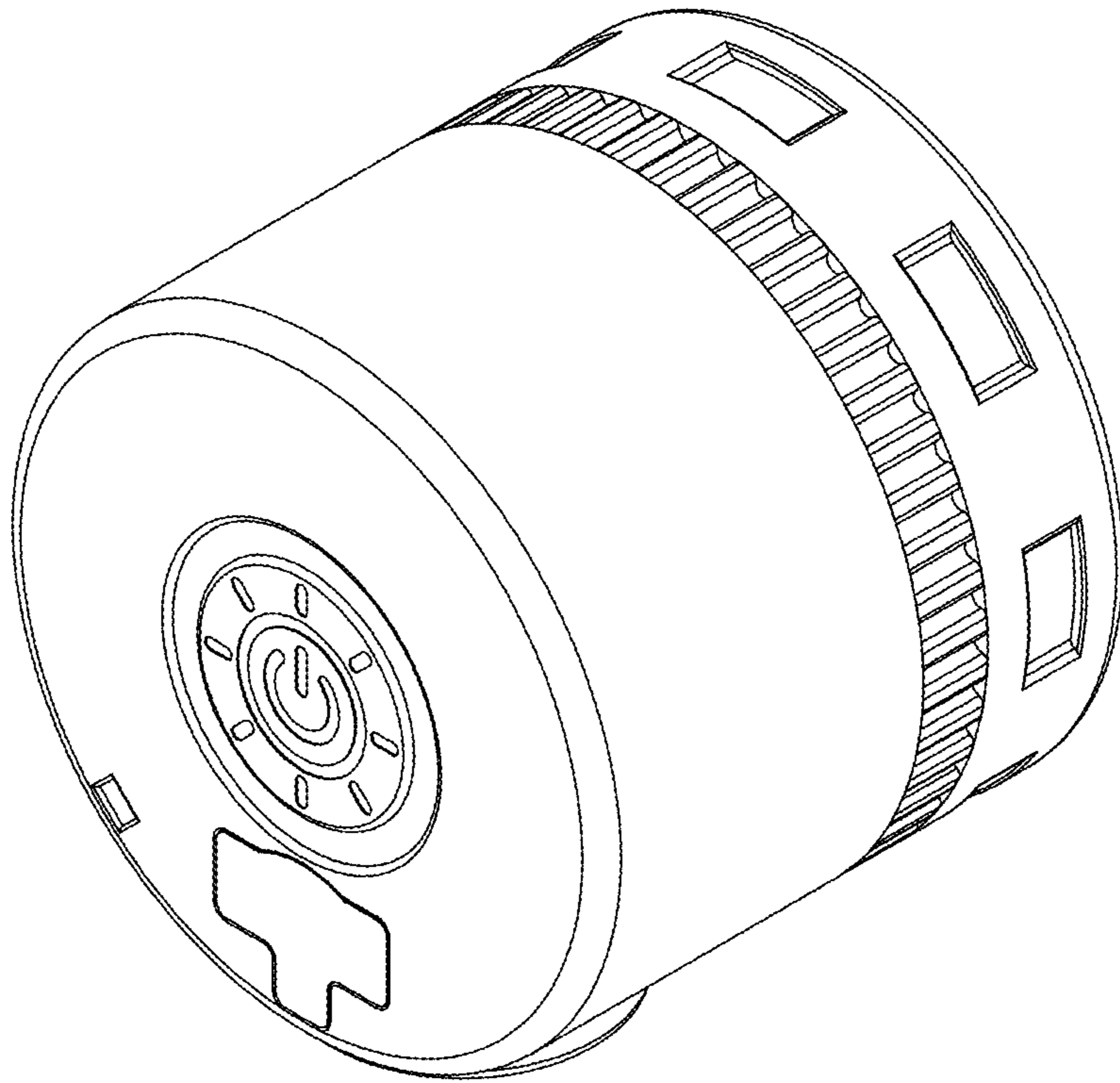


FIG. 8