



US00D911420S

(12) **United States Design Patent**
Silva Casas

(10) **Patent No.:** **US D911,420 S**
(45) **Date of Patent:** **** Feb. 23, 2021**

(54) **ACTIVATION BUTTON FOR USE WITH A TRIPOD FOR CAMERA PHONES**

D825,549 S * 8/2018 Lebovitz D14/253
D828,333 S * 9/2018 Hu D14/216
D858,600 S * 9/2019 Okitsu D16/134
D859,492 S * 9/2019 Okitsu D16/134
D861,644 S * 10/2019 Sohn D14/218

(71) Applicant: **CADDIE VIEW LLC**, Lewes, DE (US)

(72) Inventor: **Luis Antonio Silva Casas**, Cancun (MX)

(**) Term: **15 Years**

(21) Appl. No.: **29/704,573**

(22) Filed: **Sep. 5, 2019**

(51) **LOC (13) Cl.** **16-05**

(52) **U.S. Cl.**
USPC **D16/237; D16/245**

(58) **Field of Classification Search**
USPC D16/219, 237-250; D2/976; D8/354, D8/355, 363, 373, 382-383, 394-396; D14/224, 229, 238, 251, 253, 447, 451, D14/457
CPC A45F 5/00; A45F 5/10; A45F 2200/0508-0533; F16M 11/06-10; F16M 11/14; G02B 7/00-002; G03B 17/56; G03B 17/561-566; H04N 5/2253-5/2254
See application file for complete search history.

(56) **References Cited**

U.S. PATENT DOCUMENTS

D393,813 S * 4/1998 Herdt D11/78.1
D505,635 S * 5/2005 McGee D11/78.1
D748,179 S * 1/2016 Scalisi D16/203
D756,840 S * 5/2016 Gramatikas D11/222
D769,859 S * 10/2016 Herbst D14/253
D791,016 S * 7/2017 Gramatikas D11/222
D795,252 S * 8/2017 Chung D14/344
9,876,524 B1 * 1/2018 Motilall A41D 19/00

OTHER PUBLICATIONS

Caddie View Expo. [online] Published Jan. 29, 2020. Retrieved from URL: https://www.youtube.com/watch?v=_uSYjcVU8bk.
Golf Ball Hat Clip Marker. [online] Retrieved Oct. 8, 2020 from URL: https://www.crownawards.com/Customer_Service.Award_By_Sport.Golf_Ball_Hat_Clip_Marker/CRHCGF.html?cgid=1MY.

* cited by examiner

Primary Examiner — Vy N Koenig

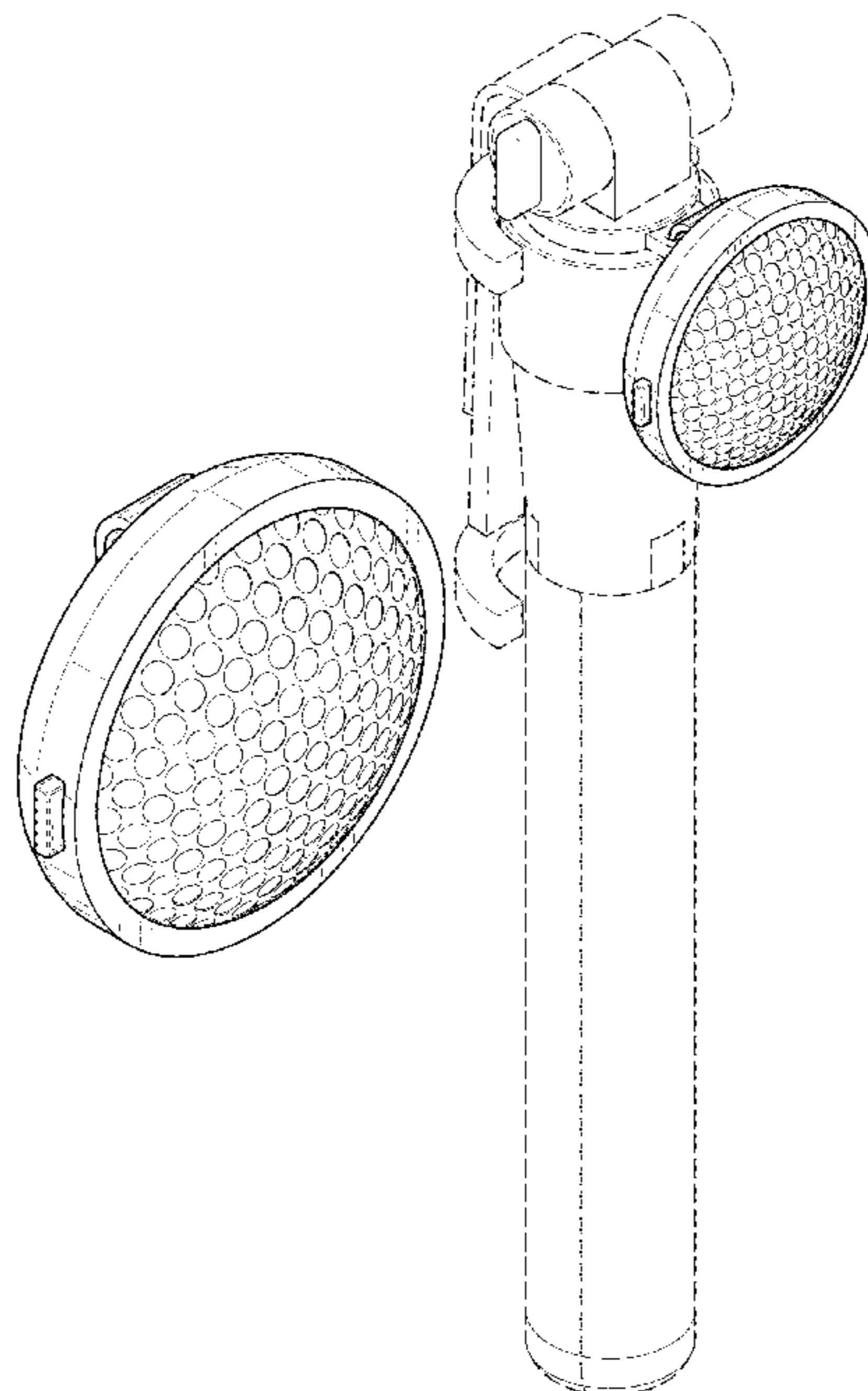
(57) **CLAIM**

The ornamental design for a activation button for use with a tripod for camera phones, as shown and described.

DESCRIPTION

FIG. 1 is a perspective view of an activation button for use with a tripod for camera phones showing my new design. FIG. 2 is a front view thereof; FIG. 3 is a rear view thereof; FIG. 4 is a top view thereof; FIG. 5 is a bottom view thereof; FIG. 6 is a side view thereof; FIG. 7 is an opposite side view thereof; and, FIG. 8 is a perspective view illustrating the activation button for use with a tripod for camera phones being stored on a collapsed tripod. The tripod shown in broken lines in FIG. 8 depicts environmental subject matter and is provided to show use of the activation button for use with a tripod for camera phones, and forms no part of the claimed design.

1 Claim, 2 Drawing Sheets



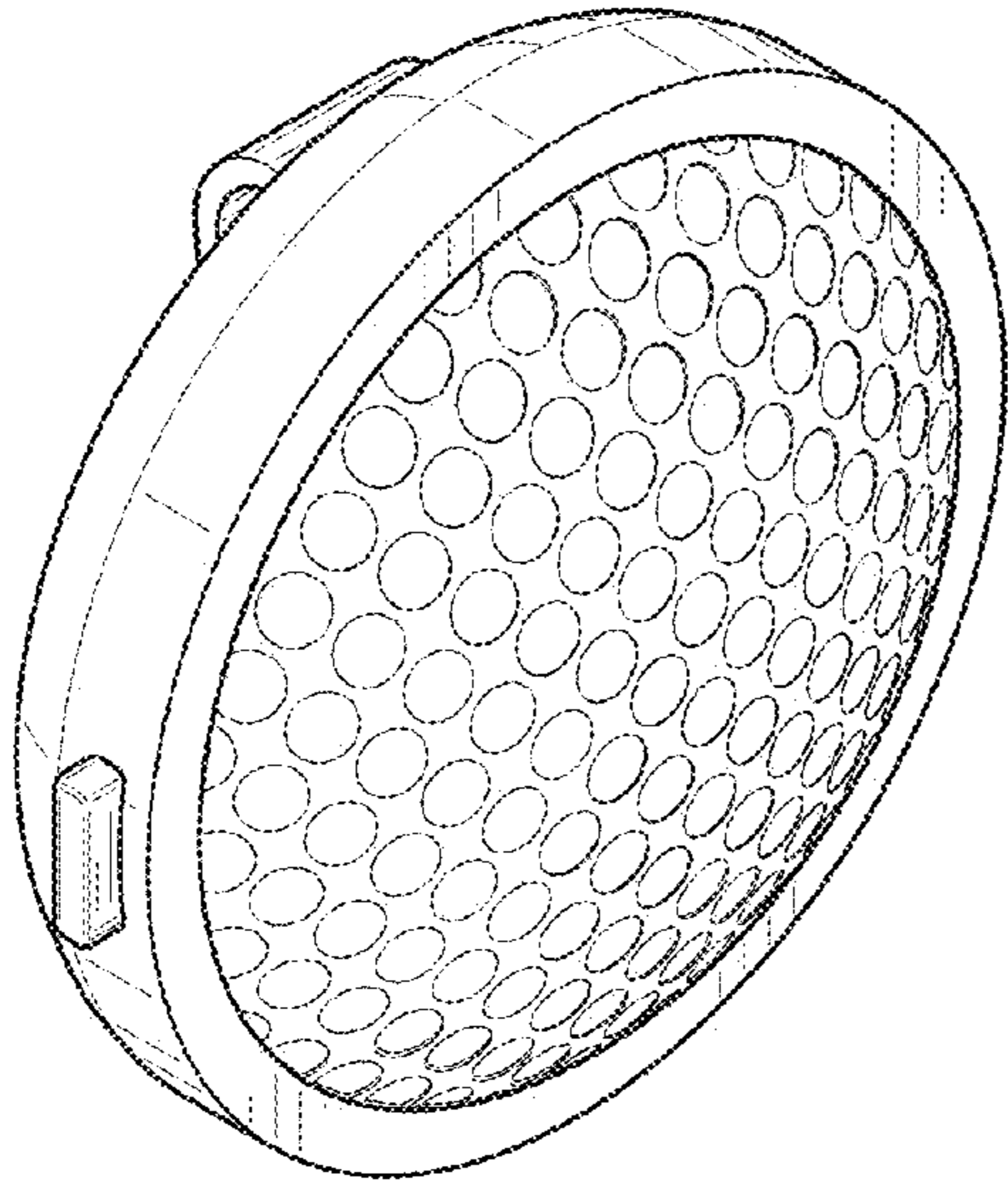


FIG. 1

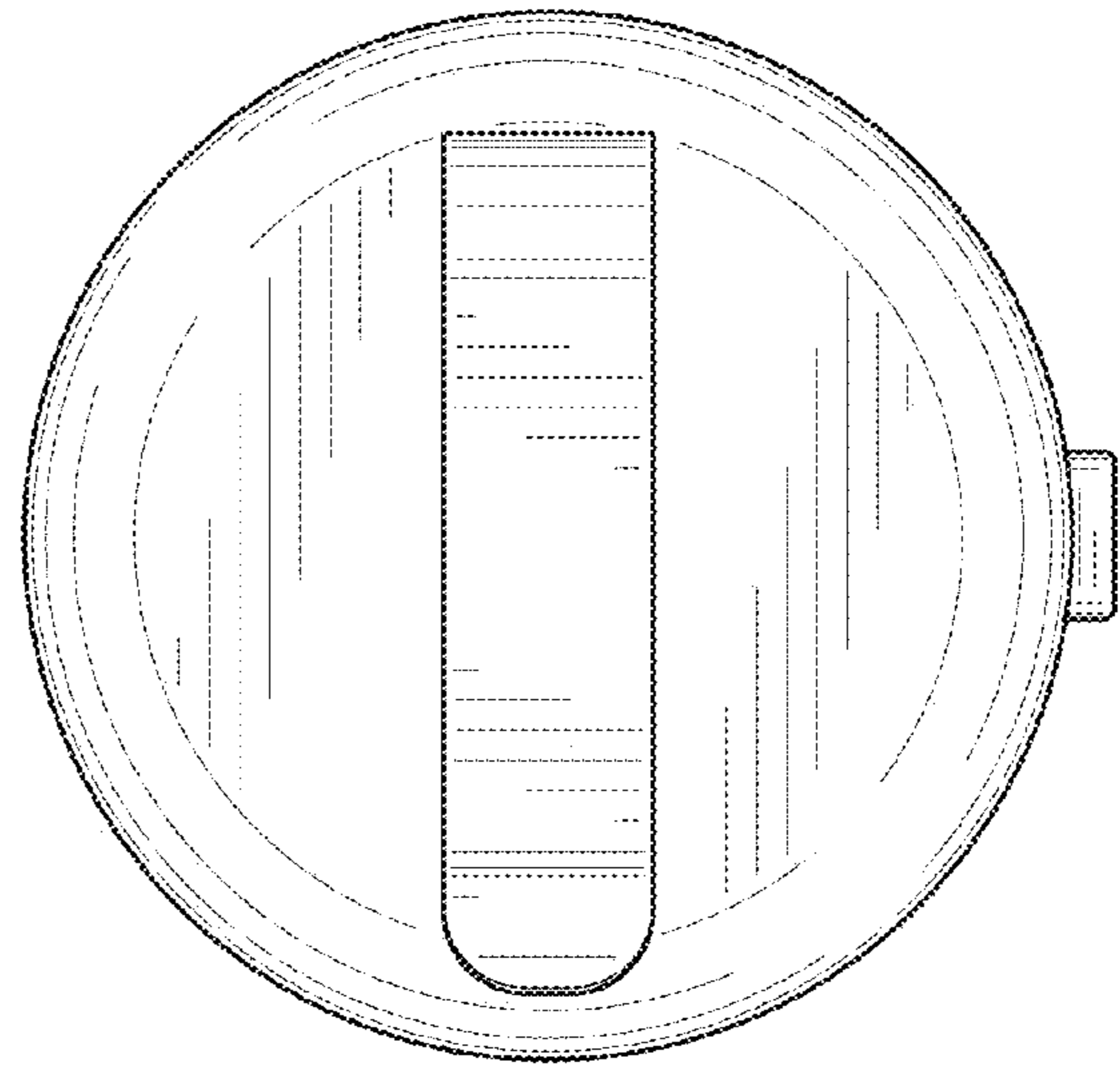


FIG. 3

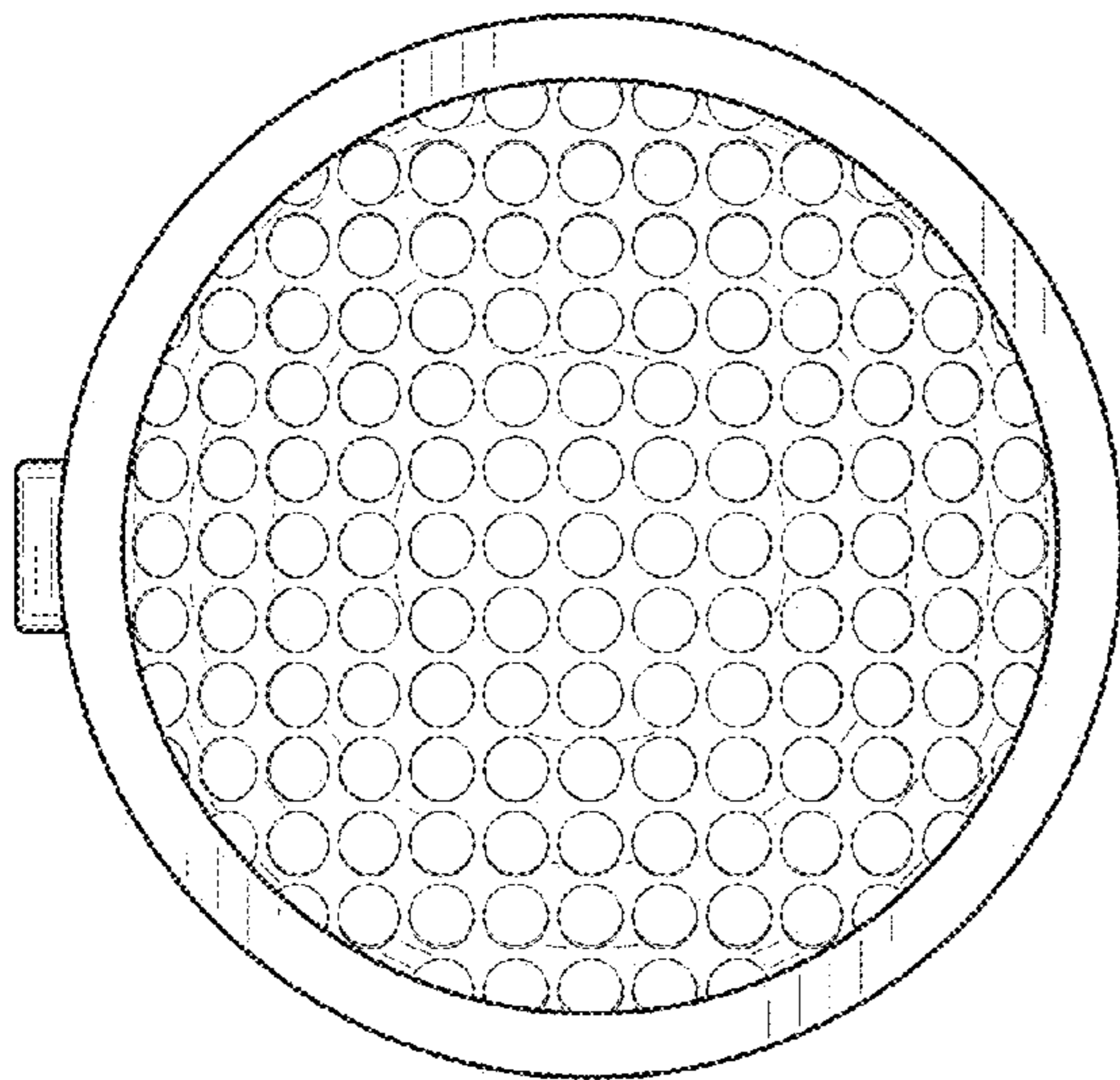


FIG. 2

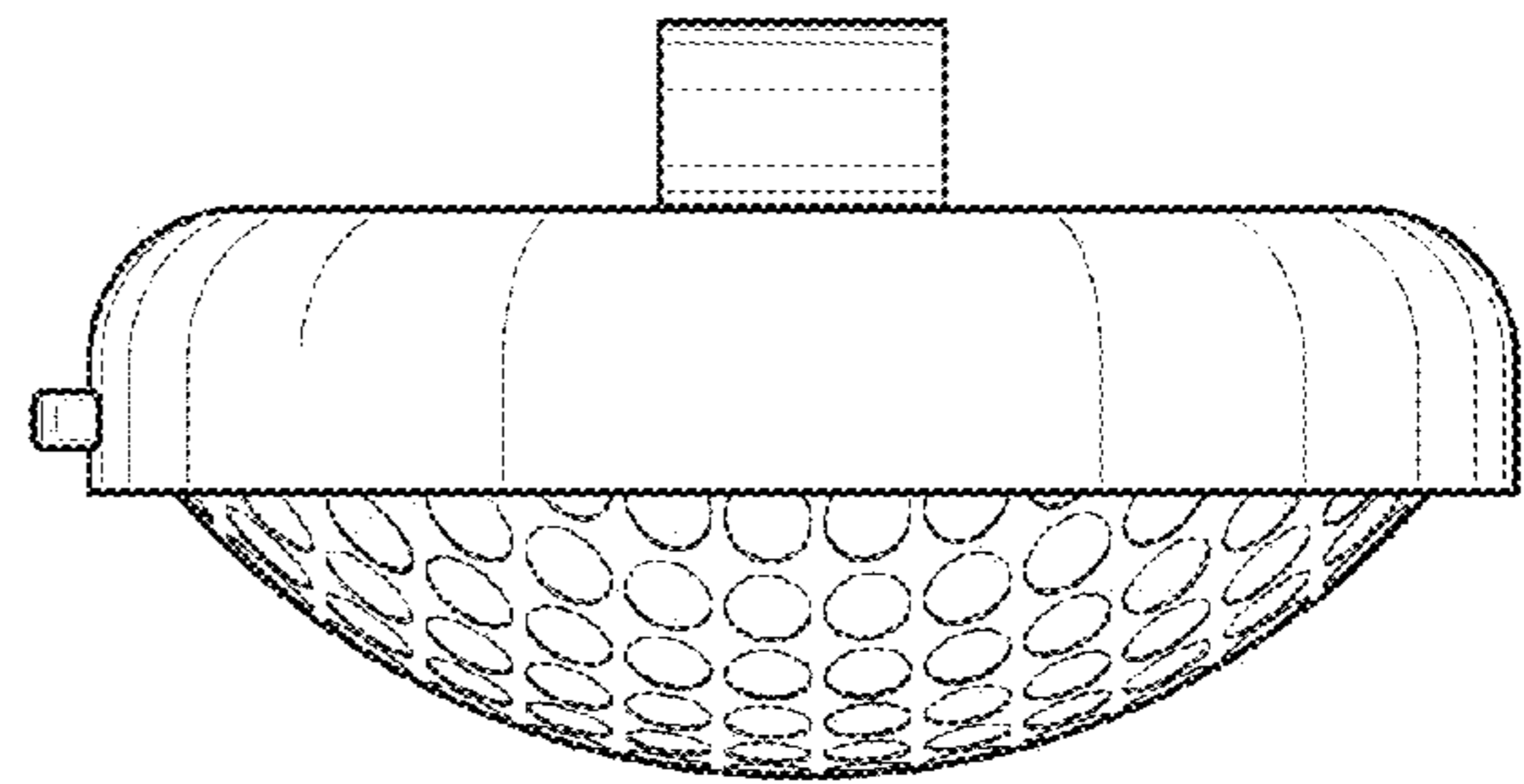


FIG. 4

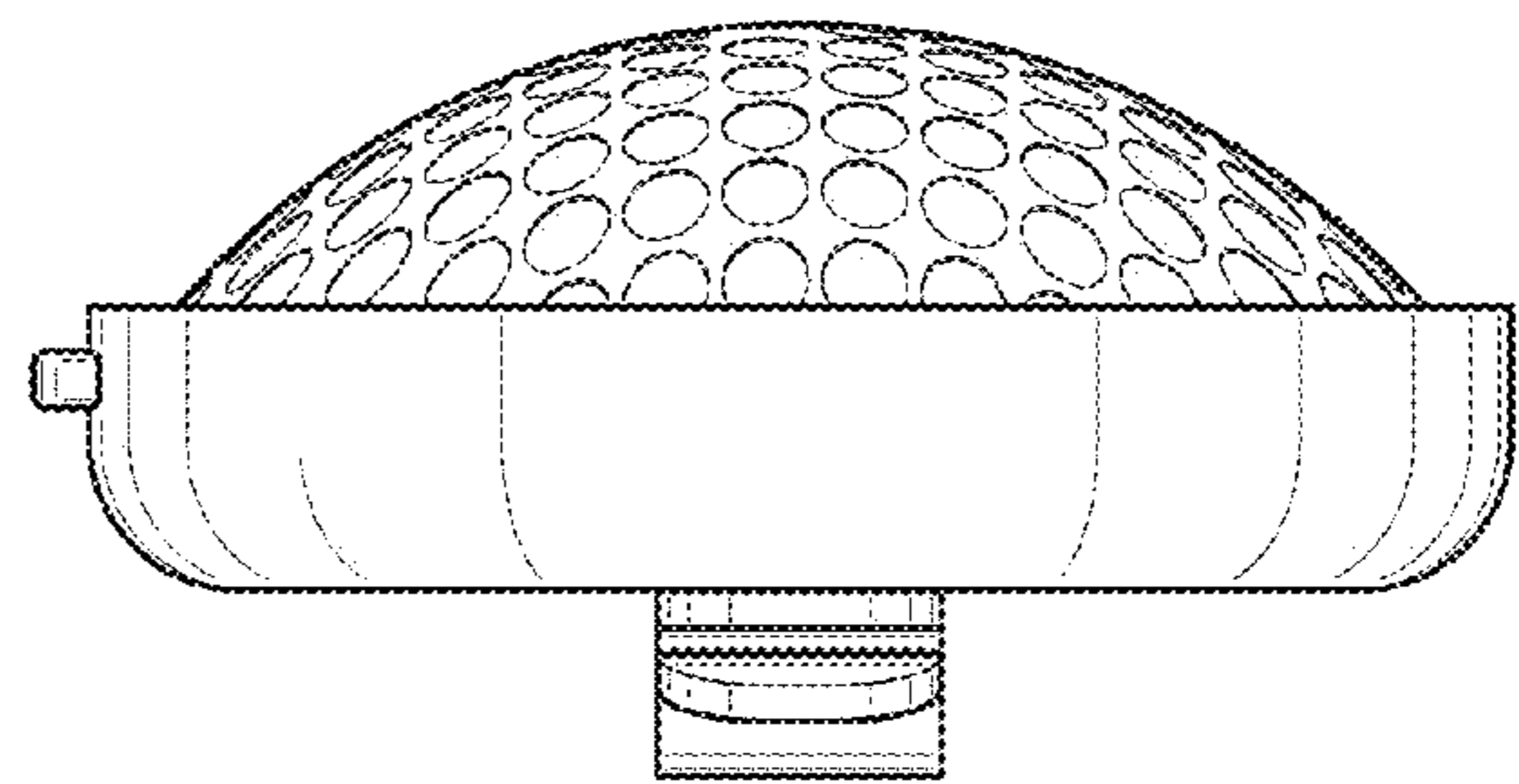


FIG. 5

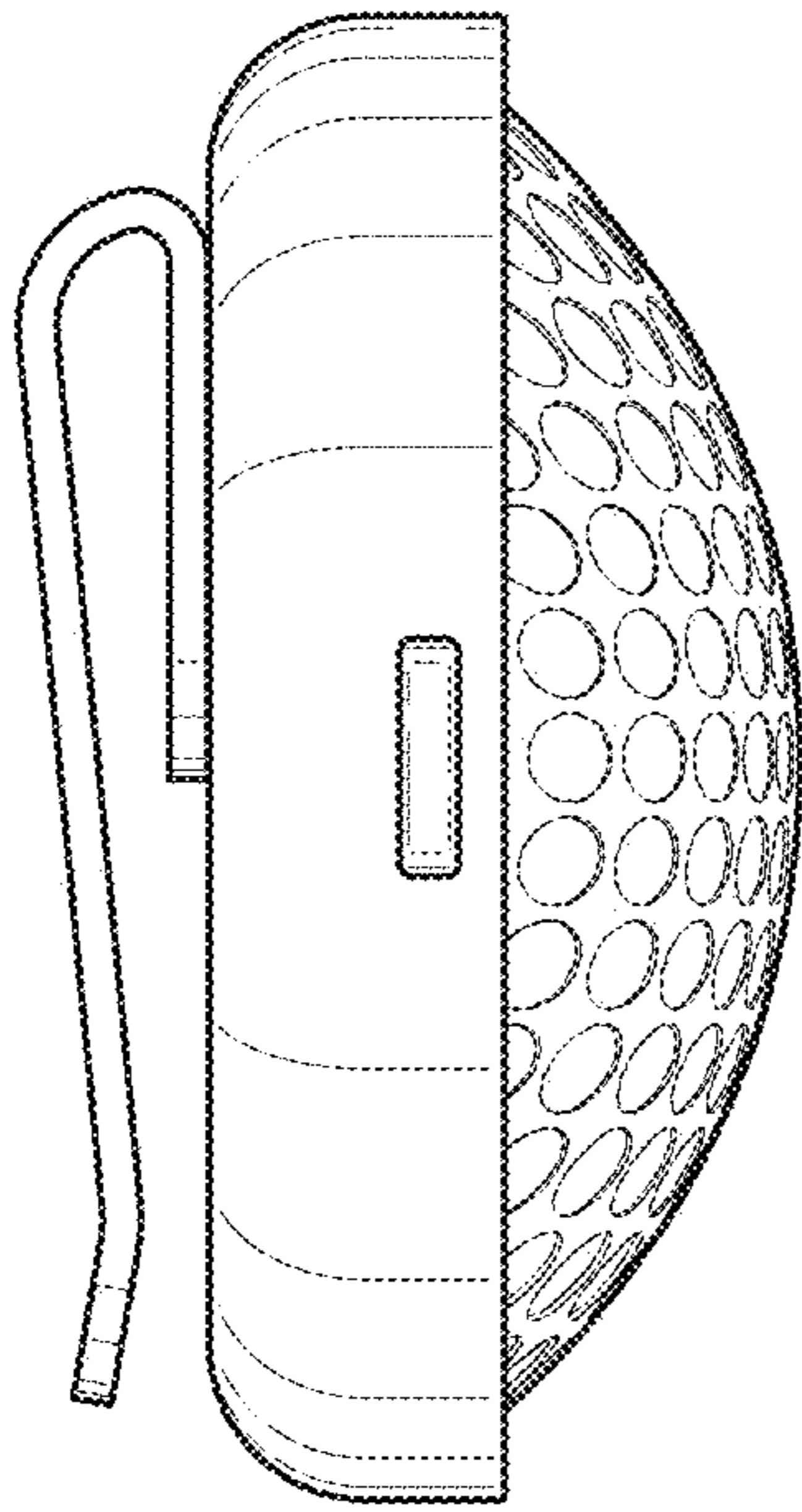


FIG. 6

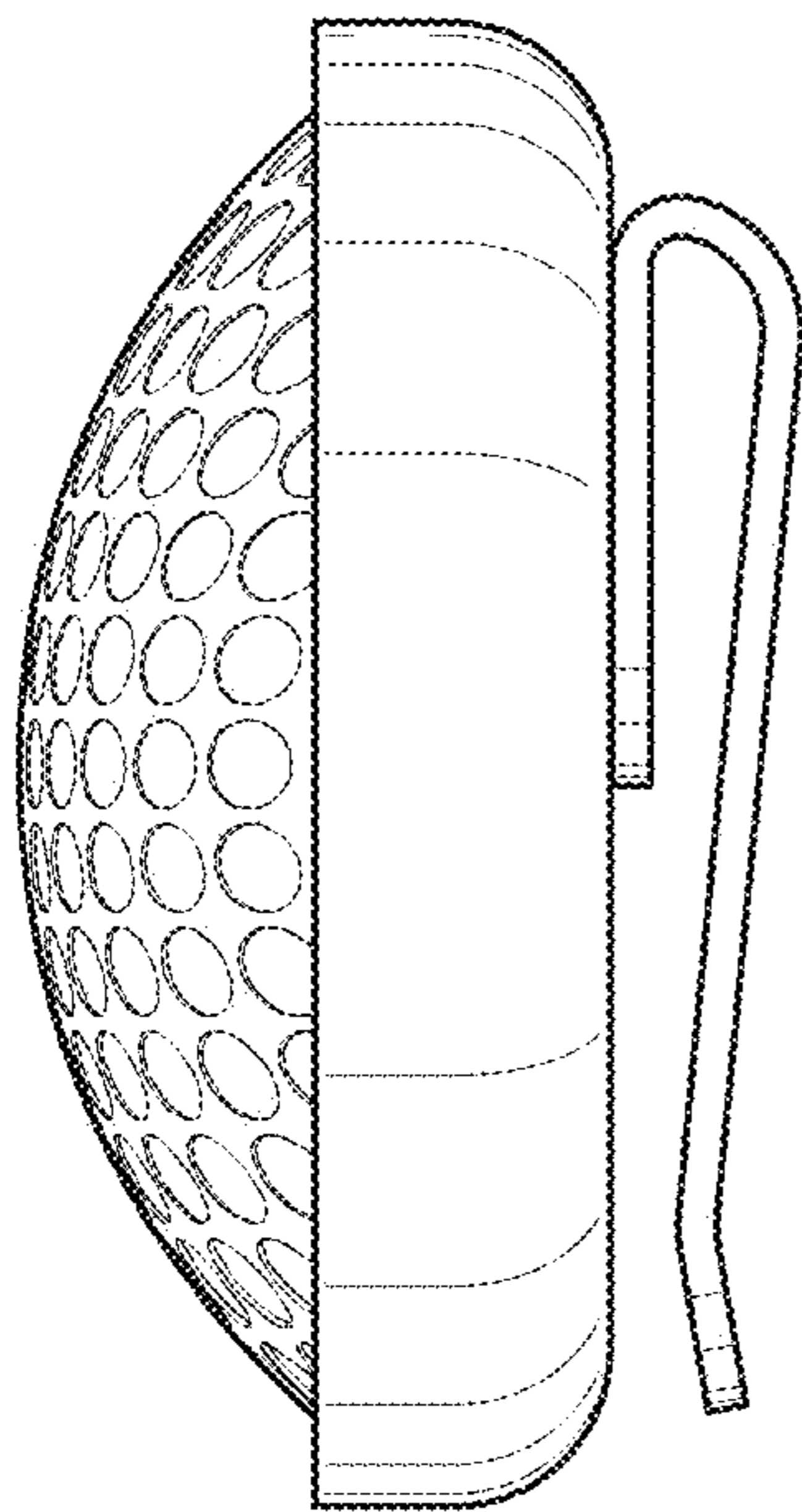


FIG. 7

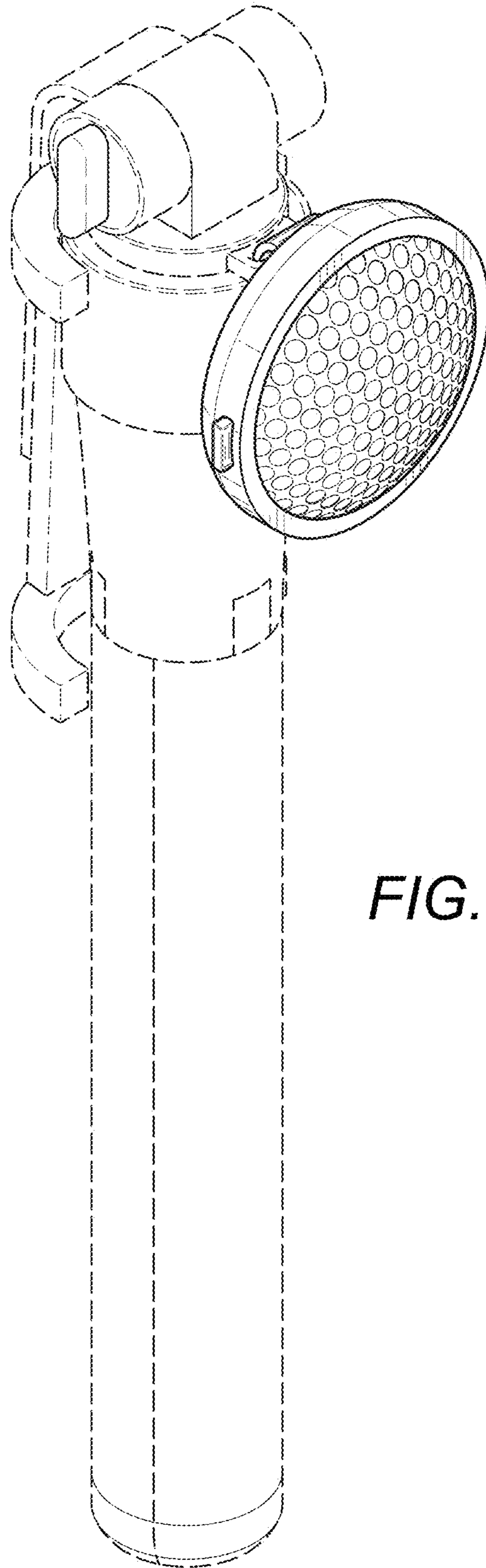


FIG. 8