



US00D911419S

(12) **United States Design Patent**
Horie et al.

(10) **Patent No.:** **US D911,419 S**
(45) **Date of Patent:** **** Feb. 23, 2021**

(54) **MAIN BODY OF IMAGE INSPECTION CAMERA**

(71) Applicant: **OMRON Corporation**, Kyoto (JP)

(72) Inventors: **Masaru Horie**, Kusatsu (JP); **Shingo Inazumi**, Amagasaki (JP)

(73) Assignee: **OMRON Corporation**, Kyoto (JP)

(**) Term: **15 Years**

(21) Appl. No.: **29/708,766**

(22) Filed: **Oct. 9, 2019**

(51) **LOC (13) Cl.** **16-05**

(52) **U.S. Cl.**
USPC **D16/219**

(58) **Field of Classification Search**
USPC D16/200, 202–206, 208, 218, 219;
348/373–376; 396/535, 539–541
CPC G03B 15/03; G03B 17/02; G03B 17/04;
G03B 17/56; G03B 19/04; H04N 5/2251;
H04N 5/2252; H04N 5/2253; H04N
5/2254; H04N 2101/00
See application file for complete search history.

(56) **References Cited**

U.S. PATENT DOCUMENTS

D489,388 S * 5/2004 Saito D16/200
D510,376 S * 10/2005 Yamakami D16/200

D511,182 S * 11/2005 Kato D16/200
D564,562 S * 3/2008 Honma D16/200
D586,376 S * 2/2009 Kurfiss D16/200
D598,039 S * 8/2009 Owada D16/134
D692,473 S * 10/2013 Kawaguchi D16/202
D699,775 S * 2/2014 Li D16/217
D699,776 S * 2/2014 Li D16/217
D699,777 S * 2/2014 Li D16/217
D715,347 S * 10/2014 Troxel D16/202
D755,271 S * 5/2016 Patulski D16/202
D774,584 S * 12/2016 Walters D16/200

* cited by examiner

Primary Examiner — Ramzi S Almatrahi

(74) *Attorney, Agent, or Firm* — Capitol City TechLaw

(57) **CLAIM**

The ornamental design for a main body of image inspection camera, as shown and described.

DESCRIPTION

FIG. 1 is a front, top, and right side perspective view of a main body of image inspection camera showing our new design;

FIG. 2 is a front view thereof;

FIG. 3 is a left side view thereof;

FIG. 4 is a right side view thereof;

FIG. 5 is a top view thereof; and,

FIG. 6 is a bottom view thereof.

The dashed broken lines in the figures show portions of the main body of image inspection camera that form no part of the claimed design.

1 Claim, 6 Drawing Sheets

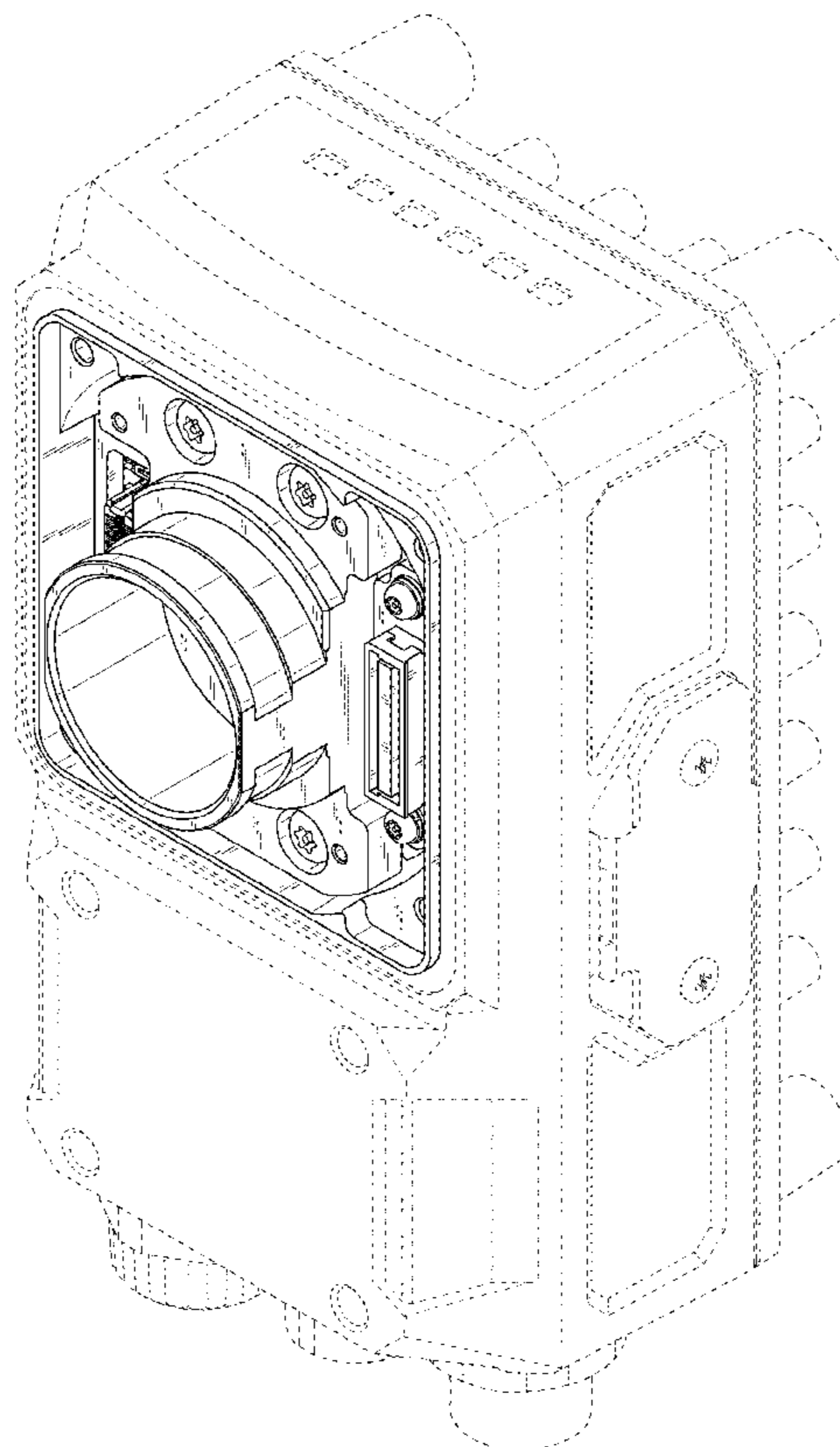


Fig. 1

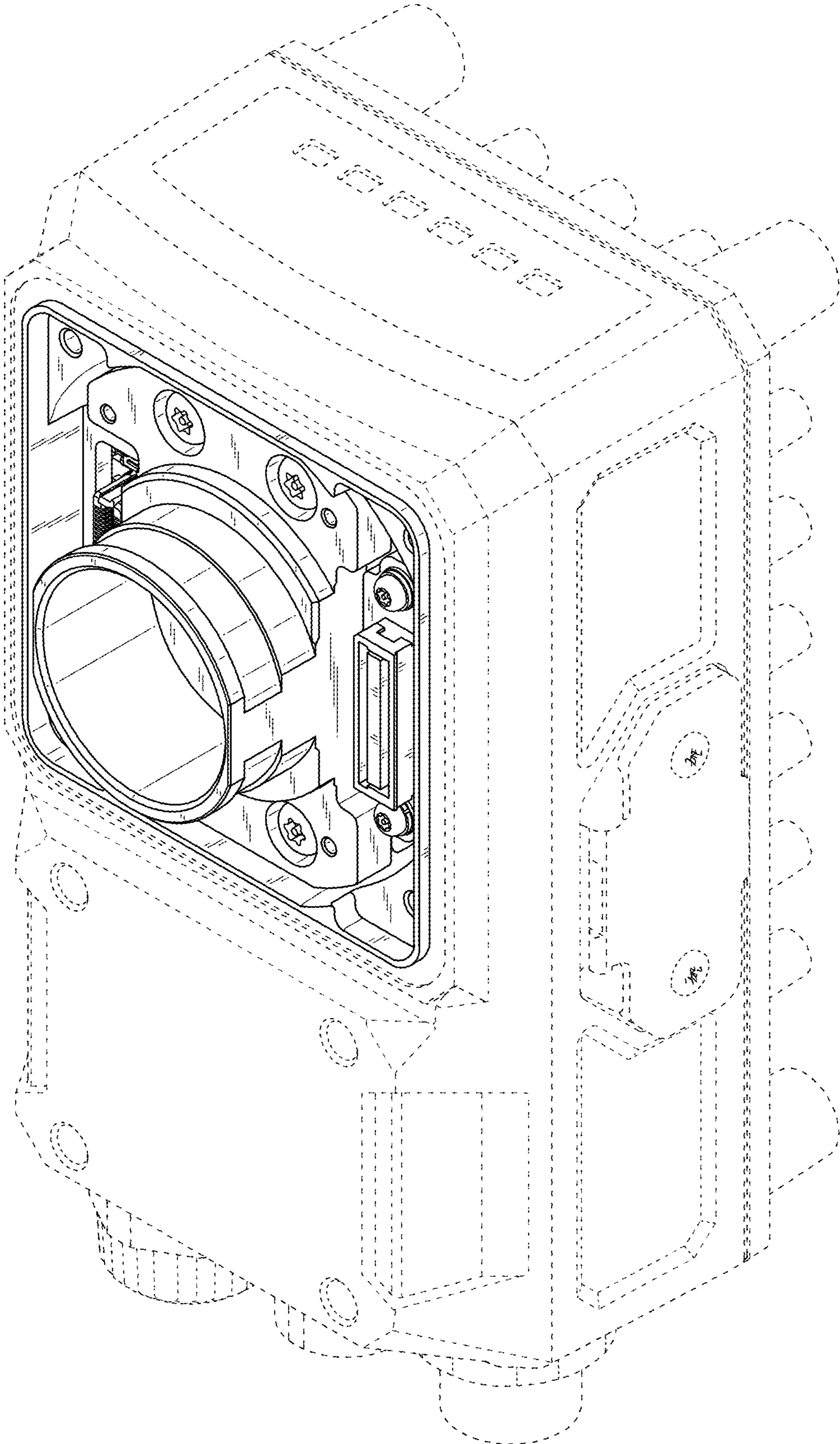


Fig. 2

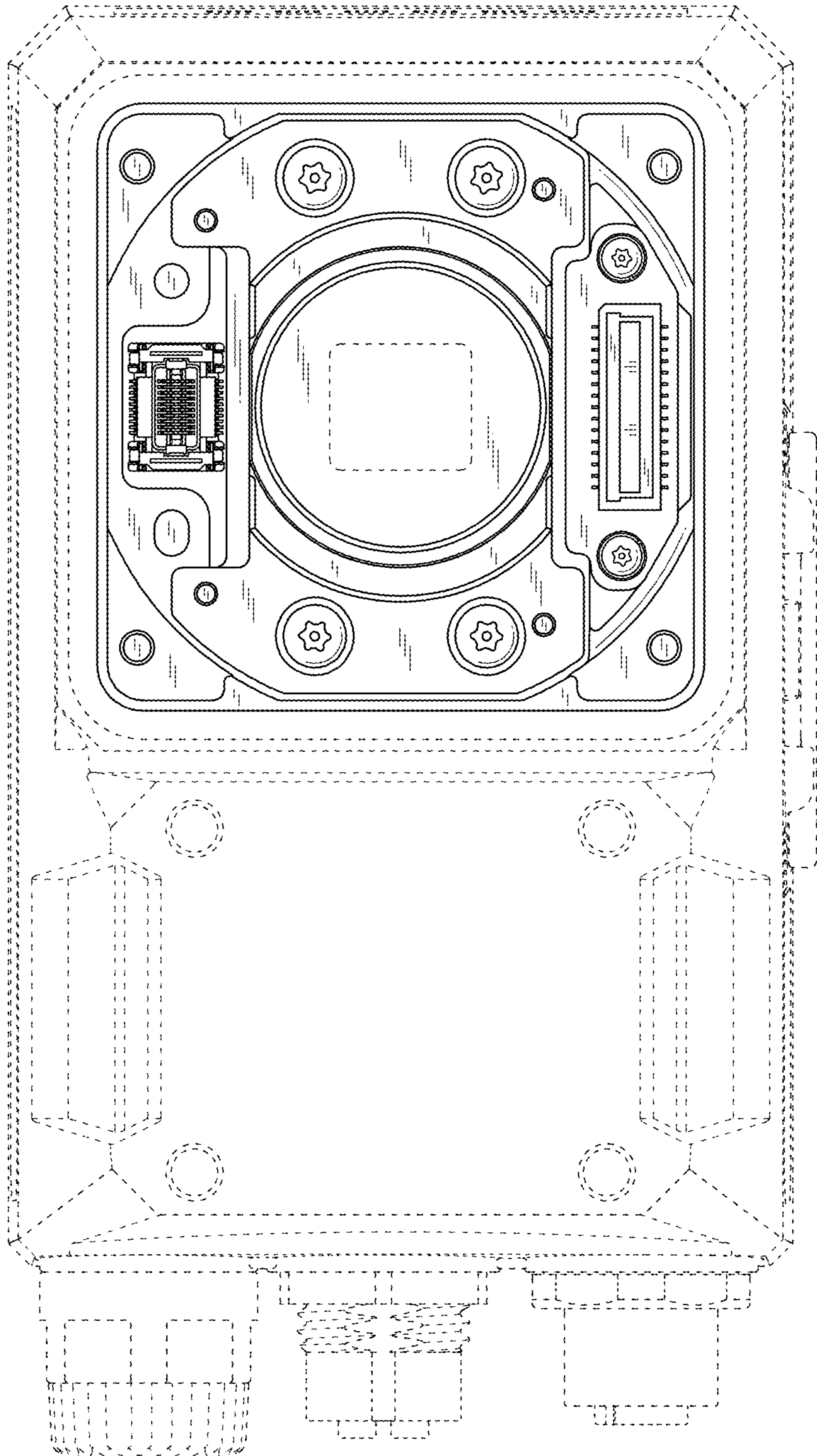


Fig. 3

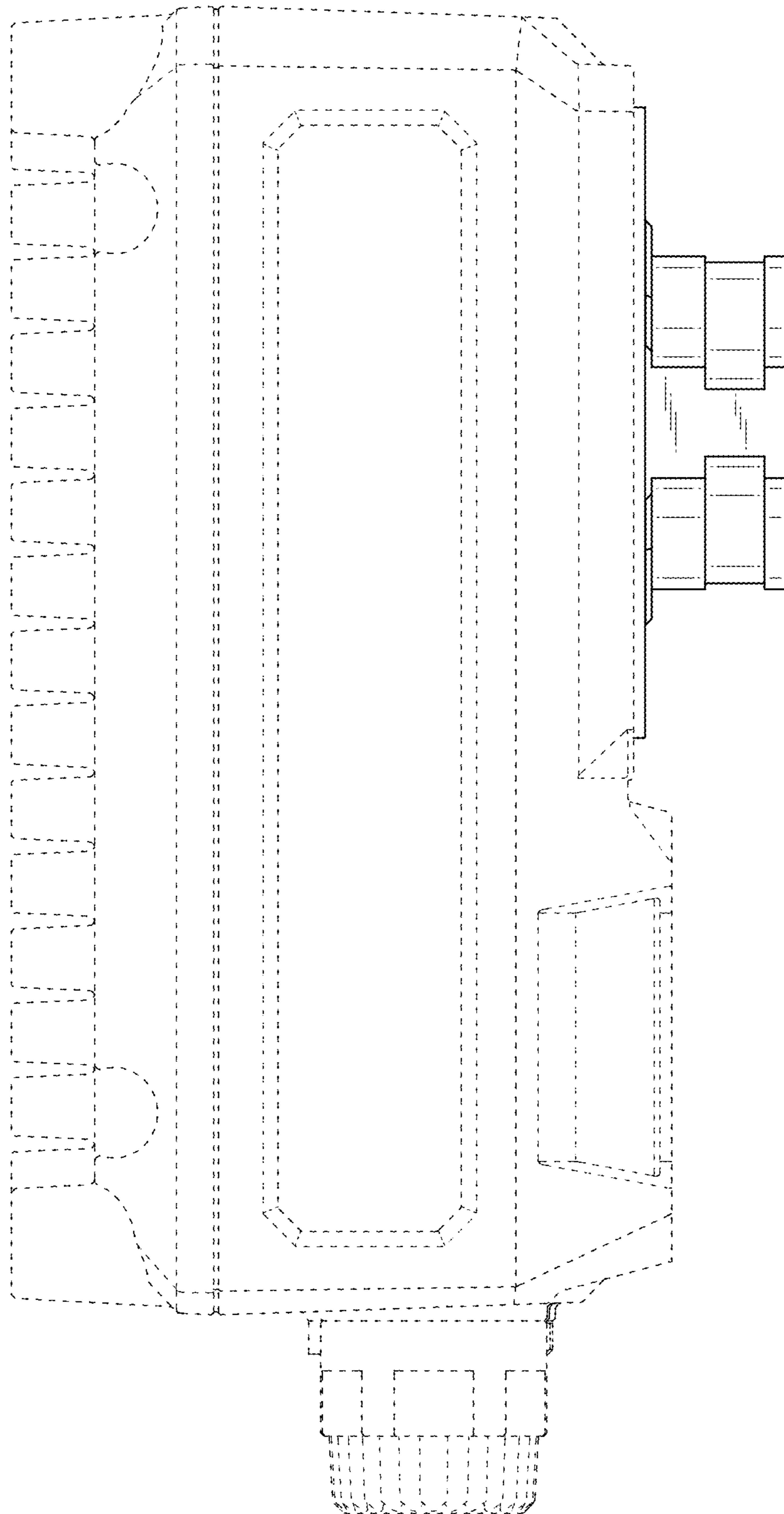


Fig. 4

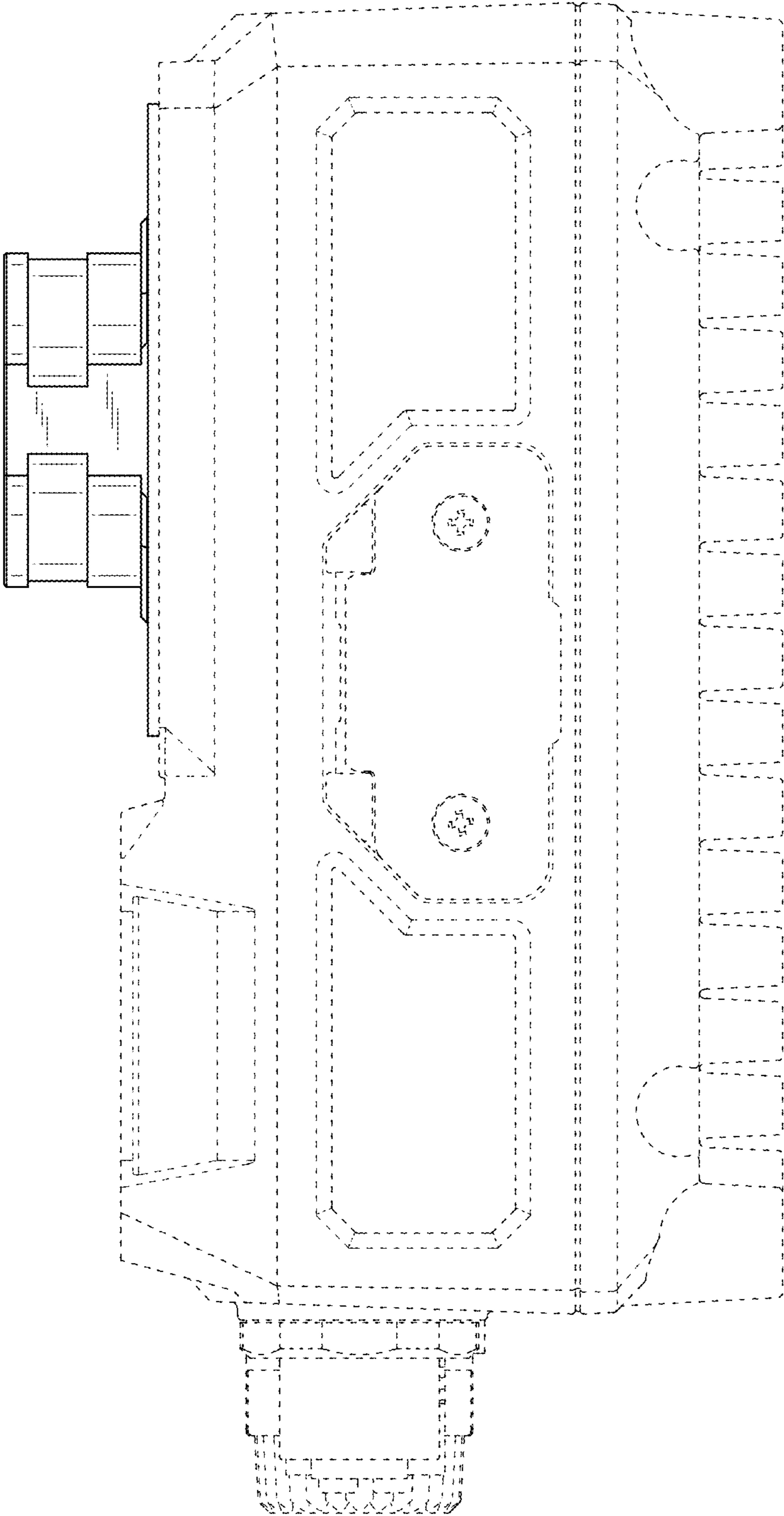


Fig. 5

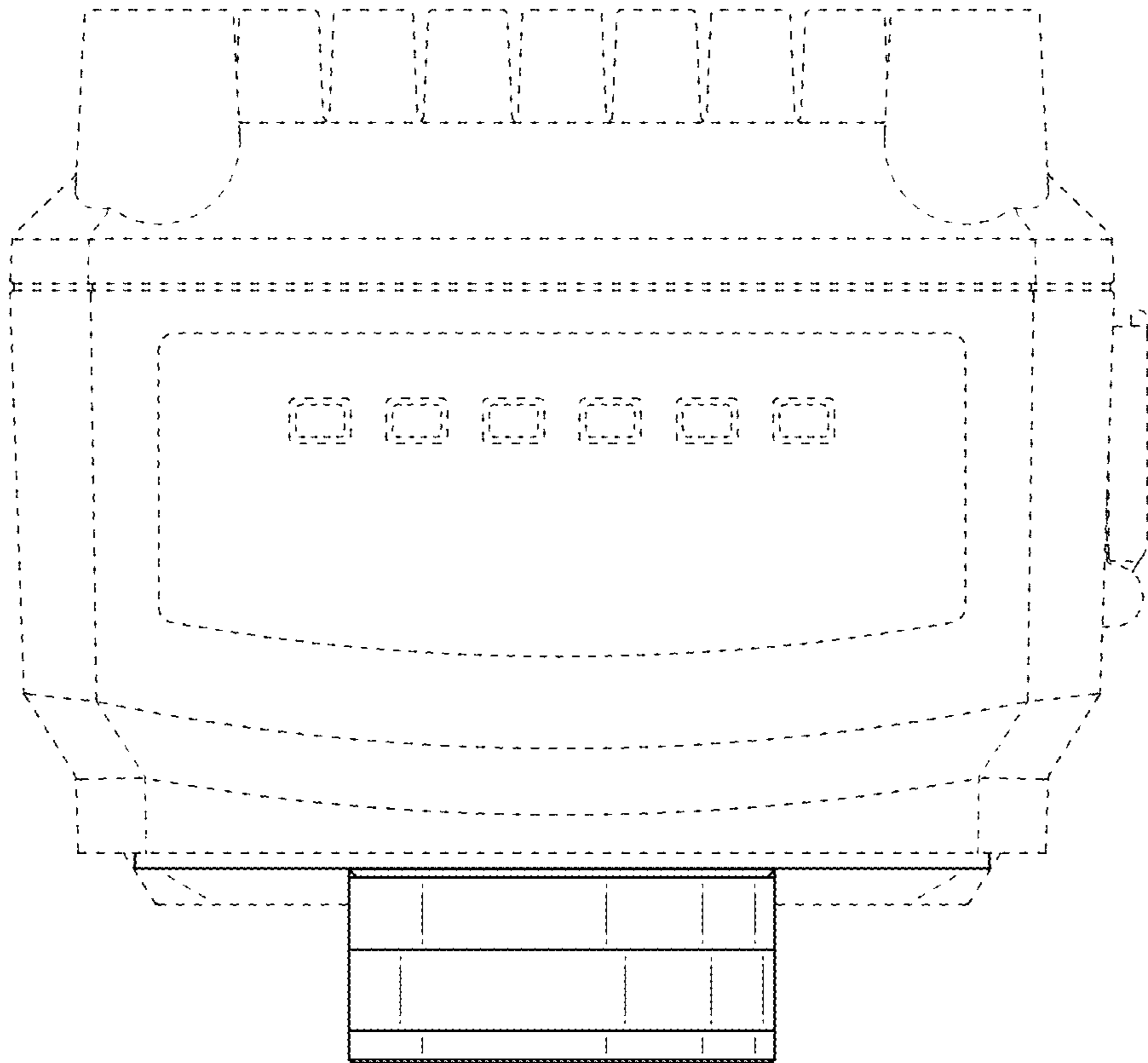


Fig. 6

