



US00D911418S

(12) **United States Design Patent** (10) **Patent No.:** **US D911,418 S**
Yap et al. (45) **Date of Patent:** **** *Feb. 23, 2021**

- (54) **CAMERA HOUSING**
- (71) Applicant: **GoPro, Inc.**, San Mateo, CA (US)
- (72) Inventors: **Derek Yap**, San Carlos, CA (US); **Evan L. Coons**, San Mateo, CA (US); **Joshua P. Davies**, Fremont, CA (US); **Richard Gioscia**, Santa Clara, CA (US); **Seunghoon Lee**, Cupertino, CA (US)
- (73) Assignee: **GoPro, Inc.**, San Mateo, CA (US)
- (*) Notice: This patent is subject to a terminal disclaimer.
- (**) Term: **15 Years**
- (21) Appl. No.: **29/695,181**
- (22) Filed: **Jun. 17, 2019**

Related U.S. Application Data

- (63) Continuation of application No. 29/654,195, filed on Jun. 21, 2018, now Pat. No. Des. 852,259, which is a continuation of application No. 29/588,383, filed on Dec. 20, 2016, now Pat. No. Des. 821,481, which is a continuation of application No. 29/557,076, filed on Mar. 4, 2016, now Pat. No. Des. 778,336, which is a continuation of application No. 29/516,749, filed on Feb. 5, 2015, now Pat. No. Des. 751,133, which is a continuation of application No. 29/491,394, filed on May 20, 2014, now Pat. No. Des. 725,169, which is a continuation of application No. 29/461,140, filed on Jul. 18, 2013, now Pat. No. Des. 710,921.
- (51) **LOC (13) Cl.** **16-05**
- (52) **U.S. Cl.**
USPC **D16/219**; D16/200
- (58) **Field of Classification Search**
USPC D16/200, 202–204, 208, 211, 218, 219, D16/237, 242; D3/263, 267, 268; 248/176.1, 187.1; 348/81, 360, 373–376, 348/835; 396/25, 27–29, 419, 535, 396/539–541

CPC G03B 15/03; G03B 17/02; G03B 17/04; G03B 17/08; G03B 17/56; G03B 19/04; H04N 5/2251; H04N 5/2252; H04N 5/2253; H04N 5/2254; A45C 11/38
See application file for complete search history.

(56) **References Cited**

U.S. PATENT DOCUMENTS

D321,704 S 11/1991 Leonard
D367,283 S 2/1996 Lyon
(Continued)

Primary Examiner — Ramzi S Almatrahi
(74) *Attorney, Agent, or Firm* — Young Basile Hanlon & MacFarlane, P.C.

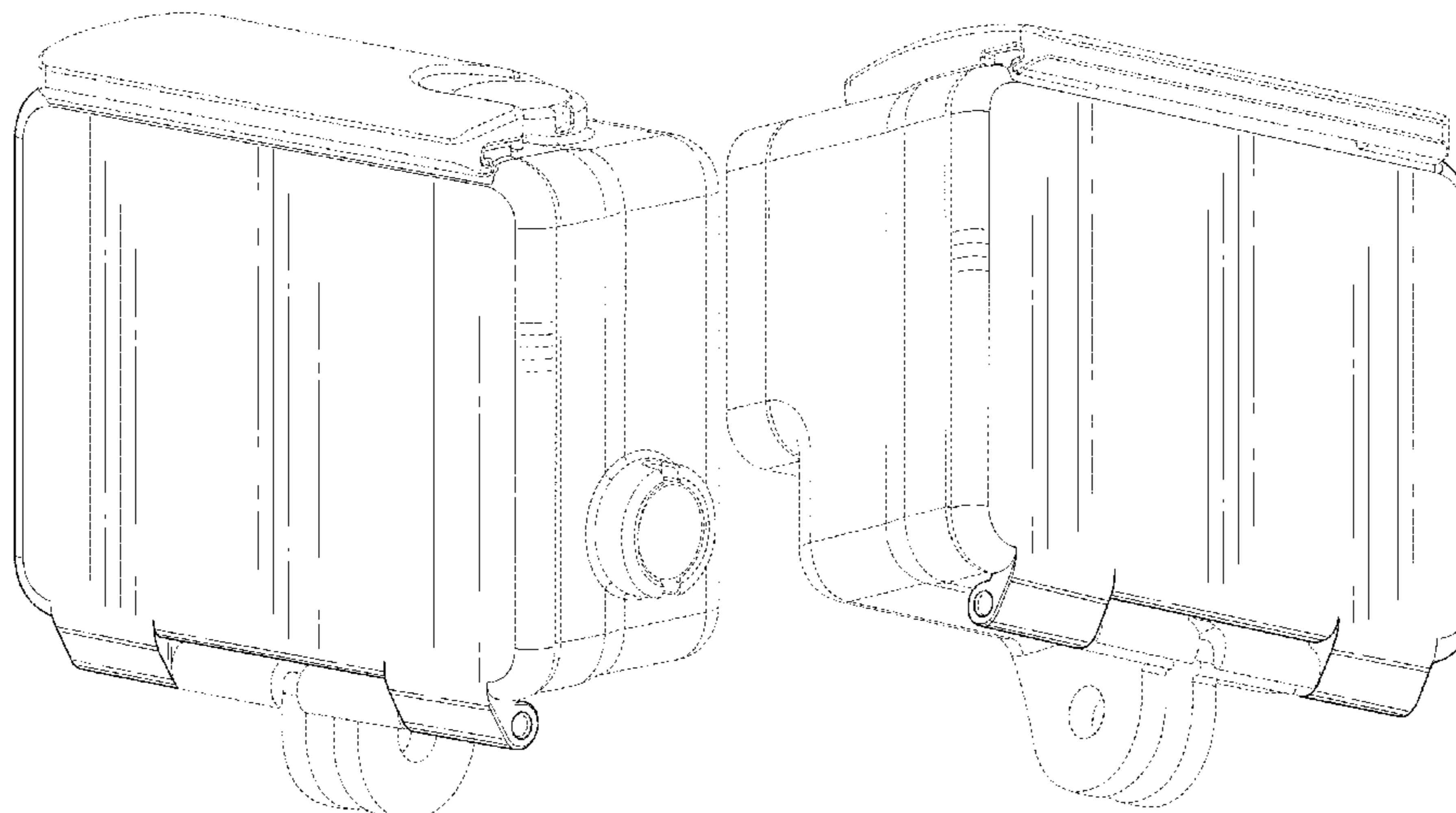
(57) **CLAIM**

The ornamental design for a camera housing, as shown and described.

DESCRIPTION

FIG. 1 is a front, top and right side perspective view of a camera housing showing our new design;
FIG. 2 is a front, bottom and left side perspective view thereof;
FIG. 3 is a rear, bottom and right side perspective view thereof;
FIG. 4 is a rear, bottom and left side perspective view thereof;
FIG. 5 is a front elevational view thereof;
FIG. 6 is a rear elevational view thereof;
FIG. 7 is a left side elevational view thereof;
FIG. 8 is a right side elevational view thereof;
FIG. 9 is a top plan view thereof; and,
FIG. 10 is a bottom plan view thereof.
The broken lines depict portions of the camera housing in which the design is embodied that form no part of the claimed design.

1 Claim, 10 Drawing Sheets



(56)

References Cited

U.S. PATENT DOCUMENTS

| | | | | | |
|--------------|---------|------------------|-----------------|---------|-----------------------|
| D419,296 S | 1/2000 | Shinano | D710,922 S | 8/2014 | Gioscia |
| D425,092 S | 5/2000 | Eto | 8,870,475 B1 | 10/2014 | Bennett |
| D453,177 S | 1/2002 | Uehara | D719,811 S | 12/2014 | Cooper |
| D540,669 S | 4/2007 | George | D721,395 S | 1/2015 | Woodman |
| D550,742 S | 9/2007 | Ishii | D724,638 S | 3/2015 | Samuels |
| 7,653,292 B2 | 1/2010 | Yamaguchi | D725,169 S | 3/2015 | Gioscia |
| D616,479 S | 5/2010 | Ganahl | 9,004,783 B1 | 4/2015 | Woodman |
| D621,432 S | 8/2010 | Yim | D729,515 S | 5/2015 | Slimane |
| D622,591 S | 8/2010 | Biesecker | D732,593 S | 6/2015 | Woodman |
| D635,436 S | 4/2011 | Barton | D733,787 S | 7/2015 | Baker |
| D635,437 S | 4/2011 | Barton | D733,788 S | 7/2015 | Baker |
| D635,438 S | 4/2011 | Barton | D734,799 S | 7/2015 | Woodman |
| D635,439 S | 4/2011 | Barton | D735,260 S | 7/2015 | Bould |
| D635,440 S | 4/2011 | Barton | D739,451 S | 9/2015 | Gioscia |
| D640,058 S | 6/2011 | Molina Francisco | D740,868 S | 10/2015 | Gioscia |
| D642,054 S | 7/2011 | Samartgis | D740,876 S | 10/2015 | Woodman |
| D645,725 S | 9/2011 | Katz | D741,394 S | 10/2015 | Gioscia |
| 8,014,656 B2 | 9/2011 | Woodman | D750,146 S | 2/2016 | Costa |
| D646,313 S | 10/2011 | Woodman | D750,680 S | 3/2016 | Chen |
| D647,303 S | 10/2011 | Ward | D751,133 S | 3/2016 | Gioscia |
| D647,554 S | 10/2011 | Yim | D754,240 S | 4/2016 | Samuels |
| D657,808 S | 4/2012 | Woodman | D772,322 S | 11/2016 | Xianzhi |
| D657,811 S | 4/2012 | Woodman | D778,335 S | 2/2017 | Gioscia |
| D668,874 S | 10/2012 | Robinson | D789,435 S | 6/2017 | Nguyen |
| D674,428 S | 1/2013 | Woodman | D799,479 S | 10/2017 | Wieser |
| D674,429 S | 1/2013 | Woodman | D800,819 S | 10/2017 | Loney |
| D684,569 S | 6/2013 | Willenborg | D804,560 S | 12/2017 | Gioscia |
| D685,178 S | 7/2013 | Lv | D806,775 S | 1/2018 | Gioscia |
| 8,544,643 B2 | 10/2013 | Yim | D808,163 S * | 1/2018 | Song D3/269 |
| D693,114 S | 11/2013 | Lemanski, Sr. | D818,029 S | 5/2018 | Hiroyuki |
| 8,596,890 B2 | 12/2013 | Yim | D821,480 S * | 6/2018 | Gioscia D16/219 |
| D699,947 S | 2/2014 | To | D835,910 S * | 12/2018 | Eliyahu D3/294 |
| D700,778 S | 3/2014 | To | D837,861 S * | 1/2019 | Luo D16/200 |
| D702,276 S | 4/2014 | Woodman | D840,463 S * | 2/2019 | Nguyen D16/218 |
| D702,277 S | 4/2014 | Woodman | D852,259 S * | 6/2019 | Gioscia D16/219 |
| D702,747 S | 4/2014 | Woodman | D856,391 S * | 8/2019 | Liu D16/200 |
| D702,754 S | 4/2014 | Bould | 2003/0133206 A1 | 7/2003 | Belefant |
| D710,611 S | 8/2014 | Nguyen | 2007/0071423 A1 | 3/2007 | Fantone |
| D710,921 S | 8/2014 | Gioscia | 2009/0317069 A1 | 12/2009 | Yim |
| | | | 2016/0252801 A1 | 9/2016 | Harrison |

* cited by examiner

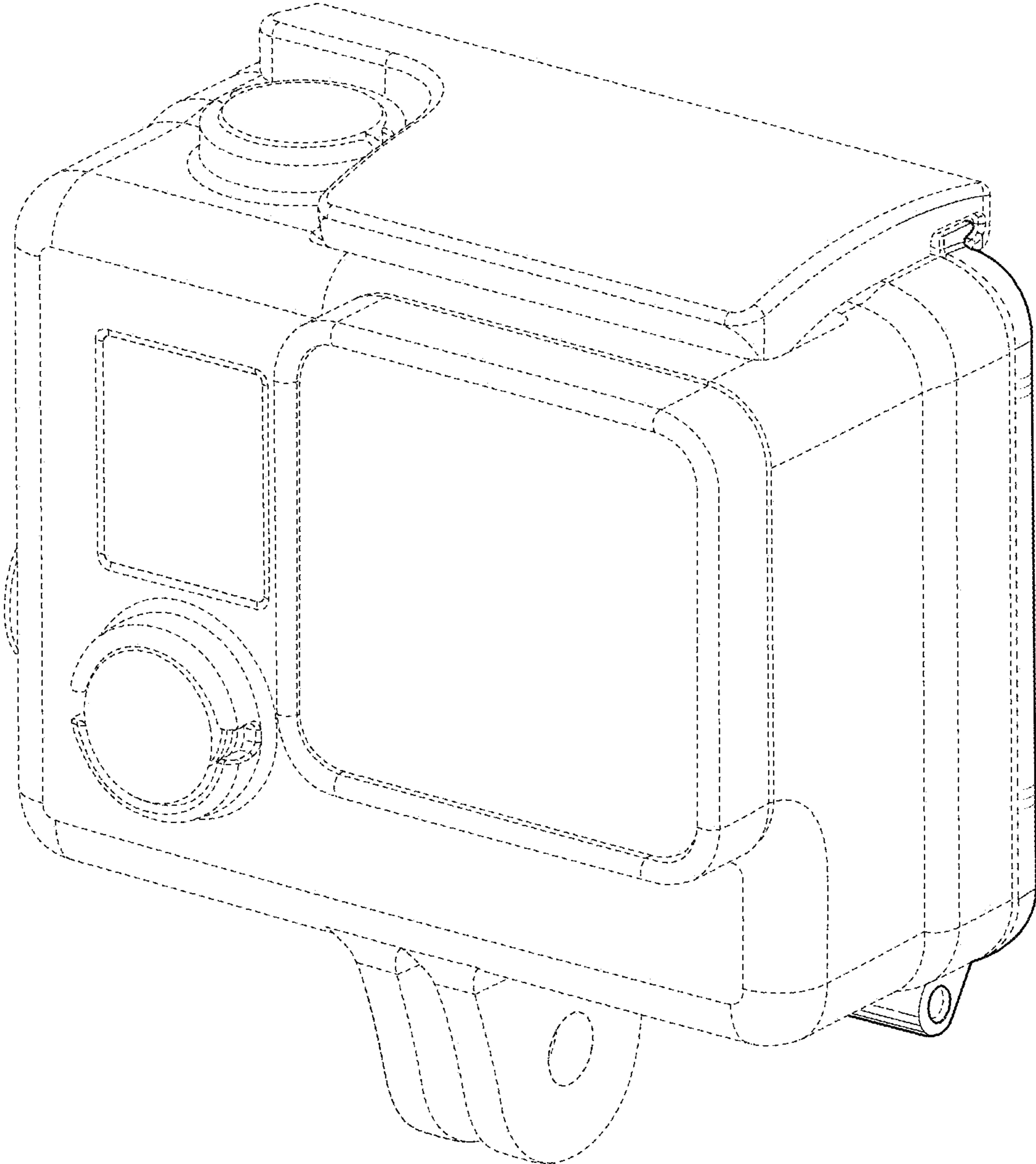


FIG. 1

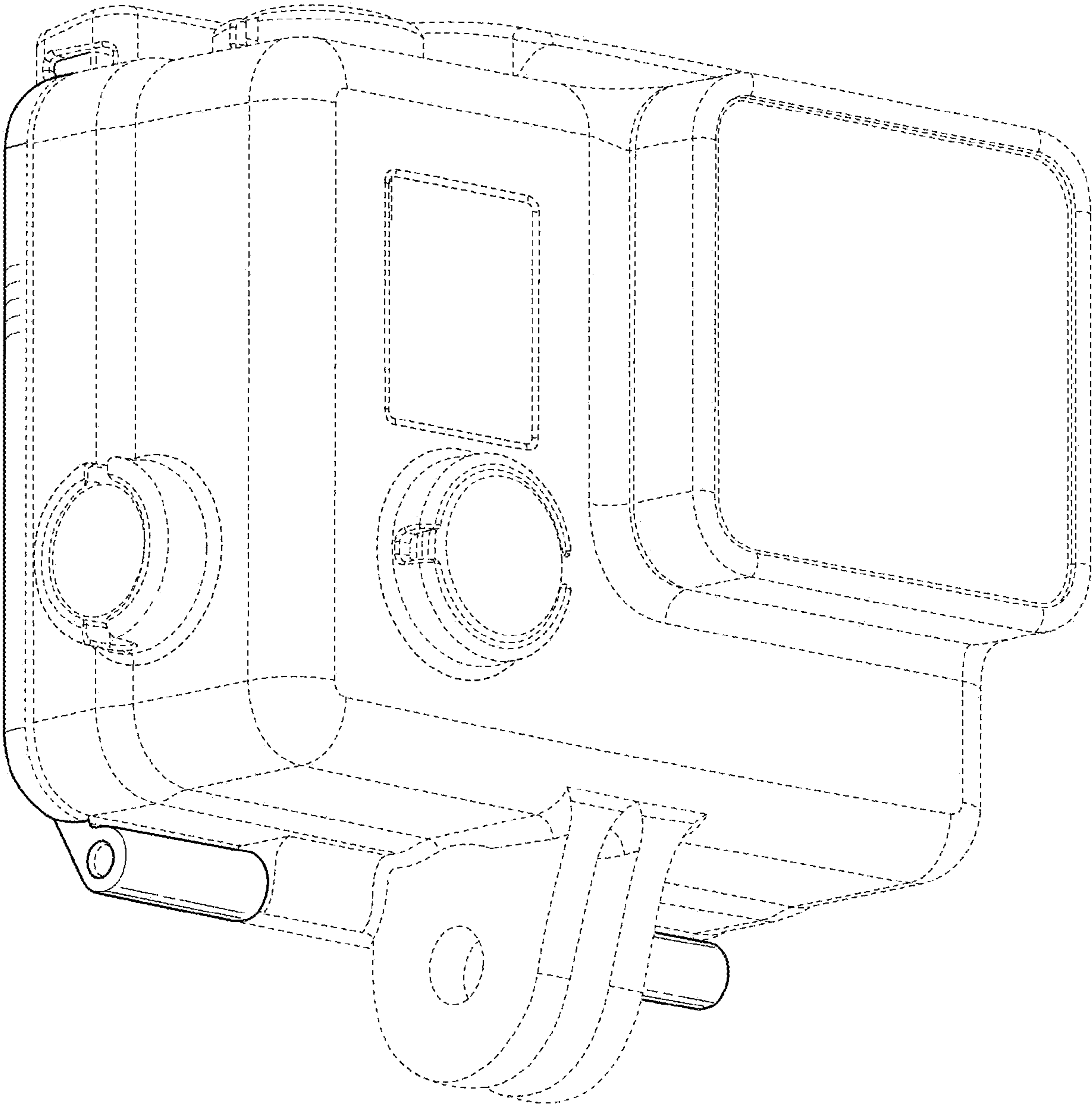


FIG. 2

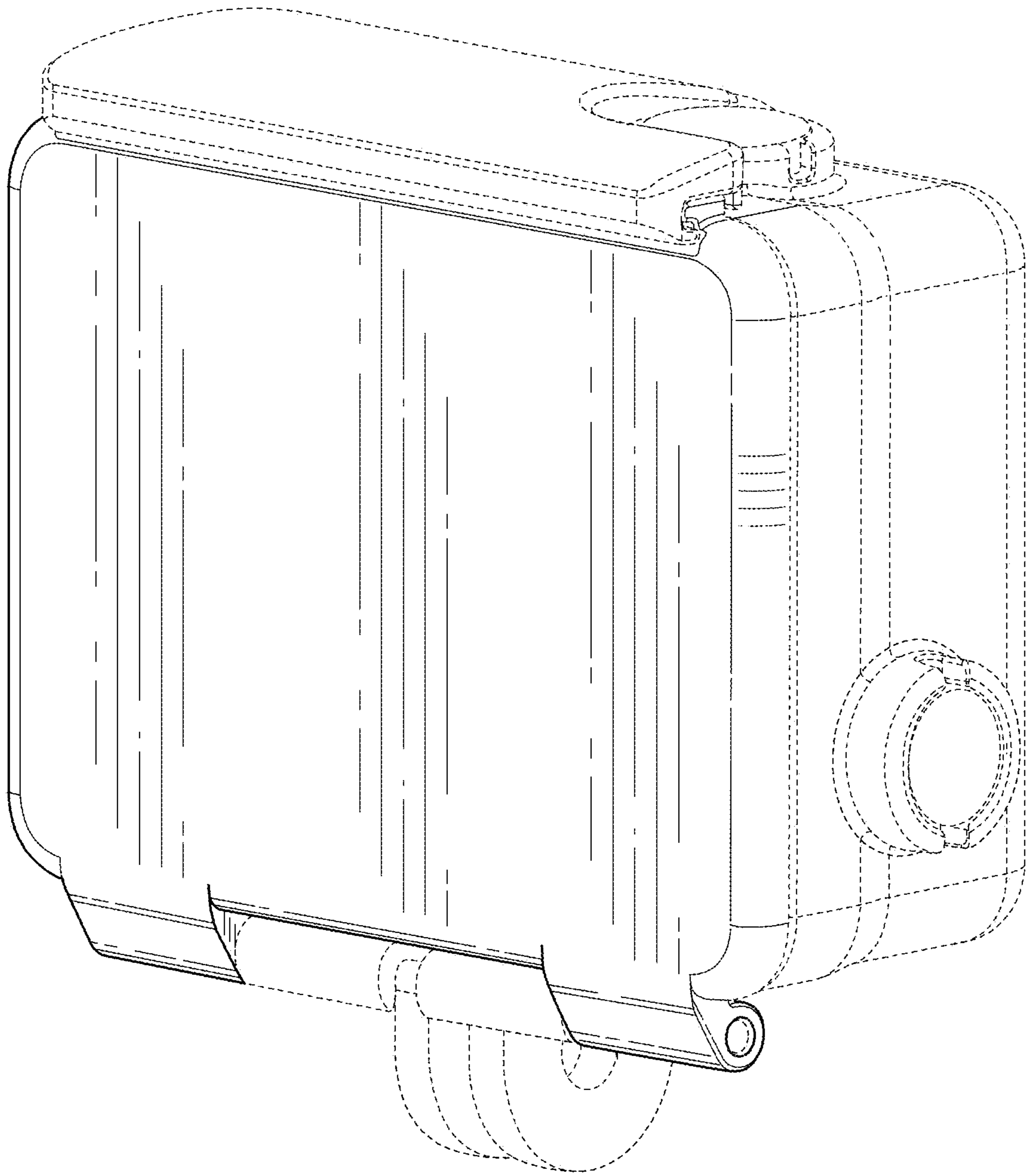


FIG. 3

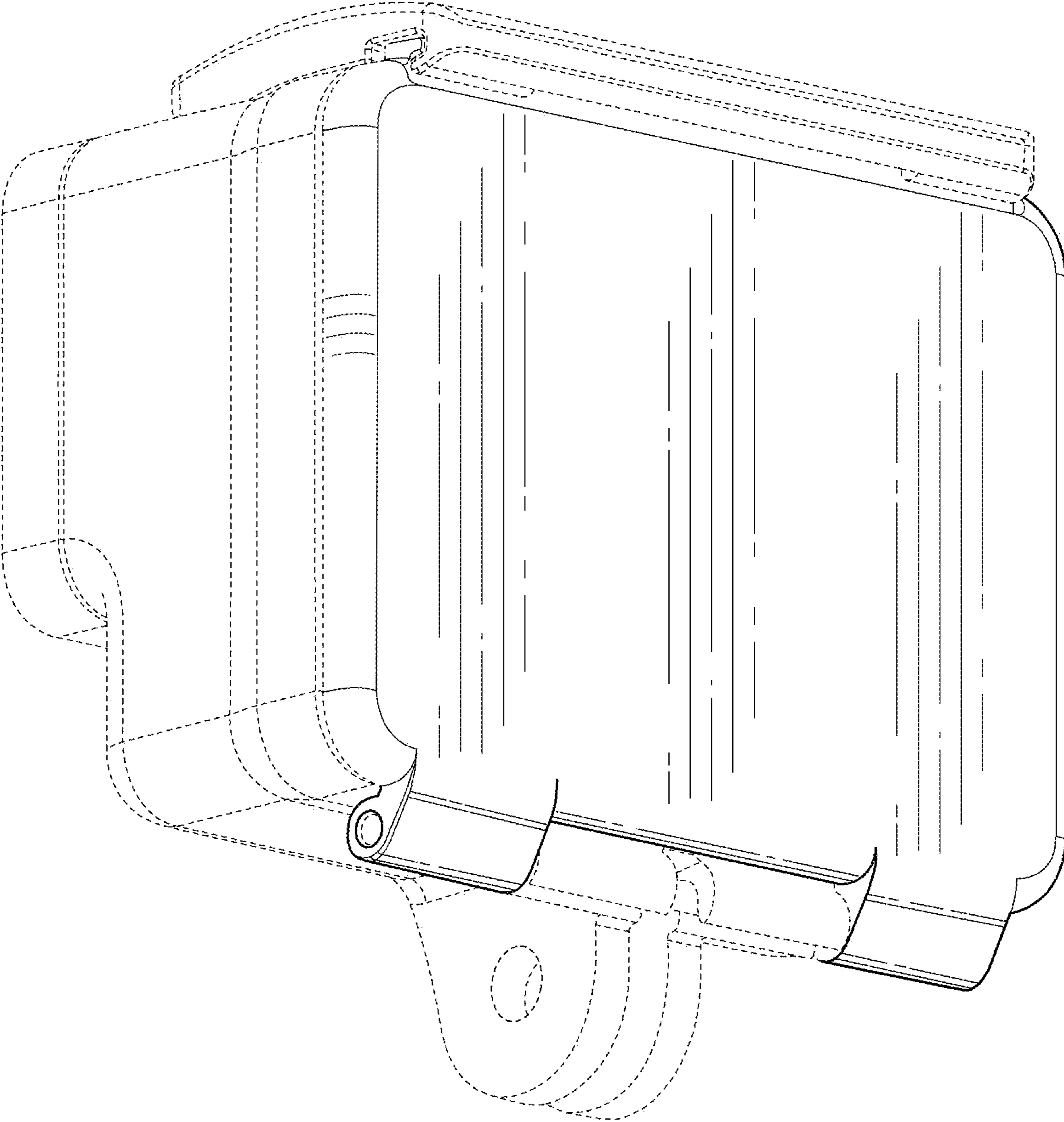


FIG. 4

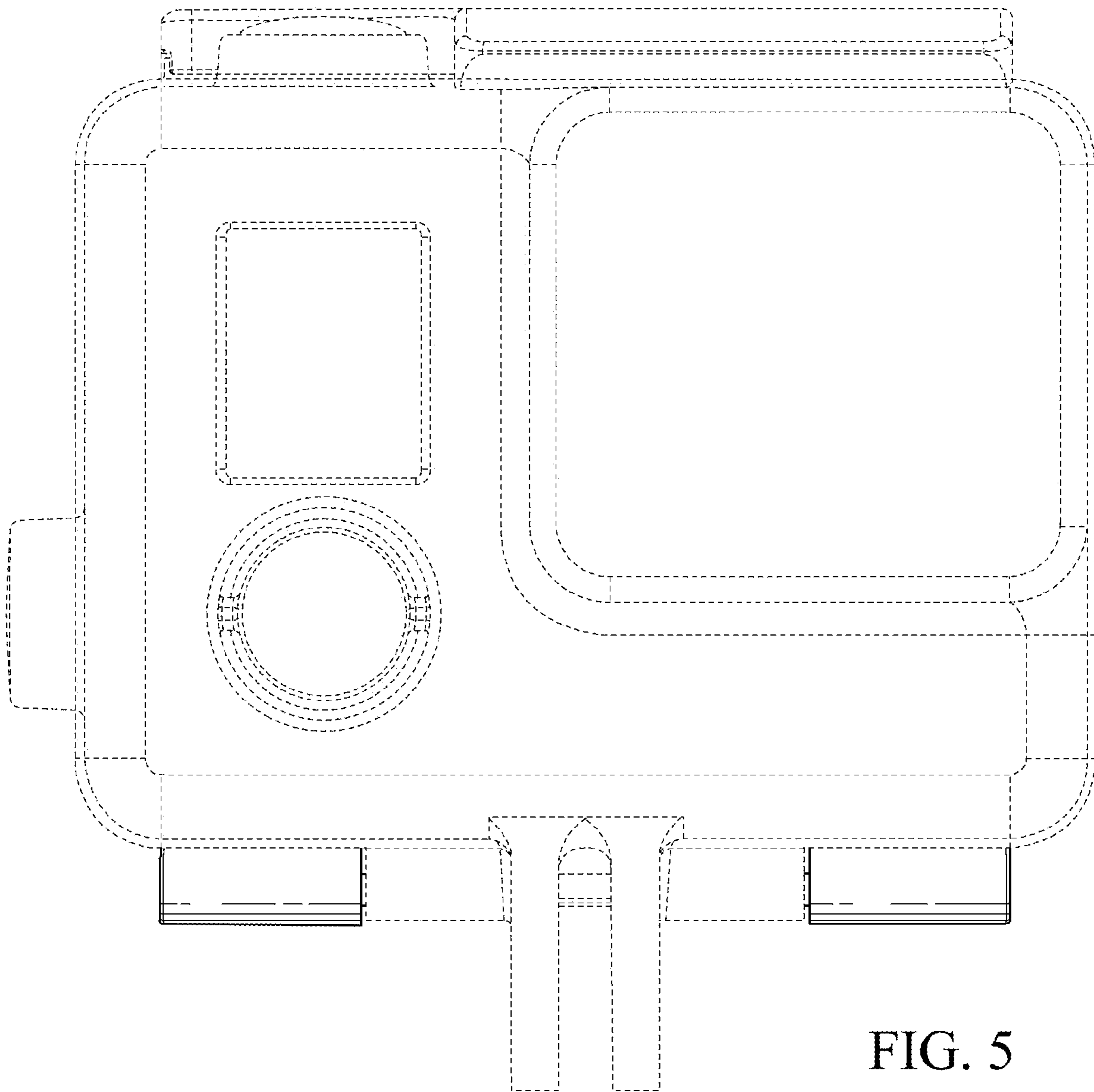


FIG. 5

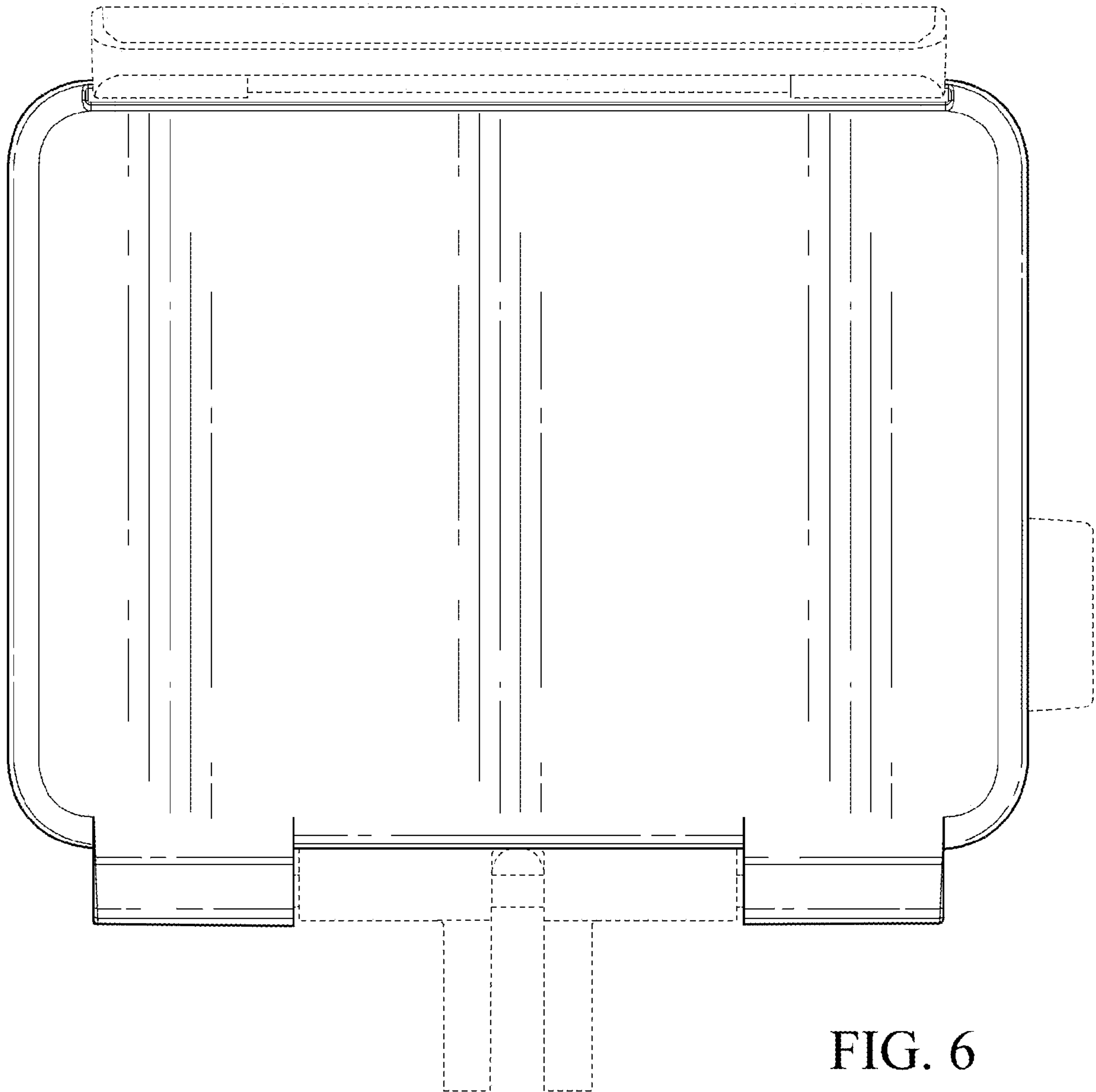


FIG. 6

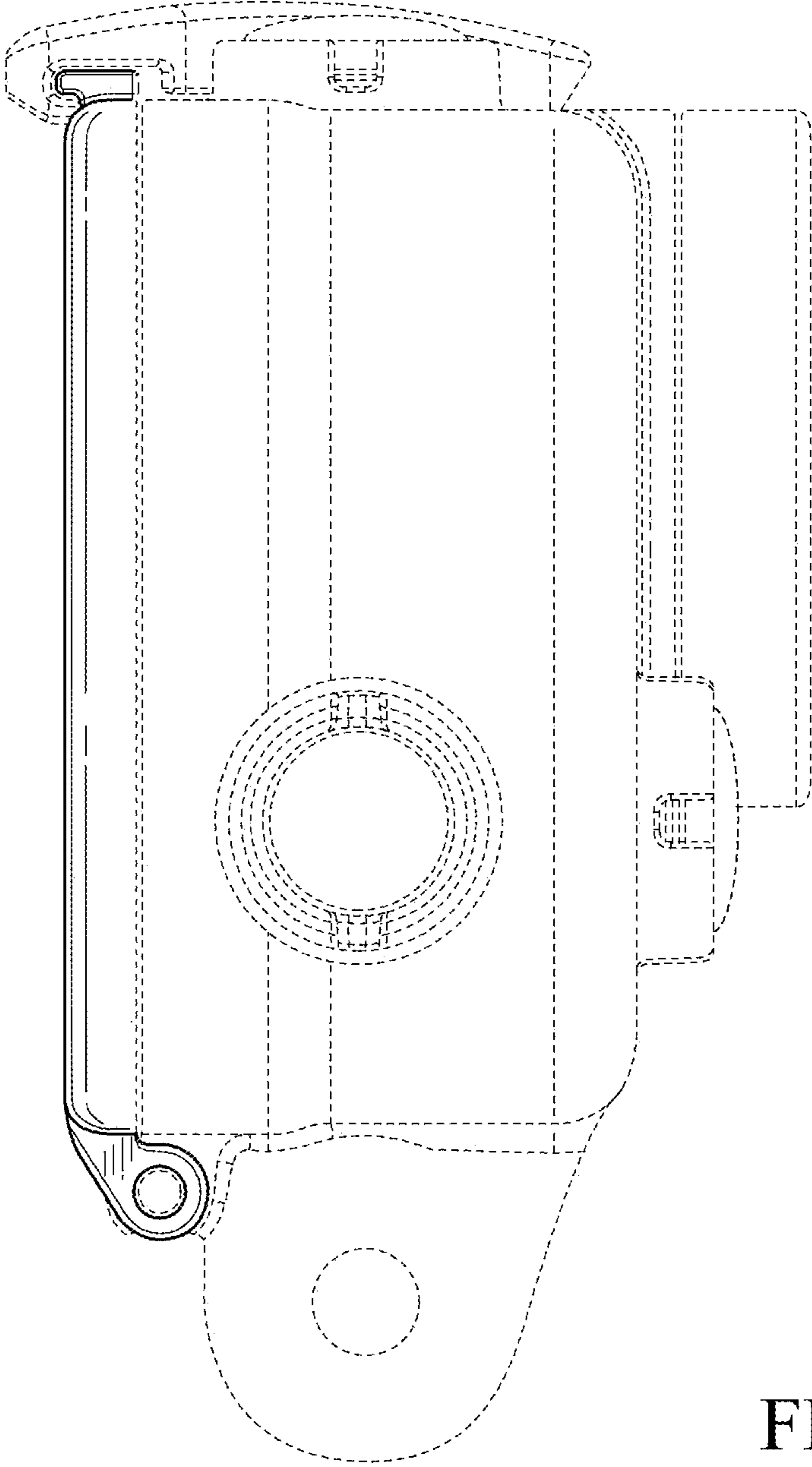


FIG. 7

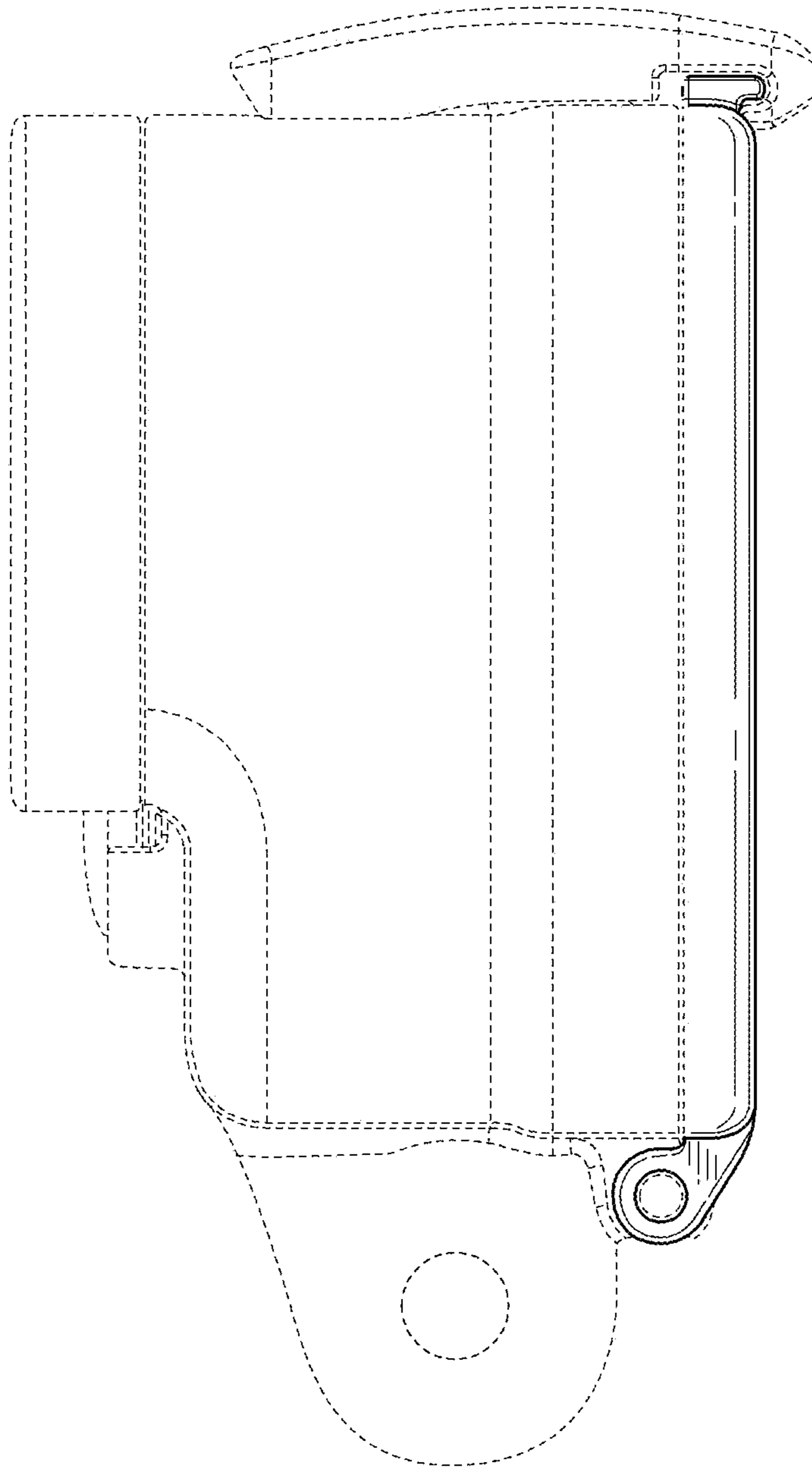


FIG. 8

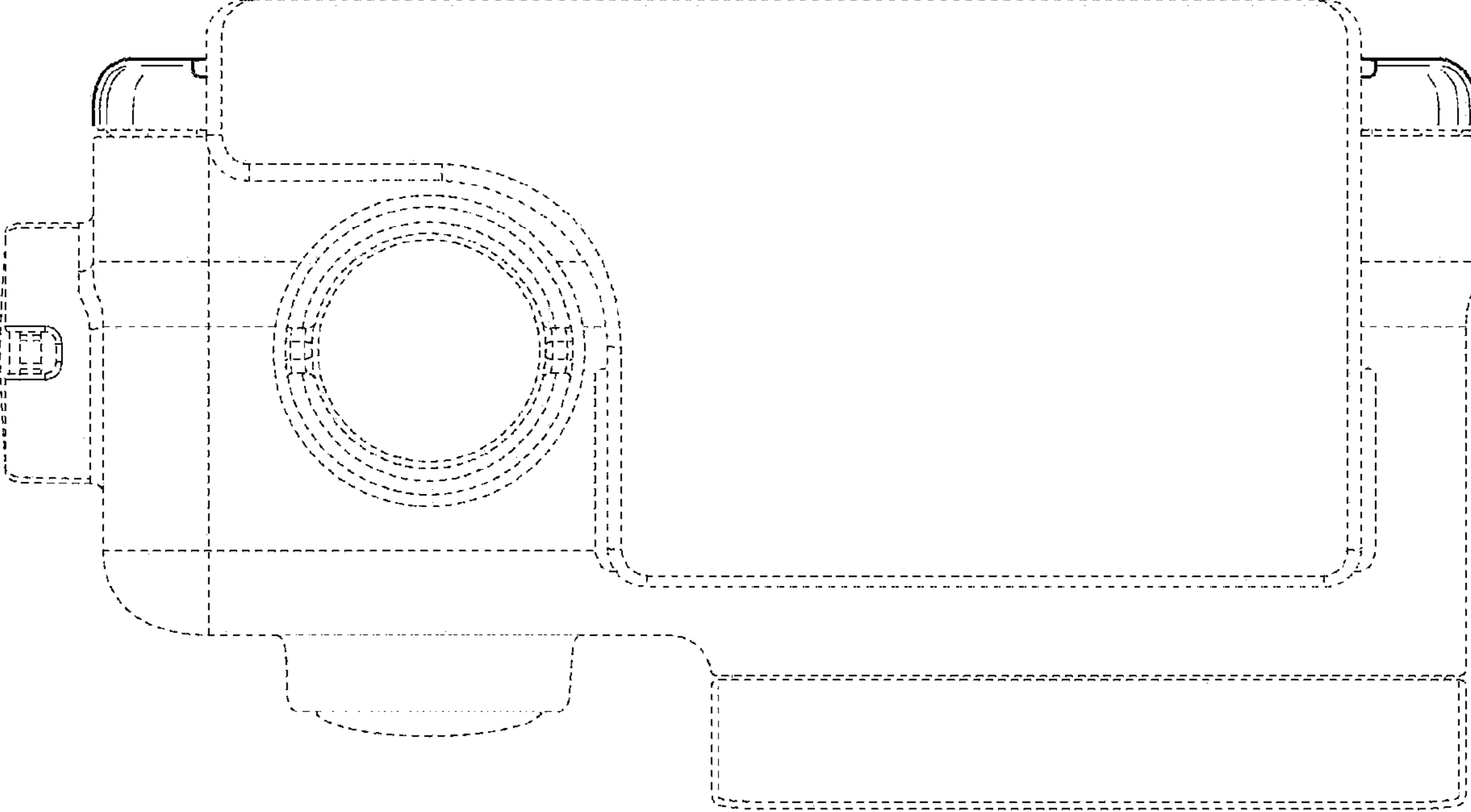


FIG. 9

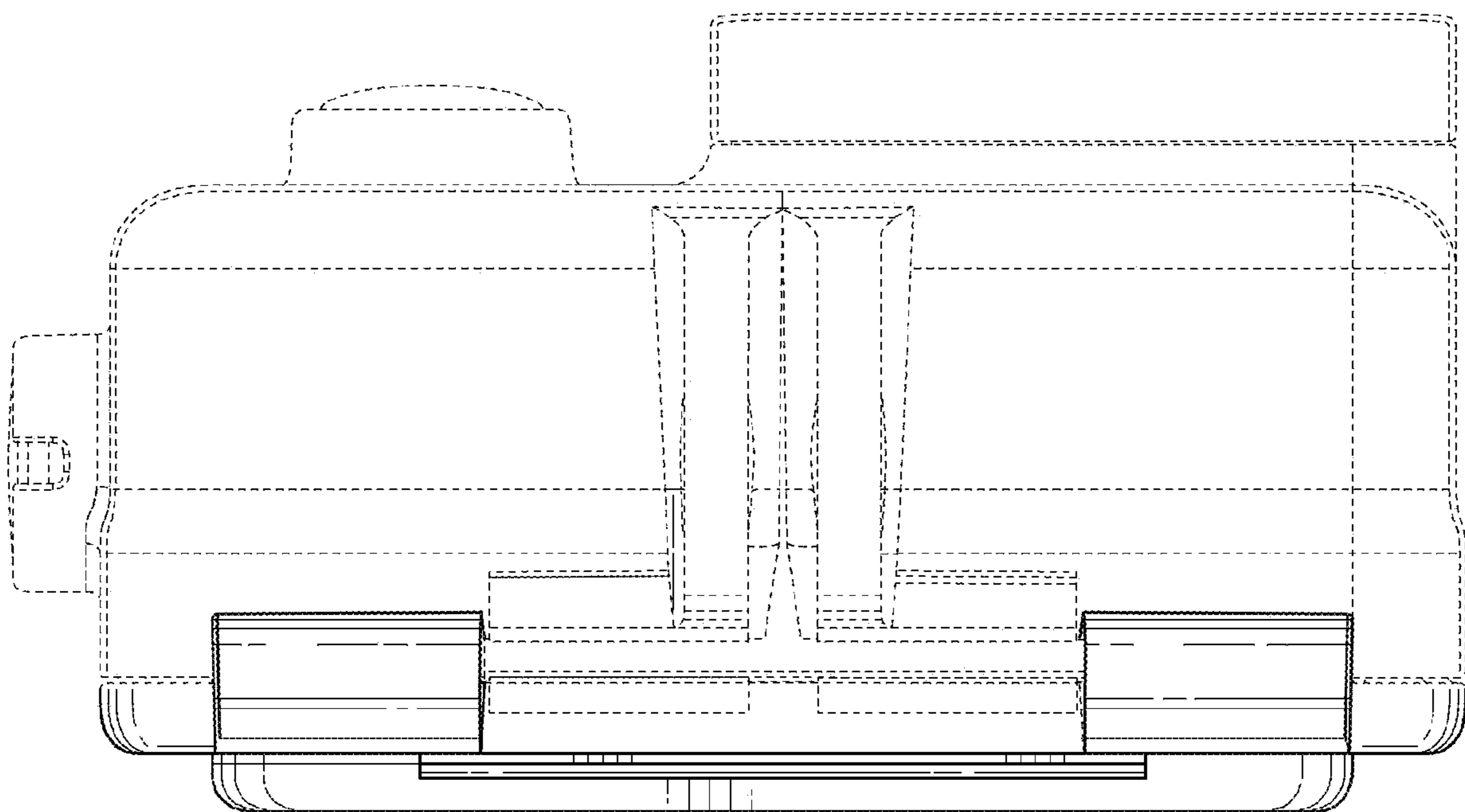


FIG. 10