



US00D911412S

(12) **United States Design Patent**
Alberstein et al.

(10) **Patent No.:** **US D911,412 S**

(45) **Date of Patent:** **** Feb. 23, 2021**

(54) **CAMERA HOUSING**

(71) Applicant: **GoPro, Inc.**, San Mateo, CA (US)

(72) Inventors: **Scott Alberstein**, San Francisco, CA (US); **Daniel J. Coster**, San Francisco, CA (US)

(73) Assignee: **GoPro, Inc.**, San Mateo, CA (US)

(**) Term: **15 Years**

(21) Appl. No.: **29/705,673**

(22) Filed: **Sep. 13, 2019**

(51) **LOC (13) Cl.** **16-01**

(52) **U.S. Cl.**
USPC **D16/200**

(58) **Field of Classification Search**
USPC D16/200, 202–208, 218, 219, 242;
348/164, 373–376; 396/448, 535,
396/539–541
CPC G03B 17/02; G03B 19/04; G03B 17/56;
G03B 17/04; G03B 15/03; H04N 5/2251;
H04N 5/2252; H04N 5/2253; H04N
5/2254; H04N 7/181; H04N 7/183; H04N
7/18; G08B 13/1963; G08B 13/19619;
G08B 13/19632; F16M 11/04; F16M
13/00

See application file for complete search history.

(56) **References Cited**

U.S. PATENT DOCUMENTS

679,881 A	8/1901	Bullard
D441,386 S	5/2001	Yamazaki
D504,904 S	5/2005	Nagai
D515,121 S	2/2006	Bleau
D616,480 S	5/2010	Ookawa
8,014,656 B2	9/2011	Woodman
D647,554 S	10/2011	Yim
D653,687 S	2/2012	Yu
8,467,675 B2	6/2013	Chen

8,544,643 B2	10/2013	Yim
D699,277 S	2/2014	Samuels
D710,922 S	8/2014	Gioscia
D730,423 S	5/2015	Vandenbussche
D739,451 S	9/2015	Gioscia
D750,680 S	3/2016	Chen
D759,141 S	6/2016	Bacon
D760,309 S	6/2016	Parfitt
D769,346 S	10/2016	Nguyen

(Continued)

OTHER PUBLICATIONS

Silicon Sleeve Cases for the Frame of Your Gopro Hero 5 , retrieved from URL: <https://www.amazon.com/Silicone-Sleeve-Cases-Frame-Gopro/dp/B01NCQ3GOY>, retrieved Mar. 30, 2018 (6 pages).

(Continued)

Primary Examiner — Ramzi S Almatrahi

(74) *Attorney, Agent, or Firm* — Young Basile Hanlon & MacFarlane, P.C.

(57) **CLAIM**

The ornamental design for a camera housing, as shown and described.

DESCRIPTION

FIG. 1 is a top, front and right side perspective view of a camera housing showing our new design

FIG. 2 is a bottom, rear and left side perspective view thereof;

FIG. 3 is a front elevation view thereof;

FIG. 4 is a rear elevation view thereof;

FIG. 5 is left elevation view thereof;

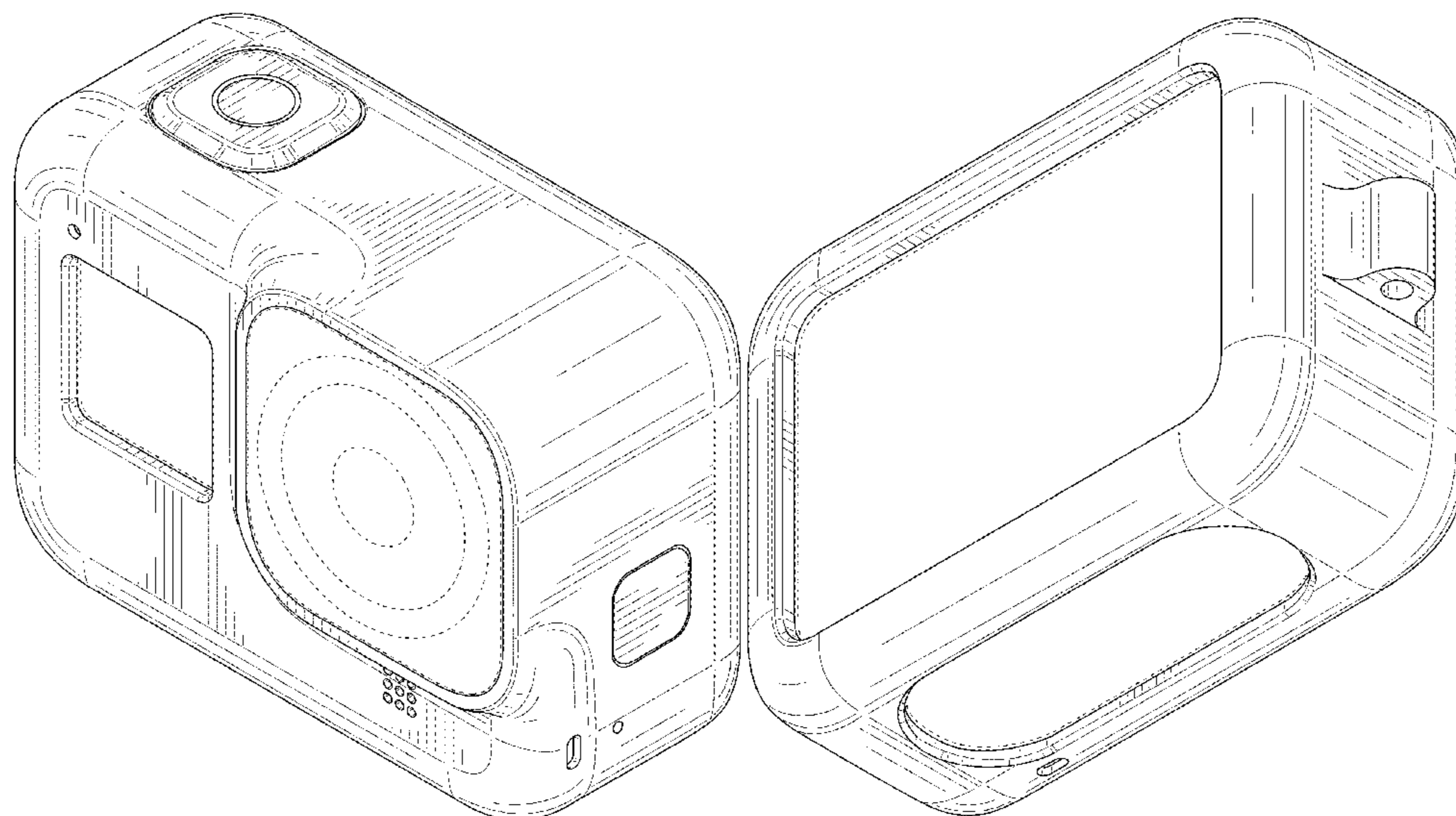
FIG. 6 is a right elevation view thereof;

FIG. 7 is a top plan view thereof; and,

FIG. 8 is a bottom plan view thereof.

The broken lines showing a camera within the camera housing represent environmental structure and form no part of the claimed design.

1 Claim, 5 Drawing Sheets



(56)

References Cited

U.S. PATENT DOCUMENTS

D773,546 S	12/2016	Nguyen	
D776,738 S *	1/2017	Clearman	D16/200
D776,741 S	1/2017	Parfitt	
D777,239 S *	1/2017	Costa	D16/242
D790,002 S	6/2017	Nguyen	
D800,815 S *	10/2017	Clearman	D16/200
D806,775 S	1/2018	Nguyen	
D816,751 S *	5/2018	Harrison	D16/200
D861,761 S	10/2019	Bergman	
D880,567 S *	4/2020	Zhang	D16/237
D880,569 S *	4/2020	Zhang	D16/242
D890,835 S *	7/2020	Nguyen	D16/219

OTHER PUBLICATIONS

Silicon Sleeve for GoPro Her04 Housing—GCase, retrieved from URL: <https://www.gocase.com/products/silicon-sleeve-for-gopro-hero4-housing>, retrieved Mar. 30, 2018 (2 pages).

Silicone Sleeve Cases for the Frame of your Gopro Hero 5 (1x Frame / 1x Camera Case, Blue + Black), URL: https://www.amazon.com/dp/B01MR00OPJ/ref=asc_df_B01MR00OPJ5357481/?tag=hyprod-20&creative=395033&creativeASIN=B01MR00OPJ&linkCode=df0&hvadid=167139098072&hvpos=1o1&hvnetw=g&hvrnd=8248390090609077295&hvpone=&hvptwo=&hvqmt=&hvdev=c&hvdvcmdl=&hvlocint=&hvlocphy=1014237&hvtargid=pla-332273337114, retrieved Mar. 30, 2018 (6 pages).

* cited by examiner

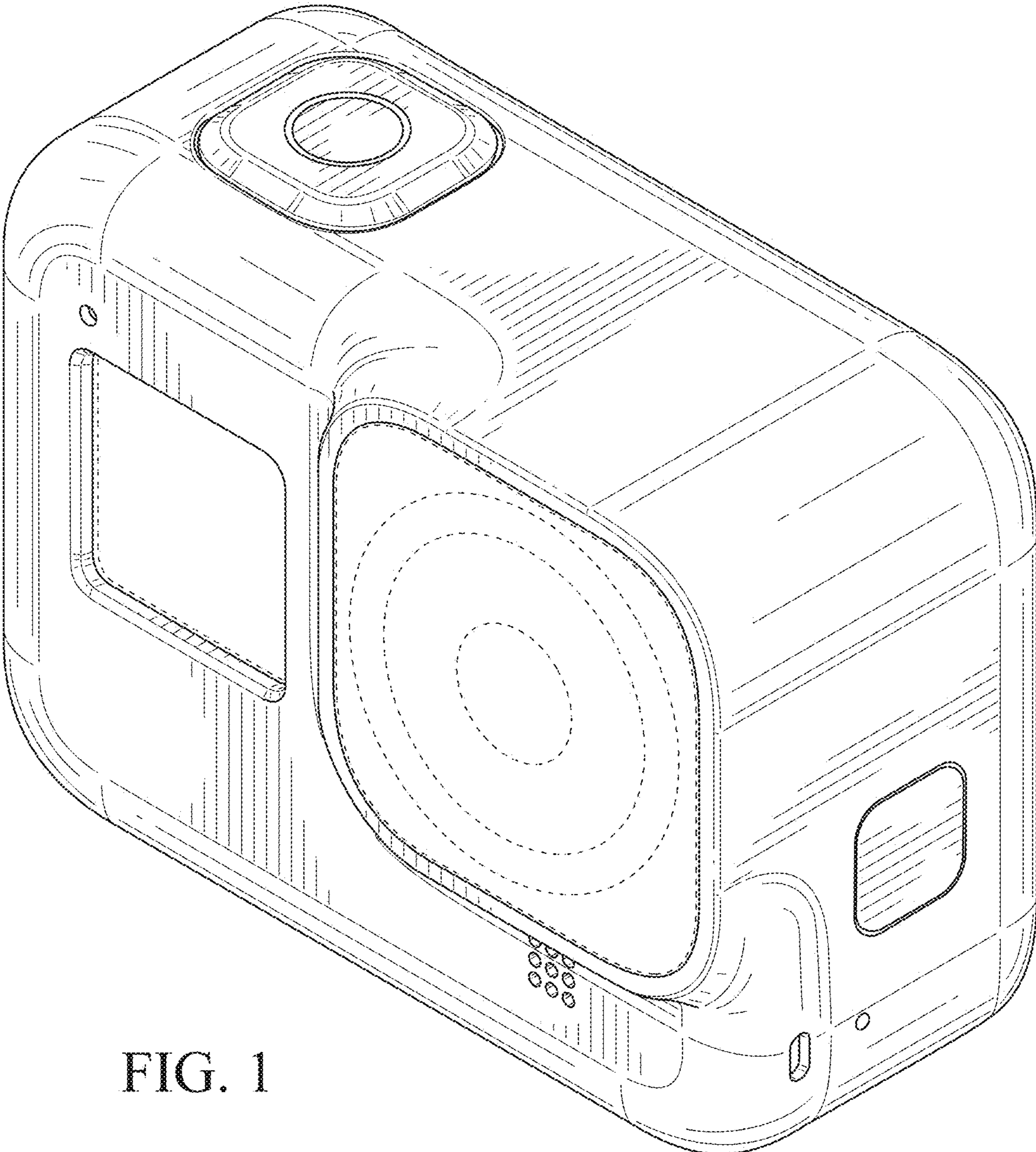


FIG. 1

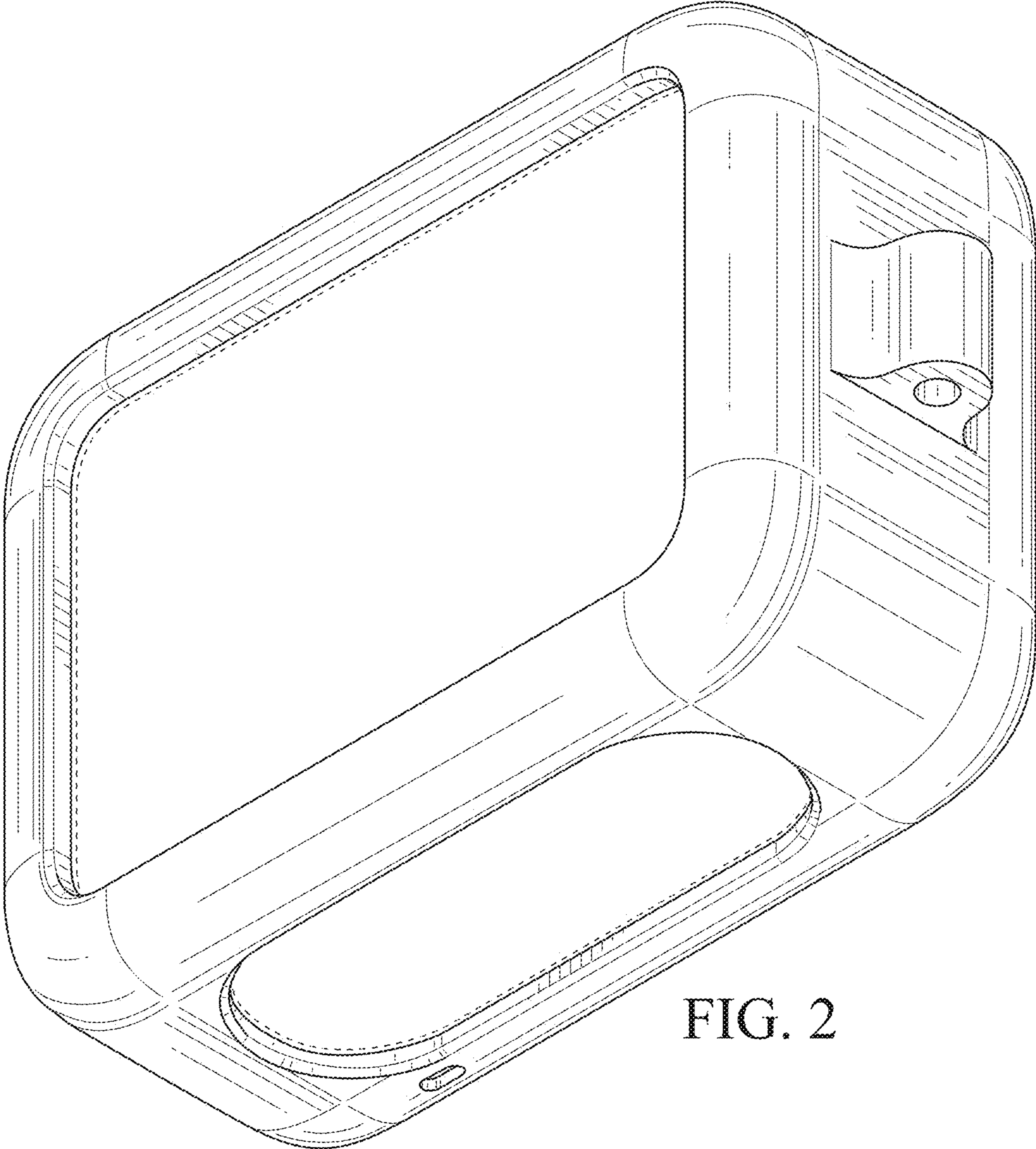


FIG. 2

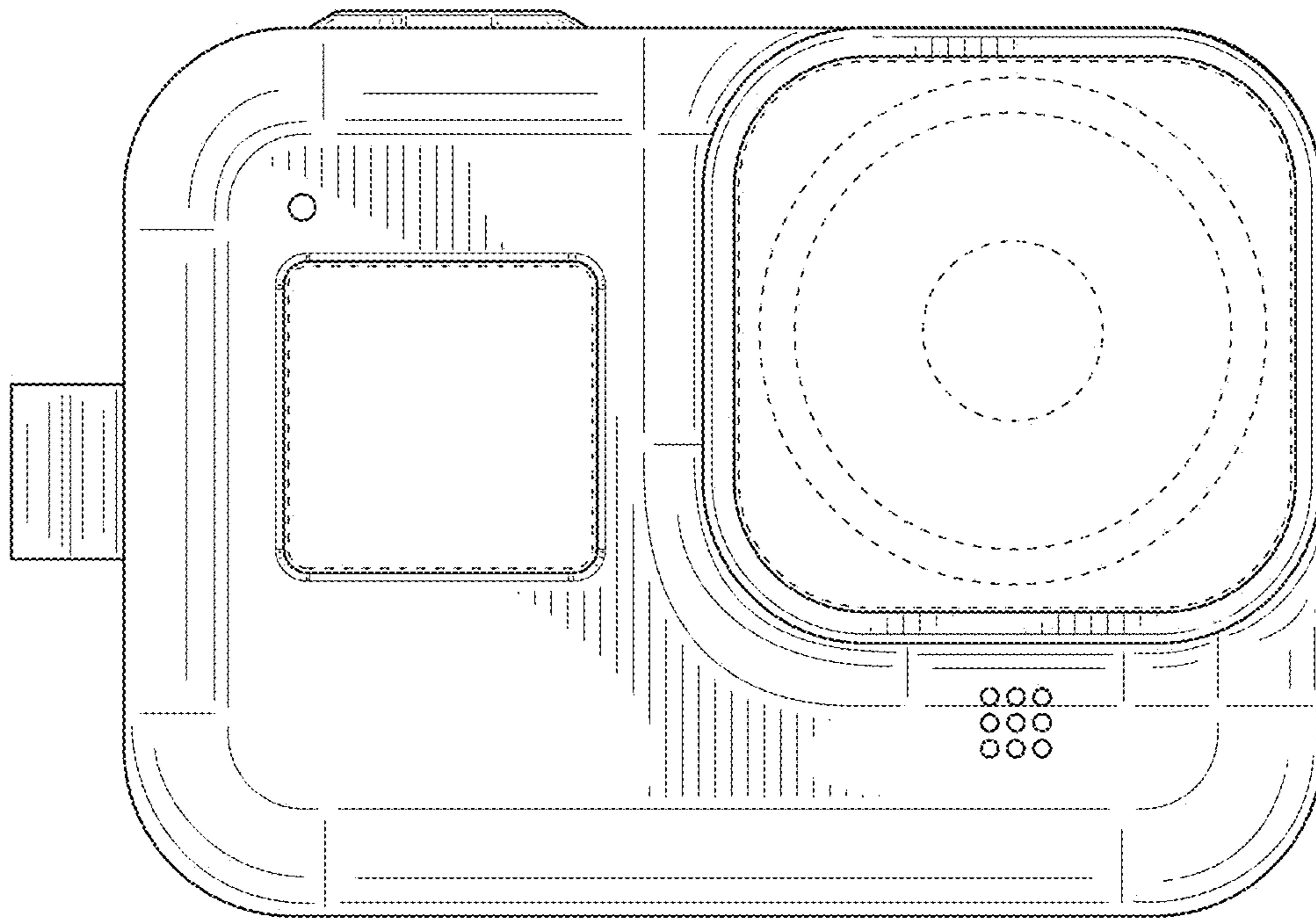


FIG. 3

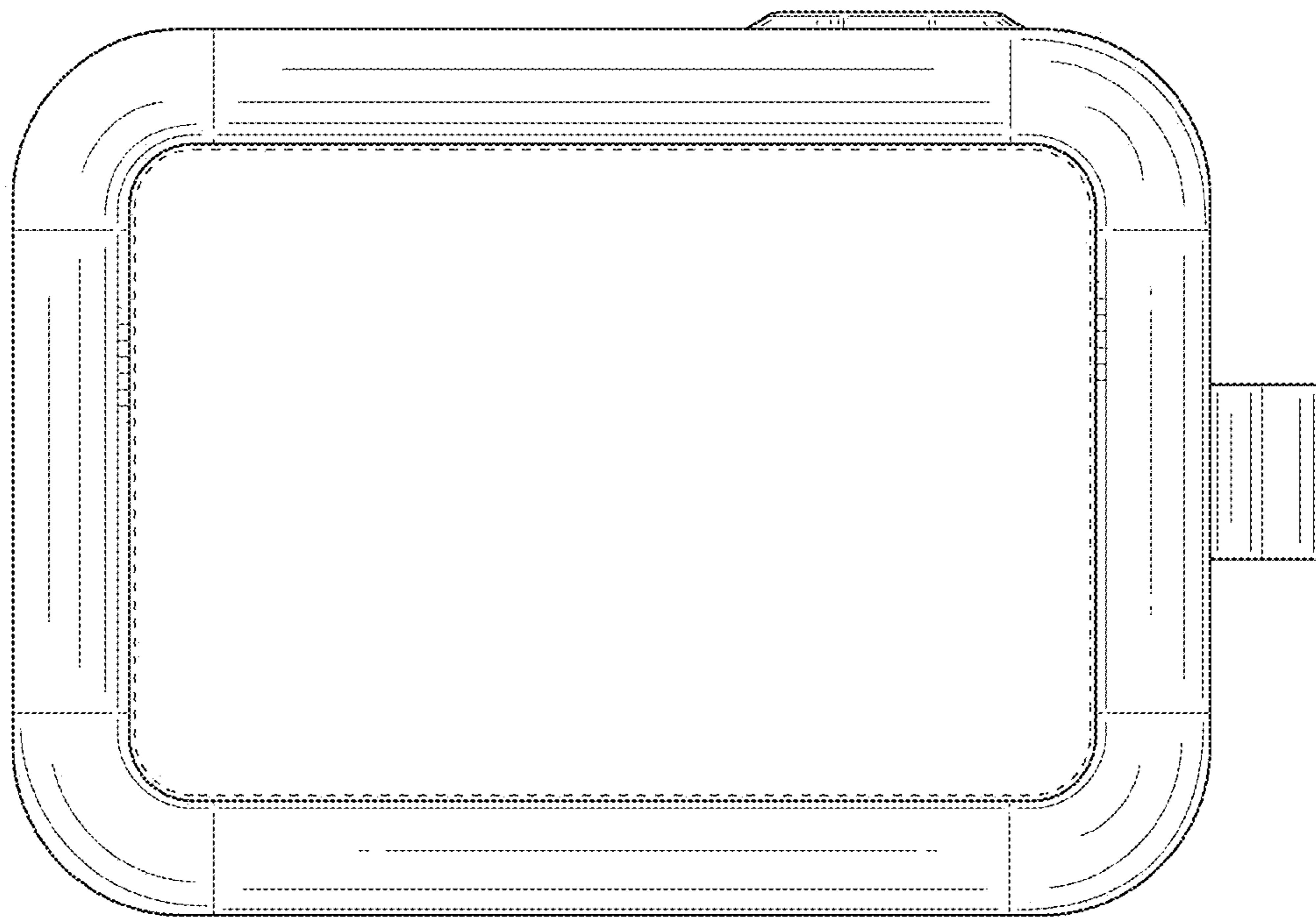


FIG. 4

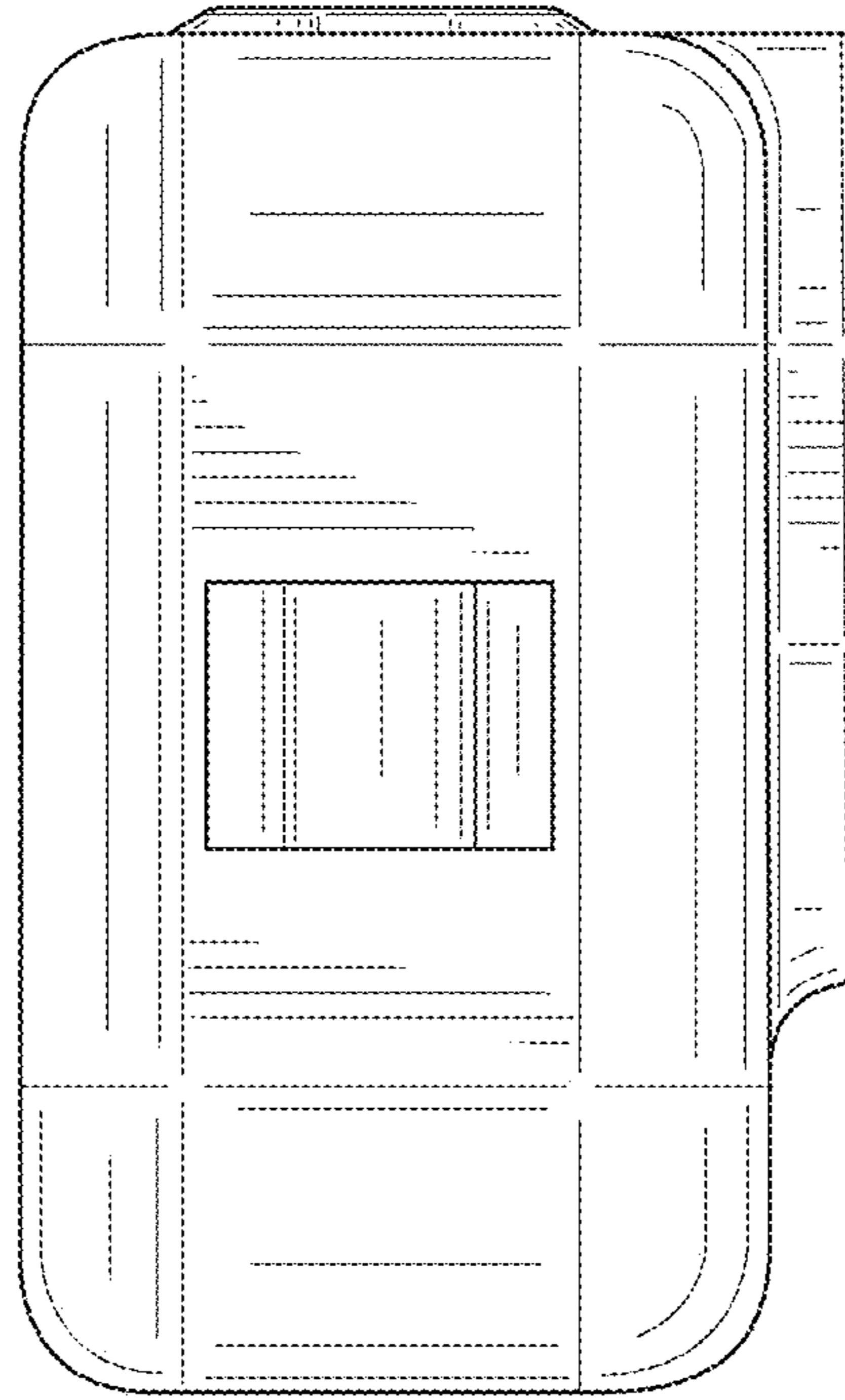


FIG. 5

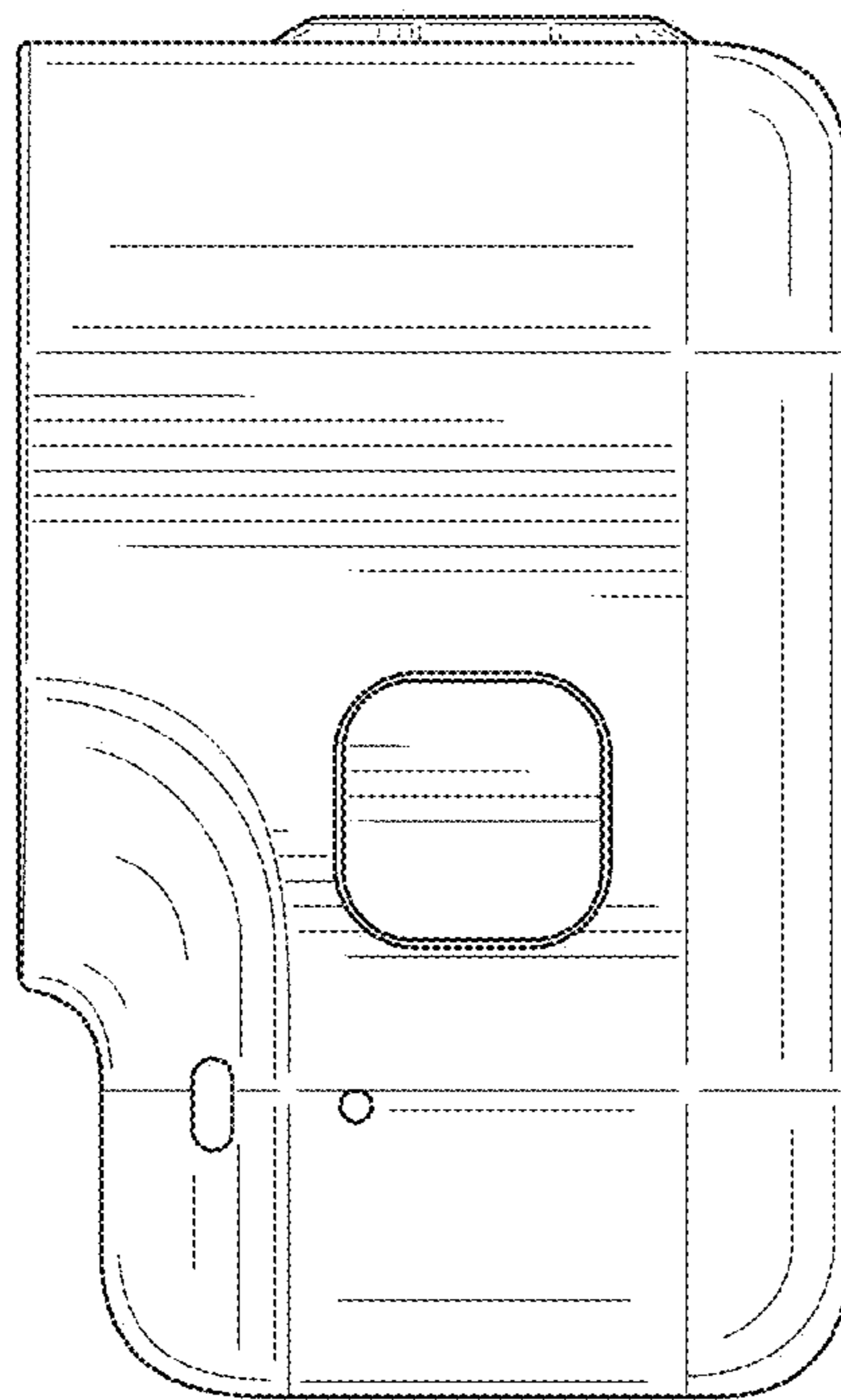


FIG. 6

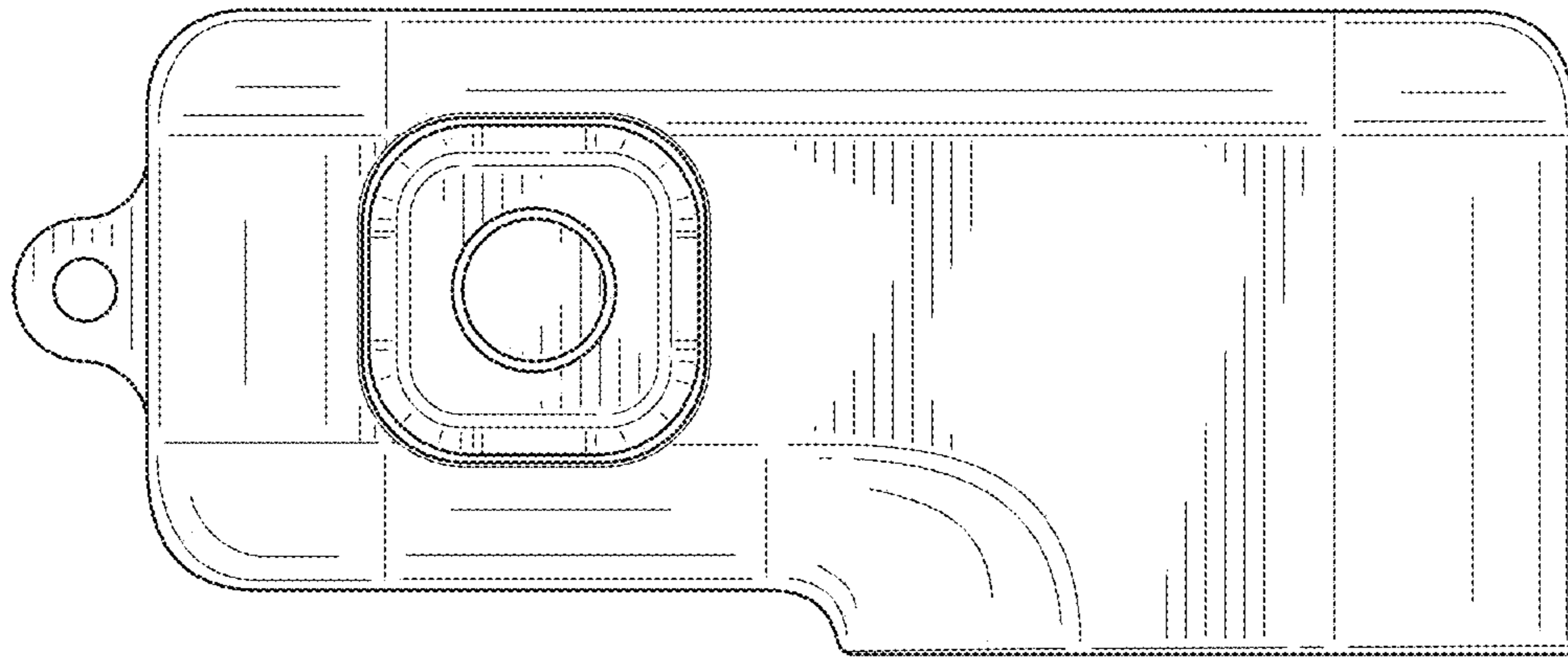


FIG. 7

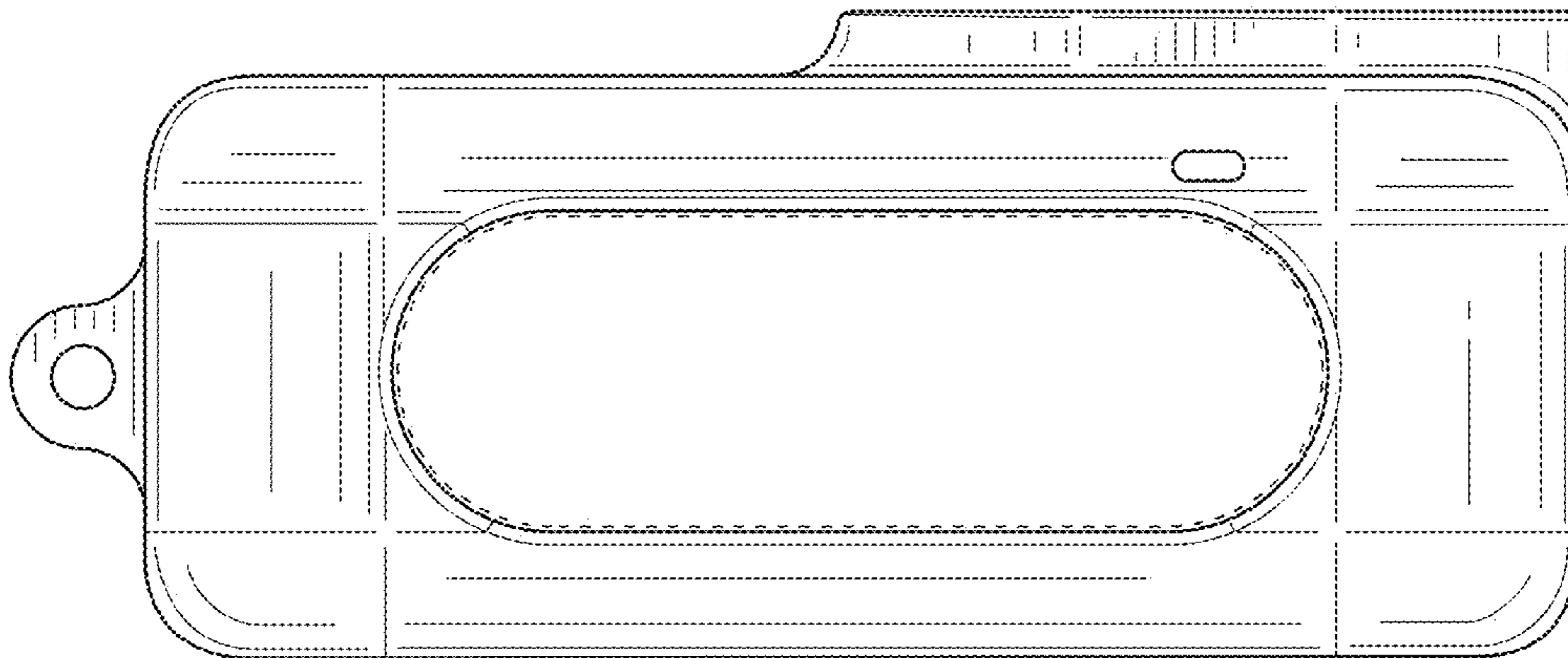


FIG. 8