



US00D911411S

(12) **United States Design Patent**
Coster et al.

(10) **Patent No.:** **US D911,411 S**
(45) **Date of Patent:** **** Feb. 23, 2021**

(54) **CAMERA HOUSING**

FOREIGN PATENT DOCUMENTS

(71) Applicant: **GoPro, Inc.**, San Mateo, CA (US)

CN 303933789 6/2016
GB 4034453 3/2014

(72) Inventors: **Daniel J. Coster**, San Francisco, CA (US); **Bessy Liang**, San Jose, CA (US); **Huy Phuong Nguyen**, San Mateo, CA (US); **John George Muhlenkamp, IV**, Brisbane, CA (US); **Jordan Todd**, San Mateo, CA (US)

OTHER PUBLICATIONS

Action Video Suction Cup. [online] Published date Oct. 23, 2014. Retrieved on Nov. 2, 2016 from <URL: <https://www.amazon.com/Suction-Locking-JOBY-Easy-Anti-Vibration-Cameras/dp/B0008R7A72/ref=pdsim_421_2?encoding=UTF8&pd_rd_i=B0008R7A72&pd_rd_r=AGCVZH2ZHQKHT5BBX2GZ&pdrd_w=7Jkpc&pdrd_wg=OMkYF&psc=1&refRID=AGCVZH2ZHQKHT5BBX2GZ>. (9 pages).

(73) Assignee: **GoPro, Inc.**, San Mateo, CA (US)

(**) Term: **15 Years**

(Continued)

(21) Appl. No.: **29/705,667**

Primary Examiner — Ramzi S Almatrahi

(22) Filed: **Sep. 13, 2019**

(74) *Attorney, Agent, or Firm* — Young Basile Hanlon & MacFarlane, P.C.

(51) **LOC (13) Cl.** **16-01**

(52) **U.S. Cl.**
USPC **D16/200**

(58) **Field of Classification Search**
USPC D16/200, 202–208, 218, 219, 242;
348/164, 373–376; 396/448, 535,
396/539–541

CPC G03B 17/02; G03B 19/04; G03B 17/56;
G03B 17/04; G03B 15/03; H04N 5/2251;
H04N 5/2252; H04N 5/2253; H04N
5/2254; H04N 7/181; H04N 7/183; H04N
7/18; G08B 13/1963; G08B 13/19619;
G08B 13/19632; F16M 11/04; F16M
13/00

See application file for complete search history.

(57) **CLAIM**

The ornamental design for a camera housing, as shown and described.

DESCRIPTION

FIG. 1 is a top, and right side perspective view of a camera housing showing our new design; FIG. 2 is a bottom, rear, and right side perspective view thereof; FIG. 3 is a top, and left perspective view thereof; FIG. 4 is a front elevation view thereof; FIG. 5 is a rear elevation view thereof; FIG. 6 is a left elevation view thereof; FIG. 7 is a right elevation view thereof; FIG. 8 is a top plan view thereof; and, FIG. 9 is a bottom plan view thereof.

The broken lines depict portions of the camera housing in which the design is embodied and form no part of the claimed design. Additionally, the broken lines showing a camera within the camera housing represent environmental structure and form no part of the claimed design.

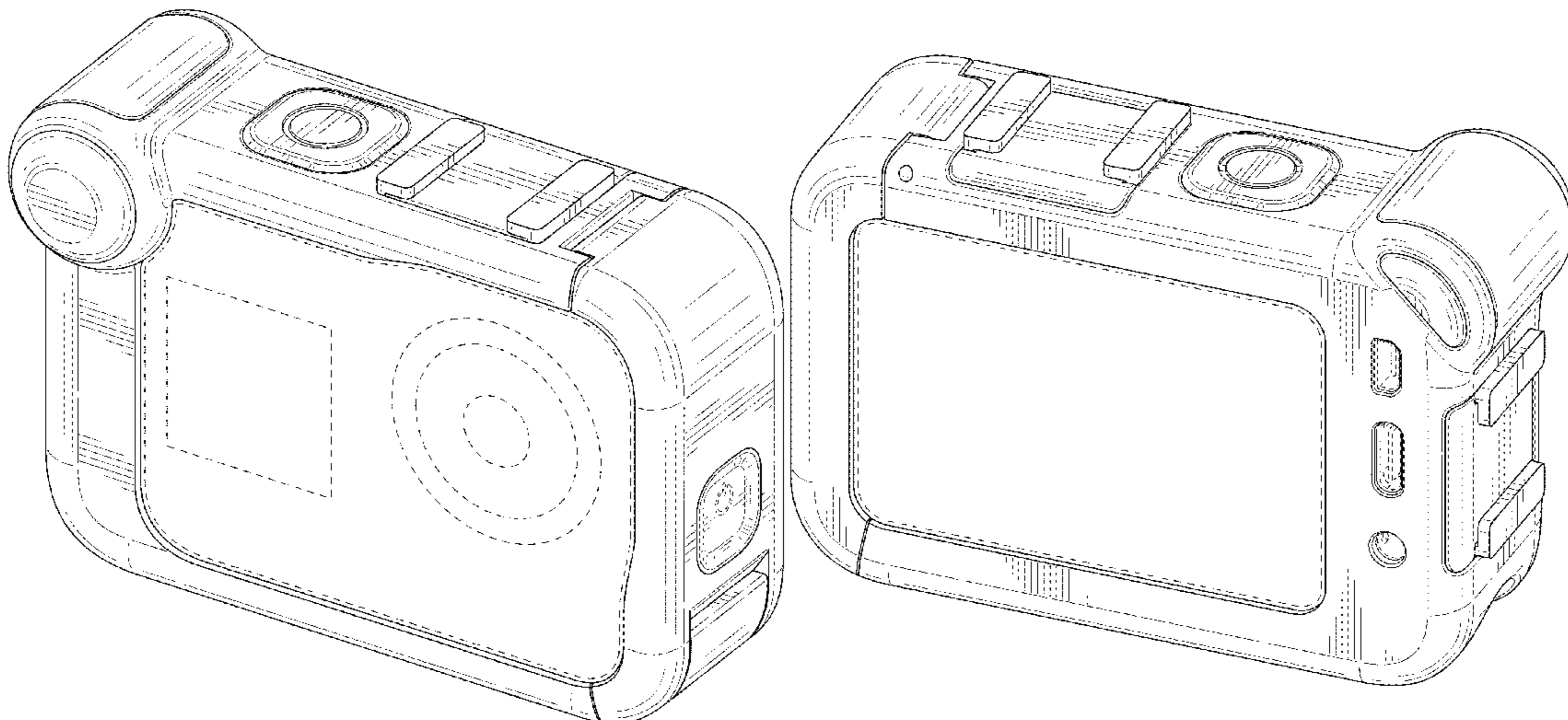
(56) **References Cited**

U.S. PATENT DOCUMENTS

679,881 A 8/1901 Bullard
1,467,556 A 9/1923 Nagel
1,612,277 A 12/1926 Leo
2,336,104 A 12/1943 Laube
4,341,452 A 7/1982 Korling

(Continued)

1 Claim, 8 Drawing Sheets



(56)

References Cited

U.S. PATENT DOCUMENTS

D265,829 S 8/1982 Shimoda
 4,646,141 A 2/1987 Timmermans
 4,763,151 A 8/1988 Klinger
 D298,760 S 11/1988 Yoshida
 5,092,552 A 3/1992 Dayton
 5,325,139 A 6/1994 Matsumoto
 D349,126 S 7/1994 Lee
 5,353,079 A 10/1994 Sakai
 5,576,781 A 11/1996 Deleeuw
 5,738,321 A 4/1998 Moriyasu
 D441,386 S 5/2001 Yamazaki
 D469,338 S 1/2003 Chace
 D491,968 S 6/2004 Isshiki
 D515,121 S 2/2006 Bleau
 D550,741 S 9/2007 Vernon
 D563,486 S 3/2008 Slater
 D582,955 S 12/2008 Sekine
 7,537,399 B2 5/2009 Mayumi
 D594,050 S 6/2009 Grtner
 7,621,680 B2 11/2009 Frick
 D616,480 S 5/2010 Ookawa
 8,014,656 B2 9/2011 Woodman
 D646,313 S 10/2011 Woodman
 D647,935 S 11/2011 Raken
 D657,808 S 4/2012 Woodman
 D674,428 S 1/2013 Woodman
 D684,569 S 6/2013 Willenborg
 8,467,675 B2 6/2013 Chen
 D692,507 S 10/2013 Meys
 8,596,890 B2 12/2013 Yim
 D699,276 S 2/2014 Samuels
 D699,277 S 2/2014 Samuels
 D702,747 S 4/2014 Woodman
 8,718,457 B2 5/2014 Clark
 D706,603 S 6/2014 Kokawa
 D710,921 S 8/2014 Gioscia
 8,794,579 B2 8/2014 Sturman
 D724,637 S 3/2015 Samuels
 D724,638 S 3/2015 Samuels
 D725,169 S 3/2015 Gioscia
 D727,387 S 4/2015 Hasegawa
 9,004,783 B1 4/2015 Woodman
 D730,423 S 5/2015 Vandenbussche
 D732,601 S 6/2015 Coyle
 D737,647 S 9/2015 Elder
 D740,876 S 10/2015 Woodman
 D745,589 S 12/2015 Lee
 D749,164 S 2/2016 Raccah
 D750,146 S 2/2016 Costa
 D750,687 S 3/2016 Samuels
 D752,671 S 3/2016 Harrison
 D752,672 S 3/2016 Clearman
 9,282,226 B2 3/2016 Samuels
 D754,230 S 4/2016 Mori
 D755,277 S 5/2016 Shnholz
 D758,474 S 6/2016 Harrison
 D759,141 S 6/2016 Bacon
 D759,145 S 6/2016 Lee
 D760,312 S 6/2016 Lee
 9,360,742 B1 6/2016 Harrison
 D762,759 S 8/2016 Wu
 D763,941 S 8/2016 Smith
 D768,228 S 10/2016 Muhlenkamp, IV
 D768,752 S 10/2016 Silver
 D768,754 S 10/2016 Bennett
 D776,738 S 1/2017 Clearman
 D776,741 S 1/2017 Parfitt
 D777,239 S 1/2017 Costa
 D783,079 S 4/2017 Lee

D785,068 S 4/2017 Patsis
 9,635,226 B2 4/2017 Samuels
 D785,696 S 5/2017 Parfitt
 D785,697 S 5/2017 Costa
 D790,000 S 6/2017 Wang
 D800,815 S 10/2017 Clearman
 9,816,666 B2 11/2017 Wang
 9,880,451 B2 1/2018 Clearman
 9,894,278 B2 2/2018 Wei
 9,894,279 B2 2/2018 Wei
 9,903,533 B2 2/2018 Wei
 D816,751 S 5/2018 Harrison
 D819,117 S 5/2018 Lee
 D827,696 S 9/2018 Crow
 D827,697 S 9/2018 Crow
 D850,520 S 6/2019 Voss
 D880,567 S * 4/2020 Zhang D16/237
 D880,569 S * 4/2020 Zhang D16/242
 D890,835 S * 7/2020 Nguyen D16/219
 2002/0046218 A1 4/2002 Gilbert
 2007/0071423 A1 3/2007 Fantone
 2008/0152337 A1 6/2008 Gartner
 2011/0317065 A1 12/2011 Lin
 2014/0185853 A1 7/2014 Aihara
 2014/0198932 A1 7/2014 Parkins
 2014/0226055 A1 8/2014 Schmidt
 2015/0168815 A1 6/2015 Chen
 2015/0316835 A1 11/2015 Scott
 2015/0326748 A1 11/2015 Tisch
 2016/0004142 A1 1/2016 Zhang
 2016/0100083 A1 4/2016 Harrison
 2016/0229556 A1 8/2016 Zhou
 2016/0246162 A1 8/2016 Niemeyer
 2017/0059967 A1 3/2017 Harrison
 2017/0192341 A1 7/2017 Casarez
 2019/0079373 A1 3/2019 Wang
 2019/0161208 A1 5/2019 Sun

OTHER PUBLICATIONS

Google Express IGoPro Karma Harness for HERO4 Black/Silver Camera—AGFHA-001 , first reviewed on Mar. 17, 2017, © 2018 Google [online], [site visited Mar. 16, 2018]. Available from Internet, <URL: <https://goo.gl/hugSGv/>> 1 page.
 GoPro i Shop i Mounts & Accessories, posted on Nov. 16, 2017, © 2018 GoPro, Inc. [online], [site visited Mar. 16, 2018]. Available from Internet, <URL: <https://shop.gopro.com/mounts-accessories/>> (13 PGS).
 GoPro The Frame for HERO5 Black. [online] Published date unknown. Retrieved on Oct. 26, 2016 from <URL: <https://www.bhphotovideo.com/c/product/1274422-REG/gopro.sub.--aafrm.sub.--001.sub.--frame.sub.--for.sub.--hero5.html>>. 3 pages.
 GoPro, “Karma Stabilizer,” Date Unknown, two pages. [Online] [Retrieved Nov. 2, 2016] Retrieved from the internet <<http://shop.gopro.com/accessories-2/karma-stabilizer/AGMBL-001.html>>. (2 pages).
 Linxv i Action Camera Accessories i Action Camera Strap, posted on Jun. 4, 2016, © 2012 Avada [online], [site visited Mar. 16, 2018]. Available from Internet, <URL: <http://www.linxv.com/action-camera-accessories/action-camera-strap/>> (4 PGS).
 Suction Cup & Locking Arm. Online, published date unknown. Retrieved on Jan. 11, 2018 from URL: <https://joby.com/suction-cup-with-locking-arm> (1 page).
 The Frame. [online] Published date unknown. Retrieved on Oct. 24, 2016 from <URL: <http://shop.gopro.com/accessories-2/the-frame/ANDFR-302.html>>. 3 pages.
 United States Office Action, U.S. Appl. No. 29/548,666, filed Nov. 17, 2016, eight pages.

* cited by examiner

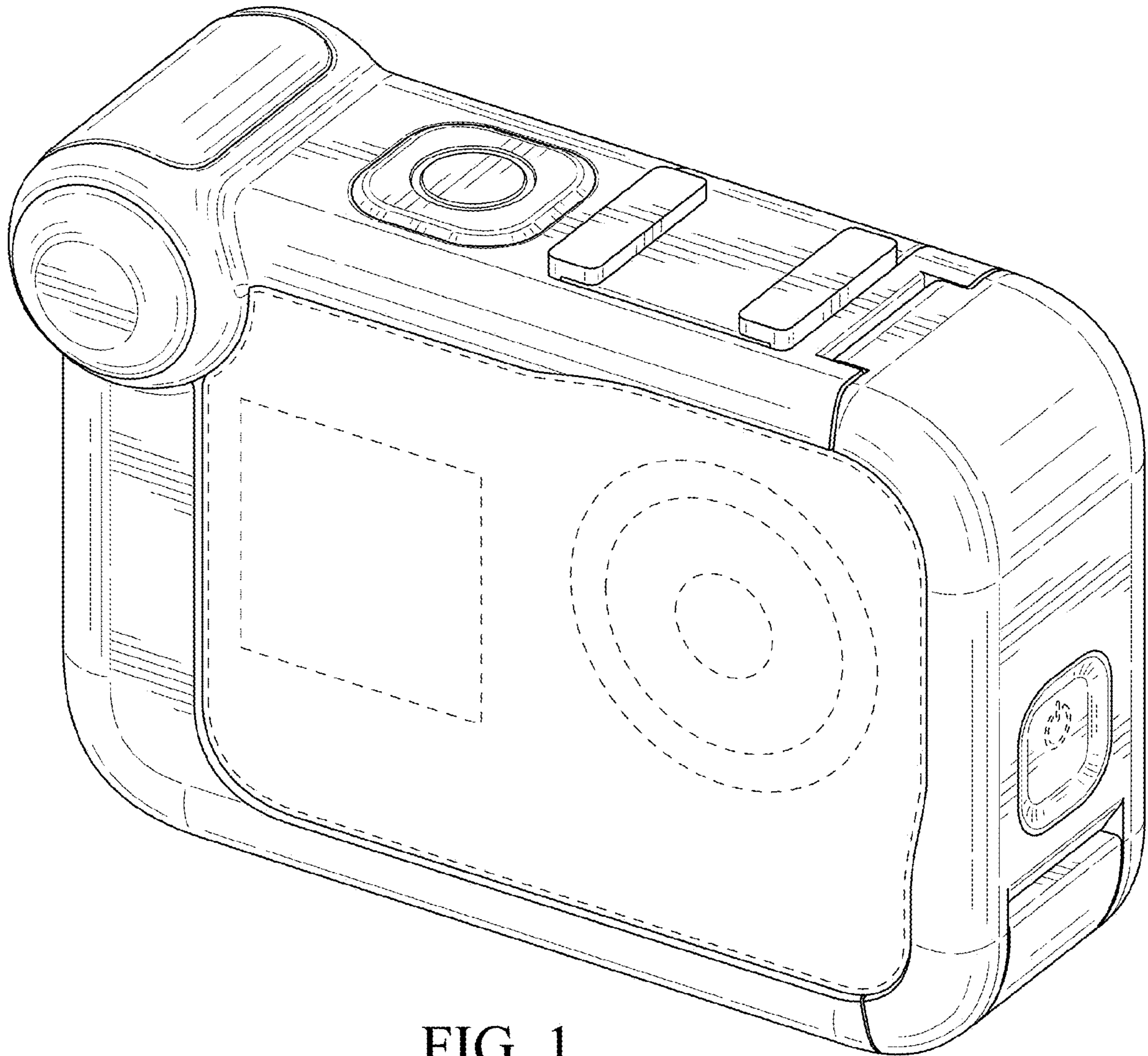


FIG. 1

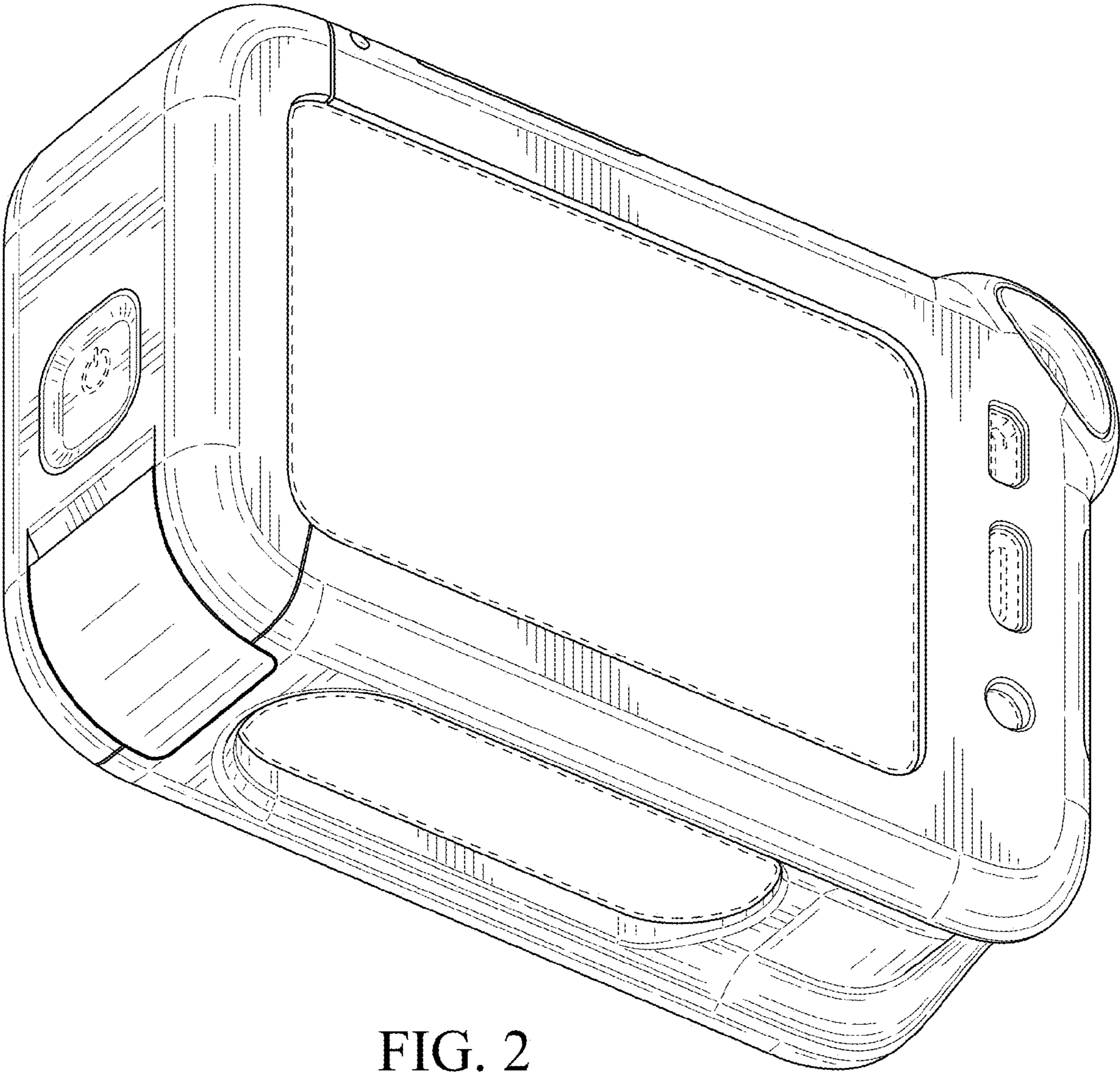


FIG. 2

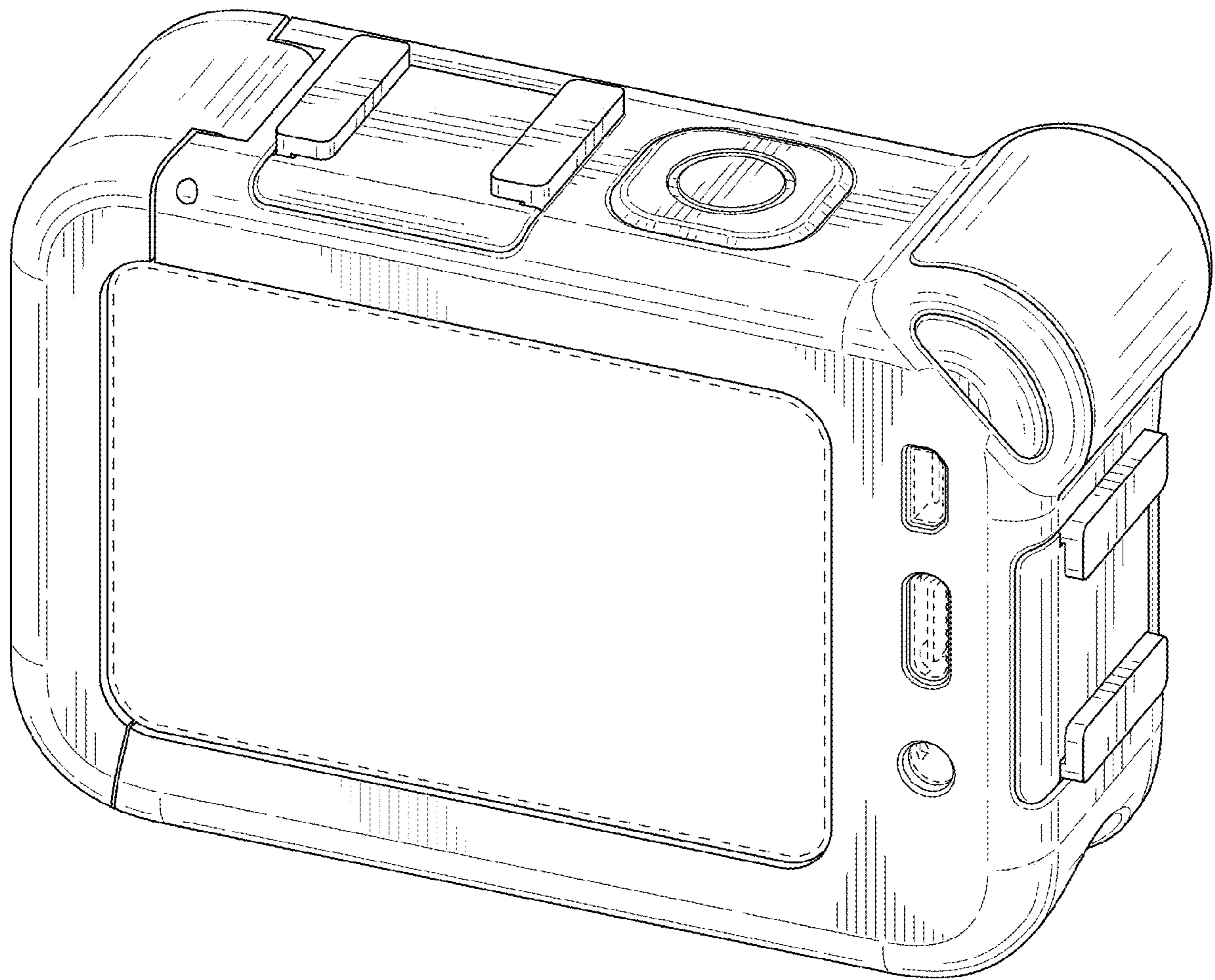


FIG. 3

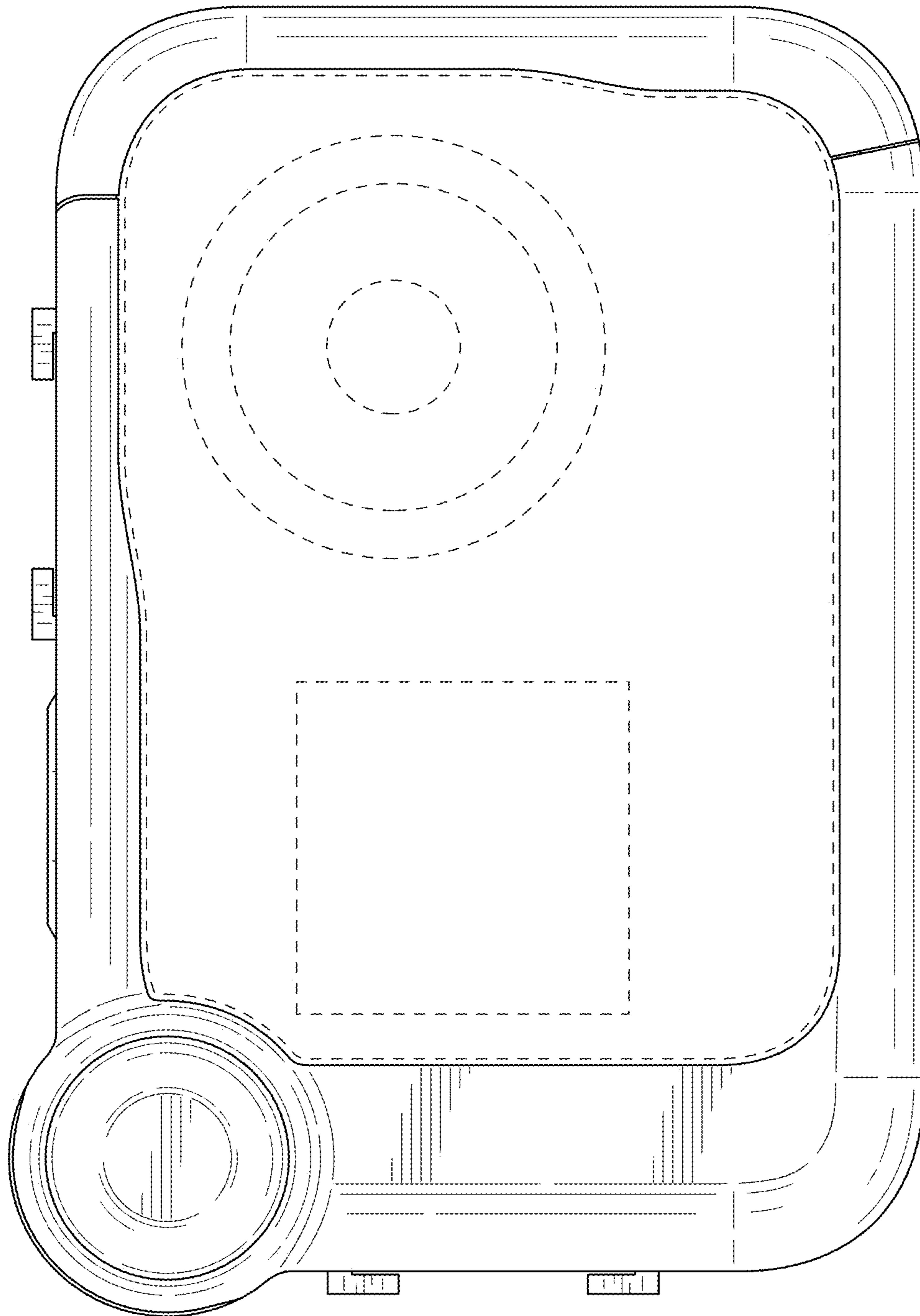


FIG. 4

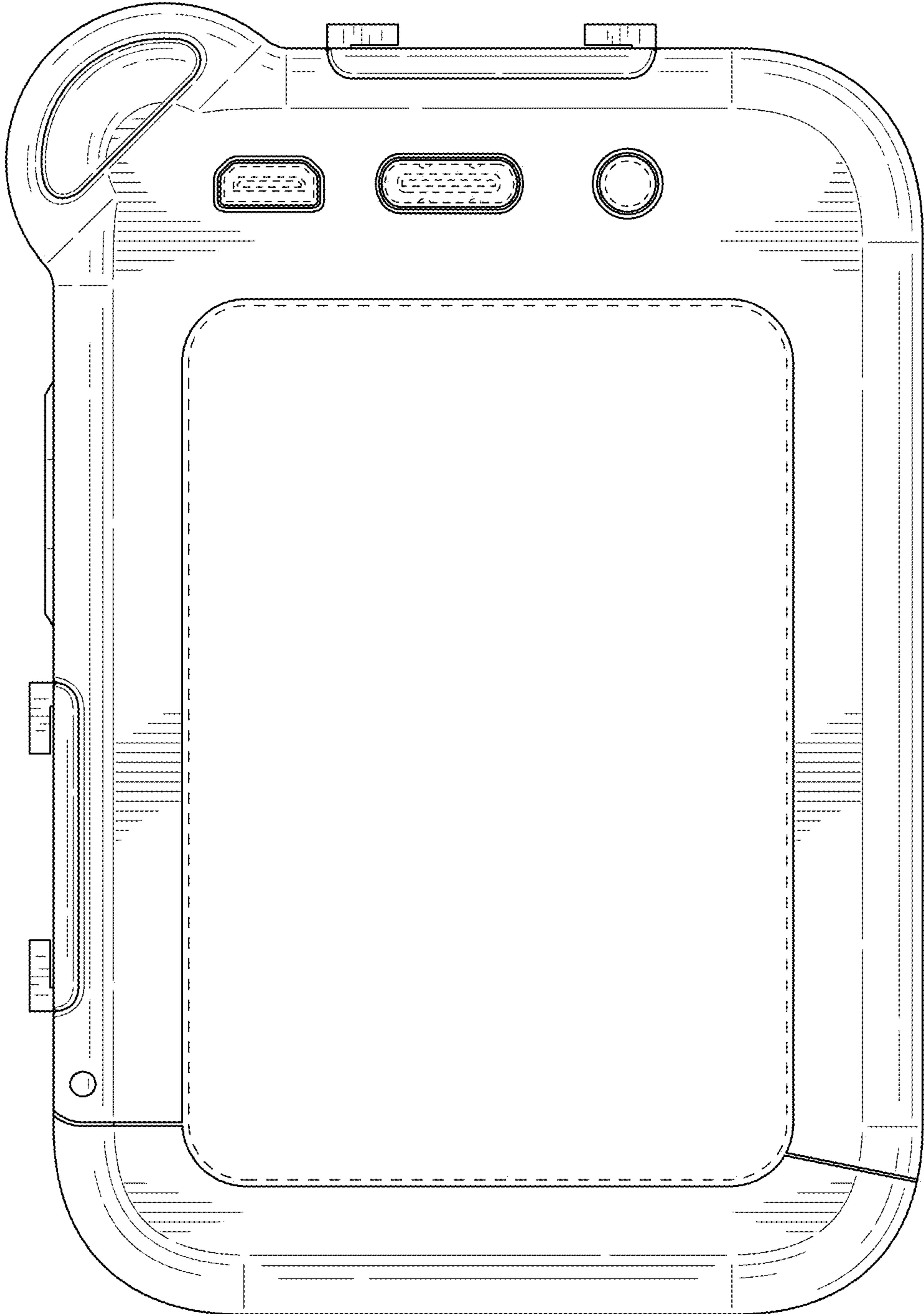


FIG. 5

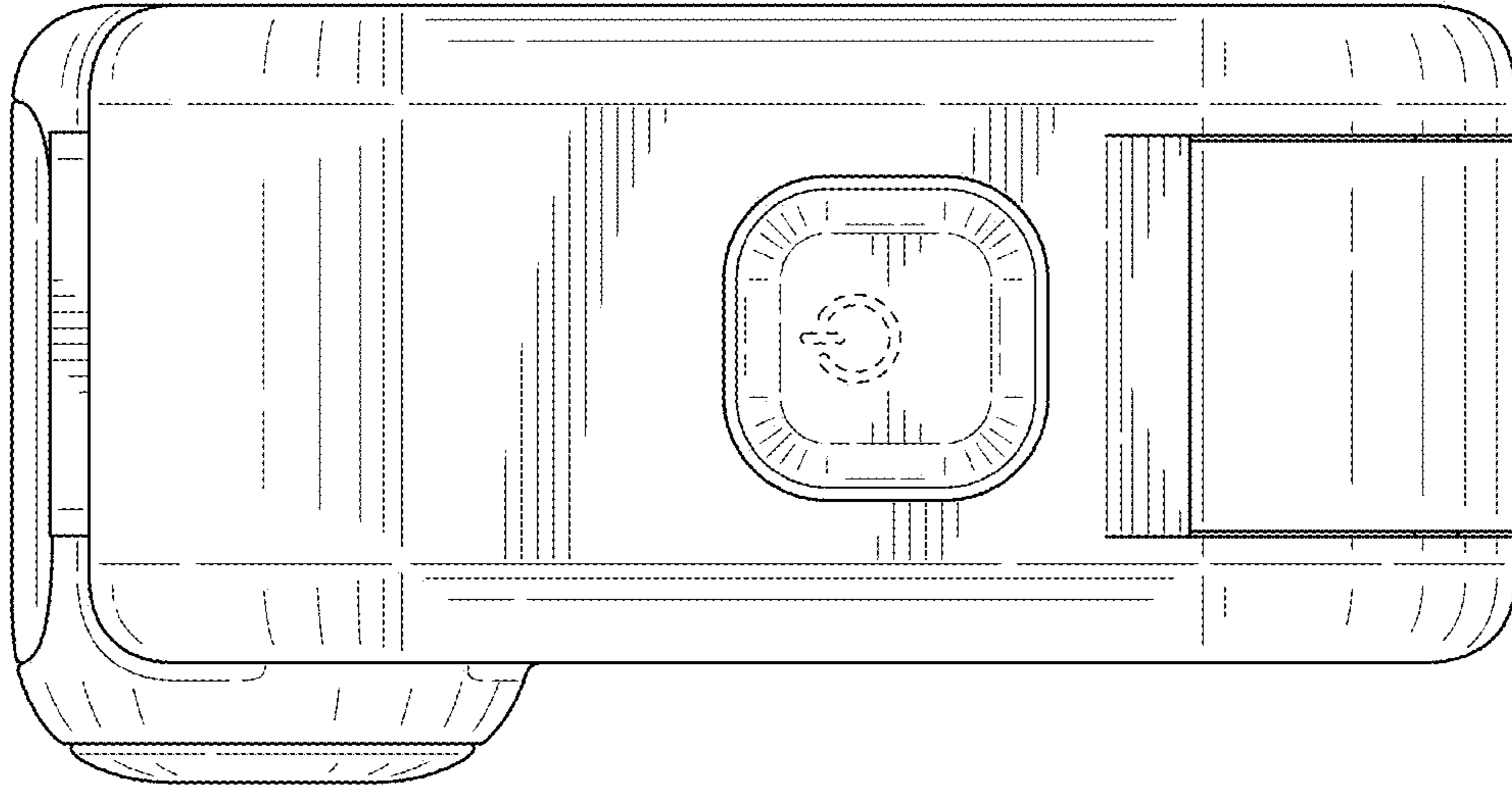


FIG. 7

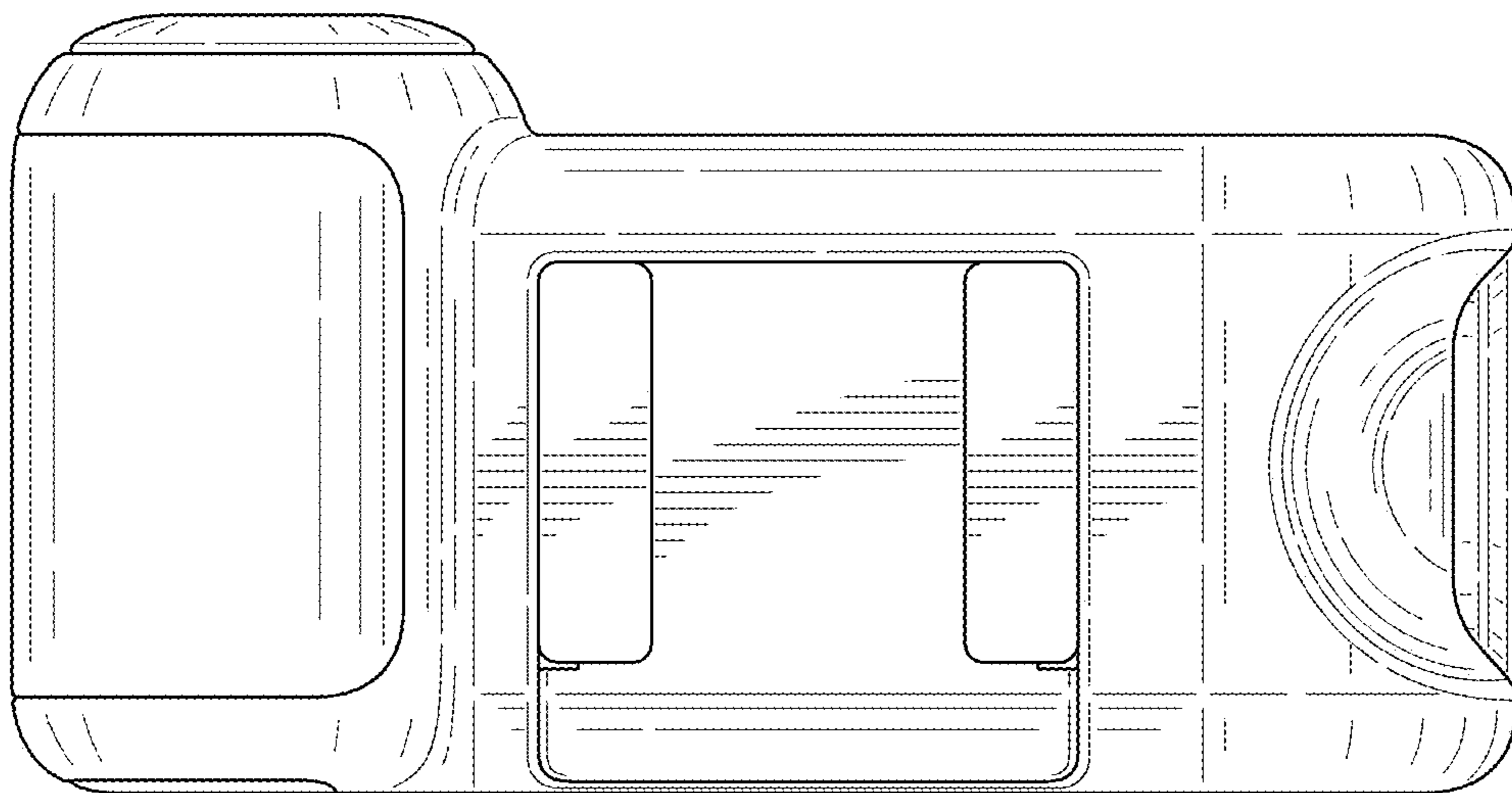


FIG. 6

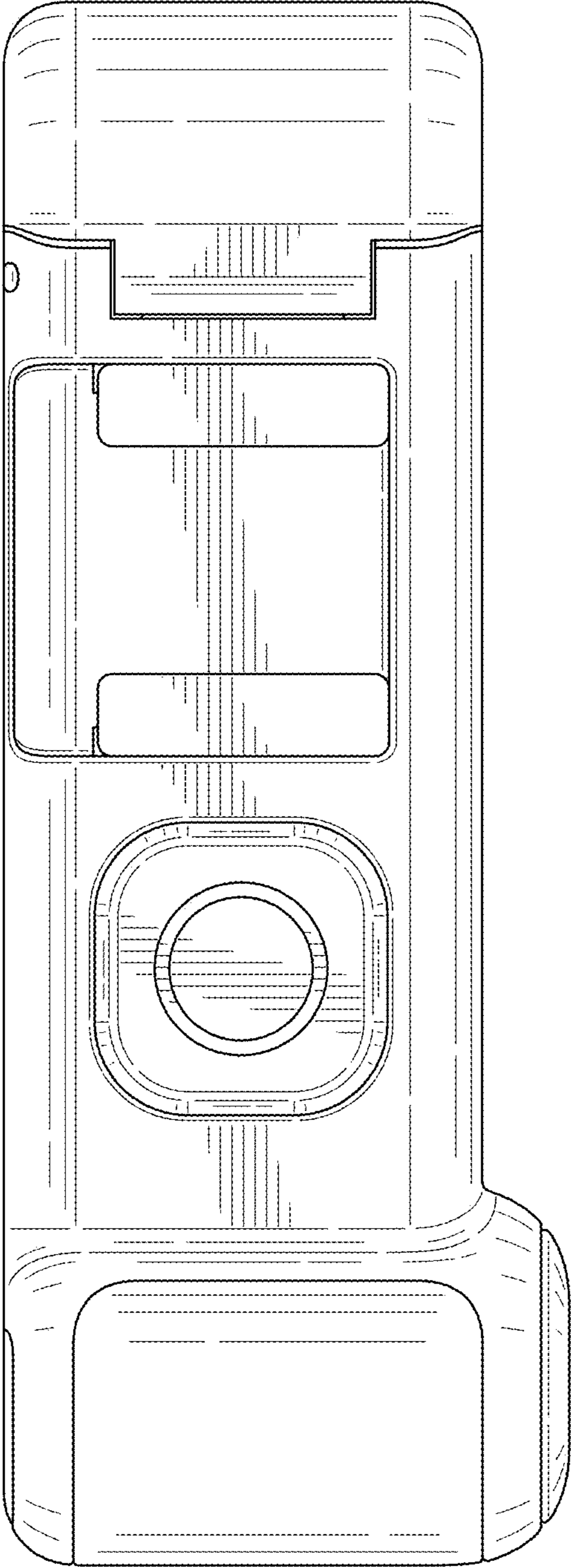


FIG. 8

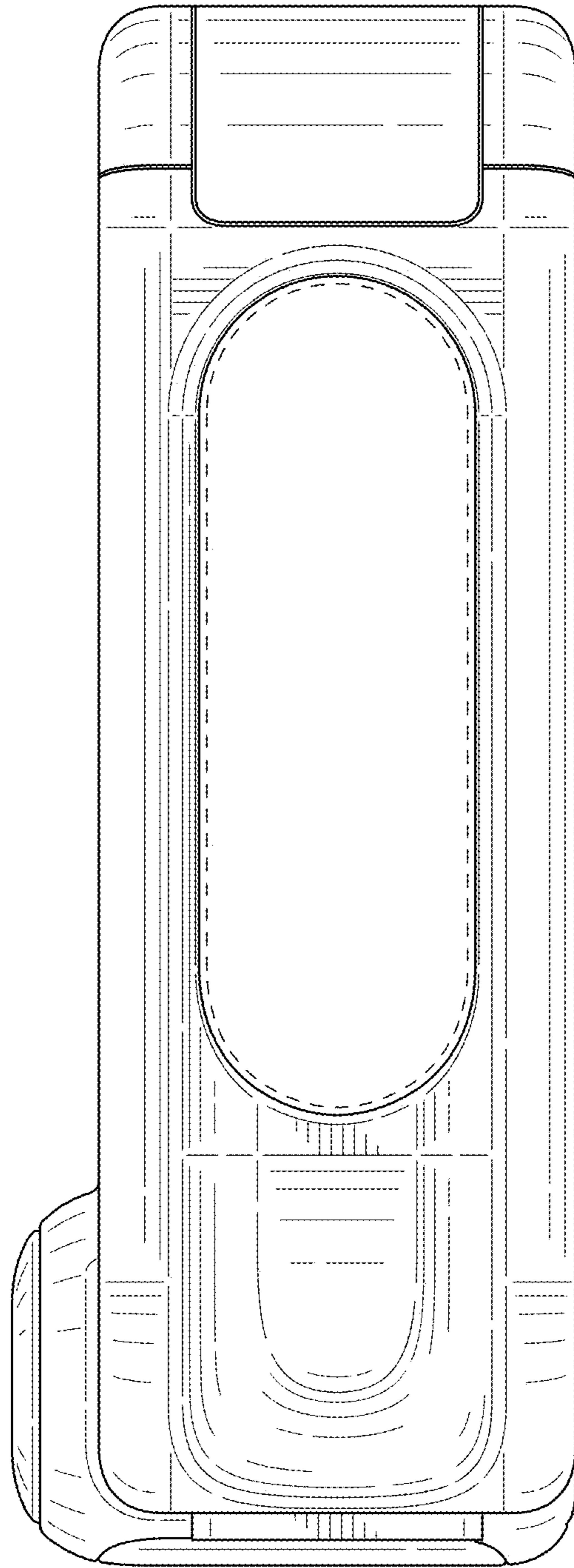


FIG. 9