



US00D911410S

(12) **United States Design Patent** (10) **Patent No.:** **US D911,410 S**
An (45) **Date of Patent:** **** Feb. 23, 2021**

(54) **COMBINED MAIN BODY AND LENS COVER OF A BINOCULAR HANDHELD THERMAL IMAGER**

(71) Applicant: **Hangzhou Hikmicro Sensing Technology Co., Ltd., Hangzhou (CN)**

(72) Inventor: **Mengfei An, Hangzhou (CN)**

(73) Assignee: **Hangzhou Hikmicro Sensing Technology Co., Ltd., Hangzhou (CN)**

(**) Term: **15 Years**

(21) Appl. No.: **29/681,509**

(22) Filed: **Feb. 26, 2019**

(30) **Foreign Application Priority Data**

Sep. 19, 2018 (CN) 201830526860.8
Sep. 19, 2018 (CN) 201830526935.2

(51) **LOC (13) Cl.** **16-06**

(52) **U.S. Cl.**
USPC **D16/133**

(58) **Field of Classification Search**
USPC D16/130, 131, 132, 133, 134–136, 200, D16/202, 208, 219; 348/164, 373–376
CPC G03B 17/02; G03B 19/04; G03B 17/56; G03B 17/04; G03B 15/03; G02B 2027/0123; G02B 2027/0132
See application file for complete search history.

(56) **References Cited**

U.S. PATENT DOCUMENTS

D305,433 S * 1/1990 Kobayashi D16/133
D484,900 S * 1/2004 Lee D16/133

D508,707 S * 8/2005 Hayashi D16/133
D665,004 S * 8/2012 Lofgren D16/208
D727,384 S * 4/2015 Jaeschke D16/133
D752,670 S * 3/2016 Chen D16/133
D847,246 S * 4/2019 Fischbach D16/133
D847,247 S * 4/2019 Fischbach D16/133
D850,507 S * 6/2019 Sun D16/133
D851,153 S * 6/2019 Chen D16/133
D859,491 S * 9/2019 Khubani D16/133
D867,418 S * 11/2019 Sakai D16/133
D874,544 S * 2/2020 Marzette, Jr. D16/218

* cited by examiner

Primary Examiner — Ramzi S Almatrahi
(74) *Attorney, Agent, or Firm* — Clements Bernard Walker; Lawrence A. Baratta, Jr.

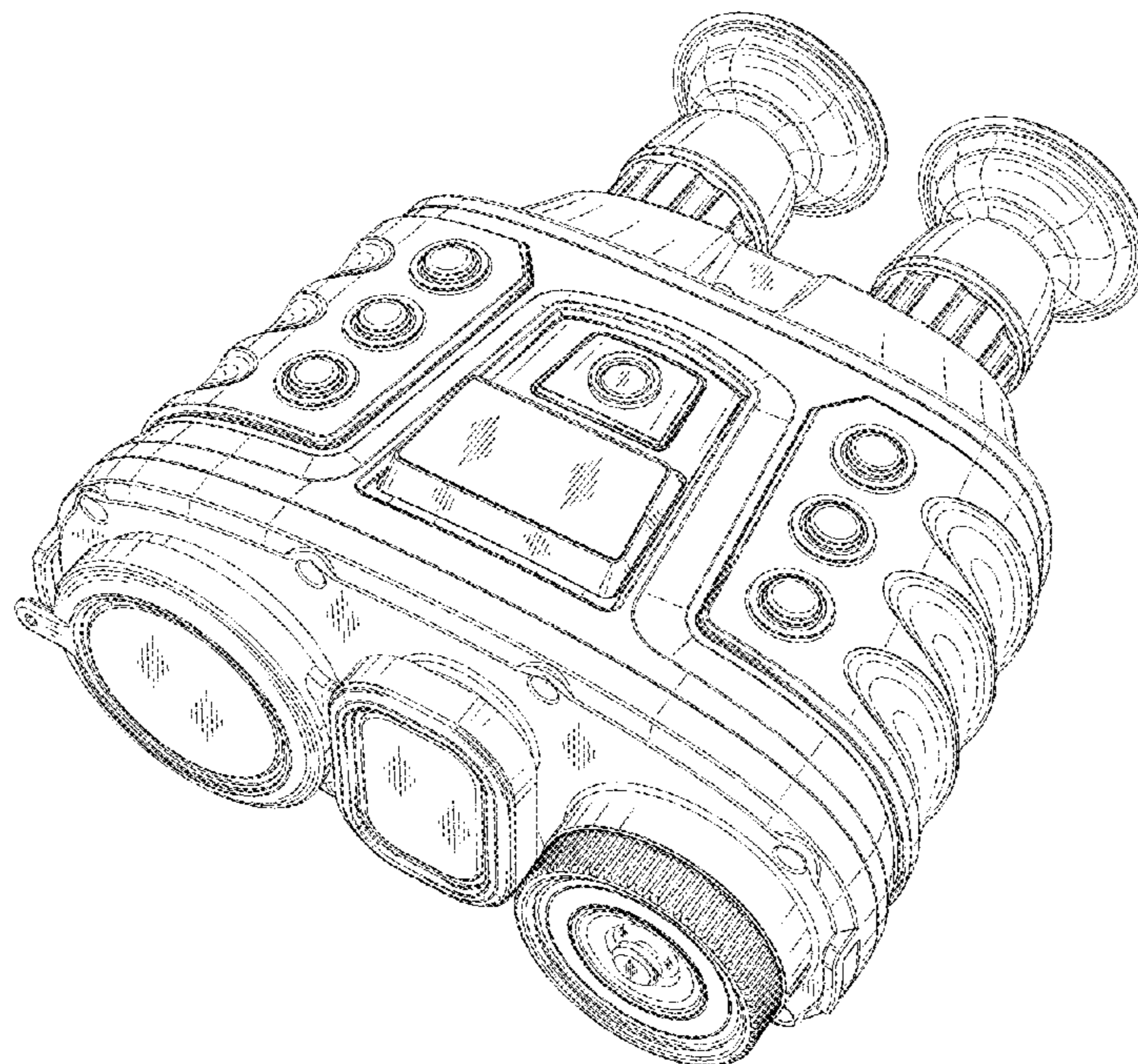
(57) **CLAIM**

The ornamental design for a combined main body and lens cover of a binocular handheld thermal imager, as shown and described.

DESCRIPTION

FIG. 1 is a front elevation view of a combined main body and lens cover of a binocular handheld thermal imager showing my new design;
FIG. 2 is a back elevation view thereof;
FIG. 3 is a left side elevation view thereof;
FIG. 4 is a right side elevation view thereof;
FIG. 5 is a top plan view thereof;
FIG. 6 is a bottom plan view thereof; and,
FIG. 7 is a front perspective view thereof.
The broken lines depict portions of the combined main body and lens cover of a binocular handheld thermal imager in which the design is embodied that form no part of the claimed design.

1 Claim, 7 Drawing Sheets



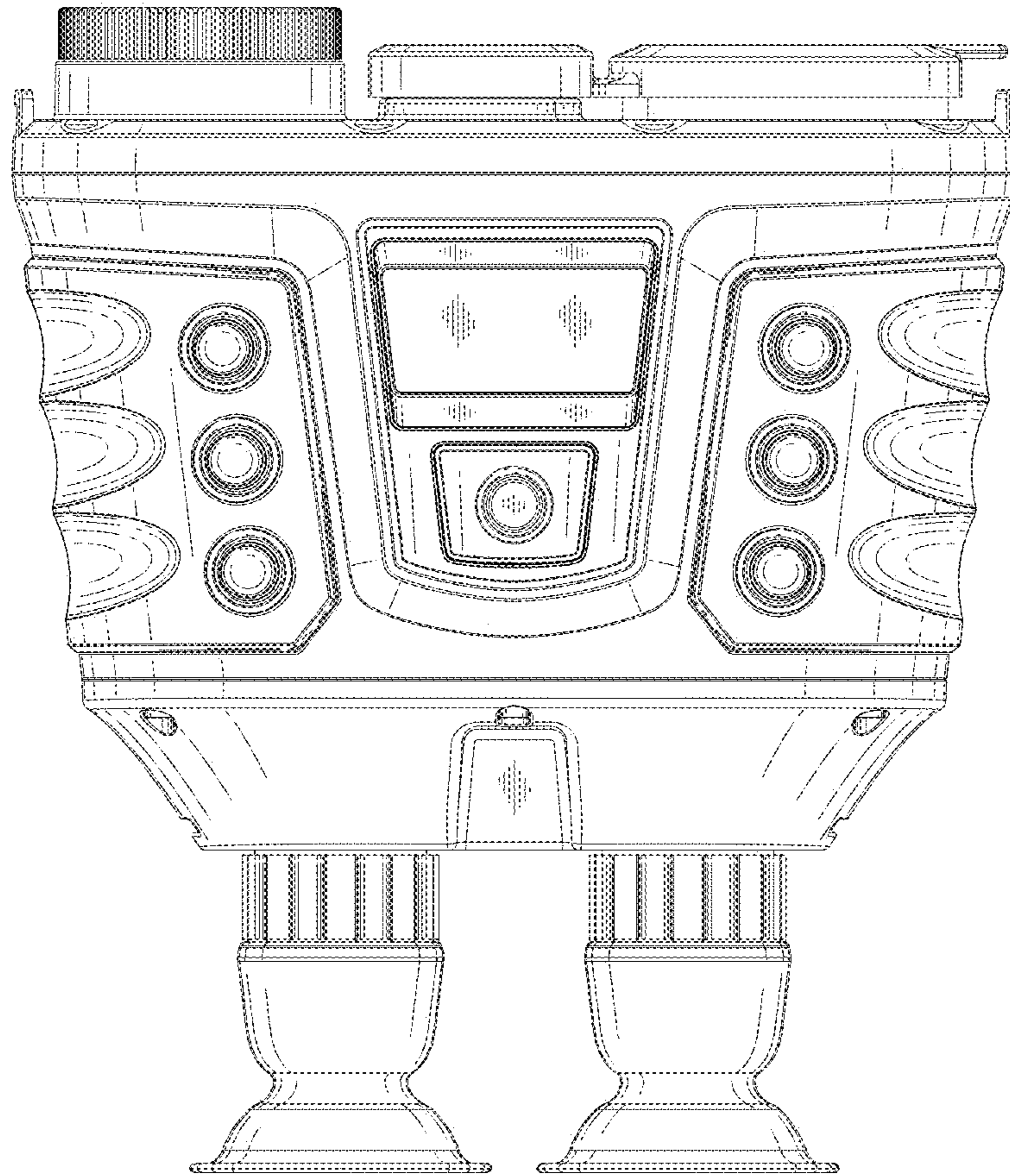


FIG.1

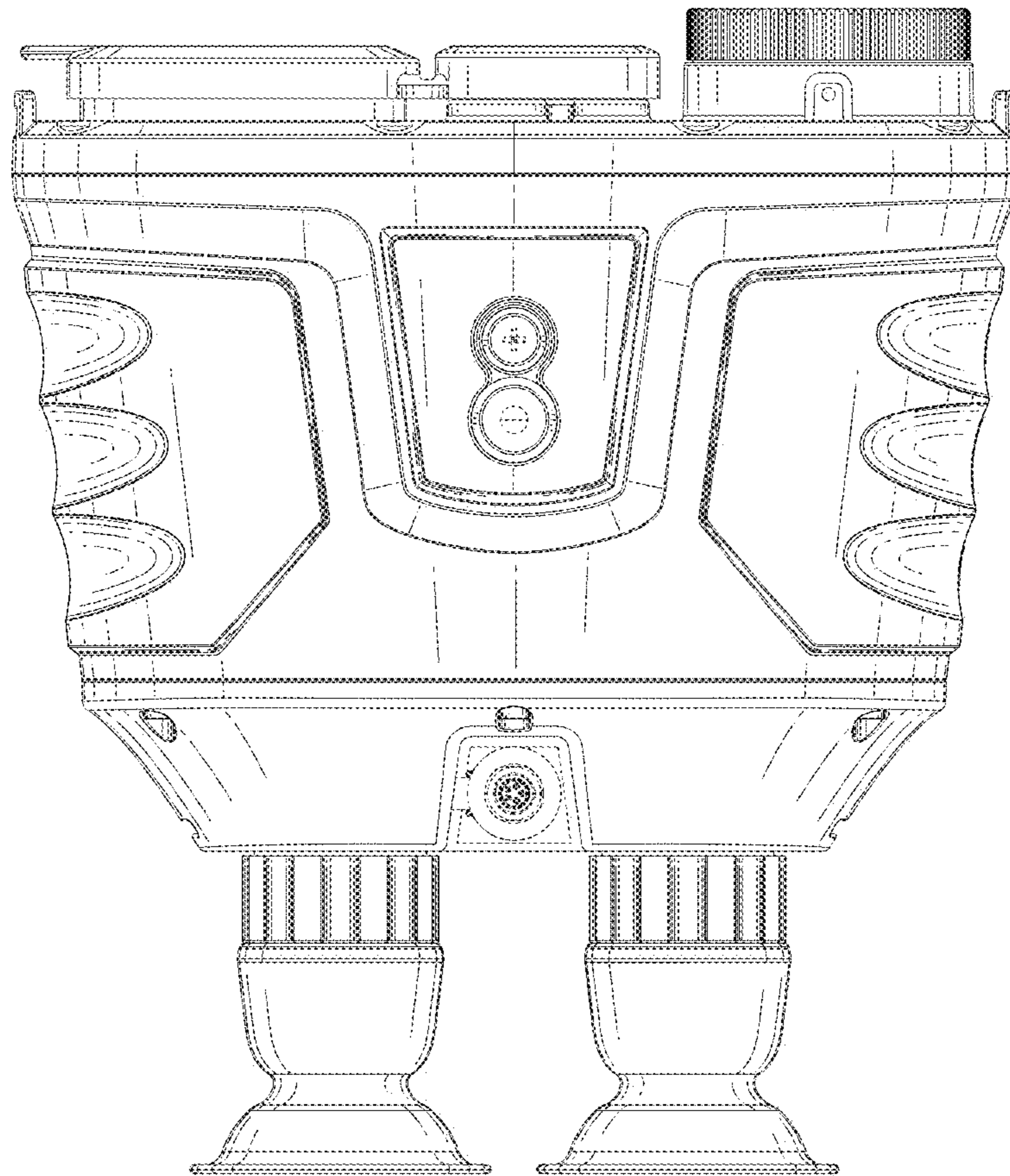


FIG.2

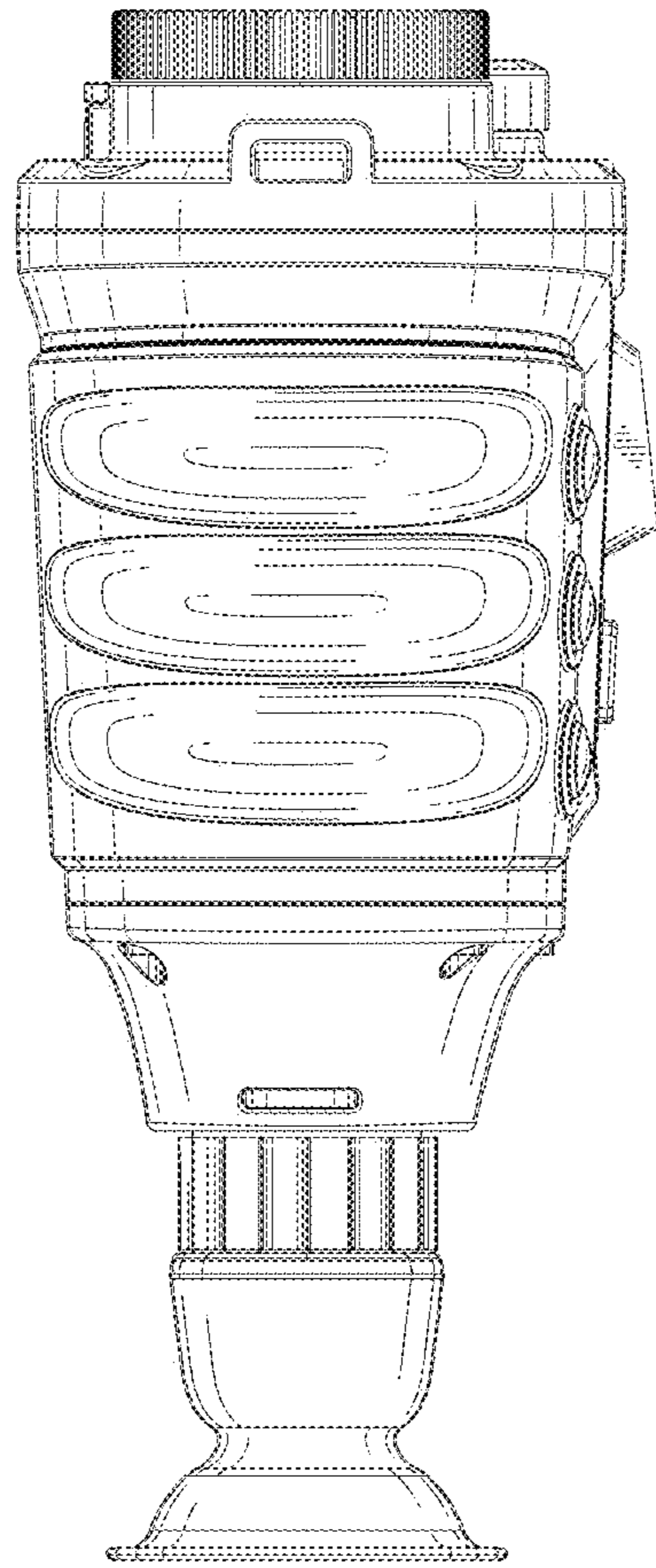


FIG.3

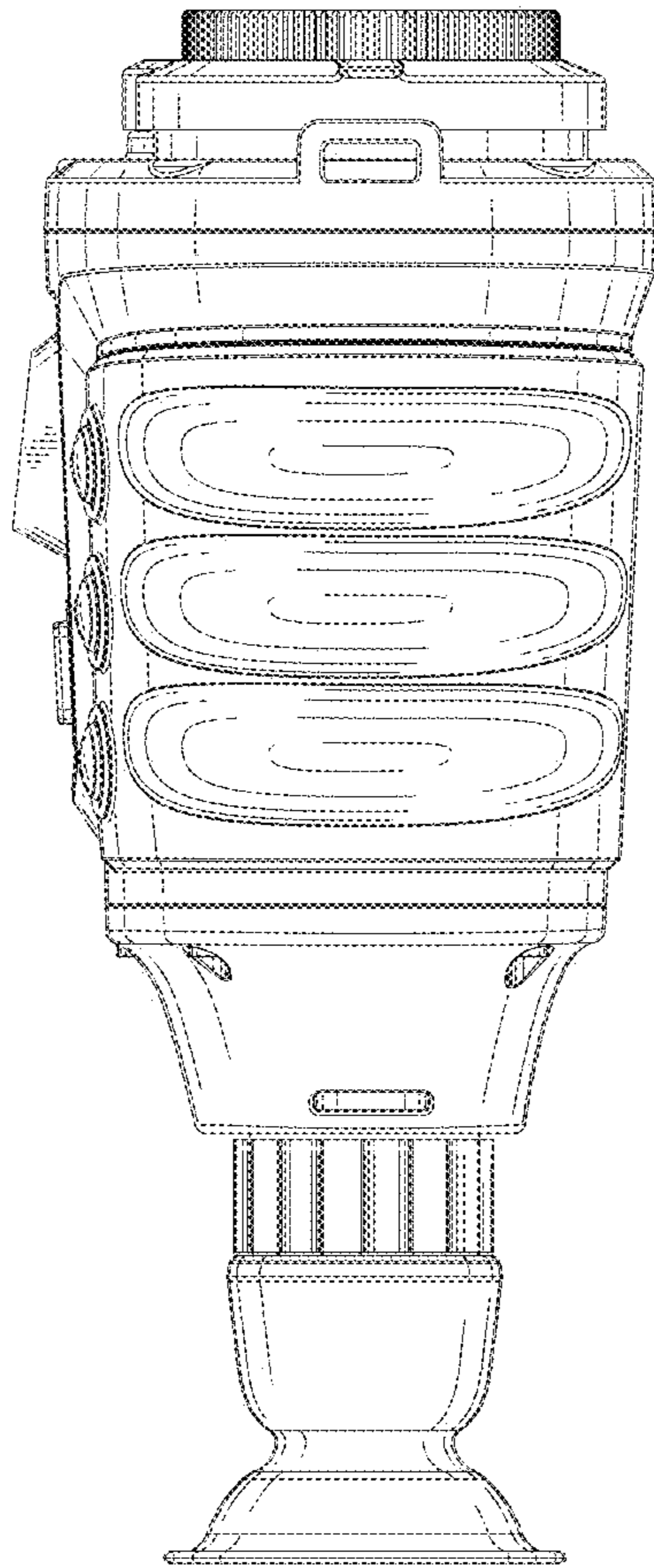


FIG.4

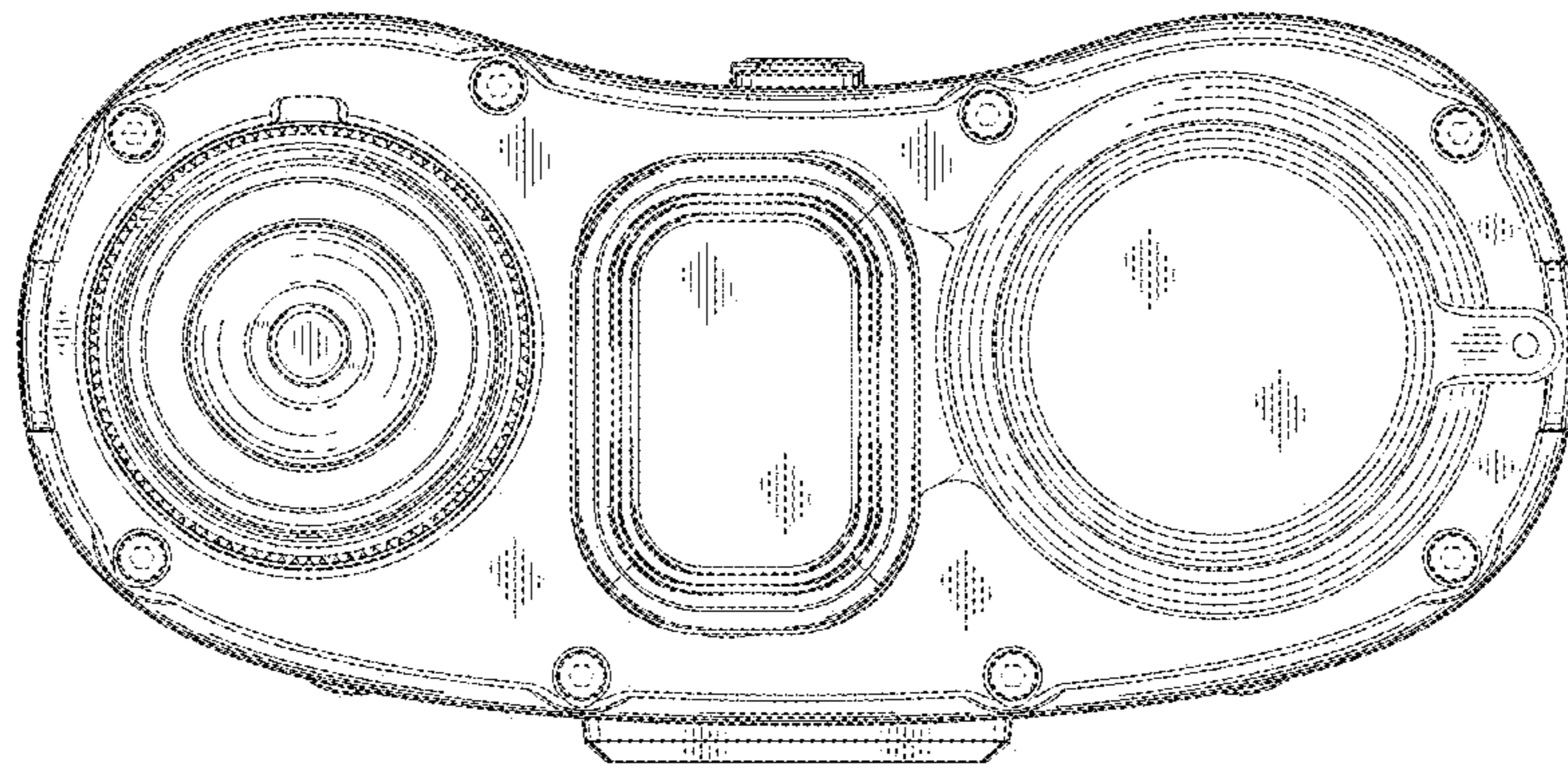


FIG.5

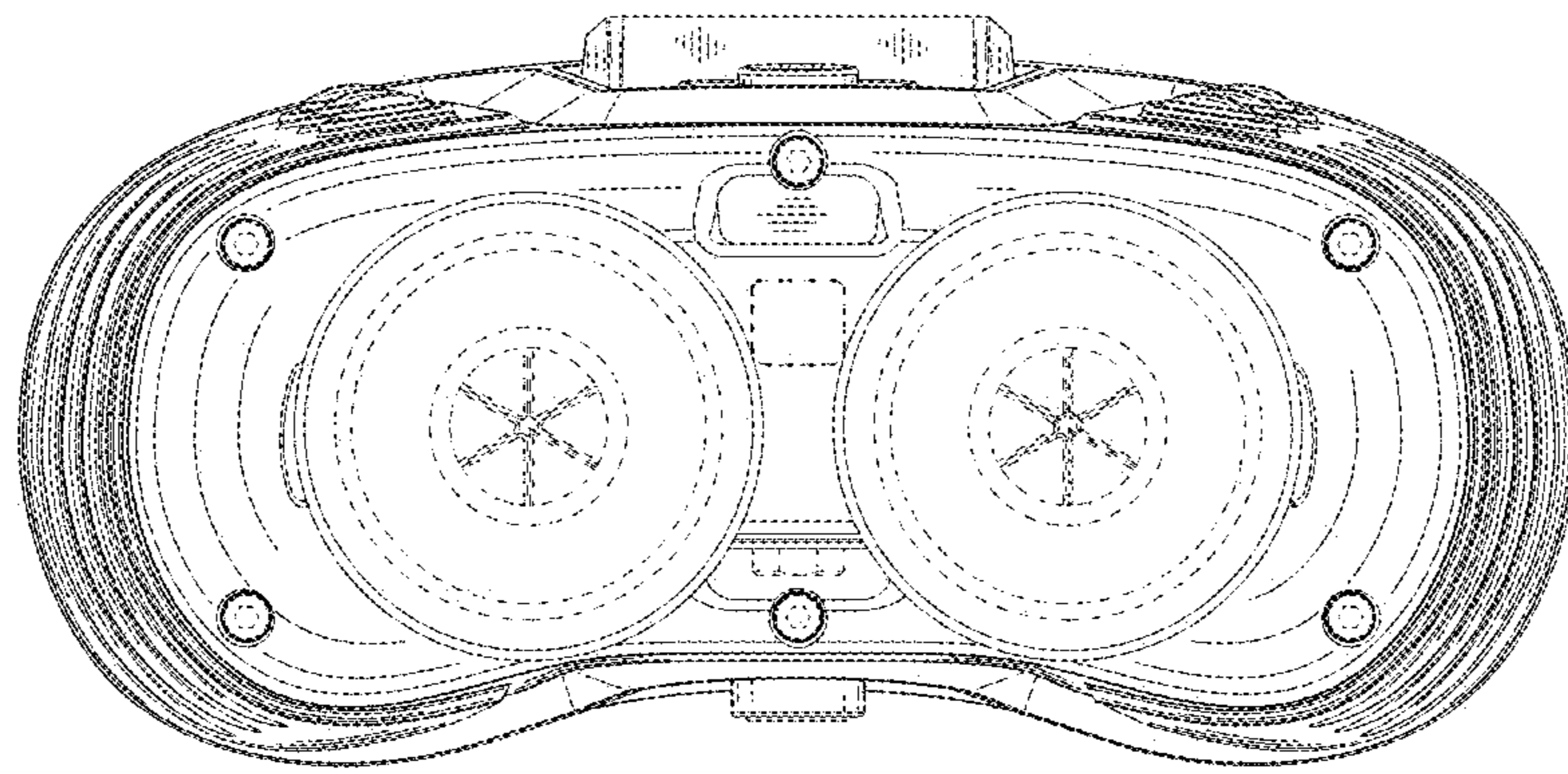


FIG.6

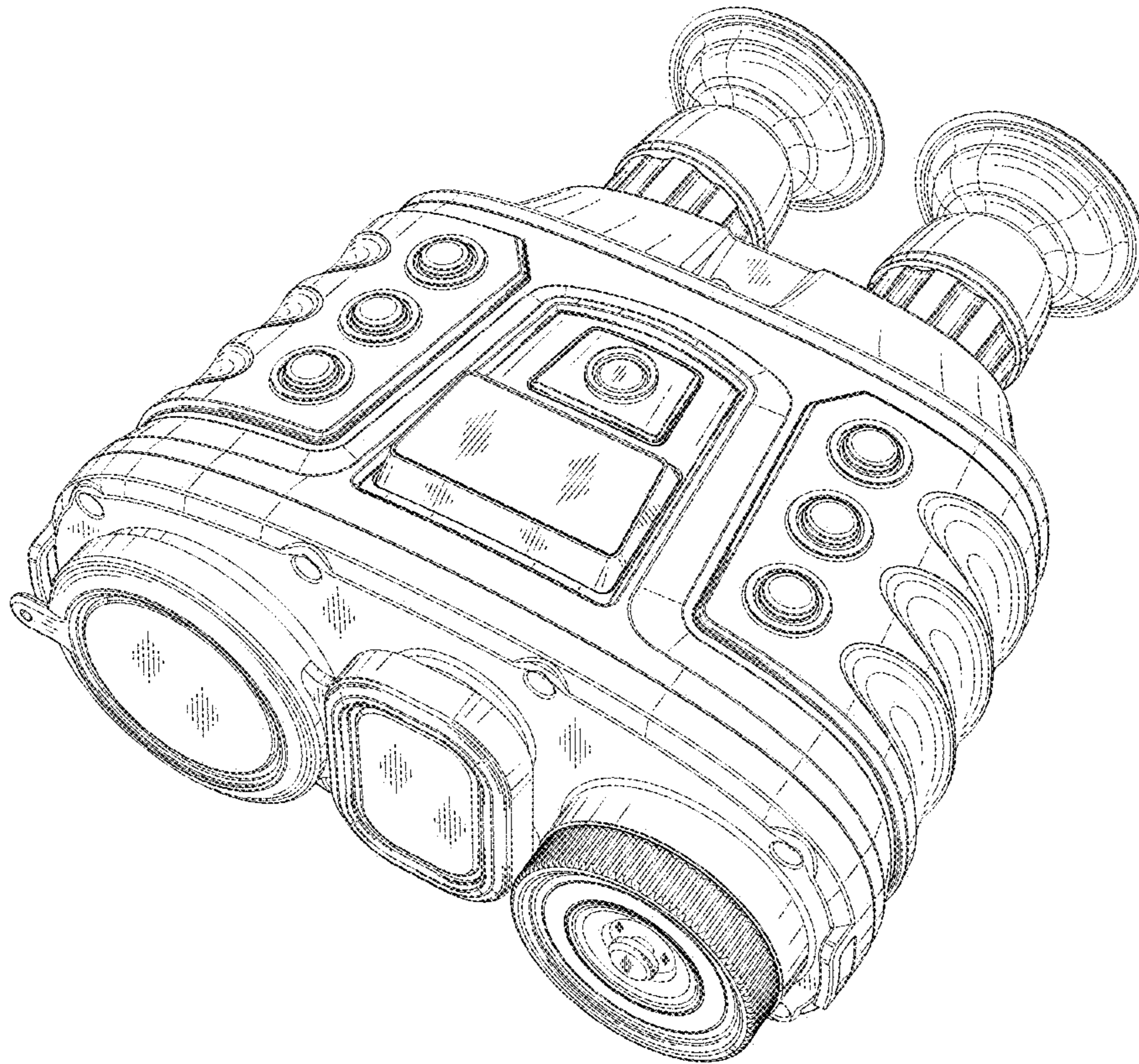


FIG.7