



US00D911409S

(12) **United States Design Patent**
Ou Yang et al.

(10) **Patent No.:** **US D911,409 S**

(45) **Date of Patent:** **** Feb. 23, 2021**

(54) **INDUSTRIAL ROBOT**

(71) Applicant: **Delta Electronics, Inc.**, Taoyuan (TW)

(72) Inventors: **Min-Min Ou Yang**, Taoyuan (TW);
Chih-Chi Lin, Taoyuan (TW); **Po-Yen Tseng**, Taoyuan (TW)

(73) Assignee: **DELTA ELECTRONICS, INC.**,
Taoyuan (TW)

(**) Term: **15 Years**

(21) Appl. No.: **29/720,722**

(22) Filed: **Jan. 15, 2020**

(51) **LOC (13) Cl.** **15-99**

(52) **U.S. Cl.**
USPC **D15/199**

(58) **Field of Classification Search**
USPC D15/122, 199; D21/578-583; D32/21;
D34/34
CPC B25J 5/007; B60B 19/006; B62D 57/024;
H01F 7/0221
See application file for complete search history.

(56) **References Cited**

U.S. PATENT DOCUMENTS

D343,630 S * 1/1994 Tomiyama D15/199
D410,660 S * 6/1999 Kawaguchi D15/199
D625,347 S * 10/2010 Feng D15/199
D800,199 S * 10/2017 Yang D15/199

D818,511 S * 5/2018 Li D15/199
D833,499 S * 11/2018 Wang D15/199
D839,942 S * 2/2019 Feng D15/199
D847,890 S * 5/2019 Liu D15/199
10,399,616 B2 * 9/2019 Ellerman A63H 33/26
D880,549 S * 4/2020 Nagayama D15/199
2015/0224640 A1 * 8/2015 Vu B25J 5/007
700/259

* cited by examiner

Primary Examiner — Patricia A Palasik

(74) *Attorney, Agent, or Firm* — Kirton McConkie; Evan R. Witt

(57) **CLAIM**

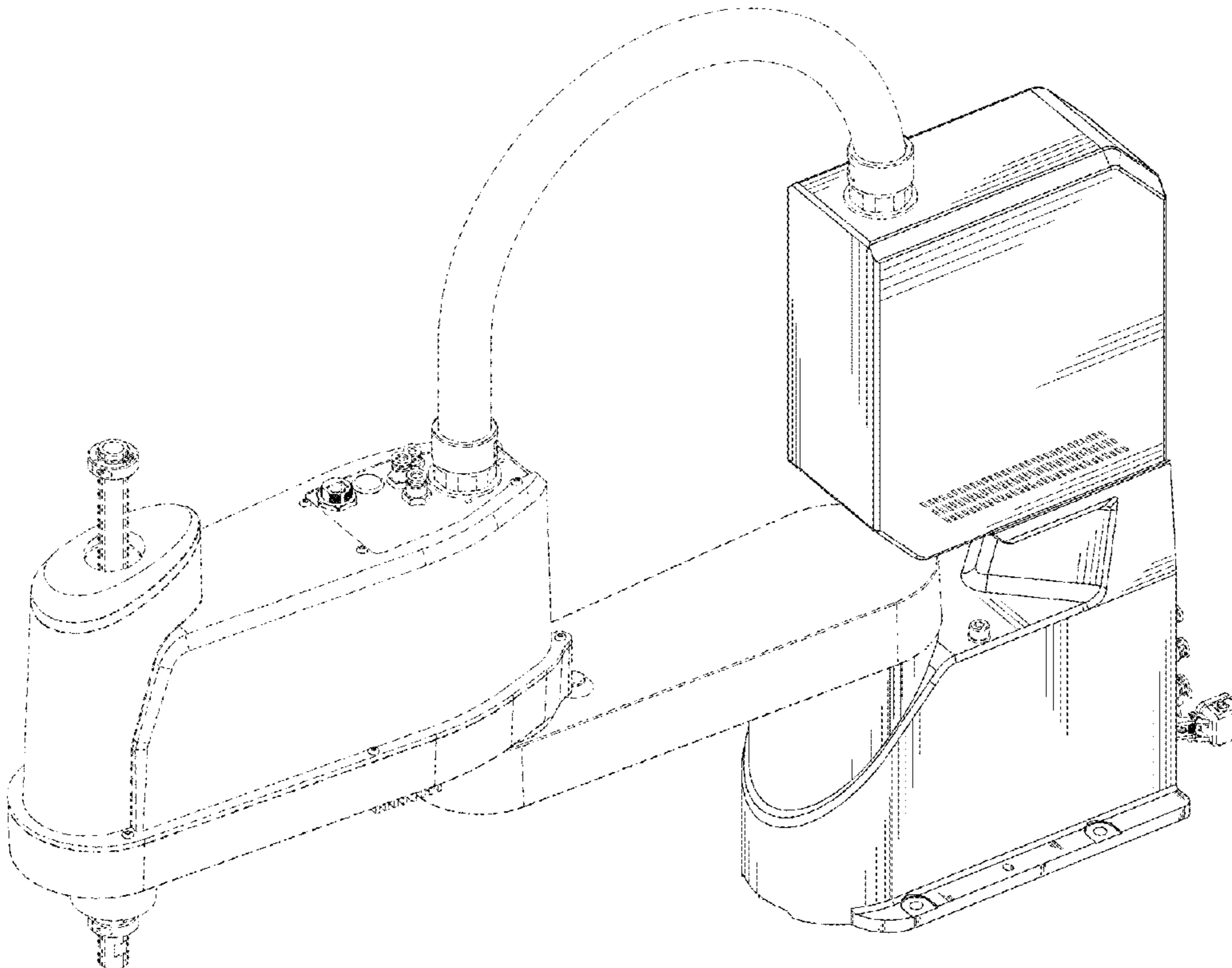
The ornamental design for an industrial robot, as shown and described.

DESCRIPTION

FIG. 1 is a front, top and left side perspective view of an industrial robot showing our new design; FIG. 2 is a rear, top and right side perspective view thereof; FIG. 3 is a front elevational view thereof; FIG. 4 is a rear elevational view thereof; FIG. 5 is a left side elevational view thereof; FIG. 6 is a right side elevational view thereof; FIG. 7 is a top plan view thereof; and, FIG. 8 is a bottom plan view thereof.

The broken line portions in the drawing views are included to show portions of the industrial robot only and form no part of the claimed design.

1 Claim, 6 Drawing Sheets



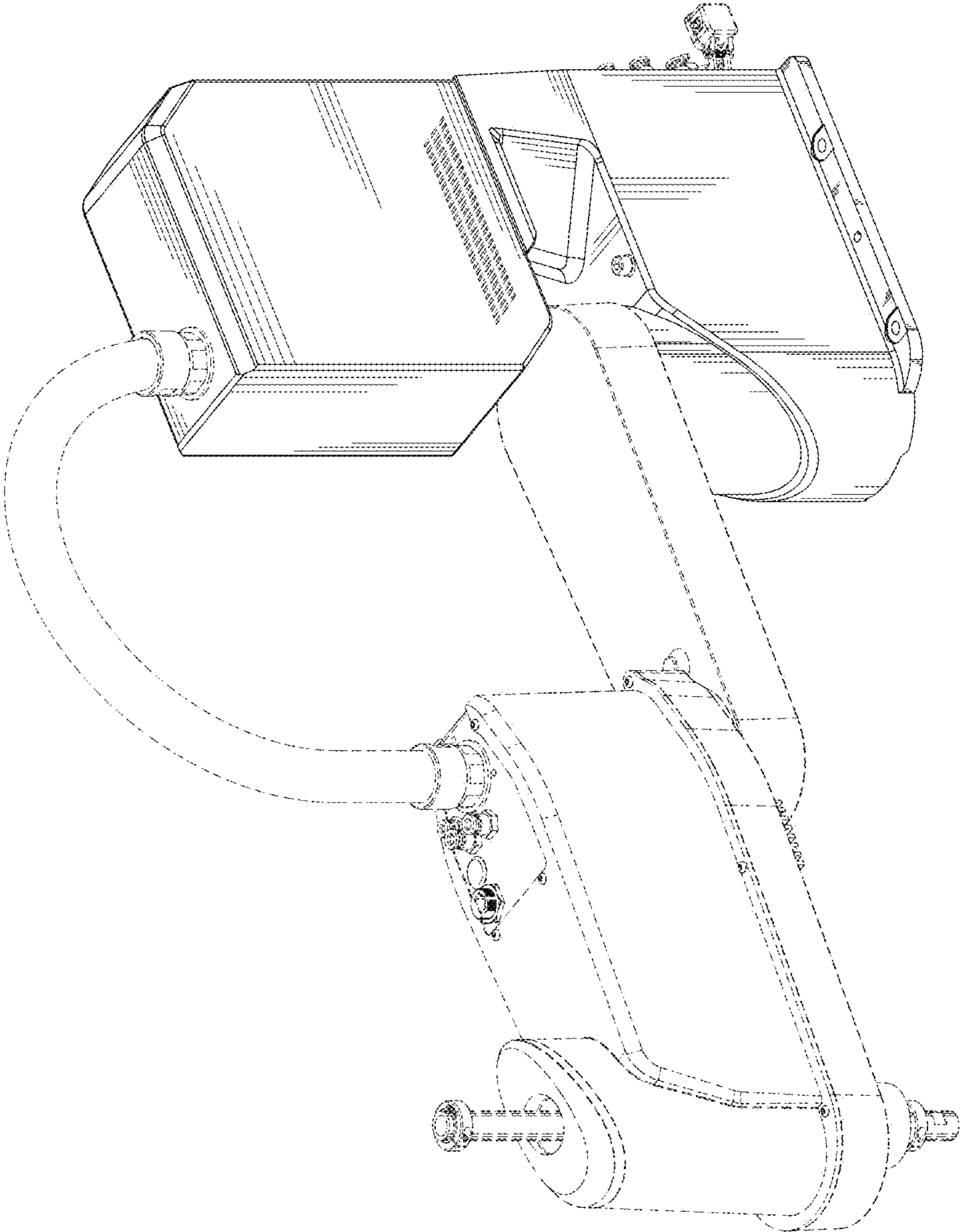


FIG. 1

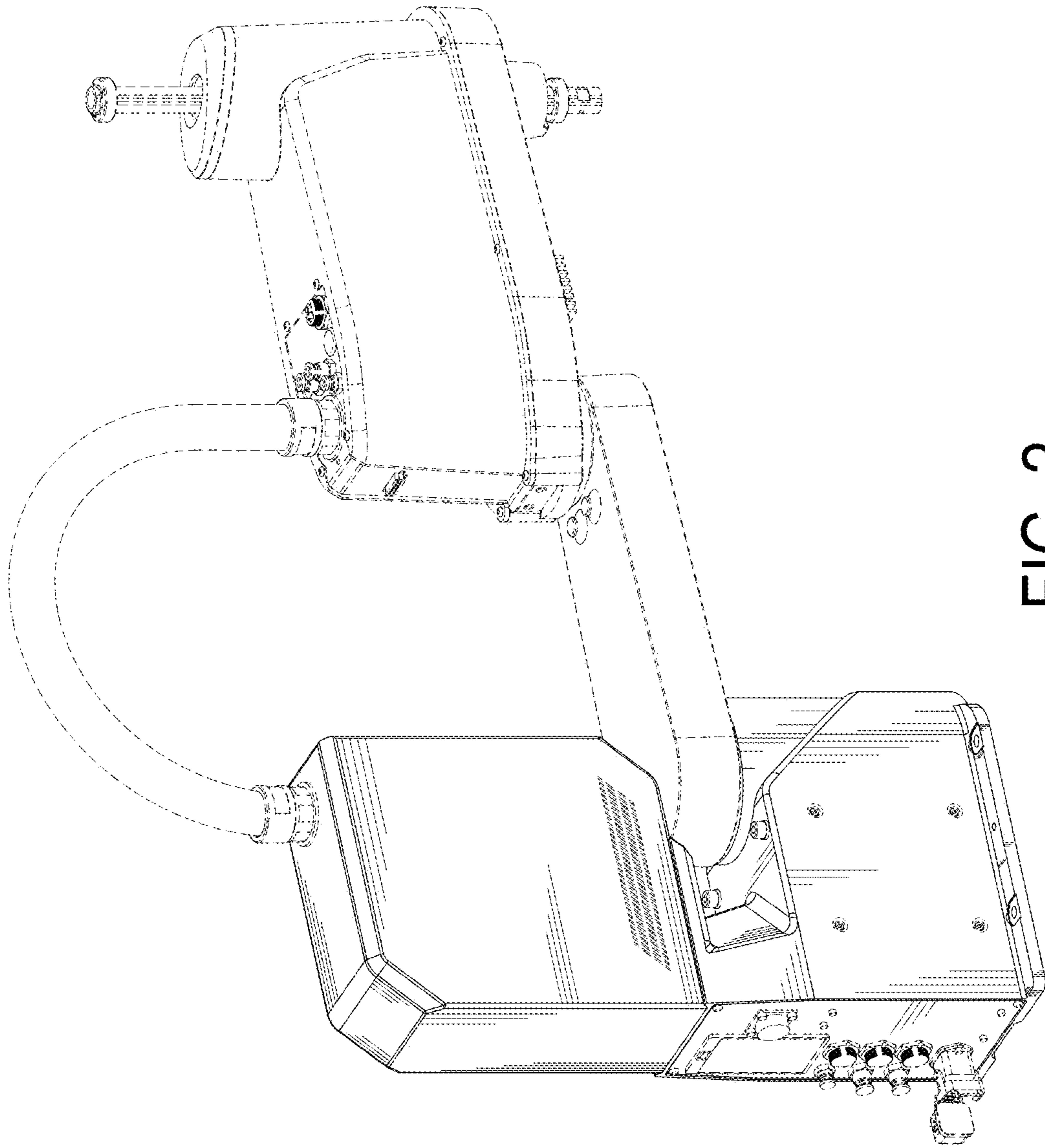


FIG. 2

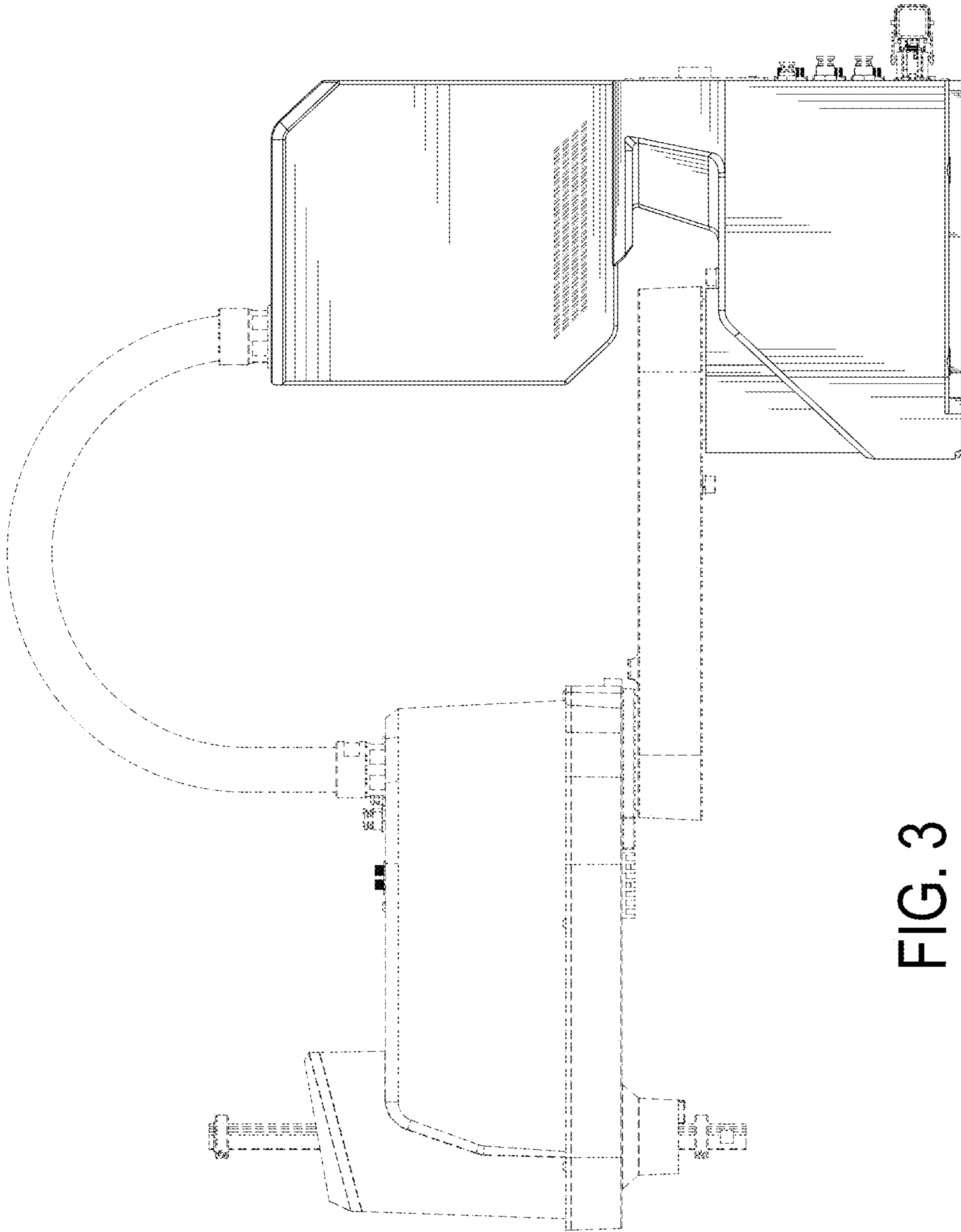
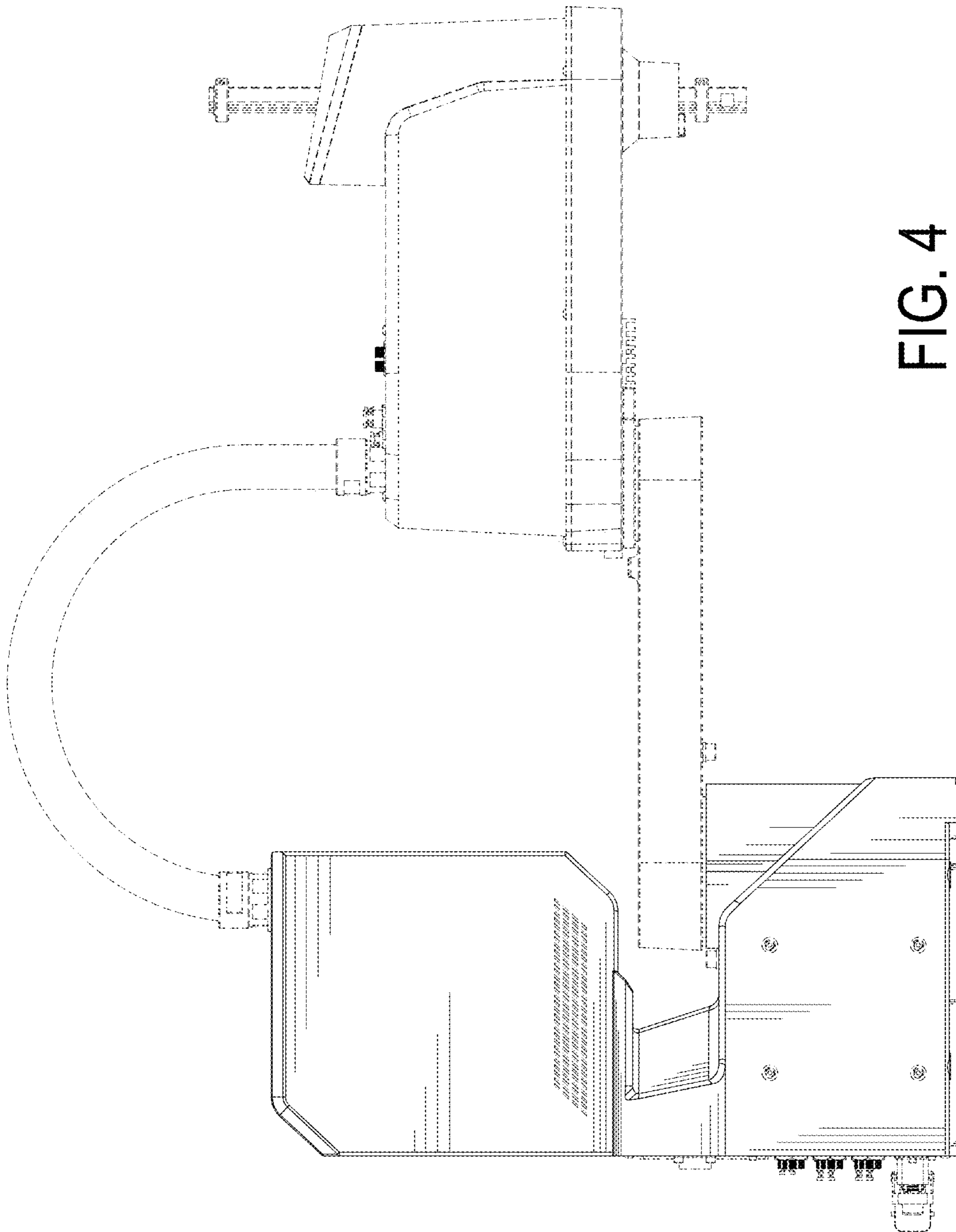


FIG. 3



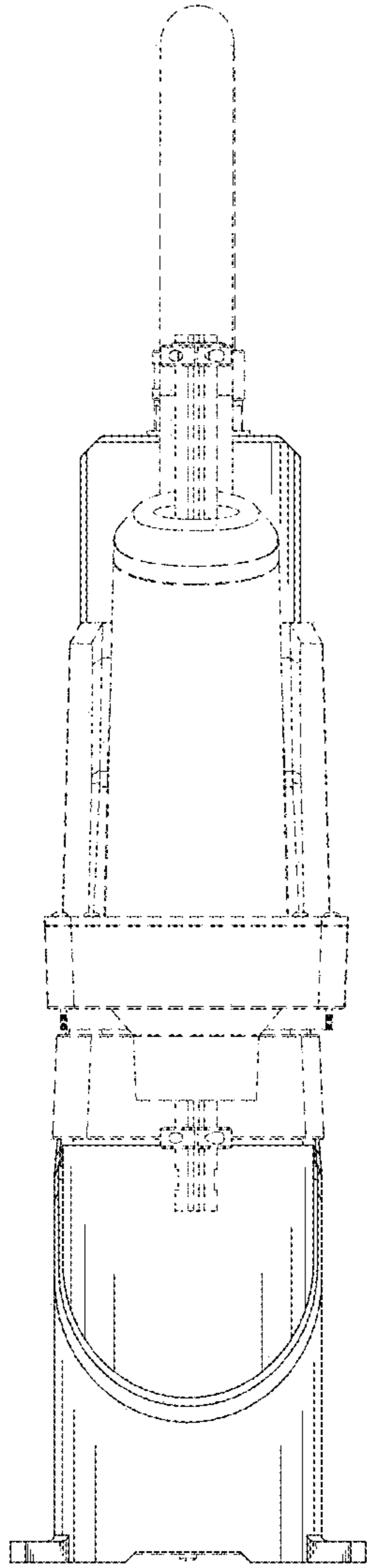


FIG. 5

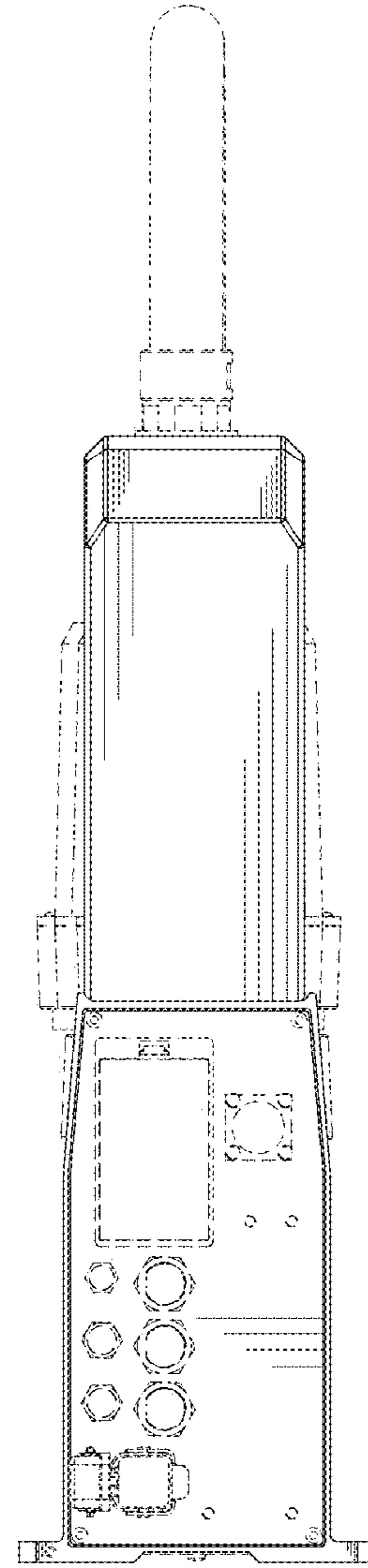


FIG. 6

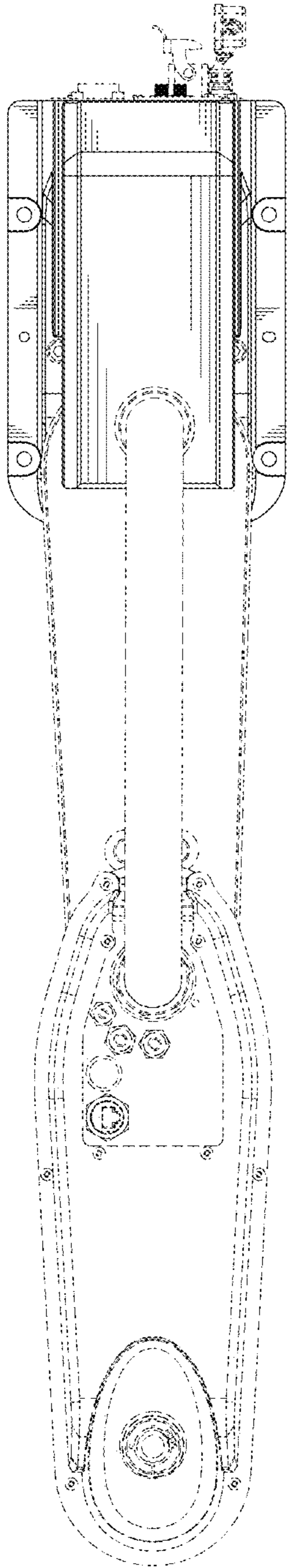


FIG. 7

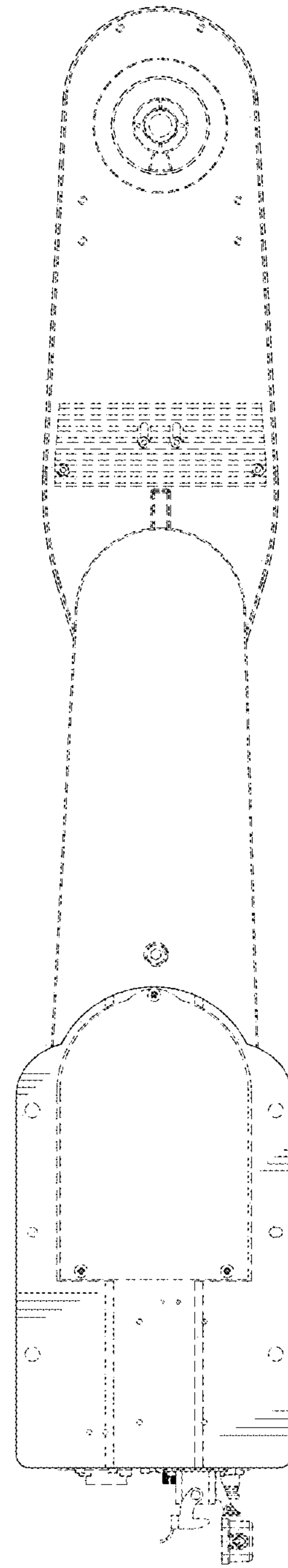


FIG. 8