



US00D911408S

(12) **United States Design Patent** (10) **Patent No.:** **US D911,408 S**
Okada et al. (45) **Date of Patent:** **** Feb. 23, 2021**

- (54) **INDUSTRIAL ROBOT**
- (71) Applicant: **NACHI-FUJIKOSHI CORP.**, Tokyo (JP)
- (72) Inventors: **Toshinori Okada**, Toyama (JP); **Shinya Sasaki**, Tokyo (JP)
- (73) Assignee: **NACHI-FUJIKOSHI CORP.**, Tokyo (JP)
- (**) Term: **15 Years**
- (21) Appl. No.: **29/715,858**
- (22) Filed: **Dec. 5, 2019**
- (30) **Foreign Application Priority Data**
 Jun. 12, 2019 (JP) 2019-012889
- (51) **LOC (13) Cl.** **15-99**
- (52) **U.S. Cl.**
 USPC **D15/199**
- (58) **Field of Classification Search**
 USPC D15/122, 199; D21/578-583; D32/21; D34/34
 CPC B25J 9/046; B25J 9/042; B25J 9/06; H01L 21/67766
 See application file for complete search history.

- D344,280 S * 2/1994 Koyama D15/199
- D410,477 S * 6/1999 Nihei D15/199
- D440,241 S * 4/2001 Kawahara D15/199
- D443,287 S * 6/2001 Kawahara D15/199
- D444,488 S * 7/2001 Selic D15/199
- D449,057 S * 10/2001 Selic D15/199
- D615,574 S * 5/2010 Liu D15/199
- D616,477 S * 5/2010 Long D15/199

(Continued)

FOREIGN PATENT DOCUMENTS

JP D1591008 S 11/2017

OTHER PUBLICATIONS

English Translation of Notification of Reasons for Rejection issued in Japanese Design Application No. 2019-012889 dated Dec. 6, 2019; 1 page.

(Continued)

Primary Examiner — Patricia A Palasik
(74) *Attorney, Agent, or Firm* — Cantor Colburn LLP

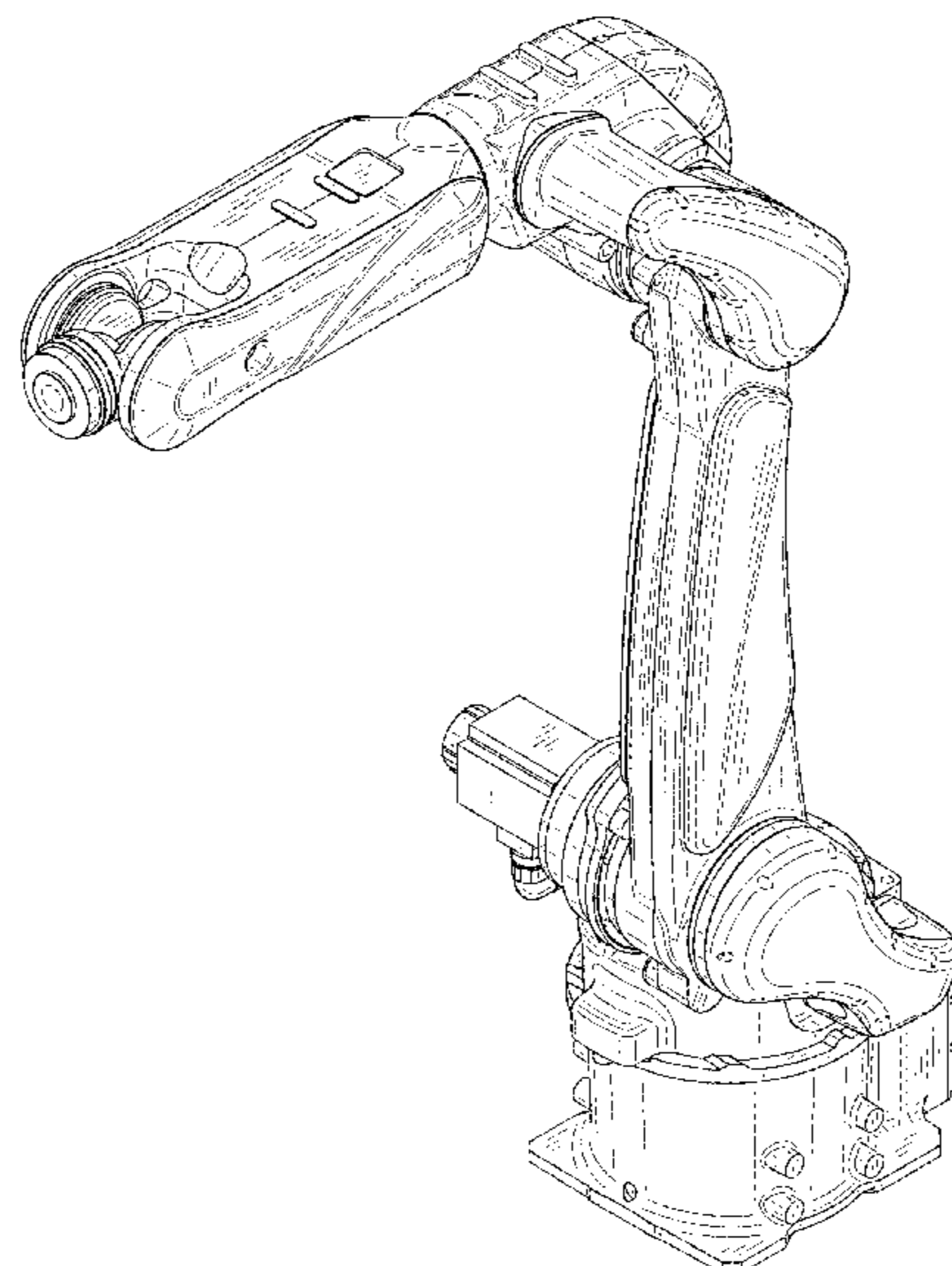
(57) **CLAIM**

The ornamental design for an industrial robot, as shown and described.

DESCRIPTION

FIG. 1 is a front, top and right side perspective view of an industrial robot showing our new design; FIG. 2 is a rear, top and left side perspective view thereof; FIG. 3 is a front view thereof; FIG. 4 is a rear view thereof; FIG. 5 is a top plan view thereof; FIG. 6 is a bottom plan view thereof; FIG. 7 is a right side view thereof; and, FIG. 8 is a left side view thereof. The broken lines illustrate portions of the industrial robot that form no part of the claimed design.

1 Claim, 8 Drawing Sheets



(56)

References Cited

U.S. PATENT DOCUMENTS

D616,909 S * 6/2010 Long D15/199
 D624,104 S * 9/2010 Miyake D15/199
 7,810,765 B2 * 10/2010 Burlot H02G 3/0481
 248/75
 D629,030 S * 12/2010 Long D15/199
 D636,803 S * 4/2011 Nakagiri D15/199
 D650,820 S * 12/2011 Long D15/199
 D651,627 S * 1/2012 Long D15/199
 D678,378 S * 3/2013 Selic D15/199
 D681,708 S * 5/2013 Miyake D15/199
 8,434,387 B2 * 5/2013 Nakagiri B25J 9/104
 74/665 R
 D690,753 S * 10/2013 Liu D15/199
 D707,277 S * 6/2014 Olsson D15/199
 D713,436 S * 9/2014 Liu D15/199
 D766,348 S * 9/2016 Long D15/199
 D769,343 S * 10/2016 Bordegnoni D15/199
 D769,954 S * 10/2016 Kinoshita D15/199
 D778,971 S * 2/2017 Long D15/199

D802,041 S * 11/2017 He D15/199
 D837,294 S * 1/2019 Ciniello D19/59
 D841,707 S * 2/2019 Yamamoto D15/199
 D852,863 S * 7/2019 Dosho D15/199
 D865,828 S * 11/2019 Bogart D15/199
 D870,169 S * 12/2019 Dosho D15/199
 D877,787 S * 3/2020 Kinoshita D15/199
 D881,251 S * 4/2020 Abe D15/199
 2005/0092122 A1 * 5/2005 Markert B25J 19/0075
 74/490.01
 2005/0126327 A1 * 6/2005 Markert B25J 19/0054
 74/490.02
 2008/0271561 A1 * 11/2008 Ohara B25J 9/0018
 74/490.01

OTHER PUBLICATIONS

Notification of Reasons for Rejection issued in Japanese Design
 Application No. 2019-012889 dated Dec. 6, 2019; 2 pages.

* cited by examiner

FIG.1

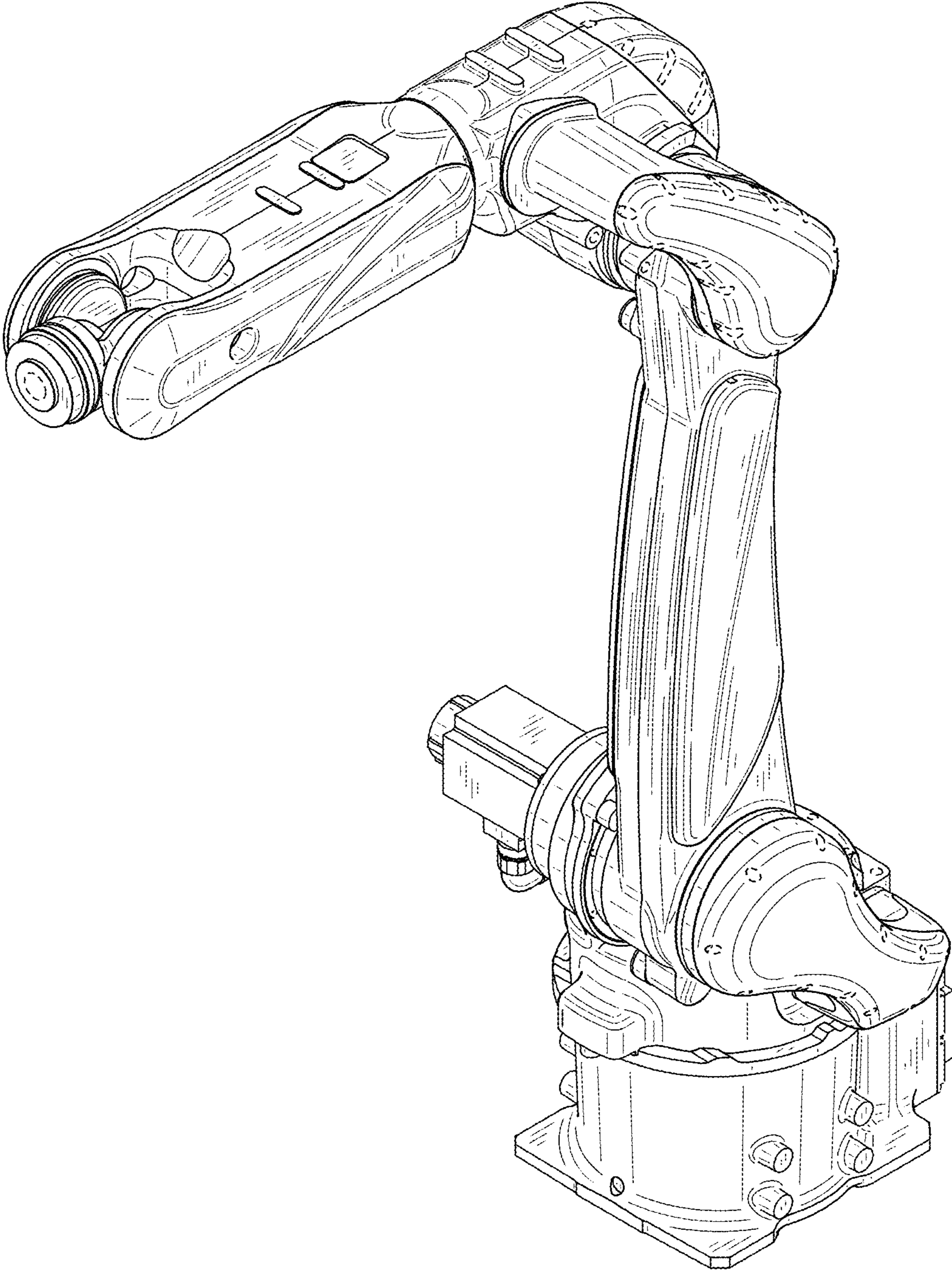


FIG.2

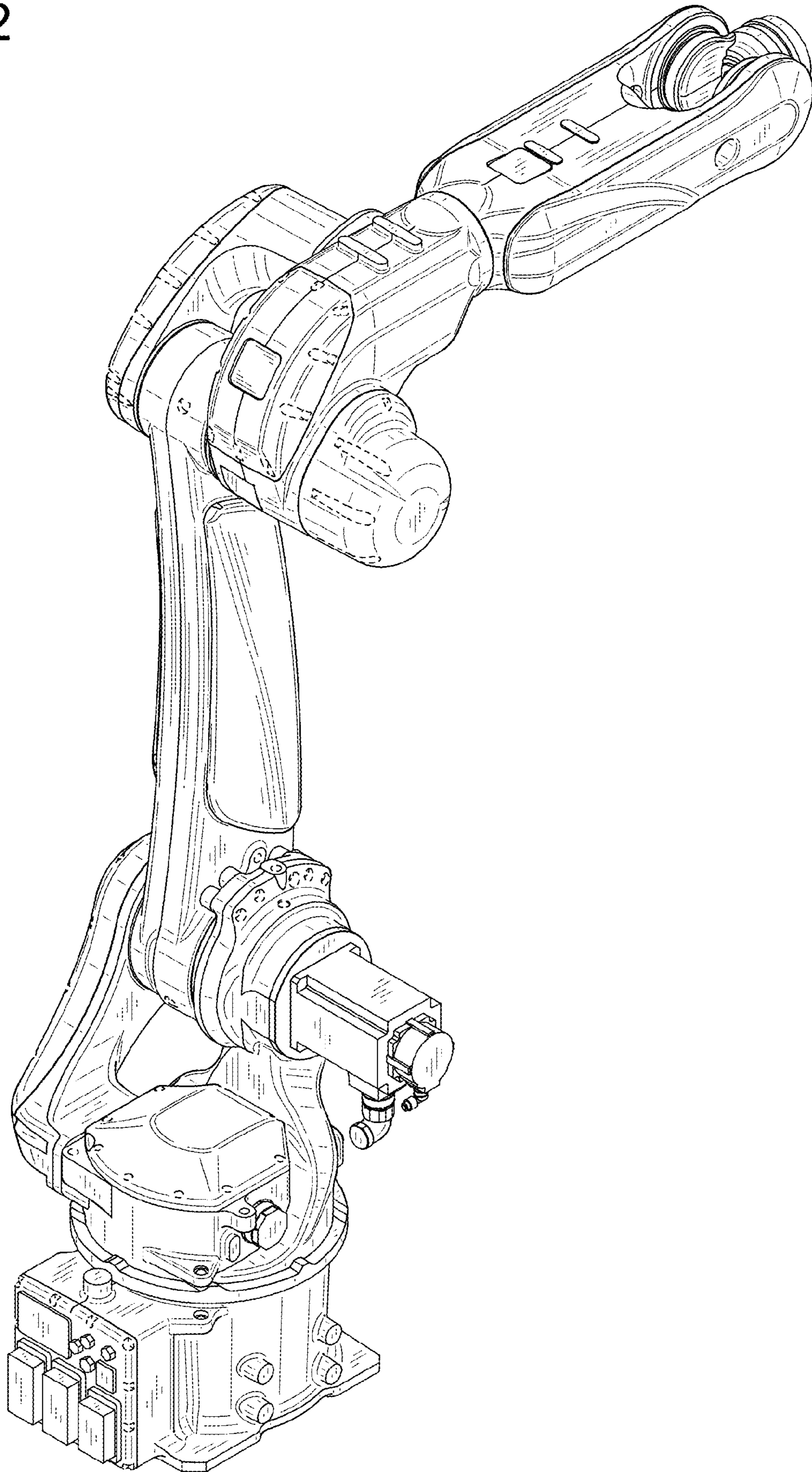


FIG.3

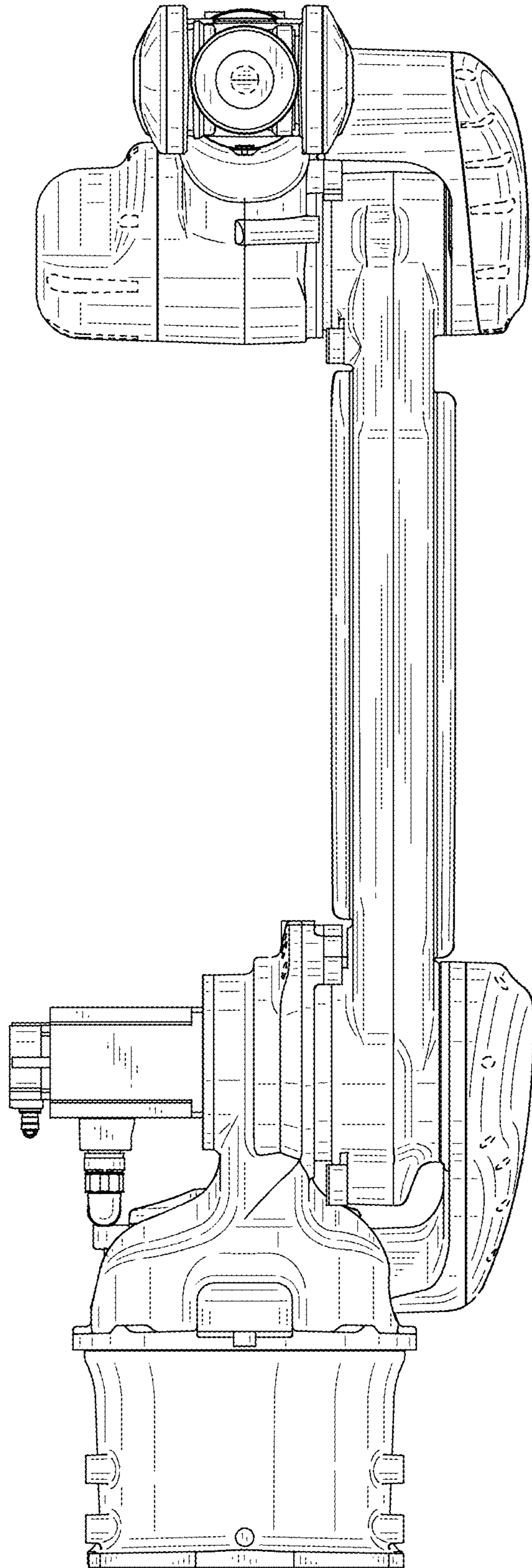


FIG.4

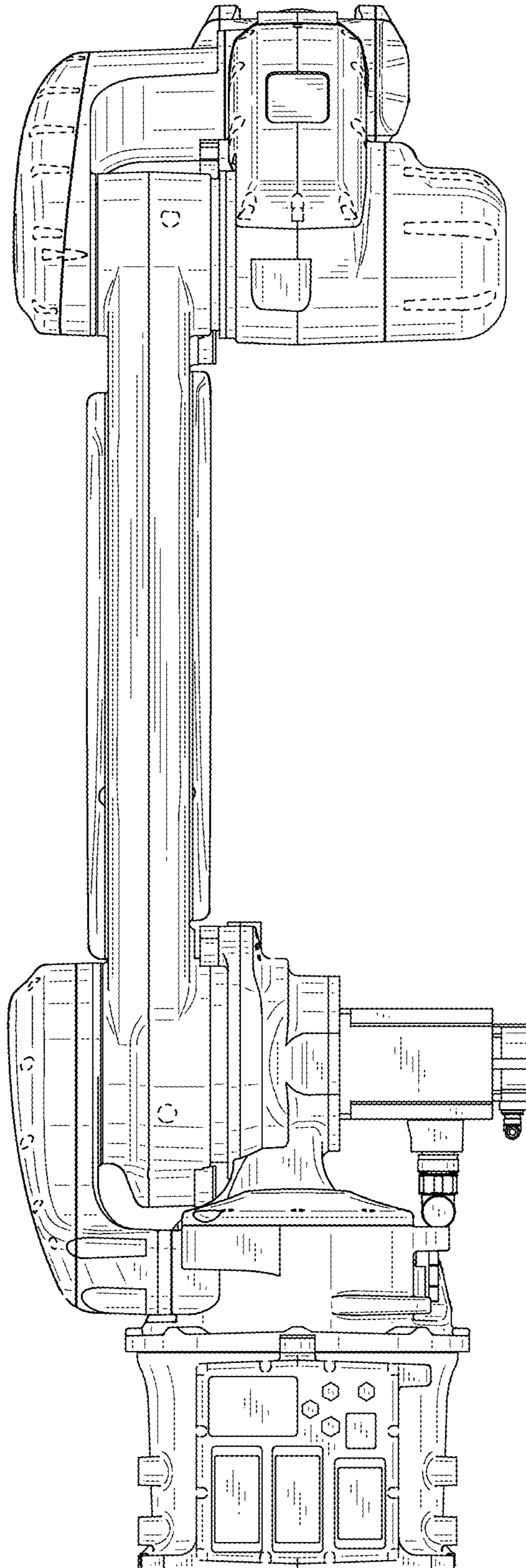


FIG.5

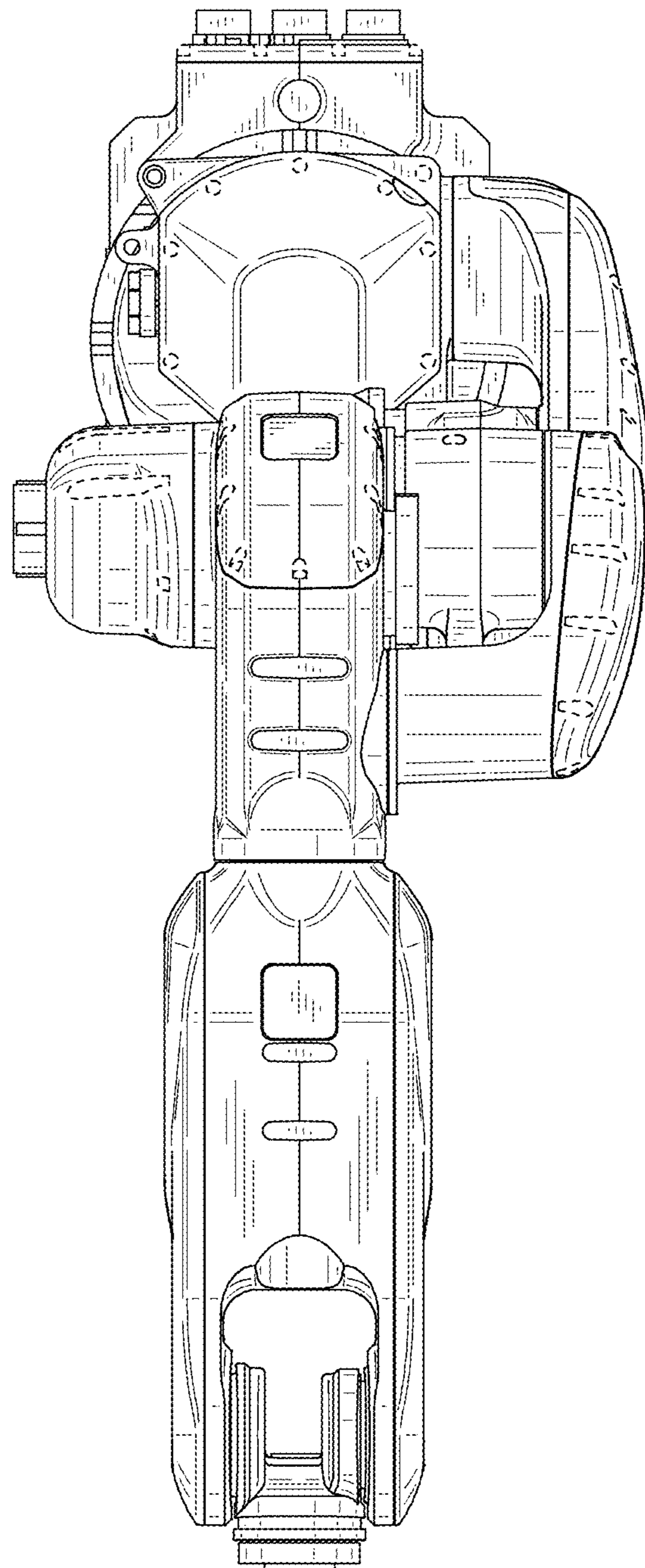


FIG.6

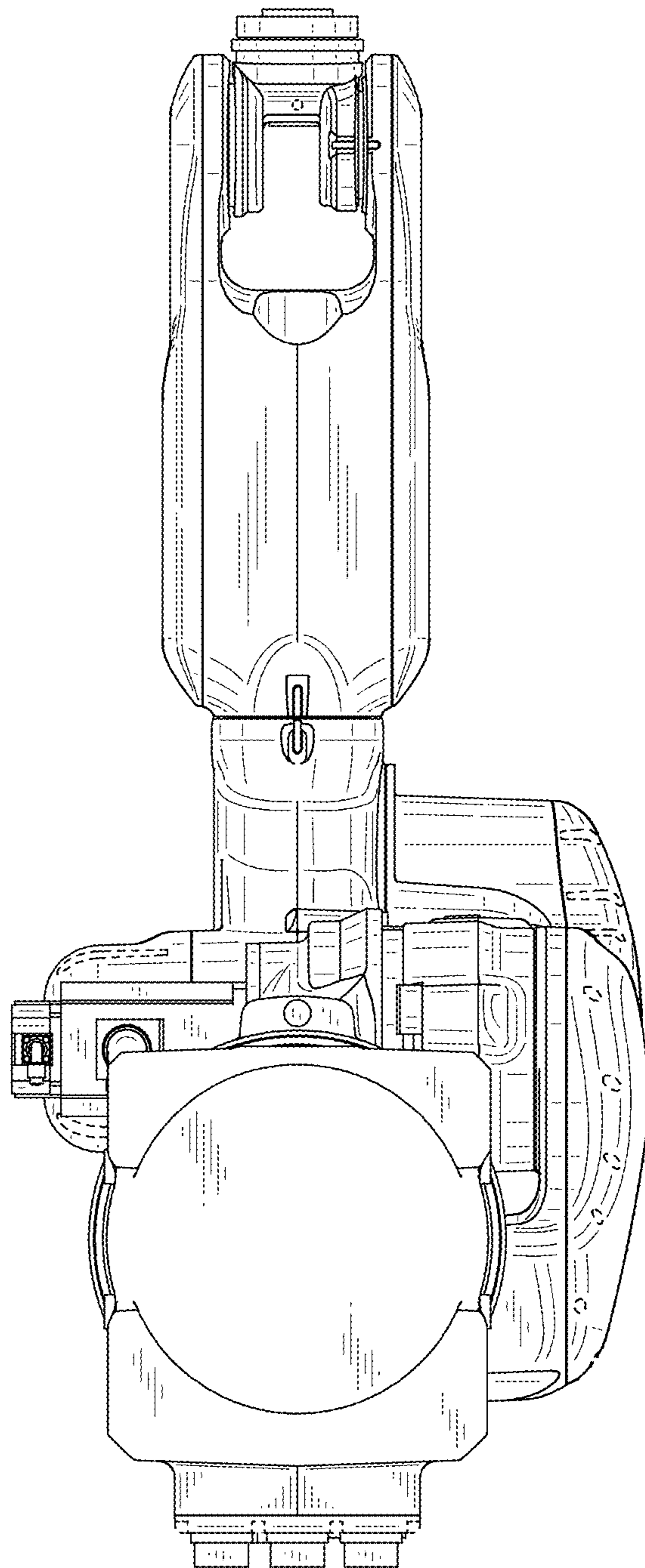


FIG.7

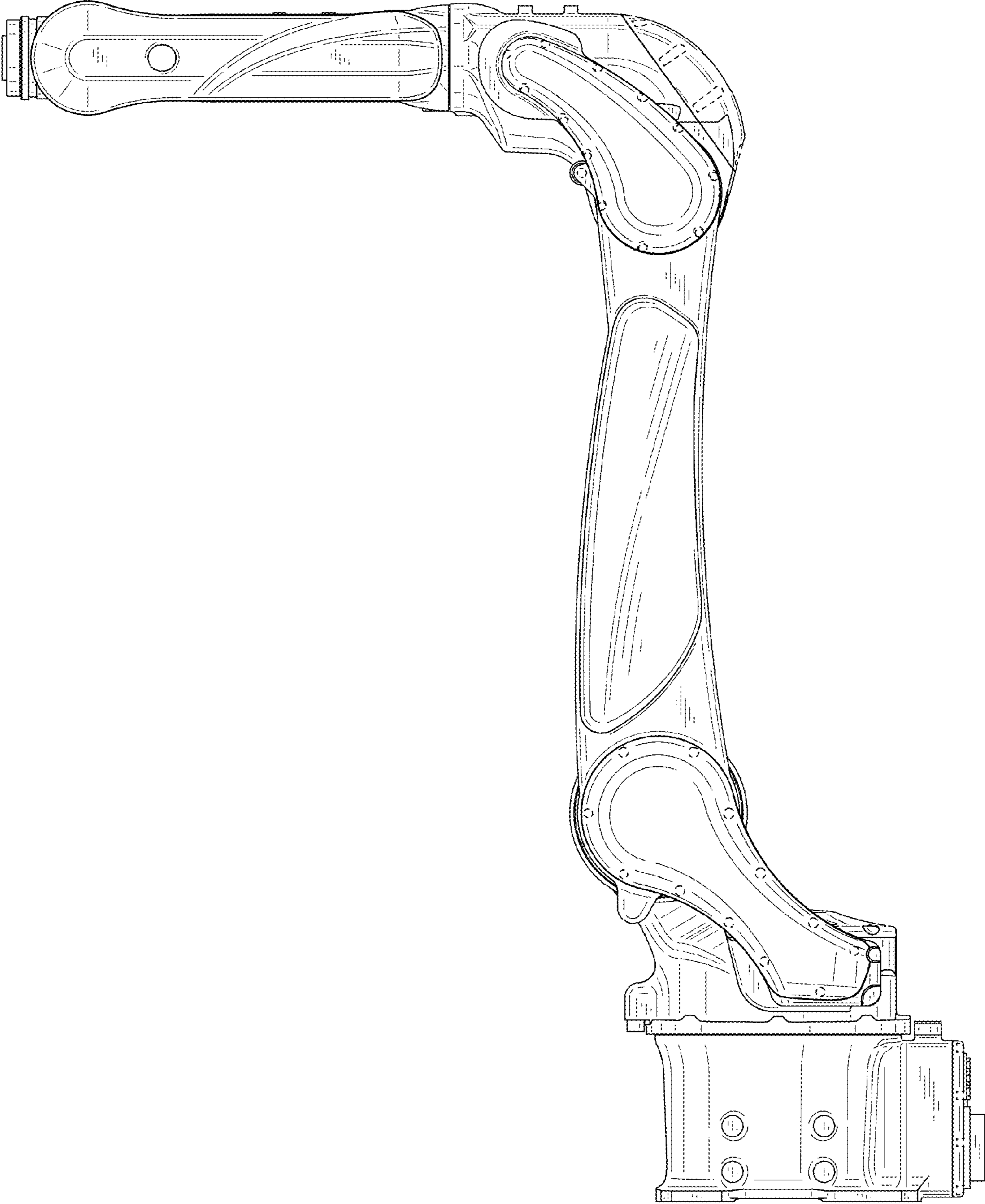


FIG.8

